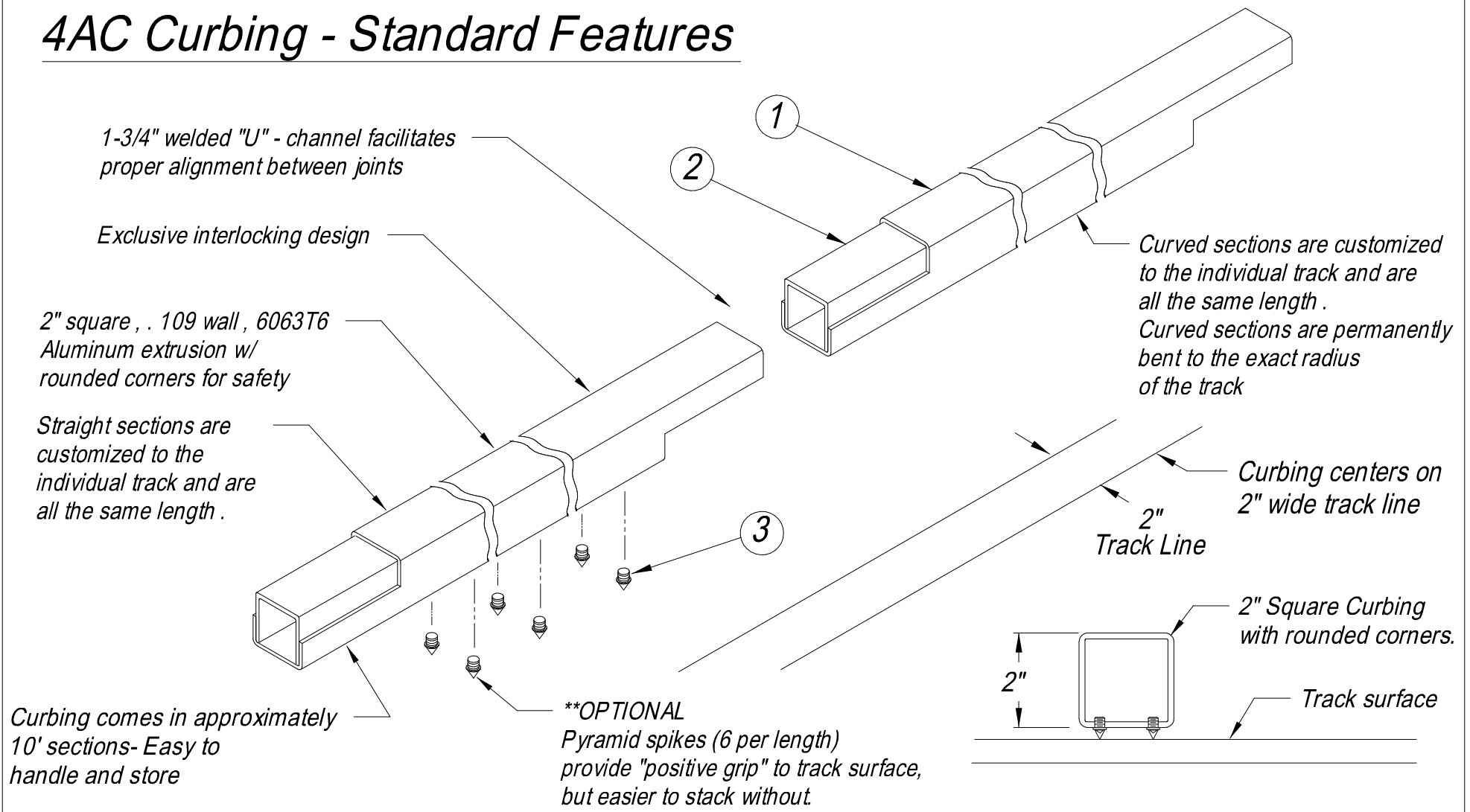


4AC Curbing - Standard Features



PARTS LIST

Item	Description	Qty
1	2" x 2" x .109 wall 6063T6 aluminum extrusion with rounded outside corners	*
2	1-3/4" x 1-3/4" x .125" square cornered aluminum "U"- Channel, 6061 T6	*
3	Pyramid spikes	*

* Amount is calculated in linear feet for length of curb ordered. A normal 200m indoor track has approximately 662 linear feet of 2" x 2" curb, 10 linear feet of "U"-channel, and 400 pyramid spikes.



**ALUMINUM
ATHLETIC
EQUIPMENT**

4 Portland Road, West Conshohocken, PA 19428
Phone: (215)-825-6565 Toll-free: 1-800-523-5471

DESCRIPTION			
4AC CURBING - STANDARD FEATURES			
MODEL NO.	4AC	ITEM	DATE: 2/5/99
DWN. BY:	REV. 3/3/03	DWG. NO.	AAE-148

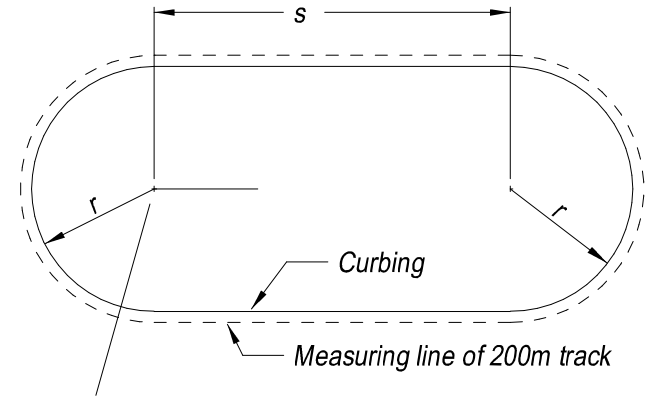
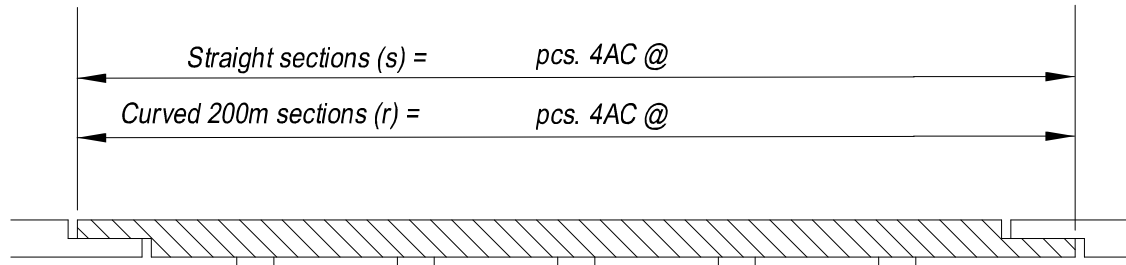
NUMBER/LENGTH OF STRAIGHT SECTIONS (s)

s =

NUMBER/LENGTH OF CURVED 200M SECTIONS (r)

r =

NUMBER / LENGTH OF SECTIONS



TRACK SPECIFICATIONS:

1) Length of straightaway, s = _____

2) Main Track 200m radius, r = _____

Note: All radii listed are to the inside face of the planned 4AC curb.

LINEAR FEET OF CURBING:

1) Straightaways (s) = _____

2) Curved 200m (r) = _____

TOTAL LINEAR FOOTAGE = _____

P.O. # _____ DATE: _____ BY: _____



ALUMINUM
ATHLETIC
EQUIPMENT

4 Portland Road, West Conshohocken, PA 19428
Phone: (610)-825-6565 Toll-free: 1-800-523-5471

DESCRIPTION

4AC Curbing Calculation Sheet

FOR:

DWN. BY:

S/C
1

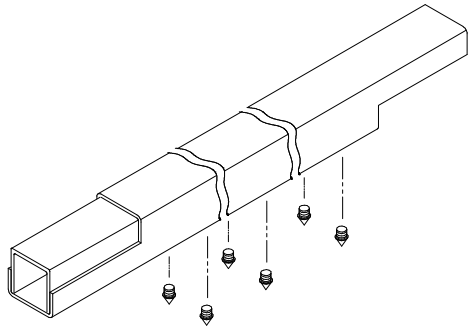
DATE:

DWG.NO.

AAE-83

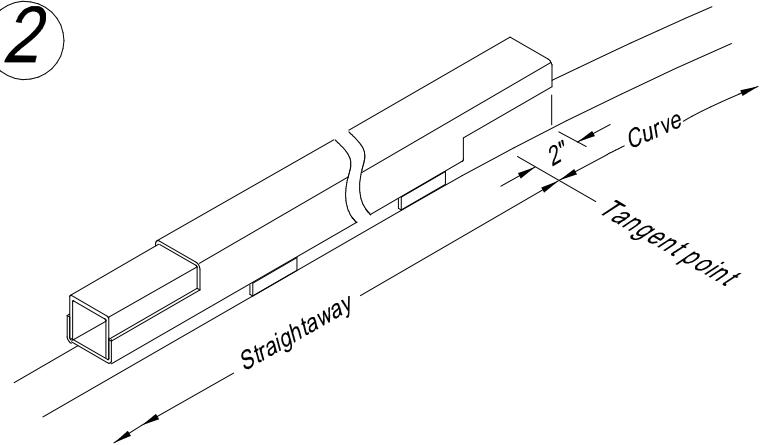
4AC Curbing - Installation Instructions

1

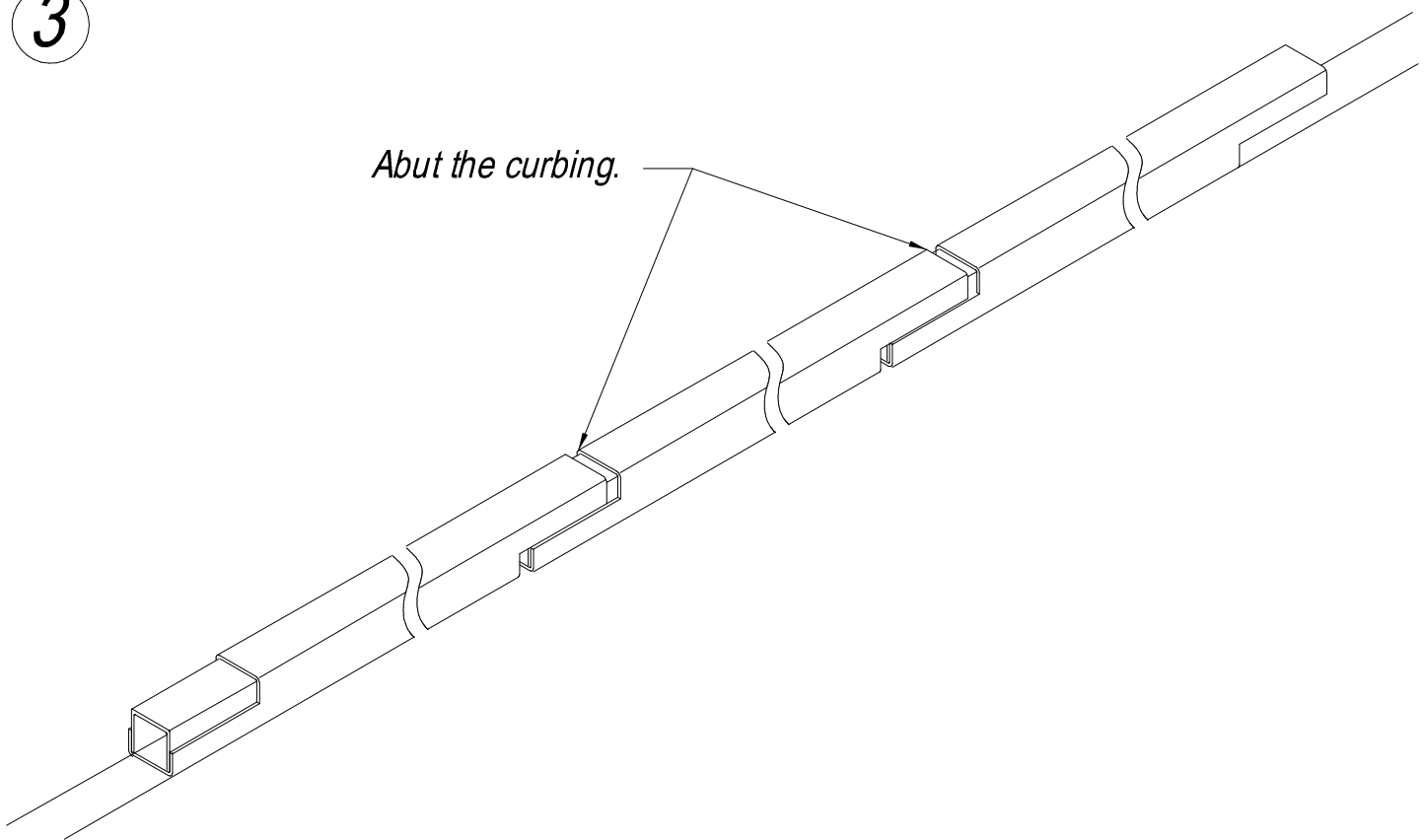


*** Pyramid spikes are optional.*

2



3



INSTALLATION INSTRUCTIONS

1. *OPTIONAL: Thread pyramid spikes into the bottom of the curbing. Six (6) threaded holes have been provided on each section of curbing, but easier to stack without spikes.*
2. *Using the tangent point of one straightaway as a starting point, position the first piece of curb so that 1/2 of the interlocking notch (2") protrudes into the curve.*
3. *Lay out the remaining pieces of curb around the track.*

AAE

**ALUMINUM
ATHLETIC
EQUIPMENT**

4 Portland Road, West Conshohocken, PA 19428
Phone: (610)-825-6565 Toll-free: 1-800-523-5471

DESCRIPTION

4AC CURBING - INSTALLATION INSTRUCTIONS

MODEL NO.	4AC	ITEM	DATE:	2/6/99
DWN. BY:	REV.	3/3/03	DWG. NO.	AAE-149

SECTION 11480
INDOOR TRACK CURBING

PART 1 GENERAL

1.1 SUMMARY

- A.** Provide all equipment and materials, and do all work necessary to furnish and install the Track & Field Equipment, as indicated on the drawings and as specified herein.

1.2 RELATED WORK

- A.** Examine Contract Documents for requirements that affect work of this section. Other specification sections that directly relate to work of this Section include, but are not limited to:
1. Section 02200 - Earthwork; Excavation and Backfill and establishment of subgrade elevations.
 2. Section 02511 - Asphalt Concrete Pavement
 3. Section 02535 - Synthetic Track Surfacing
 4. Section 02542 - Synthetic Field Surfacing
 5. Section 03300 - Cast-in-Place Concrete; Concrete foundations and bases for goals.

1.3 REFERENCES

- A.** Comply with applicable requirements of the following standards. Where these standards conflict with other specified requirements, the most restrictive requirements shall govern.
1. U.S. Tennis Court and Track Builders Association
 2. National Federation of State High School Associations (NFSHSA)
 3. National Collegiate Athletic Association (NCAA)
 4. International Amateur Athletic Foundation (I.A.A.F.)
 5. Manufacturers Data and Recommended Installation Requirements.

SECTION 11480 – INDOOR TRACK CURBING (CONTINUED)

1.4 SUBMITTALS

A. Manufacturers Product Data

1. Provide manufacturer's product literature, technical specifications and other data prior to actual field installation work for Architect or Owner's Representative review.

B. Shop Drawings

1. Provide drawings of manufacturers recommended installation and foundation requirements prior to actual field installation work for Architect or Owner's Representative review.

1.5 QUALITY ASSURANCE

- #### **A.**
- Manufacturers warranties shall pass to the Owner and certification made that the product materials meet all applicable grade trademarks or conform to industry standards and inspection requirements.

1.6 DELIVERY, STORAGE AND HANDLING

- #### **A.**
- Materials delivered to the site shall be examined for concealed damage or defects in shipping. Any defects shall be noted and reported to the Owner's Representative.

- #### **B.**
- Replacements, if necessary, shall be immediately re-ordered, so as to minimize any conflict with the construction schedule.

- #### **C.**
- Sound materials shall be stored above the ground under protective cover or indoors so as to provide proper protection.

PART 2 PRODUCTS

2.1 MANUFACTURERS

- #### **A.**
- Manufacturers and product selections named are provided to establish the minimum standard.

1. Track & Field Equipment - As manufactured by AAE (Aluminum Athletic Equipment Co.); 1000 Enterprise Drive, Royersford, PA 19468; Toll Free (800) 523-5471.

SECTION 11480 – INDOOR TRACK CURBING (CONTINUED)

2.2 TRACK & FIELD EQUIPMENT

- A.** Indoor Aluminum Track Curbing - Shall be as manufactured by AAE:
1. Model # 4AC, Interlocking 2” square curbing with rounded corners. ½” welded aluminum drain pad sits on track surface. Hexagonal positioning stud threads into ¾” dia. Aluminum ground sleeve. Sections of 10’. Silver mill finish.

PART 3 EXECUTION

3.1 INSPECTION

- A.** Examine the areas and conditions where equipment and systems are to be installed and notify the contractor of conditions detrimental to the proper and timely installation and completion of the work.
- B.** Do not proceed with the work until unsatisfactory conditions have been corrected by the contractor in a manner acceptable and to the satisfaction of the Architect/Engineer or Owner's Representative.

3.2 INSTALLATION

- A.** All athletic equipment shall be installed as indicated on approved submittals as recommended and in strict accordance with manufacturer's written directions and as indicated on the drawings and specified herein.
- B.** All concrete footings for athletic equipment shall be installed as indicated on the drawings and in accordance with Section 03300, Cast-in-Place Concrete.
- C.** All sleeves required for athletic equipment installation shall be set plumb and true to line and grade in concrete as indicated on the drawings and per manufacturer's recommendation.
- D.** All athletic equipment shall be installed in strict accordance with the latest rules, regulations and specifications governing that sport or event for which it is being installed.

SECTION 11480 – INDOOR TRACK CURBING (CONTINUED)

3.3 TESTING, ADJUSTMENT AND OPERATION

- A.** All athletic equipment requiring testing, adjustments and operation shall be tested for proper operation and adjusted to conform to specified standards.
- B.** Provide certifications as required, indicating that equipment has been tested and adjusted to conform to specified standards.
- C.** Provide operating and maintenance instructions and manuals to Owner - designated personnel for the proper operation and care of equipment after equipment has been tested and adjusted to conform to specified standards.

3.4 CLEANING

- A.** Upon completion of work in any given area, remove all trash and debris from the work area and leave in clean condition.

- END OF SECTION -