

AAE Model No. ABC-L Aluminum Block Cart - Locking

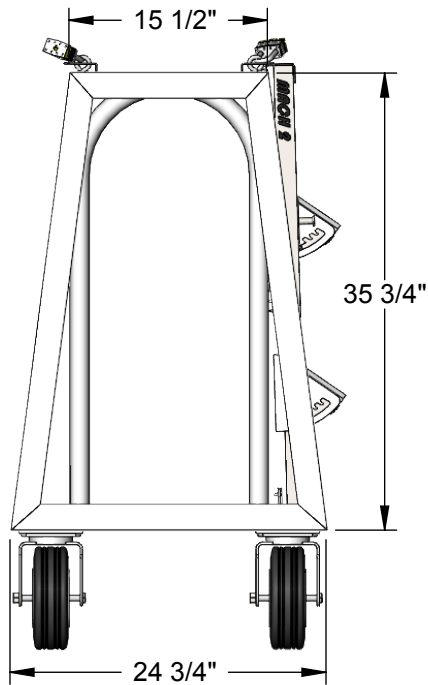


Aluminum Athletic Equipment
1000 Enterprise Drive, Royersford, PA 19468
Toll Free: (800) 523-5471 Fax: (610) 825-2378
www.AAEsports.com

ABC-L - Aluminum Block Cart - Locking

Specifications

D

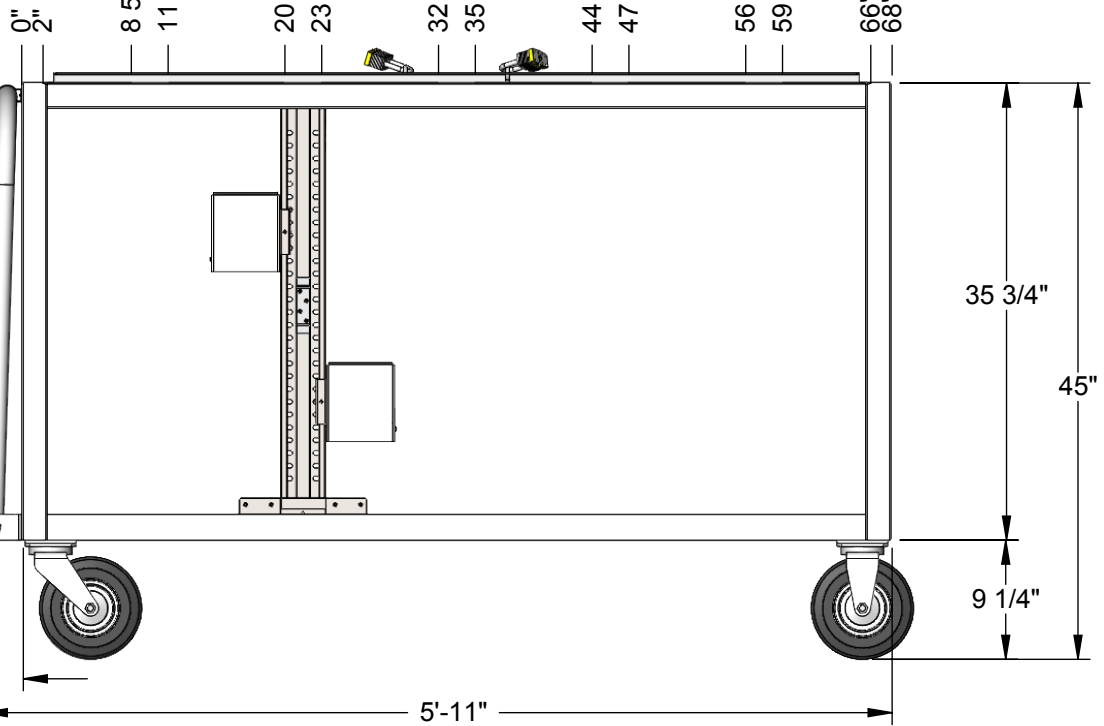
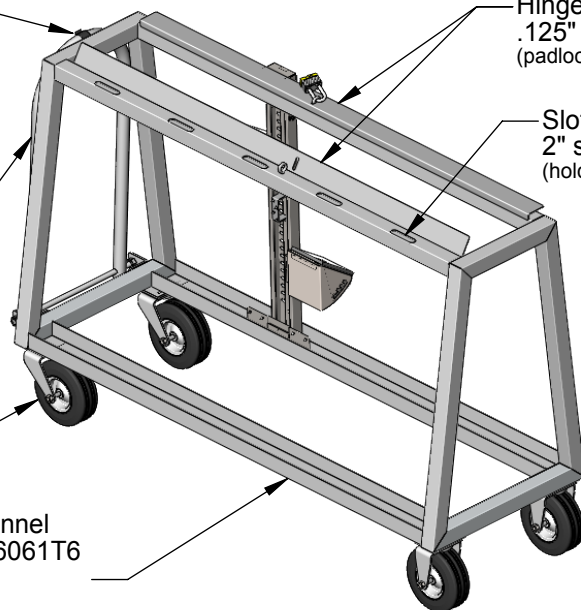


Handle Holder
vinyl-coated spring steel
(Securely holds handle in place)

Aluminum U-Handle
Ø 1-1/2" x 35-1/2", 6061T6
(ergonomic design)

Semi-Pneumatic Wheels
(8"dia., 2 Fixed & 2 Swivel)

Aluminum Channel
2" x 4" x 1/8", 6061T6



Notes/Features:

- Completely welded aluminum frame
- Product includes AAE Lifetime Warranty
- Upon request cart can be customized w/ stainless steel hooks to accommodate different types of starting blocks
- Hinged locking bar included with ABC-L model



Aluminum Athletic Equipment
1000 Enterprise Drive, Royersford, PA 19468
Toll Free: (800) 523-5471 Fax: (610) 825-2378
www.AAEsports.com

DESCRIPTION

ABC-L - Specifications

NOTE:

Aluminum Starting Block Cart with Locking Feature

MODEL:

ABC-L

CATEGORY:

CUSTOMER

DATE:

07/21/11

DWN. BY:

TAD

CAD FILE:

ABC-L Mach Block Cart - Specifications

DWG. NO.

ABC-L-C-001