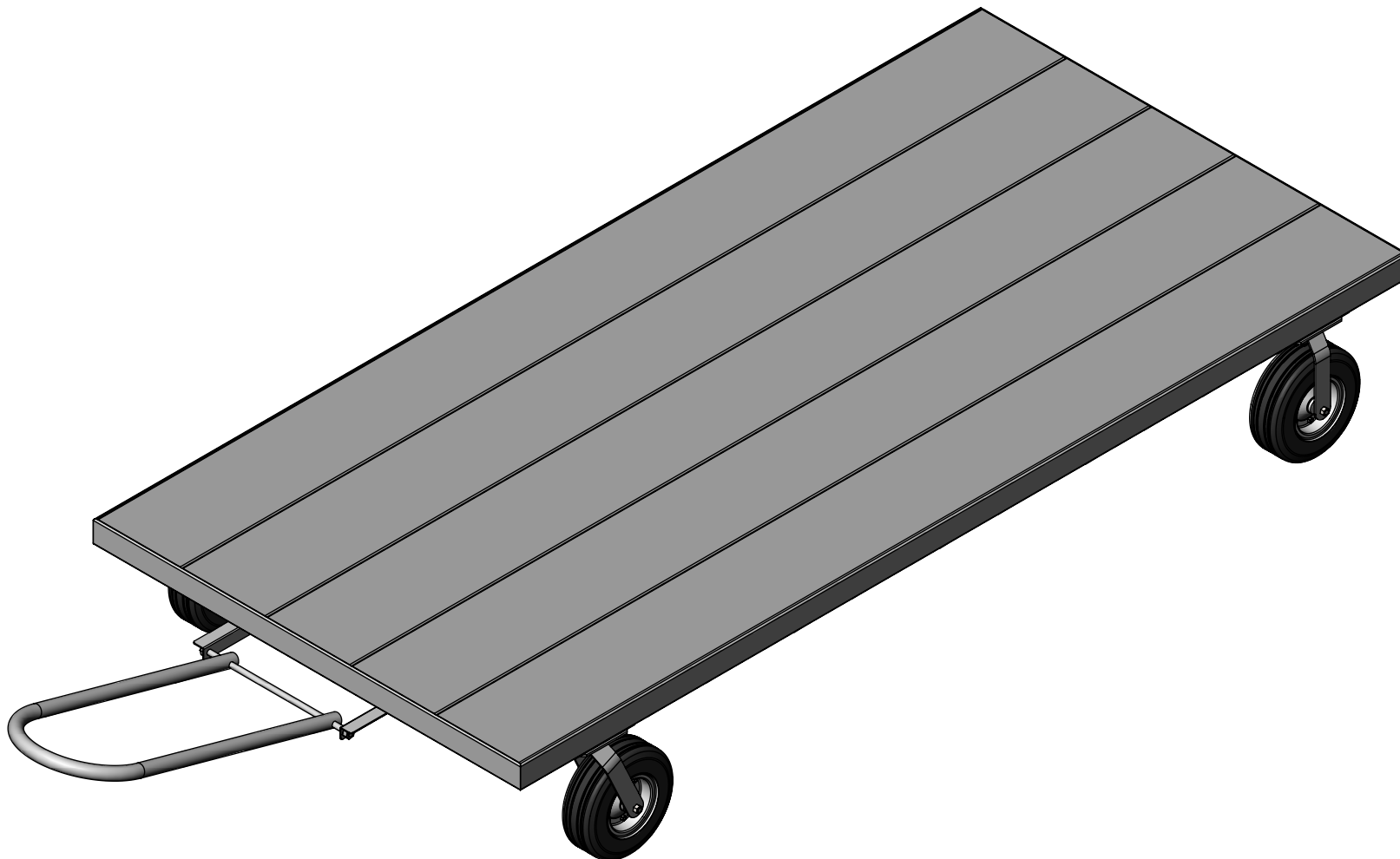
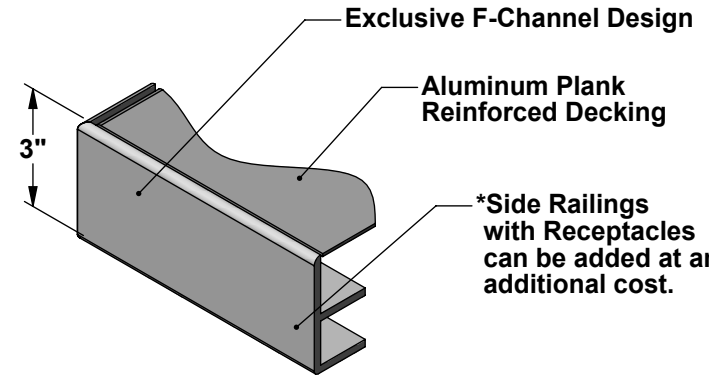
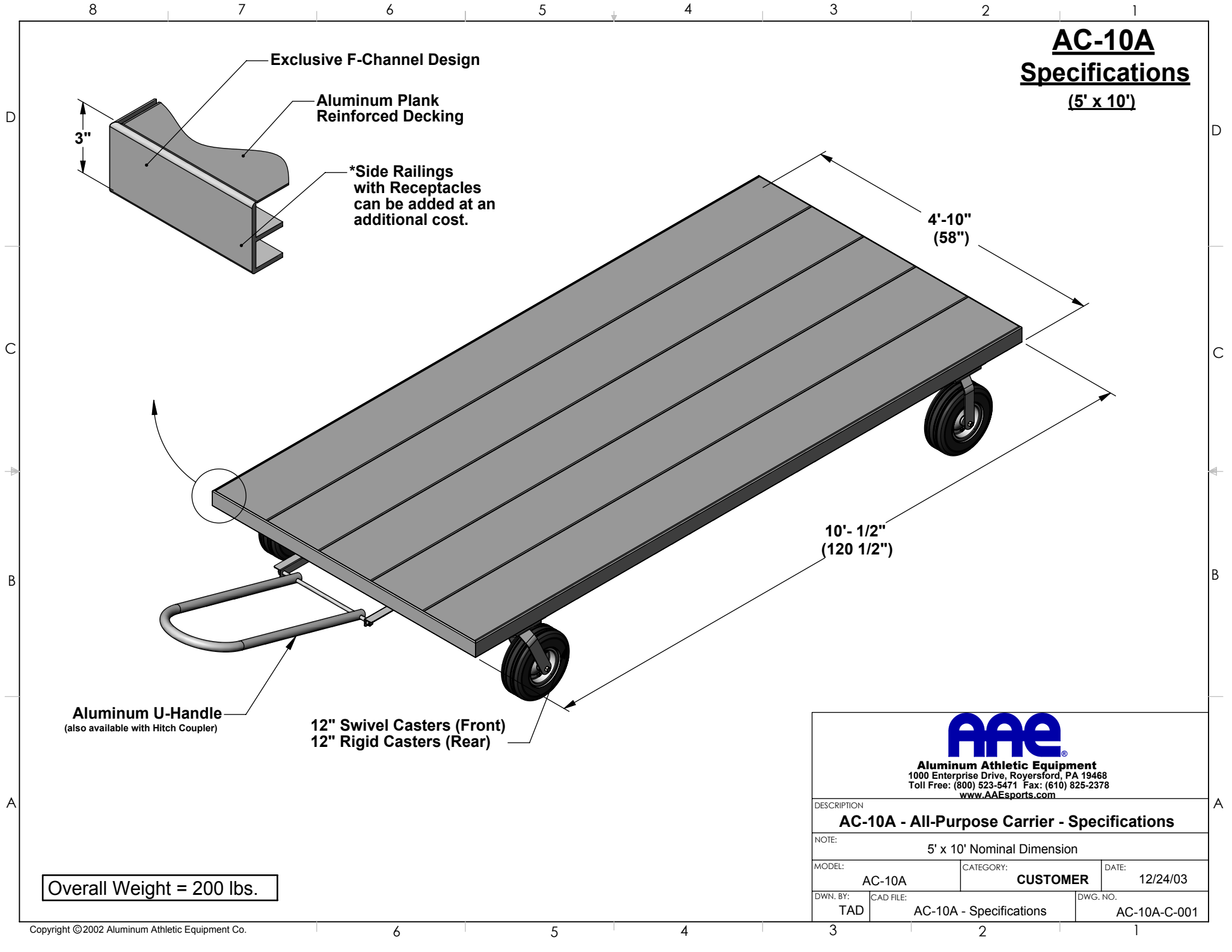


AAE Model No. AC-10
All Purpose Carrier - 5' x 10'



Aluminum Athletic Equipment
1000 Enterprise Drive, Royersford, PA 19468
Toll Free: (800) 523-5471 Fax: (610) 825-2378
www.AAEsports.com


AC-10A Specifications (5' x 10')



Aluminum U-Handle
(also available with Hitch Coupler)

12" Swivel Casters (Front)
12" Rigid Casters (Rear)

Overall Weight = 200 lbs.

 Aluminum Athletic Equipment 1000 Enterprise Drive, Royersford, PA 19468 Toll Free: (800) 523-5471 Fax: (610) 825-2378 www.AAEsports.com		
DESCRIPTION		
AC-10A - All-Purpose Carrier - Specifications		
NOTE: 5' x 10' Nominal Dimension		
MODEL: AC-10A	CATEGORY: CUSTOMER	DATE: 12/24/03
DWN. BY: TAD	CAD FILE: AC-10A - Specifications	DWG. NO. AC-10A-C-001