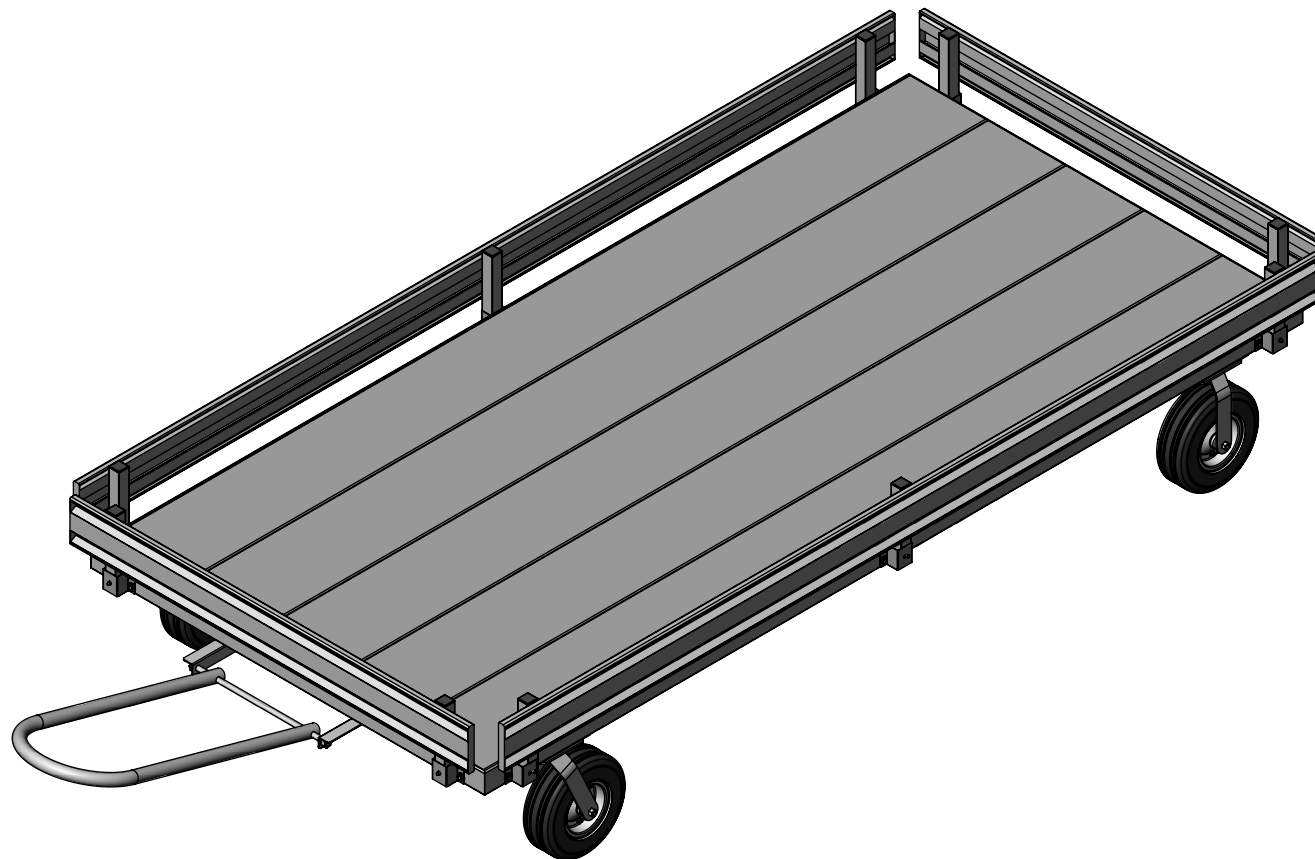


AAE Model No. AC-10AS
All Purpose Carrier with Side Rails - 5' x 10'

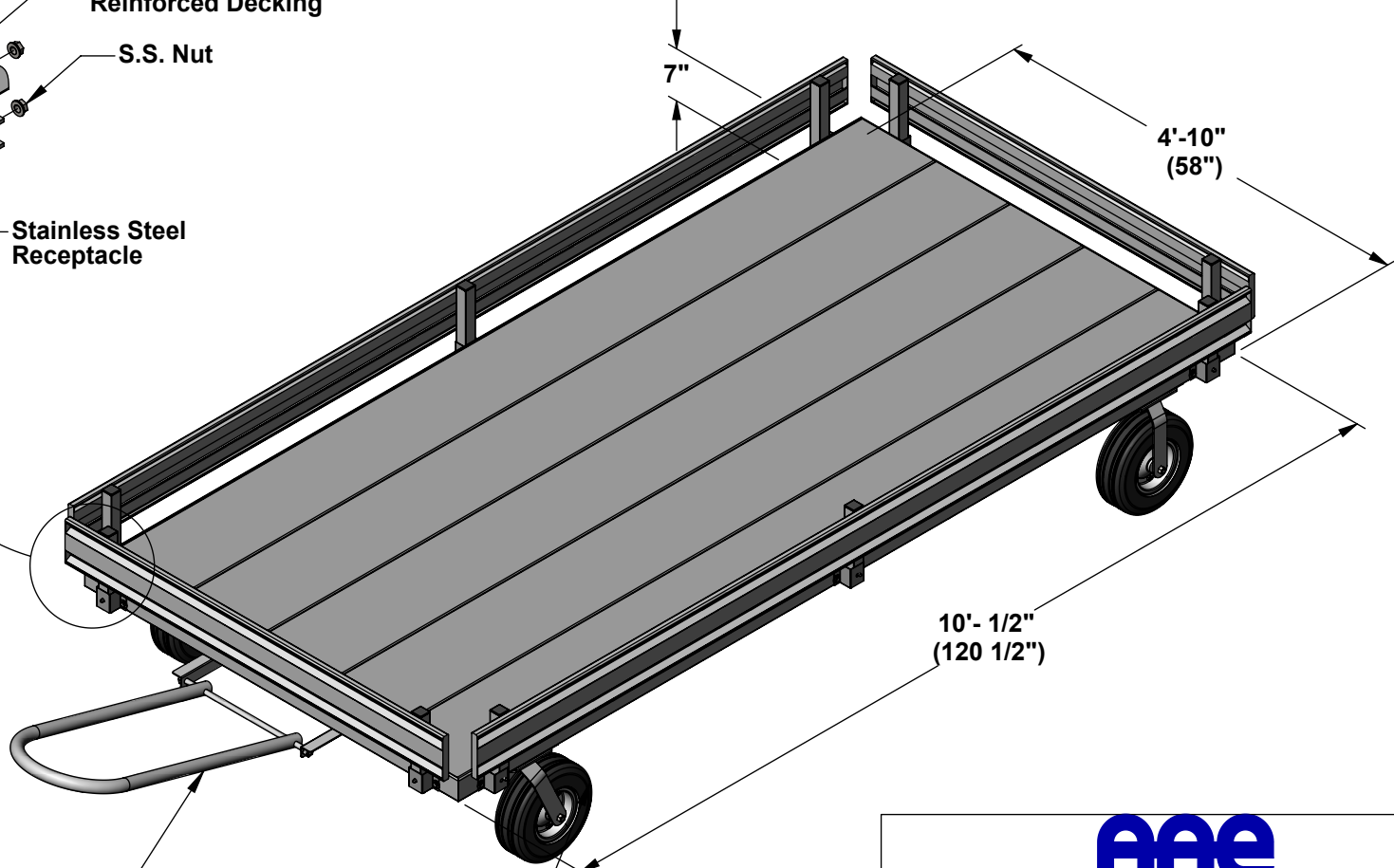
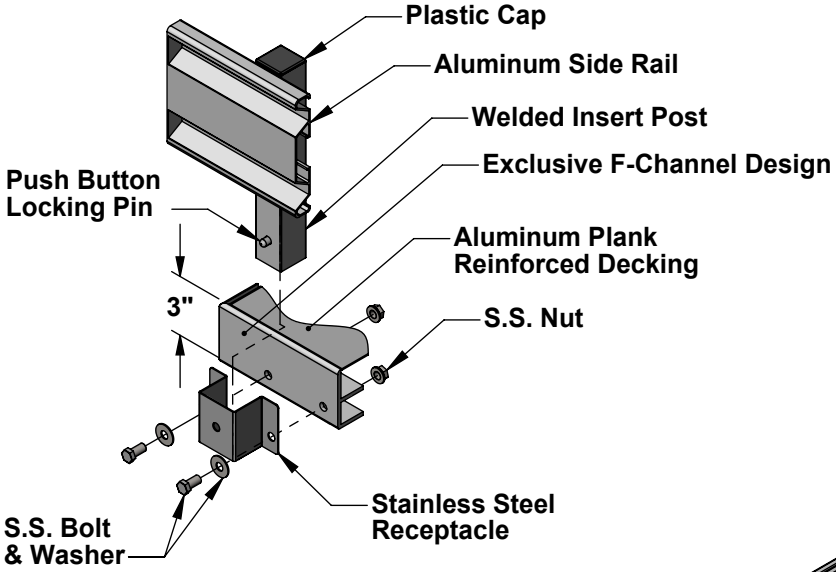


Aluminum Athletic Equipment
1000 Enterprise Drive, Royersford, PA 19468
Toll Free: (800) 523-5471 Fax: (610) 825-2378
www.AAEsports.com

AC-10AS

Specifications

(5' x 10' w/ Side Rails)



Aluminum U-Handle
(also available with Hitch Coupler)

12" Swivel Casters (Front)
12" Rigid Casters (Rear)

Overall Weight = 245 lbs.

 Aluminum Athletic Equipment 1000 Enterprise Drive, Royersford, PA 19468 Toll Free: (800) 523-5471 Fax: (610) 825-2378 www.AAEsports.com		
DESCRIPTION		
AC-10AS - All-Purpose Carrier - Specifications		
NOTE:		
5' x 10' Nominal Dimension with Side Rails		
MODEL:	CATEGORY:	DATE:
AC-10AS	CUSTOMER	12/24/03
DWN. BY:	CAD FILE:	DWG. NO.
TAD	AC-10AS - Specifications	AC-10AS-C-001