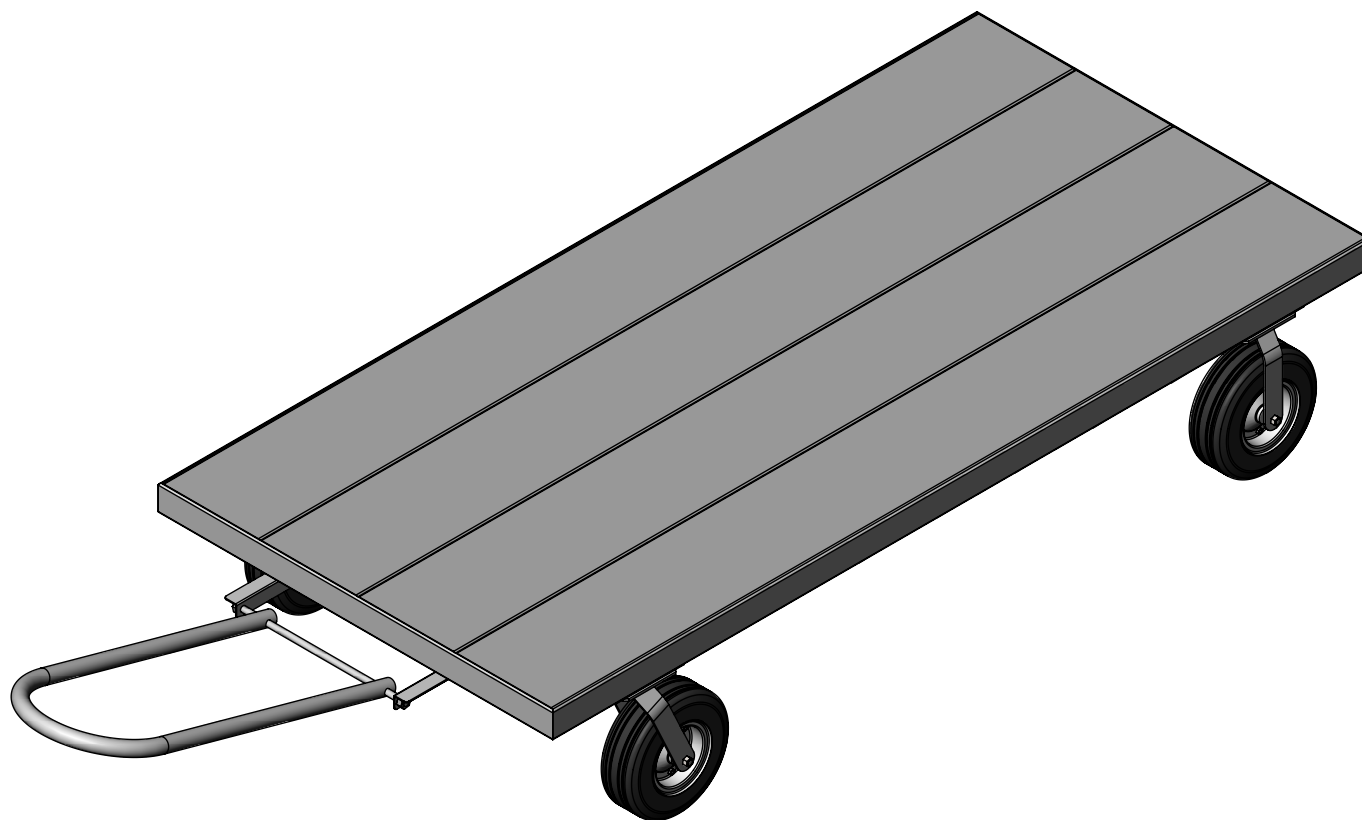
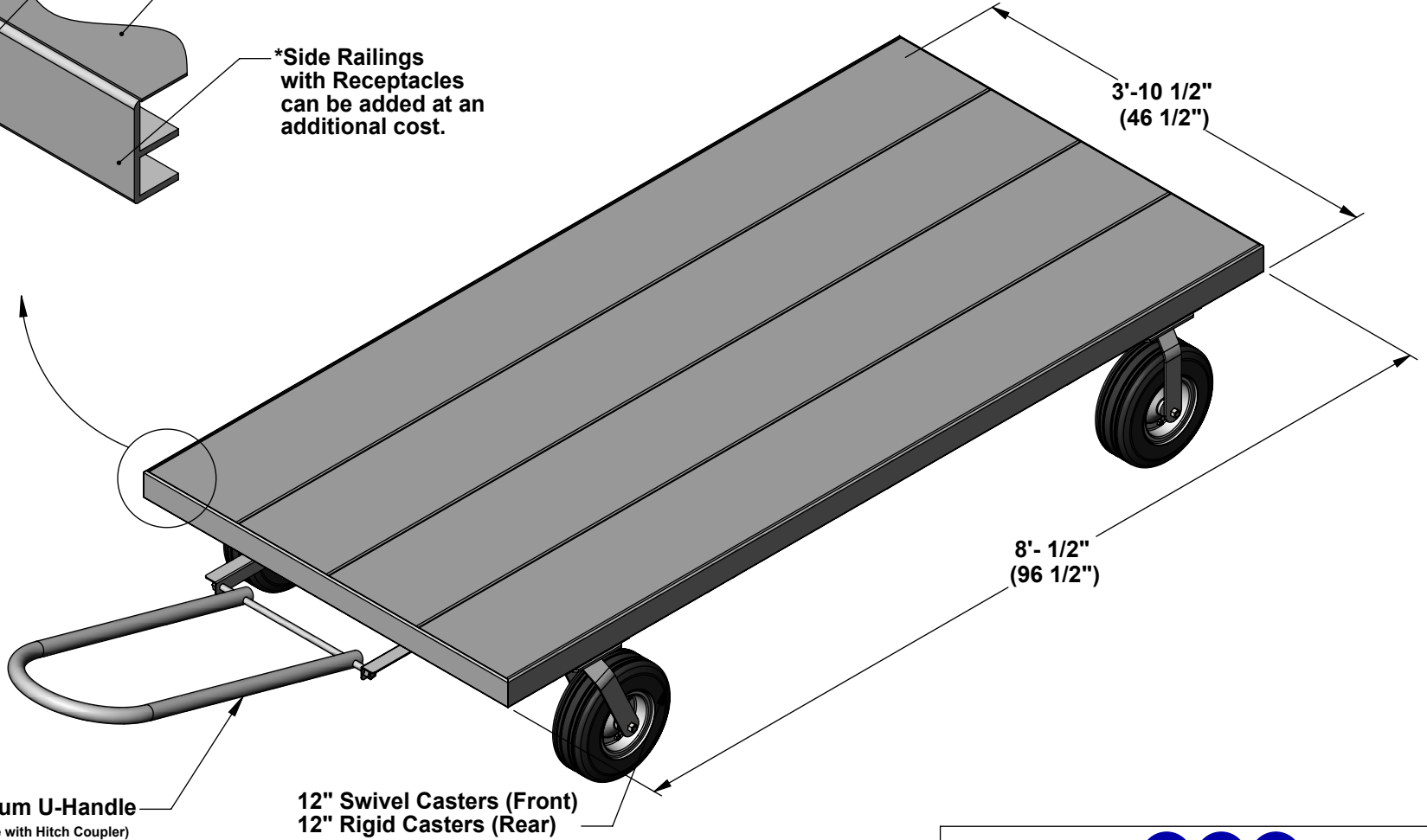
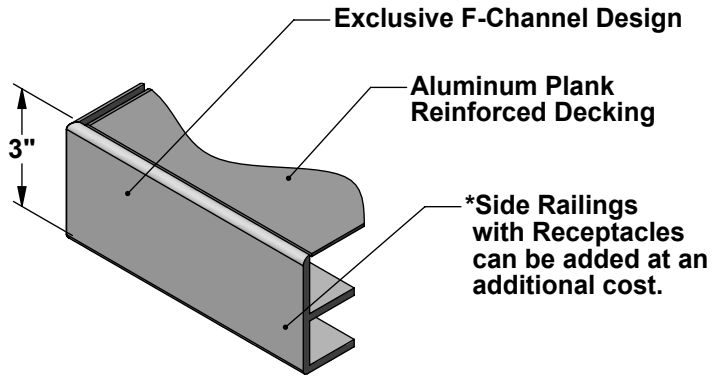


AAE Model No. AC-8
All Purpose Carrier - 4' x 8'



Aluminum Athletic Equipment
1000 Enterprise Drive, Royersford, PA 19468
Toll Free: (800) 523-5471 Fax: (610) 625-2378
www.AAEsports.com

AC-8A Specifications (4' x 8')



Overall Weight = 175 lbs.



Aluminum Athletic Equipment
1000 Enterprise Drive, Royersford, PA 19468
Toll Free: (800) 523-5471 Fax: (610) 825-2378
www.AAEsports.com

| | | |
|---|----------------------------------|----------------------|
| DESCRIPTION | | |
| AC-8A - All-Purpose Carrier - Specifications | | |
| NOTE: 4' x 8' Nominal Dimension | | |
| MODEL: AC-8A | CATEGORY: CUSTOMER | DATE: 12/24/03 |
| DWN. BY: TAD | CAD FILE: AC-8A - Specifications | DWG. NO. AC-8A-C-001 |