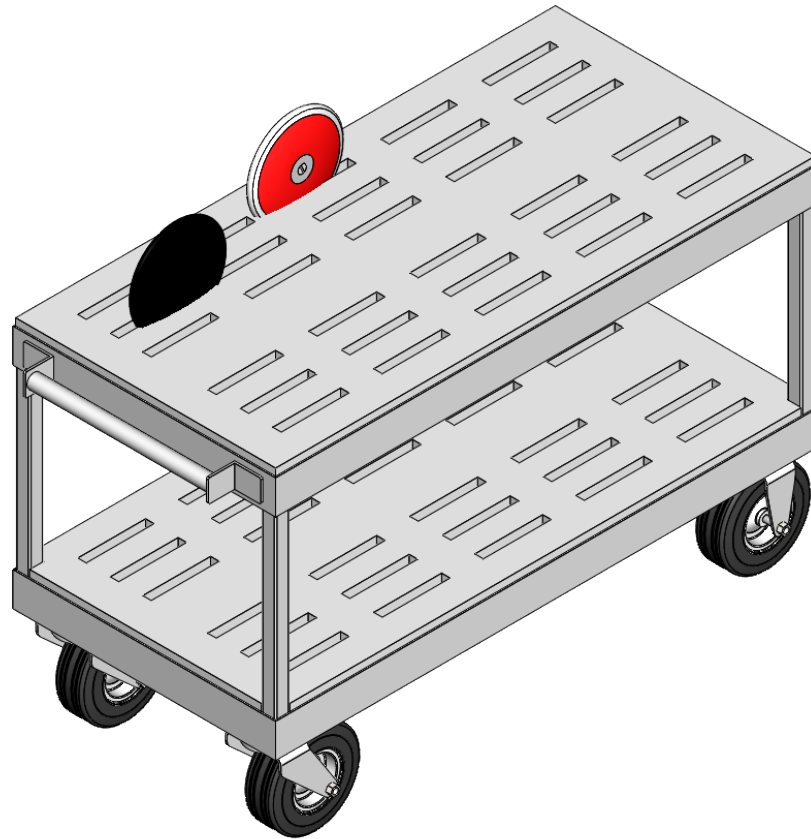


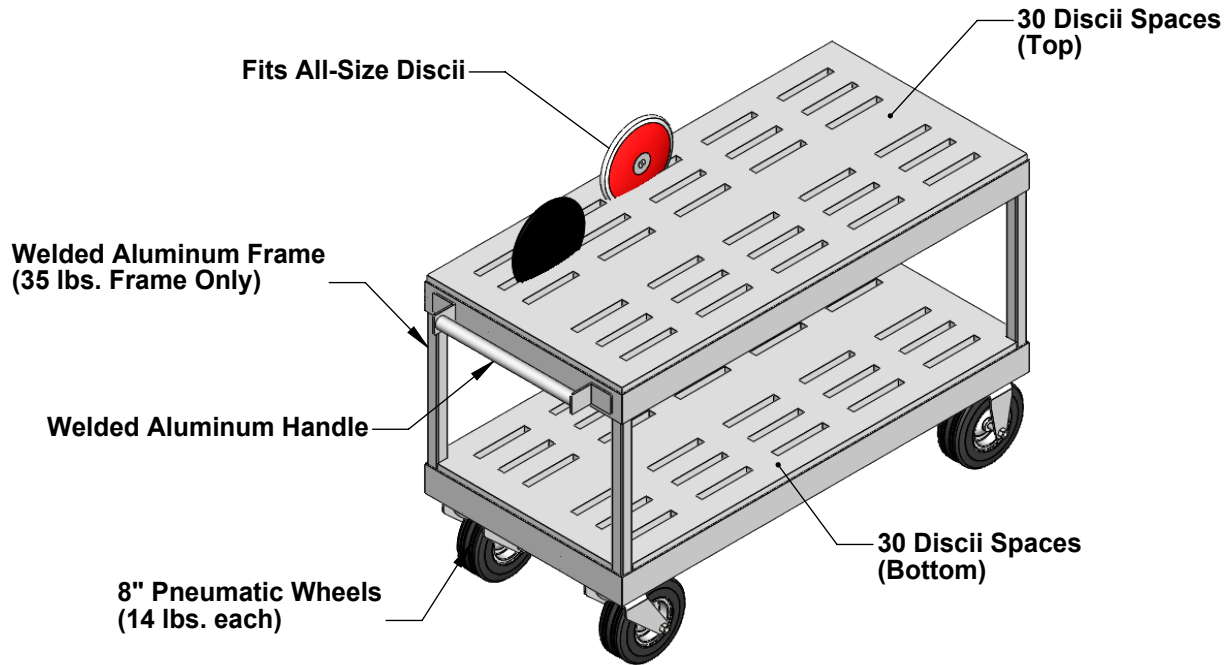
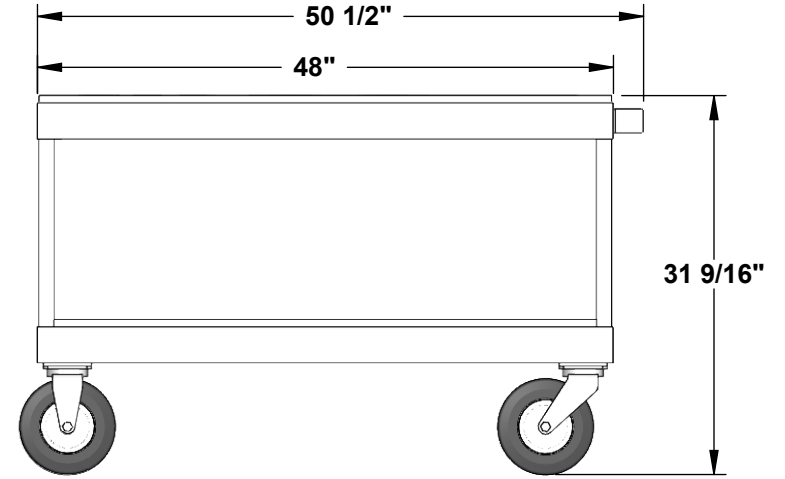
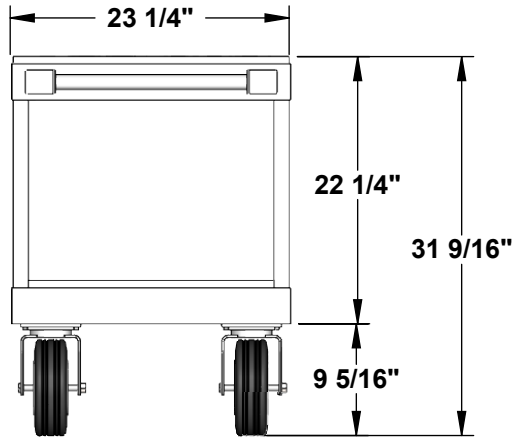
**AAE Model No. ADC**  
**Aluminum Discus Cart**



**Aluminum Athletic Equipment**  
1000 Enterprise Drive, Royersford, PA 19468  
Toll Free: (800) 523-5471 Fax: (610) 825-2378  
[www.AAEsports.com](http://www.AAEsports.com)

# ADC - Aluminum Discus Cart

## Specifications



**Total Weight = 90 lbs.**



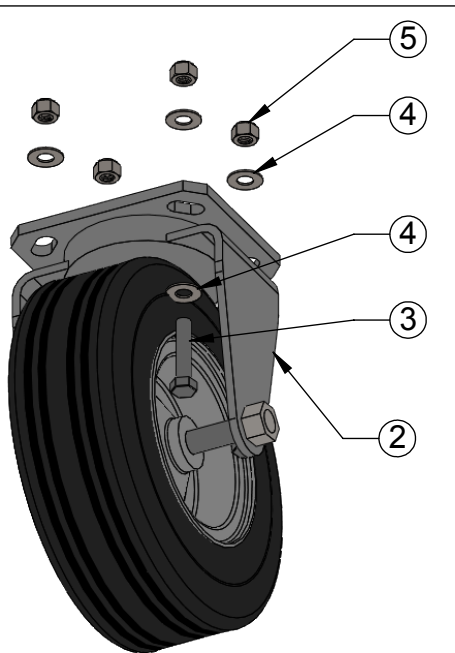
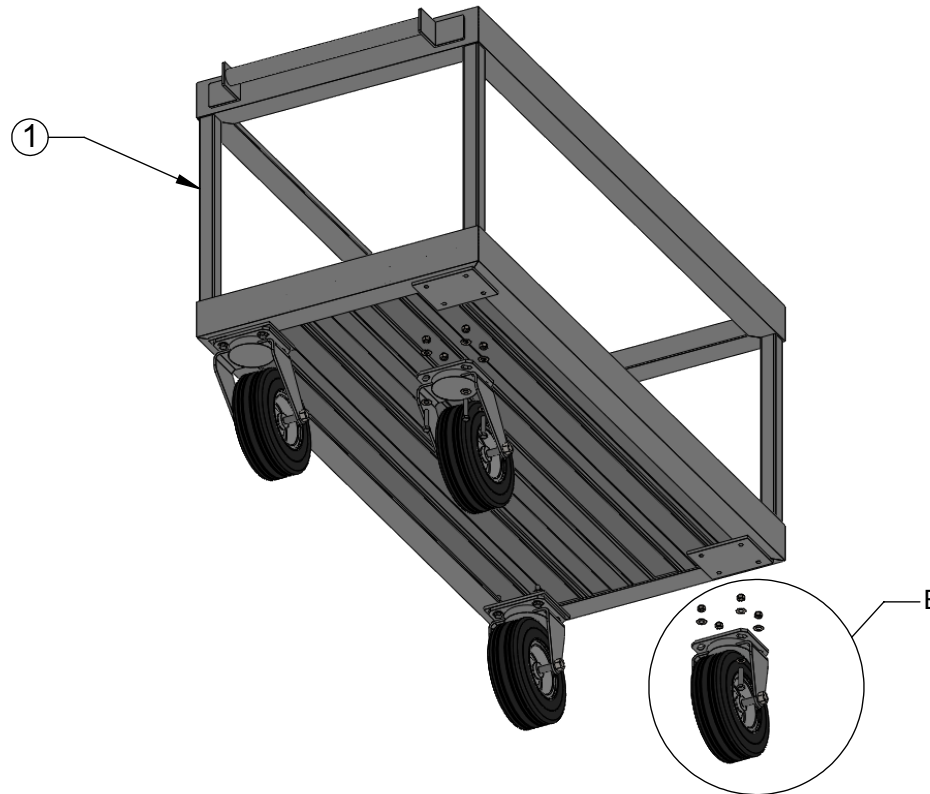
**Aluminum Athletic Equipment**  
 1000 Enterprise Drive, Royersford, PA 19468  
 Toll Free: (800) 523-5471 Fax: (610) 825-2378  
[www.AAEsports.com](http://www.AAEsports.com)

DESCRIPTION		
<b>ADC - Aluminum Discus Cart - Specifications</b>		
NOTE: 3 Models (Same Frame)		
MODEL: ADC	CATEGORY: CUSTOMER	DATE: 10/01/02
DWN. BY: TAD	CAD FILE: ADC-Specifications	DWG. NO. ADC-C-001

# AMC

## Assembly Specifications

ITEM NO.	PART NUMBER	DESCRIPTION	Exploded assembly/QTY.
1	Top & Bottom Assembly (AMC)		1
2	Swivel Wheel Assembly		4
3	5_16-18 Bolts (All)		16
4	5_16	5/16" Flat Washer, SS	32
5	Standard	5/16"-18, Self Locking Nut, SS	16



DETAIL B  
SCALE 1 : 4

**AAE**  
**Aluminum Athletic Equipment**  
 1000 Enterprise Drive, Royersford, PA 19468  
 Toll Free: (800) 523-5471 Fax: (610) 825-2378  
[www.AAEsports.com](http://www.AAEsports.com)

DESCRIPTION: **ADC, AJC, AMC, ASC**

NOTE: Assembly Specifications

MODEL:	Model ID	CATEGORY:	<b>CUSTOMER</b>	DATE:	2/28/2018
DWN. BY:	CED	CAD FILE:	AMC Assembly Specifications	DWG. NO.:	Model-C-001