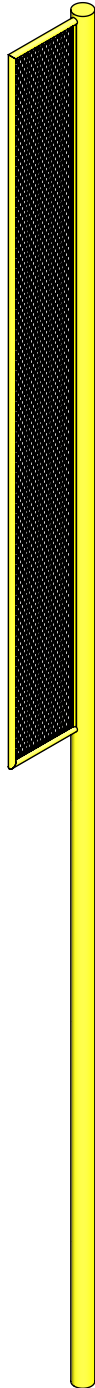
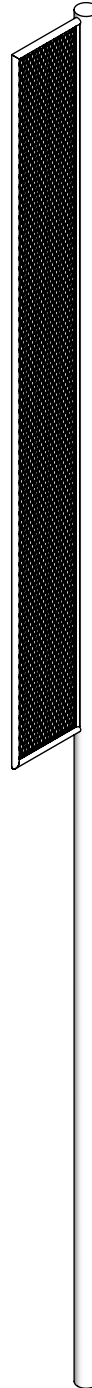


**AAE Model No. AFP-30**  
**Aluminum Foul Pole - 30'**



AFP-30-Y

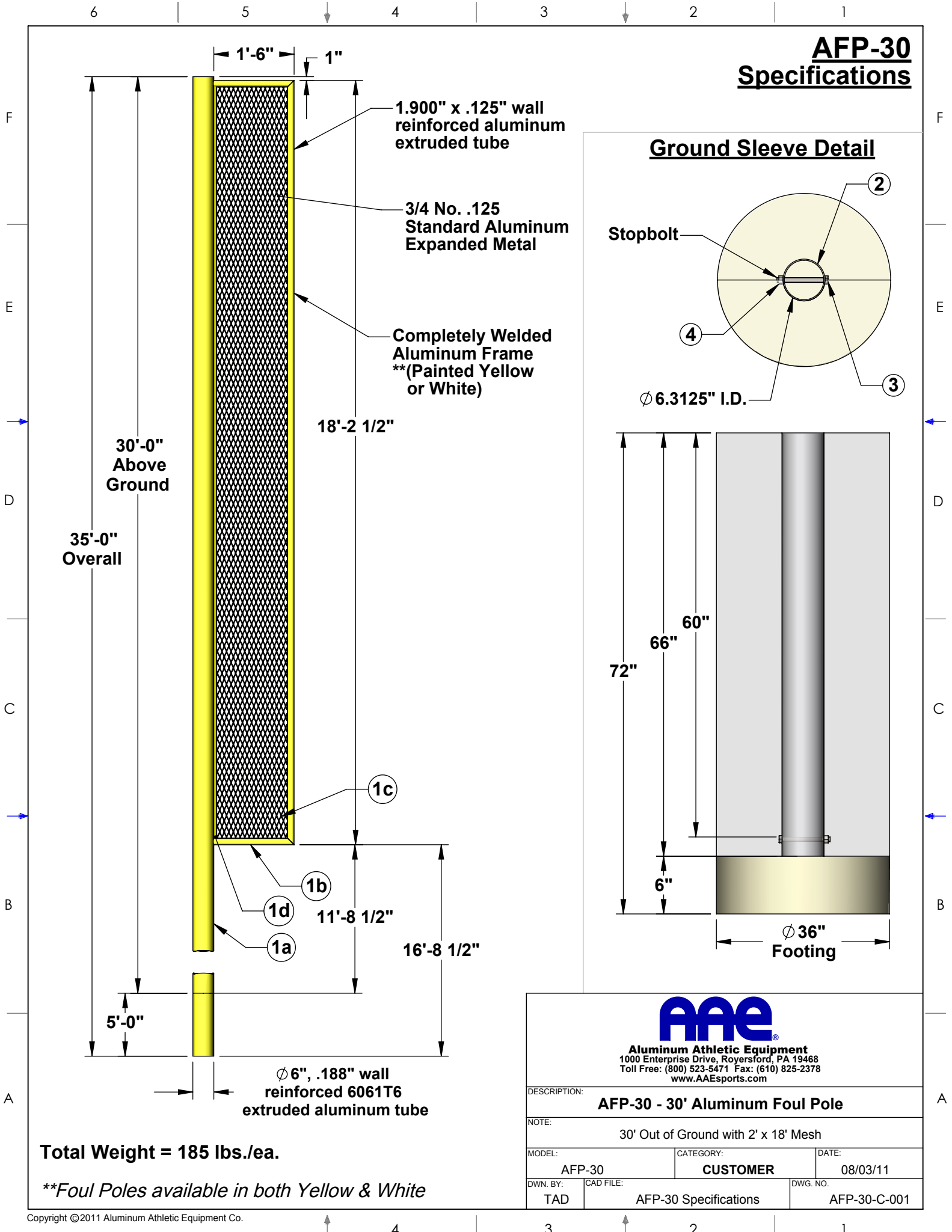


AFP-30-W



**Aluminum Athletic Equipment**  
1000 Enterprise Drive, Royersford, PA 19468  
Toll Free: (800) 523-5471 Fax: (610) 825-2378  
[www.AAEsports.com](http://www.AAEsports.com)

# AFP-30 Specifications



**Total Weight = 185 lbs./ea.**

**\*\*Foul Poles available in both Yellow & White**



**Aluminum Athletic Equipment**  
 1000 Enterprise Drive, Royersford, PA 19468  
 Toll Free: (800) 523-5471 Fax: (610) 825-2378  
 www.AAEsports.com

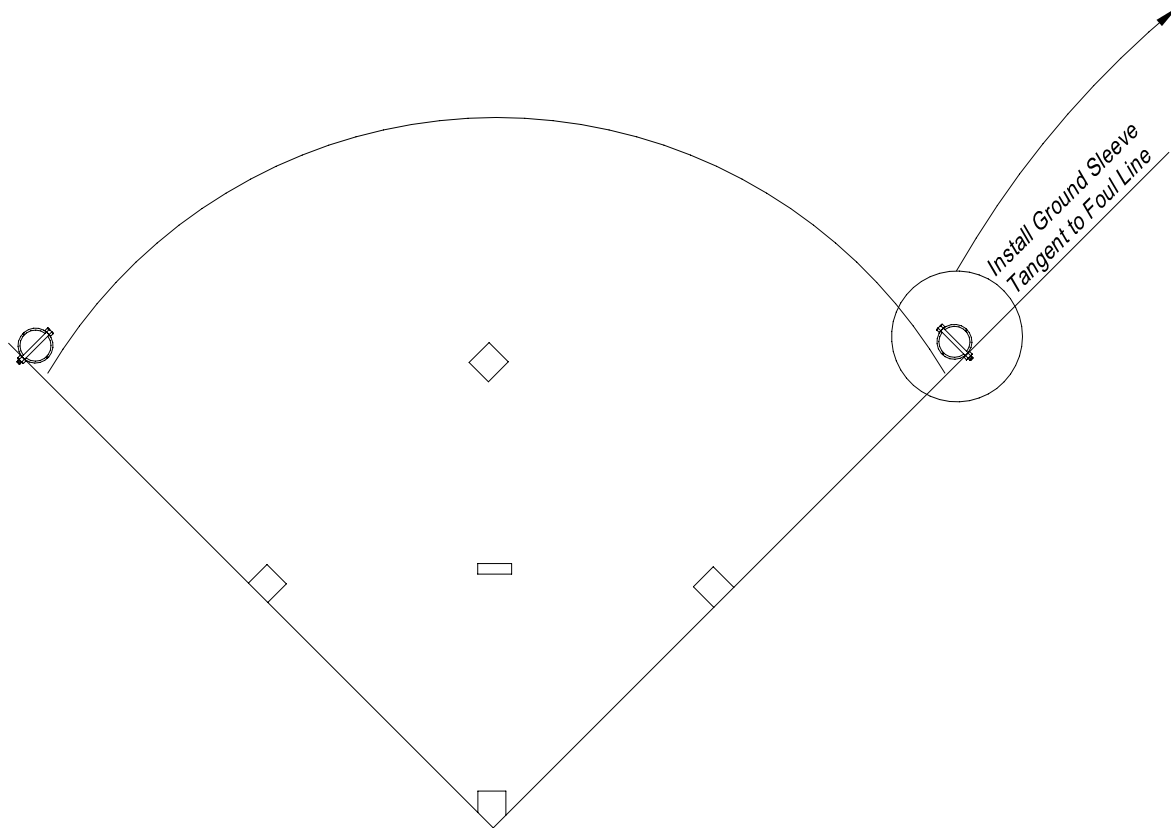
DESCRIPTION:		
<b>AFP-30 - 30' Aluminum Foul Pole</b>		
NOTE: 30' Out of Ground with 2' x 18' Mesh		
MODEL:	CATEGORY:	DATE:
AFP-30	CUSTOMER	08/03/11
DWN. BY:	CAD FILE:	DWG. NO.:
TAD	AFP-30 Specifications	AFP-30-C-001

**Installation**

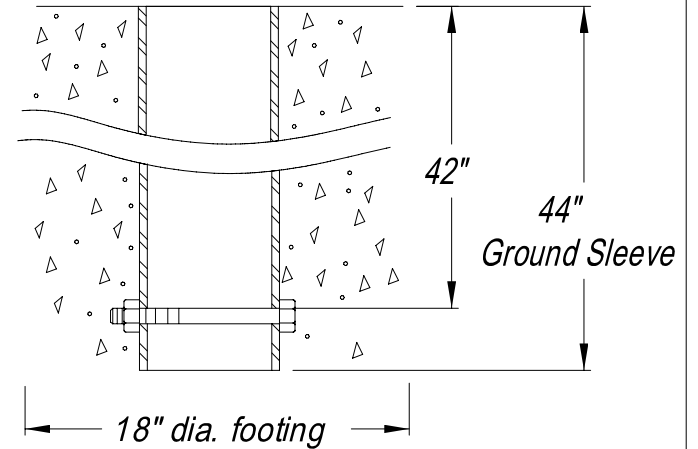
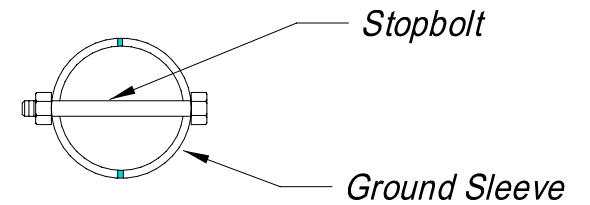
The stopbolt located at the bottom of the ground sleeve must be positioned so that it is perpendicular to the third or first base line. (See diagram below)

The ground sleeve must be oriented in this manner in order for your fair pole to fit properly.

Any questions, please call 800-523-5471



**GROUND SLEEVE**



**AAE** ALUMINUM  
ATHLETIC  
EQUIPMENT  
1000 Enterprise Drive, Royersford, PA 19468  
Phone: (610)-825-6565 Toll-free: 1-800-523-5471

<i>DESCRIPTION</i>		
<b>FAIR POLE GROUND SLEEVE LOCATION</b>		
<i>MODEL NO.</i>	<i>ITEM</i>	<i>DATE:</i> 3/2/06
<i>DWN. BY:</i>	<i>REV.</i>	<i>DWG. NO.</i> AAE-248b

**AFP-22  
22' ALL-ALUMINUM FAIR POLE  
PARTS LIST**

---

<b>Pt. #</b>	<b>Item</b>	<b>Description</b>	<b>Qty.</b>
1a	Fair Pole	6" o.d. x 35'-0" overall x .226" wall reinforced 6061T6 extruded aluminum tube (30' out of ground)	2
1b	Frame	1.625" od. x .125 wall extruded aluminum tube, 1'-6" x 18'-2 1/2" welded frame	2
1c	Wire Mesh	3/4" No. .125" thick aluminum expanded metal	2
1d	Net Clip Extrusion	2" Radius x .125" wall aluminum extrusion	2
2	Ground Sleeve	Ground Sleeve, 6.3125" o.d. x .100 wall x 66" long	2
3	Hex bolt	1/2"-13 x 7" hex head bolt, plated	2
4	Nut	1/2"-13 wiz-lock nut, plated	2

**FOR TECHNICAL ASSISTANCE, CALL 1-800-523-5471**

**AFP-30**  
**30' ALL-ALUMINUM FAIR POLE**  
**INSTALLATION INSTRUCTIONS**

---

**INSTALLATION:** (Refer to drawing No. AAE-248b for details)

1. Locate the location for the ground sleeves to be installed in the outfield tangent to the foul line, hugging the inside of the field. Drill or dig a 24"-36" diameter hole, a minimum of 72" deep (Consult local codes) at the center of the location of the ground sleeves to be installed. Fill the hole with 6" of crushed stone.

*Note: Sand type soils will need 36" diameter footing, where as clay type soils will only need 24" diameter footing.*

2. Insert the ground sleeves, ("bolt" side down) in the center of the hole. Make sure the ground sleeves are flush with the ground, leveled and plumb. Also, rotate the ground sleeves so that the stopbolt in the ground sleeve is in the correct orientation to the foul line. (See Dwg. No. AAE-248b)

**NOTE:** It is extremely important that the stopbolts in the ground sleeve are in proper alignment, so the keyslot in the main upright will lock the upright into it's proper position when set into the ground sleeve.

3. When the ground sleeves are in the proper position and alignment, the concrete can be poured. (Be sure not to get any concrete inside the ground sleeves!) As the concrete cures, constantly check to see that the ground sleeves are flush with the ground, centered, plumb, and in the correct alignment. (A piece of 6" PVC pipe with a Post Level inserted into the ground sleeve may be used to maneuver the position of the sleeve if needed)
4. Raise, then lower the post into the ground sleeve, making sure that the notch in the bottom of the Fair Pole seeds into the stopbolt.

**FOR TECHNICAL ASSISTANCE, CALL 1-800-523-5471**