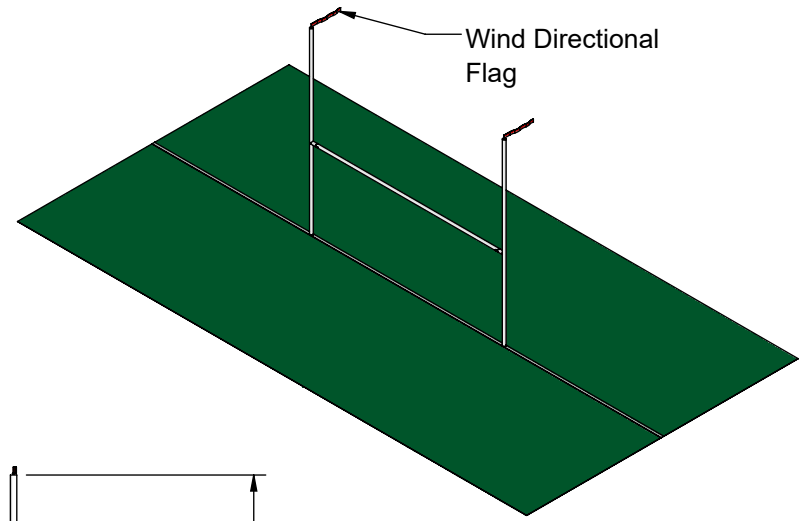
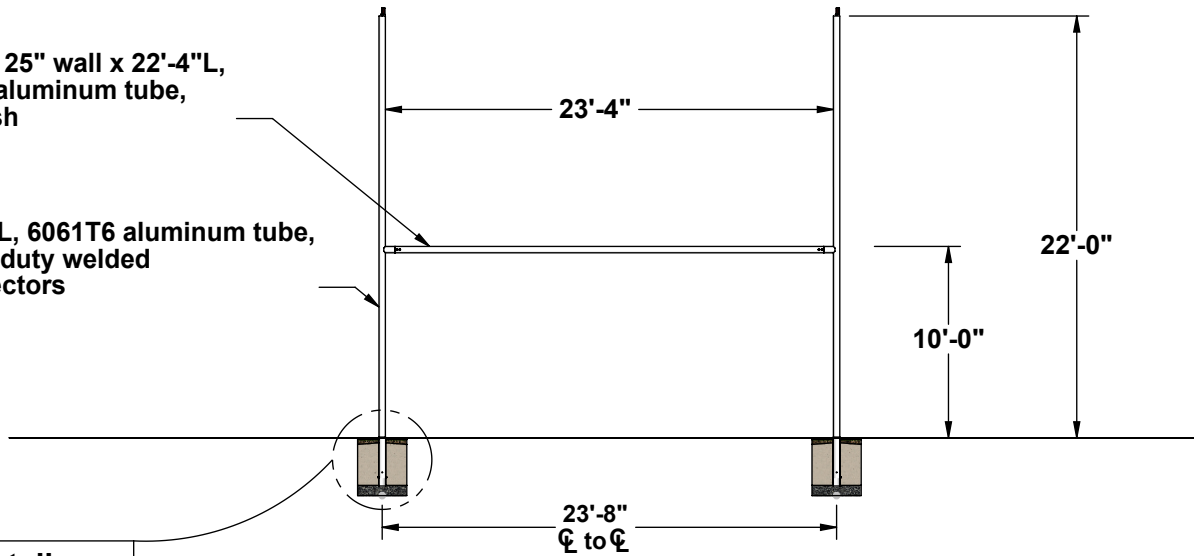


# AHG-HS - Football "H" Goal Specifications

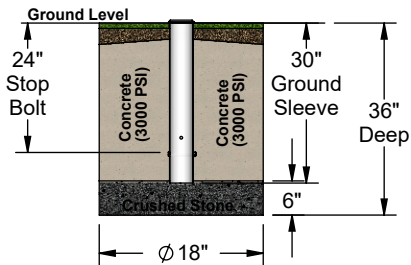


Ø 4" x .125" wall x 22'-4"L,  
6063T6 aluminum tube,  
mill finish

Ø 4" x .125" wall x 24'L, 6061T6 aluminum tube,  
mill finish with heavy-duty welded  
crossbar insert connectors



## Ground Sleeve Detail



## Notes:

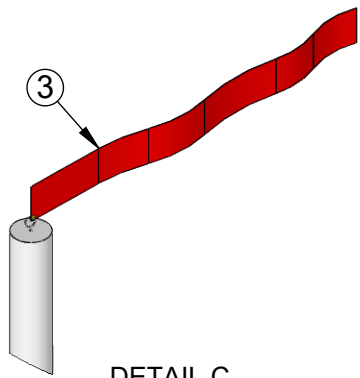
- Powder-coat goals in high visibility yellow/white.
- Weight = 140lbs./ea.
- Meets High School dimensions.
- Includes 4"W x 42"L Nylon Streamers to attach on top of upright.
- If planning to grow grass around ground sleeve, then recess concrete 3" from ground level.



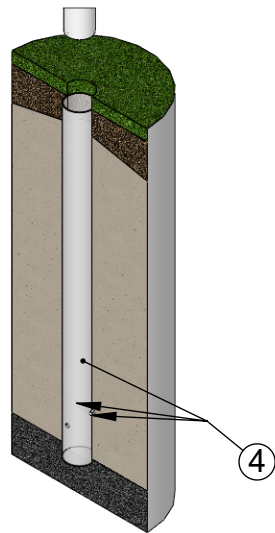
**Aluminum Athletic Equipment**  
1000 Enterprise Drive, Royersford, PA 19468  
Toll Free: (800) 523-5471 Fax: (610) 825-2378  
www.AAEsports.com

DESCRIPTION: <b>AHG-HS - Football "H" Goal - Specifications</b>		
NOTE:		
MODEL: AHG-HS	CATEGORY: <b>CUSTOMER</b>	DATE: Rev. 11/06/20 7/15/14
DWN. BY: CED	CAD FILE: AHG-HS - Specifications	DWG. NO. AHG-HS-C-001

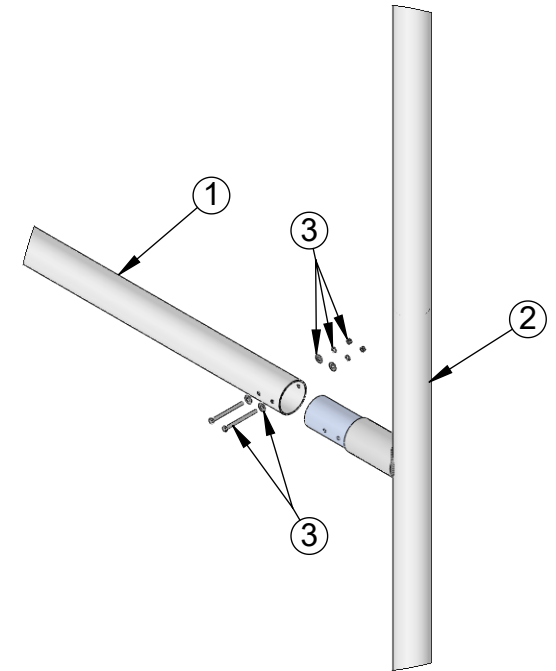
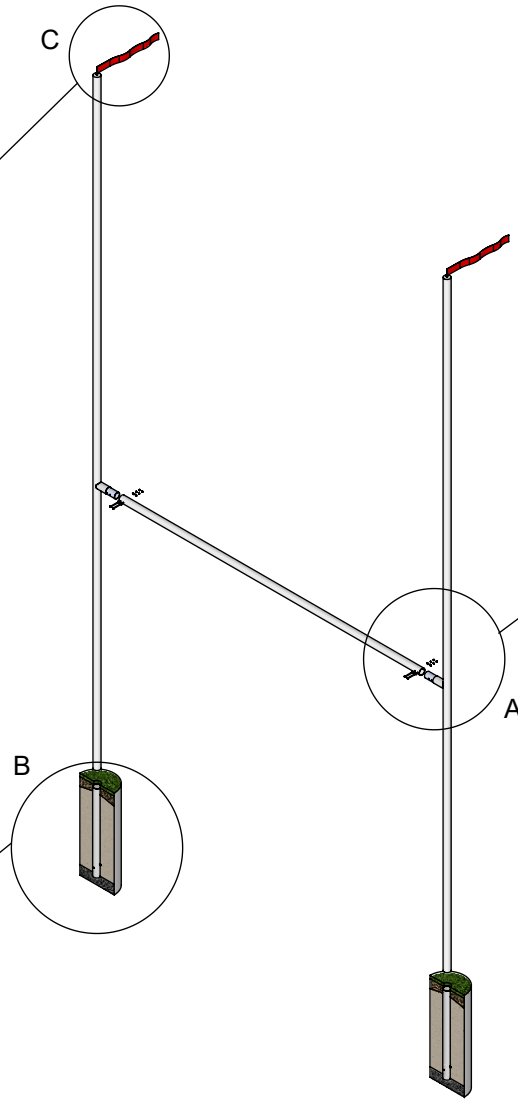
# AHG-HS



DETAIL C  
SCALE 1 : 18



DETAIL B  
SCALE 1 : 24



DETAIL A  
SCALE 1 : 20

ITEM NO.	PartNo	DESCRIPTION	QTY.
1	90289	4"dia. AHG-HS Crossbar	1
2	90288	AHG-NCAA-Football Upright	2
3	90290	AHG-Hardware Kit	1
4	90294	AHG-HS, Ground Sleeve Assembly	2



**Aluminum Athletic Equipment**  
1000 Enterprise Drive, Royersford, PA 19468  
Toll Free: (800) 523-5471 Fax: (610) 825-2378  
[www.aaesports.com](http://www.aaesports.com)

DESCRIPTION:			<b>AHG-HS</b>
NOTE:			Detailed View
MODEL:	CATEGORY:	DATE:	
AHG-HS	<b>CUSTOMER</b>	11/23/2020	
DWN. BY:	CAD FILE:	DWG. NO.:	
CED	AHG-HS Detailed View	AHG-HS-C-001	