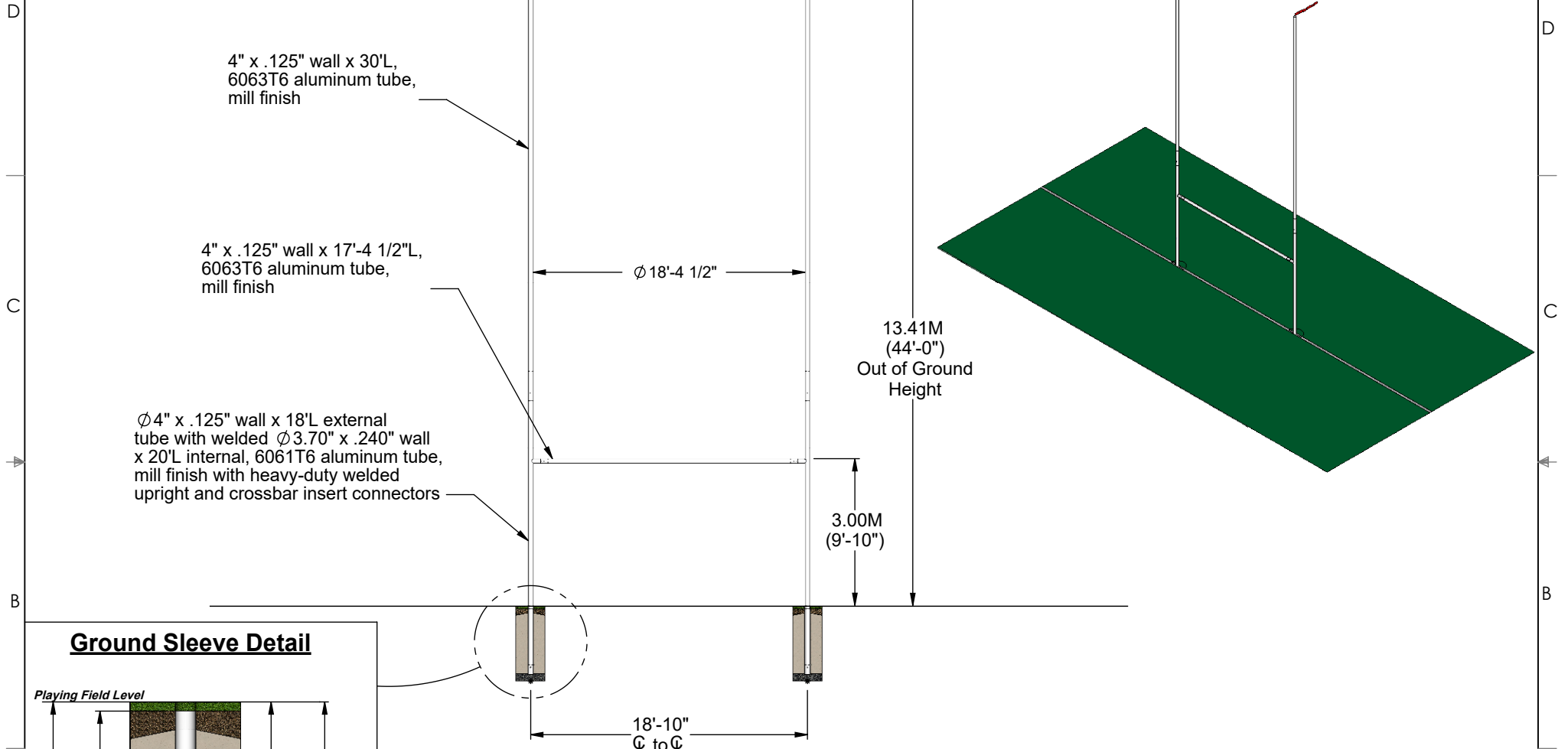
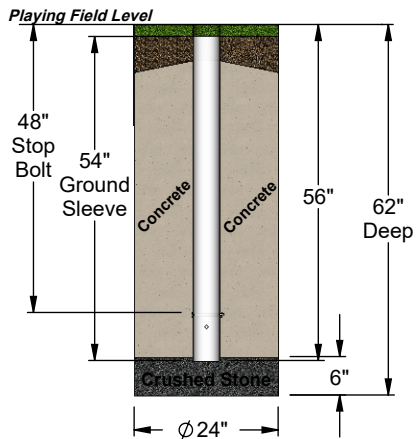


# AHG-RUGBY-I - International Rugby Goal Specifications



## Ground Sleeve Detail



### Notes:

- Powder-coat goals in white .
- Weight = 365lbs./ea.
- Exceeds International Rugby Goal dimensions.
- Includes 4"W x 42"L Nylon Streamers to attach on top of upright.
- If planning to grow grass around ground sleeve, then recess concrete 4"-6" from ground level.

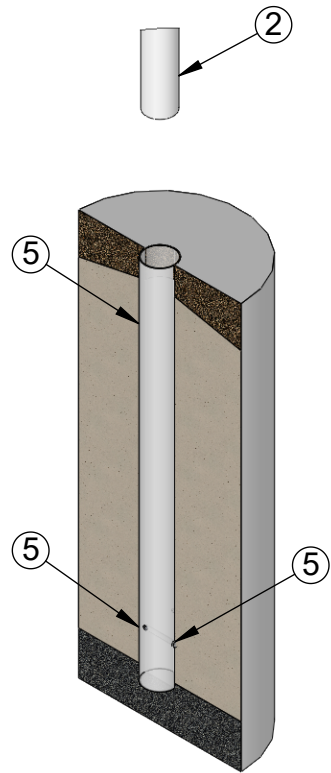


**Aluminum Athletic Equipment**  
 1000 Enterprise Drive, Royersford, PA 19468  
 Toll Free: (800) 523-5471 Fax: (610) 825-2378  
[www.AAEsports.com](http://www.AAEsports.com)

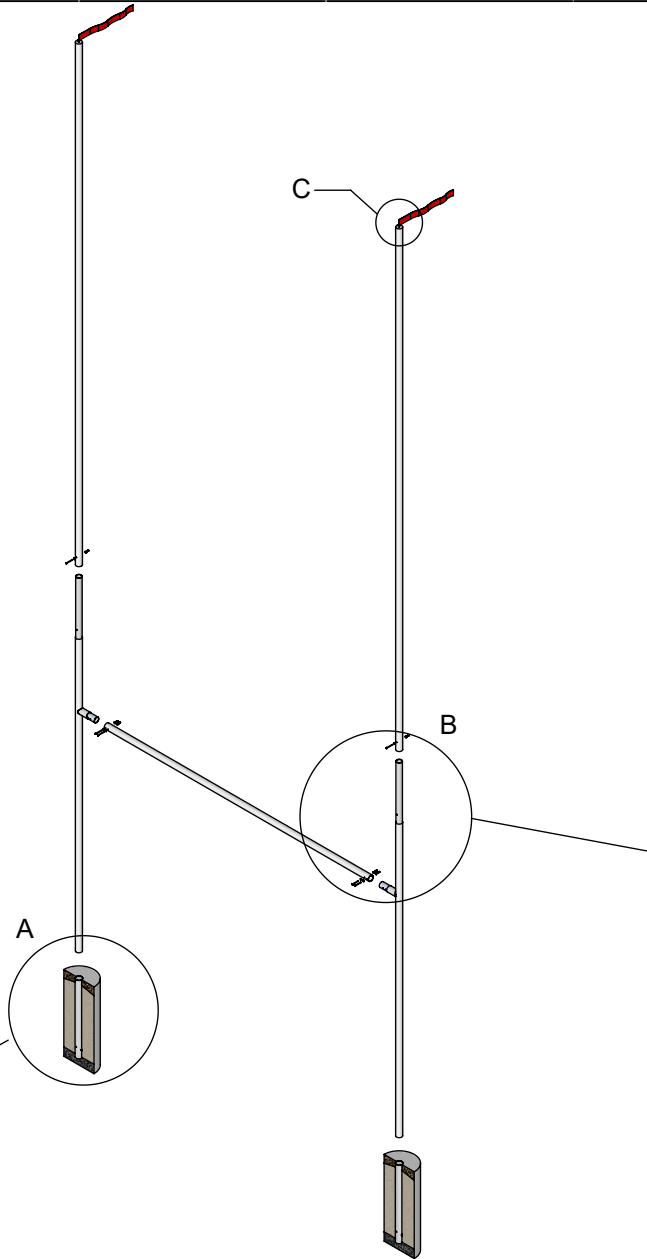
|  |                                      |                       |
|--|--------------------------------------|-----------------------|
| DESCRIPTION:   |                                      |                       |
| <b>AHG-RUGBY-I - International Rugby Goal - Specifications</b> |                                      |                       |
| NOTE: Official International Specifications                    |                                      |                       |
| MODEL:   | CATEGORY:                            | DATE: Rev. 11/30/2020 |
| AHG-RUGBY-I  | <b>CUSTOMER</b>                      | 02/21/07              |
| DWN. BY:   | CAD FILE:                            | DWG. NO.              |
| TAD  | AHG-RUGBY-I International Rugby Goal | AHG-RUGBY-I-C-001     |

# AHG-RUGBY-I

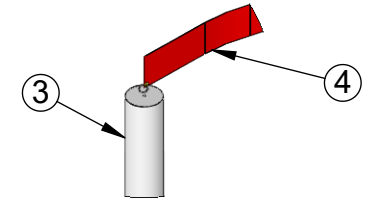
D  
C  
B  
A



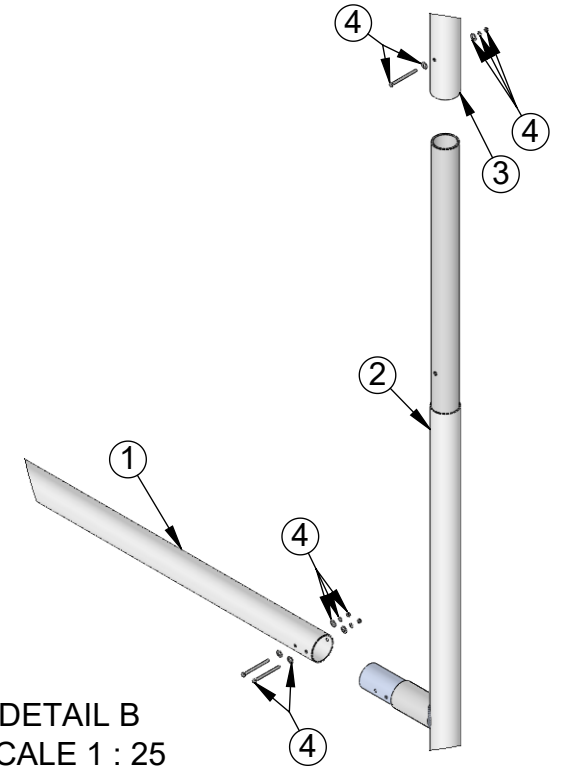
**DETAIL A**  
SCALE 1 : 20



| ITEM NO. | PartNo | DESCRIPTION                        | QTY. |
|----------|--------|------------------------------------|------|
| 1        | 90280  | AHG-RUGBY Crossbar                 | 1    |
| 2        | 90282  | AHG-RUGBY-I Bottom Upright         | 2    |
| 3        | 90283  | AHG 30'-0" Upright                 | 2    |
| 4        | 90291  | AHG Hardware Kit, Double Upright   | 1    |
| 6        | 90292  | AHG-NCAA/I, Ground Sleeve Assembly | 2    |



**DETAIL C**  
SCALE 1 : 20



**DETAIL B**  
SCALE 1 : 25



**Aluminum Athletic Equipment**  
1000 Enterprise Drive, Royersford, PA 19468  
Toll Free: (800) 523-5471 Fax: (610) 825-2378  
www.AAEsports.com

|              |                 |                   |                     |
|--------------|-----------------|-------------------|---------------------|
| DESCRIPTION: |                 |                   | <b>AHG-RUGBY-I</b>  |
| NOTE:        |                 |                   | AHG-I Detailed View |
| MODEL:       | CATEGORY:       | DATE:             |                     |
| AHG-RUGBY-I  | <b>CUSTOMER</b> | 11/30/2020        |                     |
| DWN. BY:     | CAD FILE:       | DWG. NO.:         |                     |
| CED          | AHG-RUGBY-I     | AHG-RUGBY-I-C-001 |                     |