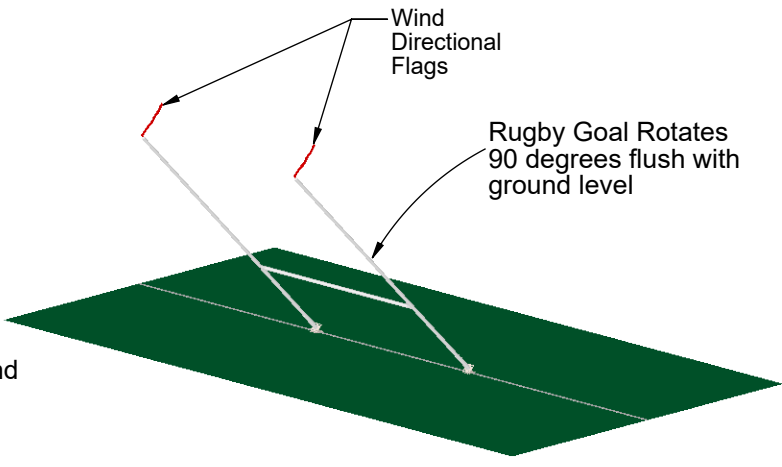
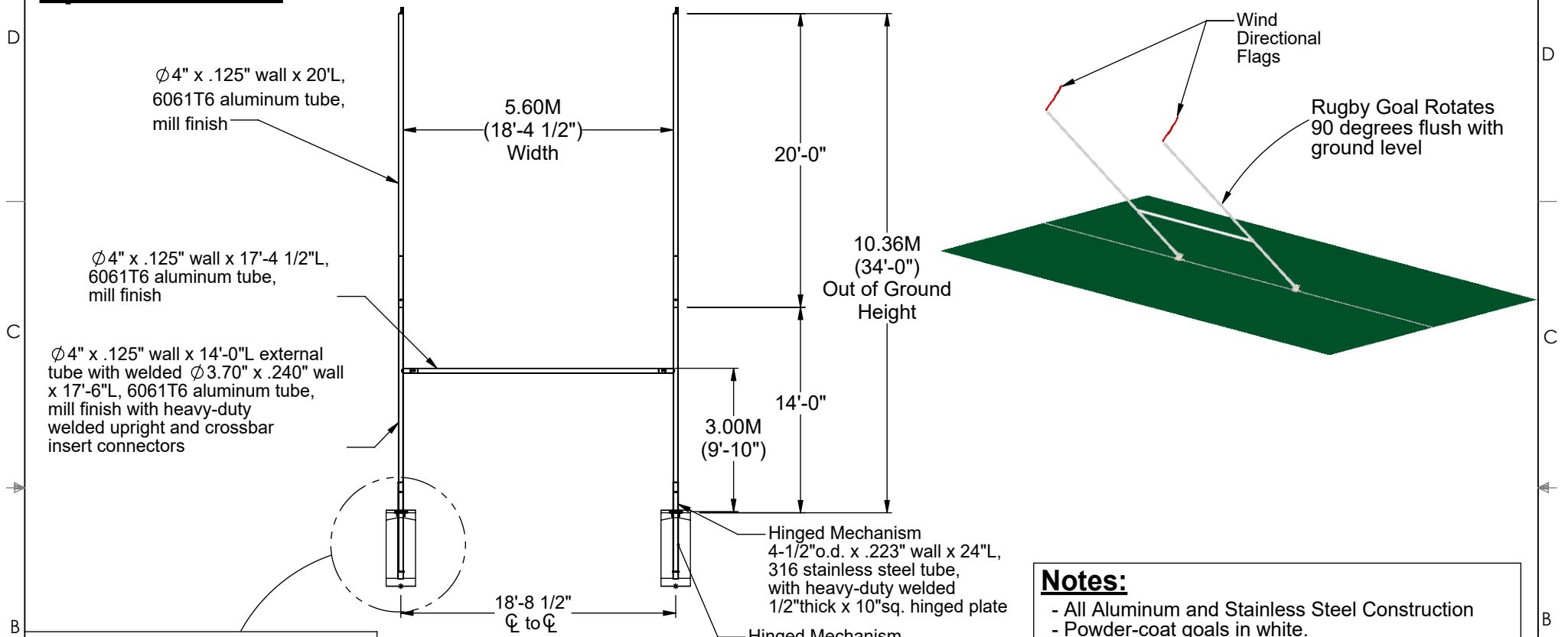
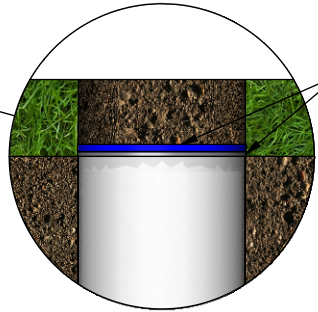
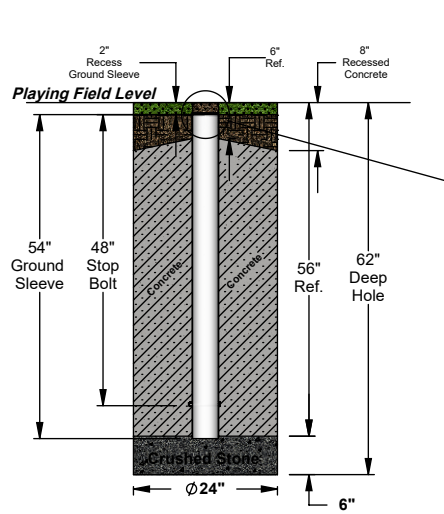


AHG-RUGBY/H - Hinged NCAA Rugby Goal Specifications



Ground Sleeve Detail



Ground Sleeve Plug Detail

Model No. GSP-4.35
 Synthetic Tapered Plug with Slot and factory applied shock pad
 (Turf mounts top of shock pad)

Notes:

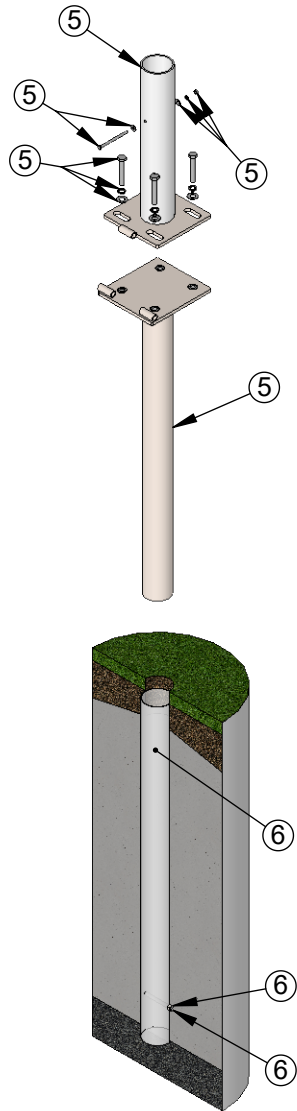
- All Aluminum and Stainless Steel Construction
- Powder-coat goals in white.
- Weight = 480lbs./ea.
- Exceeds International Rugby Goal dimensions.
- Includes 4"W x 42"L Nylon Streamers to attach on top of upright.
- If planning to grow grass around ground sleeve, then recess concrete 4"-6" from ground level.



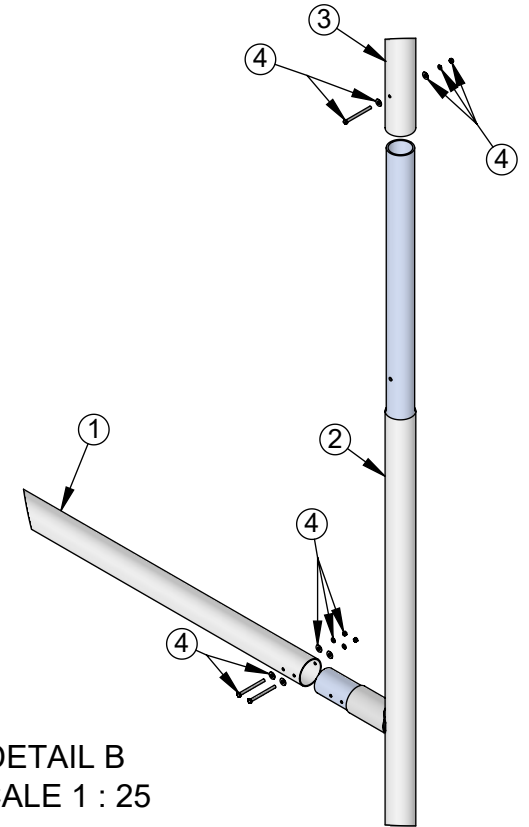
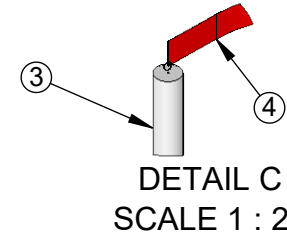
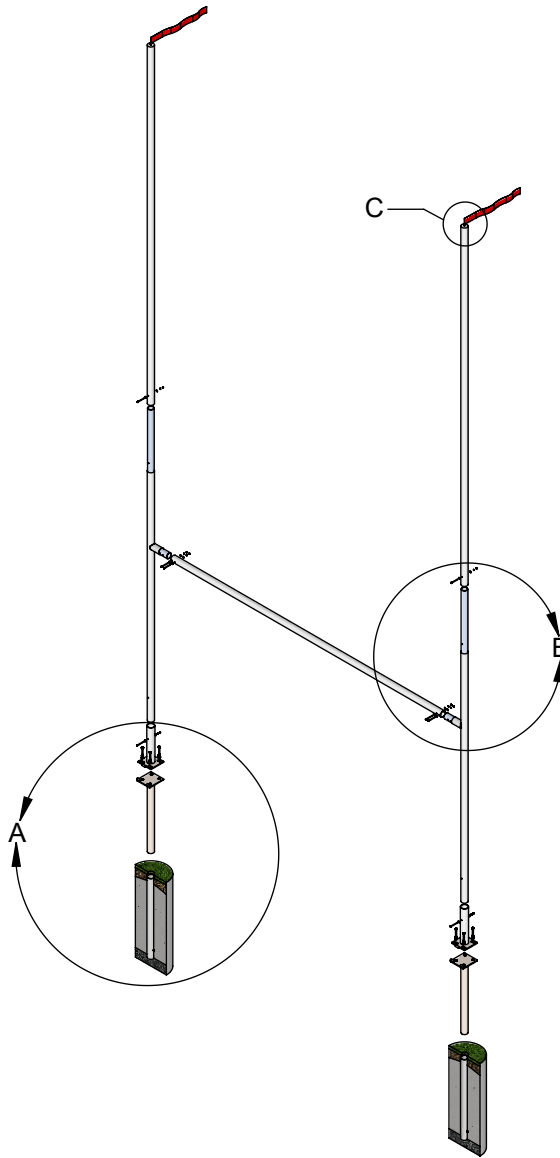
Aluminum Athletic Equipment
 1000 Enterprise Drive, Royersford, PA 19468
 Toll Free: (800) 523-5471 Fax: (610) 825-2378
www.AAEsports.com

DESCRIPTION: Hinged NCAA Rugby Goal - Specifications		
NOTE: Collegiate Specifications		
MODEL: AHG-RUGBY/H	CATEGORY: CUSTOMER	DATE: 02/21/07 Rev. 11/02/20
DWN. BY: TAD	CAD FILE: AHG-RUGBY/H - Specs	DWG. NO. AHG-RUGBY/H-C-001

AHG-RUGBY-NCAA/H



DETAIL A
SCALE 1 : 25



ITEM NO.	PartNo	DESCRIPTION	QTY.
1	90280	4"dia Rugby Crossbar	1
2	90284	AHG-RUGBY/H Bottom Upright	2
3	90286	AHG 20' Upright	2
4	90291	AHG Hardware Kit, Double Upright	2
5	90285	AHG-Hinged Device (Assembly)	2
6	90293	AHG-GS/H, Hinged Model Ground Sleeve	2



Aluminum Athletic Equipment
1000 Enterprise Drive, Royersford, PA 19468
Toll Free: (800) 523-5471 Fax: (610) 825-2378
www.AAEsports.com

DESCRIPTION:		
AHG-RUGBY/H		
NOTE: Hinged AHG-NCAA-RUGBY Detailed View		
MODEL: AHG-RUGBY/H	CATEGORY: CUSTOMER	DATE: 11/30/2020
DWN. BY: CED	CAD FILE: AHG-RUGBY_H Detailed View	DWG. NO. AHG-RUGBY/H-C-001