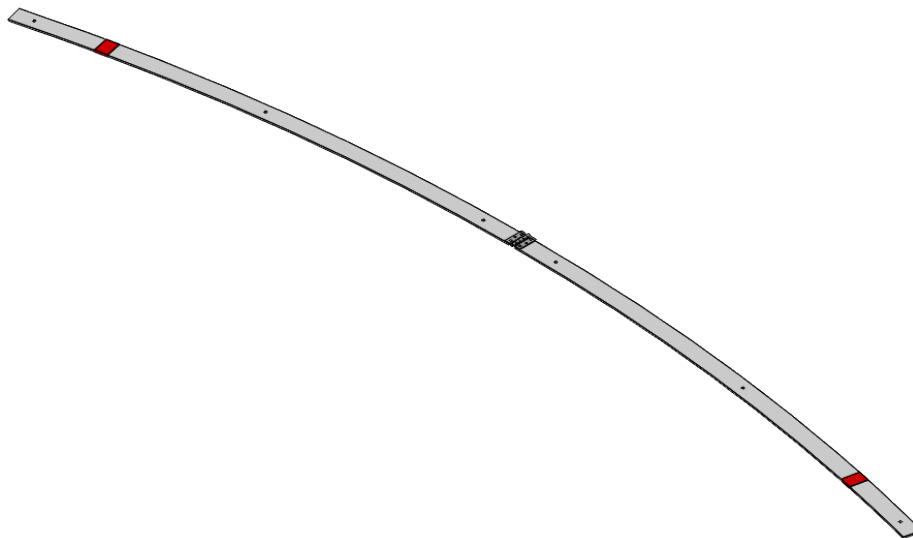
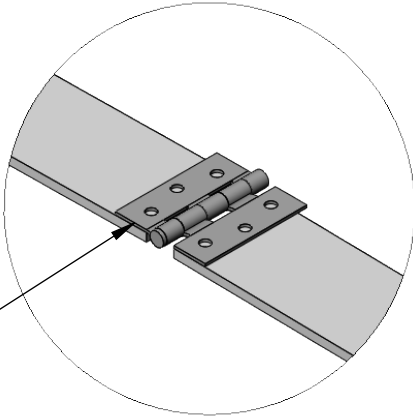
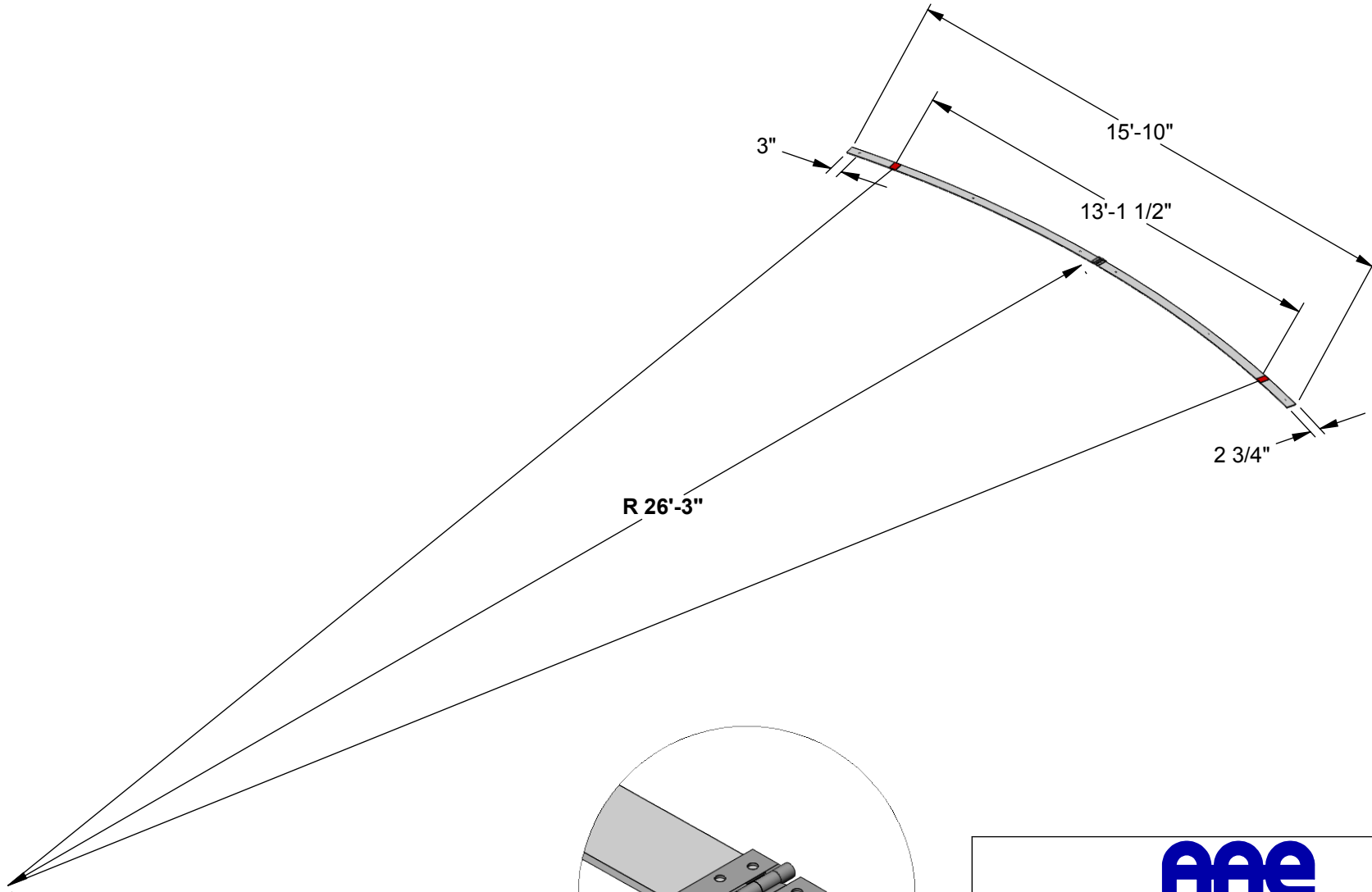


**AAE Model No. AJS-H**  
**Aluminum Javelin Stopboard (Hinged)**



**Aluminum Athletic Equipment**  
1000 Enterprise Drive, Royersford, PA 19468  
Toll Free: (800) 523-5471 Fax: (610) 825-2378  
[www.AAEsports.com](http://www.AAEsports.com)

# AJS-H - Aluminum Javeline Stopboard (Hinged) Specifications



**Aluminum Athletic Equipment**  
1000 Enterprise Drive, Royersford, PA 19468  
Toll Free: (800) 523-5471 Fax: (610) 825-2378  
[www.AAEsports.com](http://www.AAEsports.com)

DESCRIPTION:		
<b>Aluminum Javelin Stopboard (Hinged)</b>		
NOTE:		
Specifications		
MODEL:	CATEGORY:	DATE:
AJS-H	<b>CUSTOMER</b>	3/23/2018
DWN. BY:	CAD FILE:	DWG. NO.:
CED	AJS-H Specifications	AJS-H-C-002

**AJS  
JAVELIN STOPBOARD  
INSTALLATION INSTRUCTIONS & PARTS LIST**

---

**INSTALLATION:**

1. Position the stopboard (Item no. 1A & 1B) in place. The sector lines of the stopboard should line up with the sector lines on the track (or throwing surface), and be centered in the throwing sector (See Drawing No. AJS-C-001 for diagram). Establish the locations for installing the concrete anchors, and use a permanent marker to mark their positions (6 places).
2. Remove the stopboard. Using a 3/4" diameter masonry bit (not included), drill 2 (two) holes, 2-1/2" deep, at the marked locations.
3. Install concrete expansions shields (Item No. 2), threaded side down, into the holes and tap flush with the concrete surface.
4. Set stopboard back into place and attach with 3/8"-16 x 3" flathead screw (Item No. 3). Tighten screws firmly to expand concrete anchors into place.

**PARTS LIST:**

- |    |                  |   |   |
|----|------------------|---|---|
| 1. | AJS Stopboard    | 1/4" high x 2-3/4" wide x 15'-10" aluminum stopboard,<br>13' -1-1/2" sector | 2 |
| 2. | Expansion Shield | 3/8"-16 x 2" Loxin machine bolt concrete double expansion<br>shield         | 6 |
| 3. | Flathead Screw   | 3/8"-16 x 3" flathead screw, s.s.   | 6 |

**FOR TECHNICAL ASSISTANCE, CALL 1-800-523-5471**