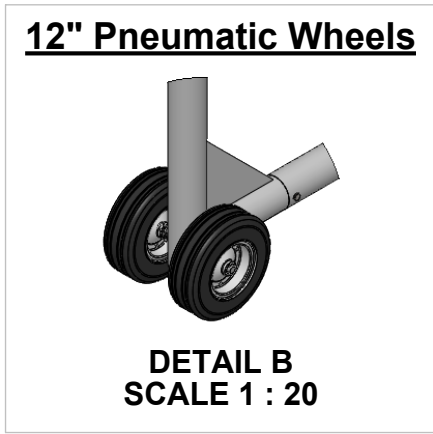
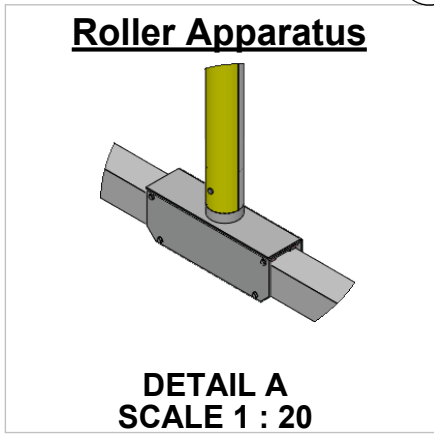
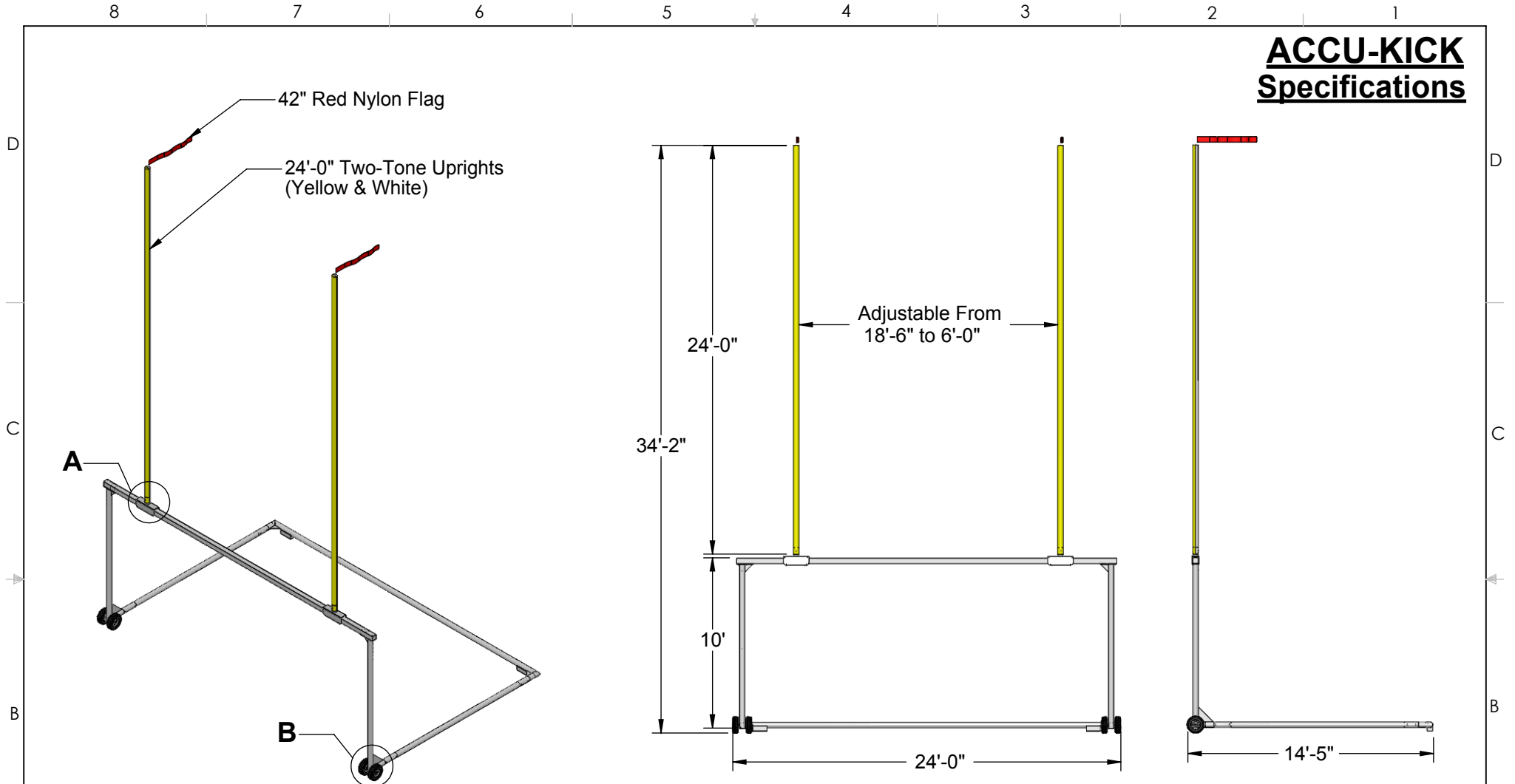



AAE Model No.: AK-APFG

ACCU-KICK Specifications

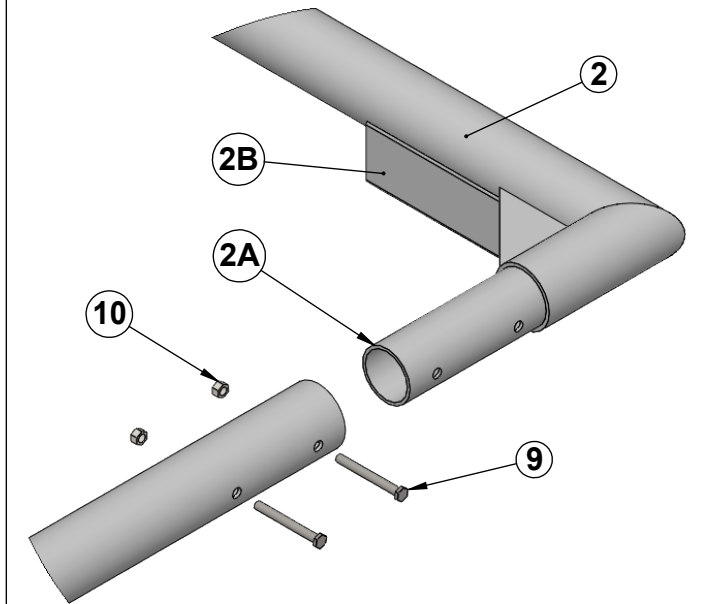


 Aluminum Athletic Equipment 1000 Enterprise Drive, Royersford, PA 19468 Toll Free: (800) 523-5471 Fax: (610) 825-2378 www.AAEsports.com		
DESCRIPTION		
Accu-Kick Football Goal - Specifications		
NOTE: Universal 24' Uprights		
MODEL:	CATEGORY:	DATE:
AK-APFG	CUSTOMER	07/21/11
DRAWN BY:	CAD FILE:	DWG. NO.
TAD	AK-APFG Packet	AK-APFG-C-001

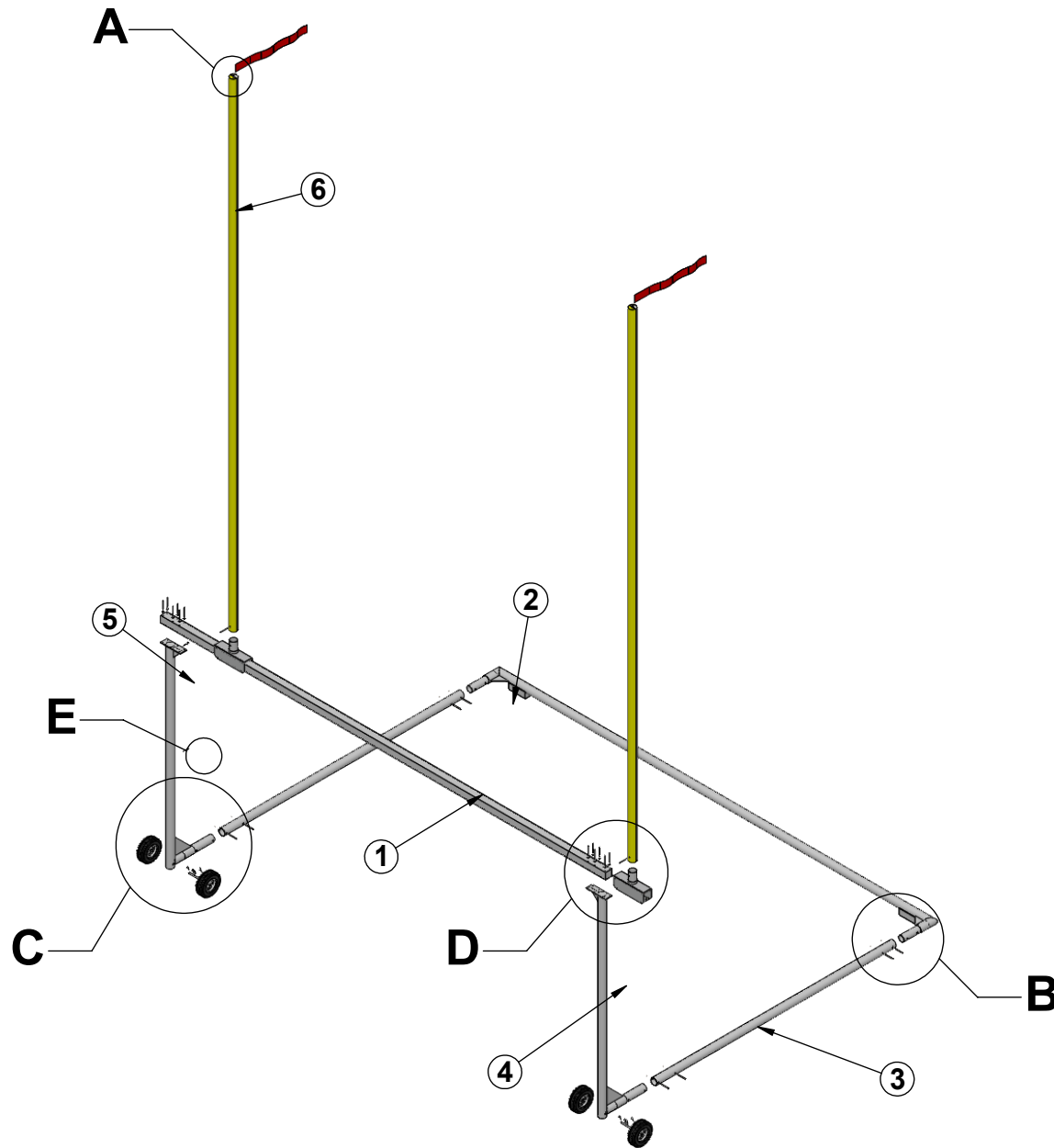
ACCU-KICK

Sub-Assembly 1

Groundbar Assembly



DETAIL B
SCALE 1 : 10



Aluminum Athletic Equipment
1000 Enterprise Drive, Royersford, PA 19468
Toll Free: (800) 523-5471 Fax: (610) 825-2378
www.AAEsports.com

DESCRIPTION

Accu-Kick Assembly & Groundbar Assembly

NOTE:

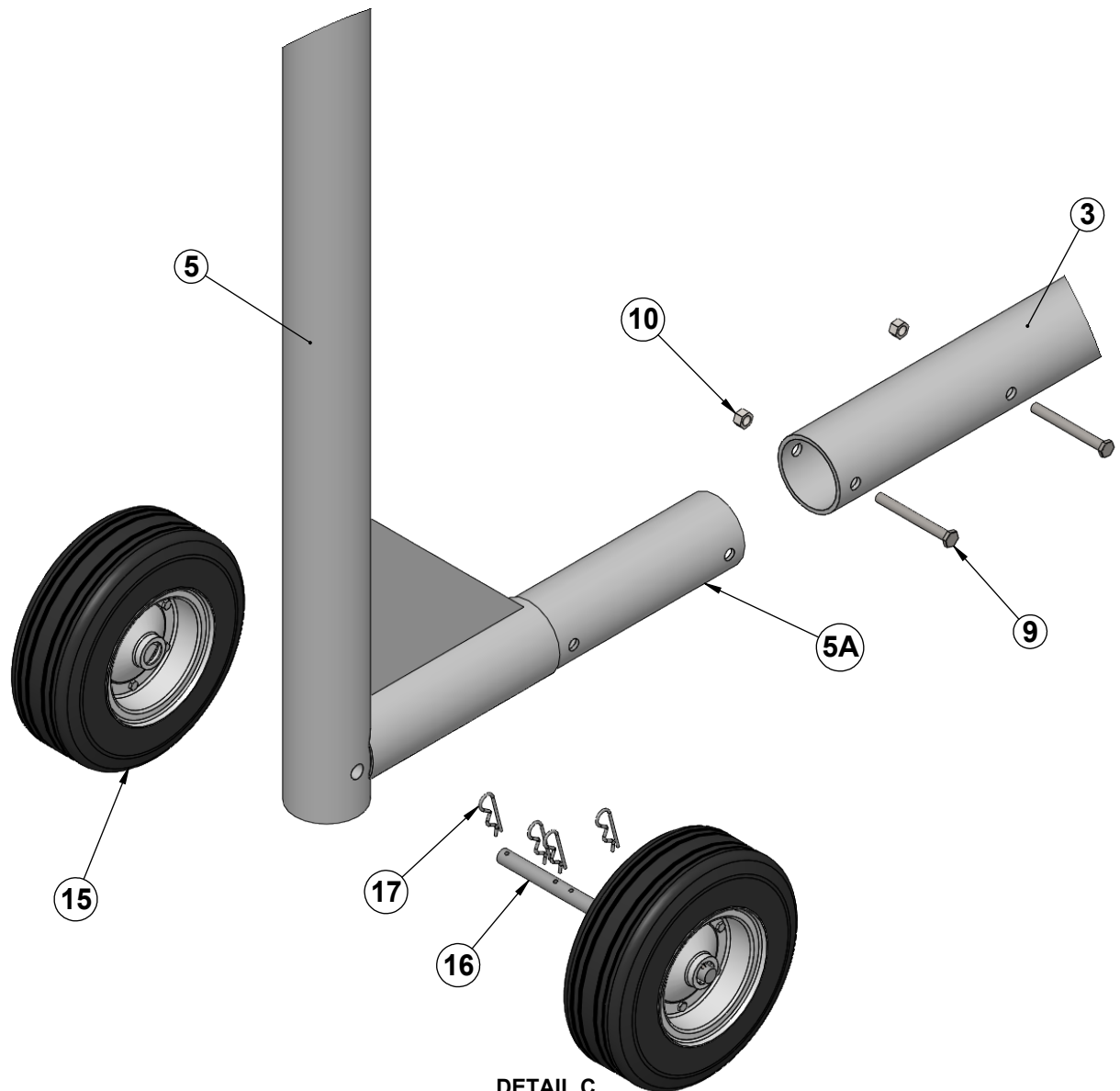
Sub-Assembly Drawings A, C, & E are on page 2 and D on page 3.

MODEL:	AK-APFG	CATEGORY:	CUSTOMER	DATE:	07/21/11
DRAWN BY:	TAD	CAD FILE:	AK-APFG Packet	DWG. NO.:	AK-APFG-C-002

ACCU-KICK

Sub-Assembly 2

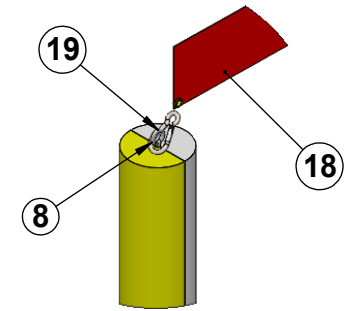
Wheel & Side Groundbar Assembly



DETAIL C
Scale 1:10

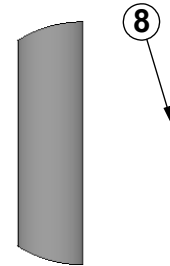
Item No. 4A Not Shown
Respectively Item No. 4's Sleeve

Flag Assembly



DETAIL A
SCALE 1 : 10

Eyebolt Assembly



DETAIL E
SCALE 1 : 12



Aluminum Athletic Equipment
1000 Enterprise Drive, Royersford, PA 19468
Toll Free: (800) 523-5471 Fax: (610) 825-2378
www.AAEsports.com

DESCRIPTION

Wheel, Apparatus, & Flag Assembly (Detail "A", "C", & "E")

NOTE:

Sub-Assembly 2 (Page 2)

MODEL:

AK-APFG

CATEGORY:

CUSTOMER

DATE:

07/21/11

DRAWN BY:

TAD

CAD FILE:

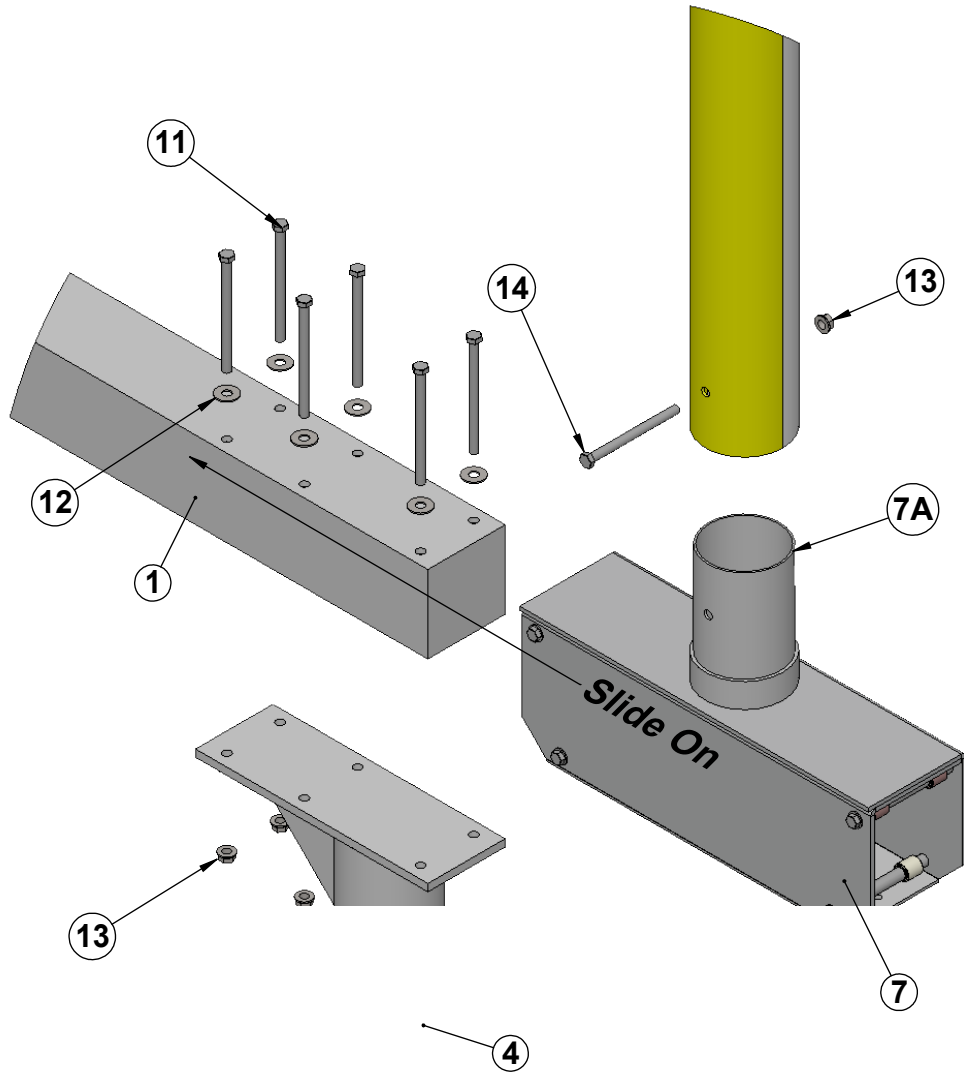
AK-APFG Packet

DWG. NO.

AK-APFG-C-003

**Leg Upright, Field Goal Upright,
& Roller Apparatus Assembly**

ACCU-KICK
Sub-Assembly 3



DETAIL D
Scale 1:7



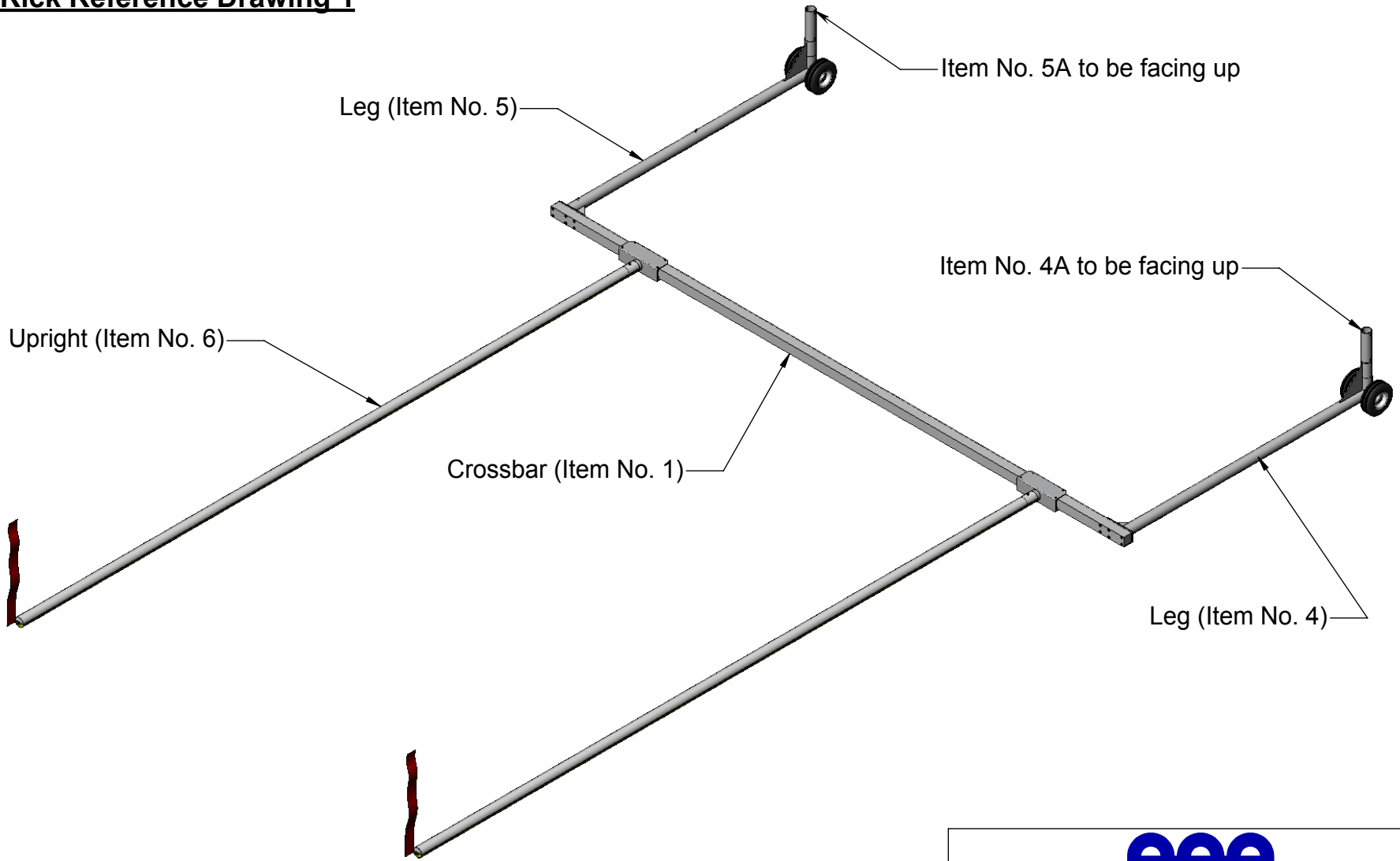
Aluminum Athletic Equipment
1000 Enterprise Drive, Royersford, PA 19468
Toll Free: (800) 523-5471 Fax: (610) 825-2378
www.AAEsports.com


DESCRIPTION		
Upright/Apparatus Assembly (Detail "D")		
NOTE: Sub-Assembly 3 (Page 3)		
MODEL:	CATEGORY:	DATE:
AK-APFG	CUSTOMER	07/21/11
DRAWN BY:	CAD FILE:	DWG. NO.:
TAD	AK-APFG Packet	AK-APFG-C-004

Upright & Leg Positioning

Accu-Kick Reference Drawing 1

D
C
B
A



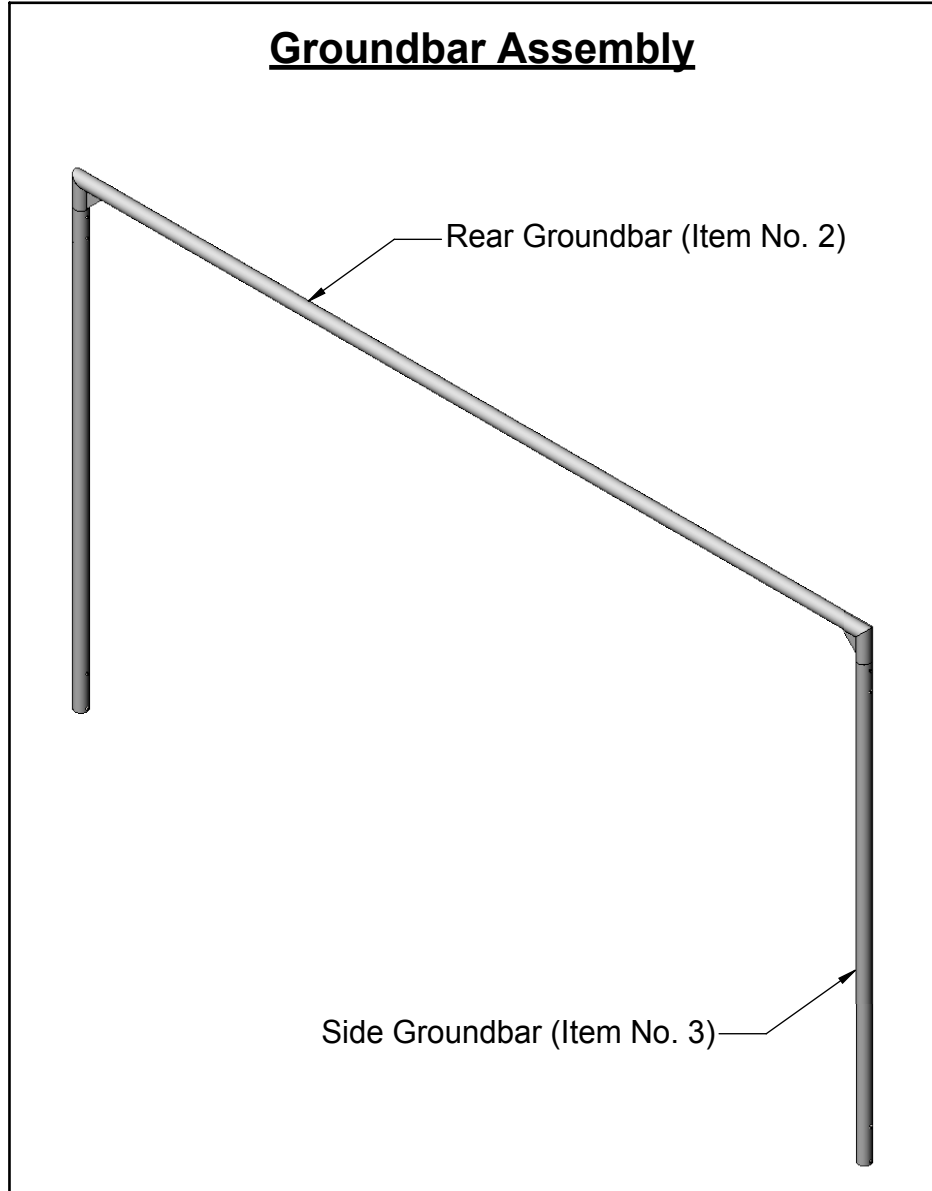
 Aluminum Athletic Equipment 1000 Enterprise Drive, Royersford, PA 19468 Toll Free: (800) 523-5471 Fax: (610) 825-2378 www.AAEsports.com		
DESCRIPTION		
Upright & Leg Positioning		
NOTE:		
Accu-Kick Reference Drawing 1		
MODEL:	CATEGORY:	DATE:
AK-APFG	CUSTOMER	07/21/11
DRAWN BY:	CAD FILE:	DWG. NO.:
TAD	AK-APFG Packet	AK-APFG-C-005

6 5 4 3 2 1

Side Groundbar & Back Grounbar Positioning

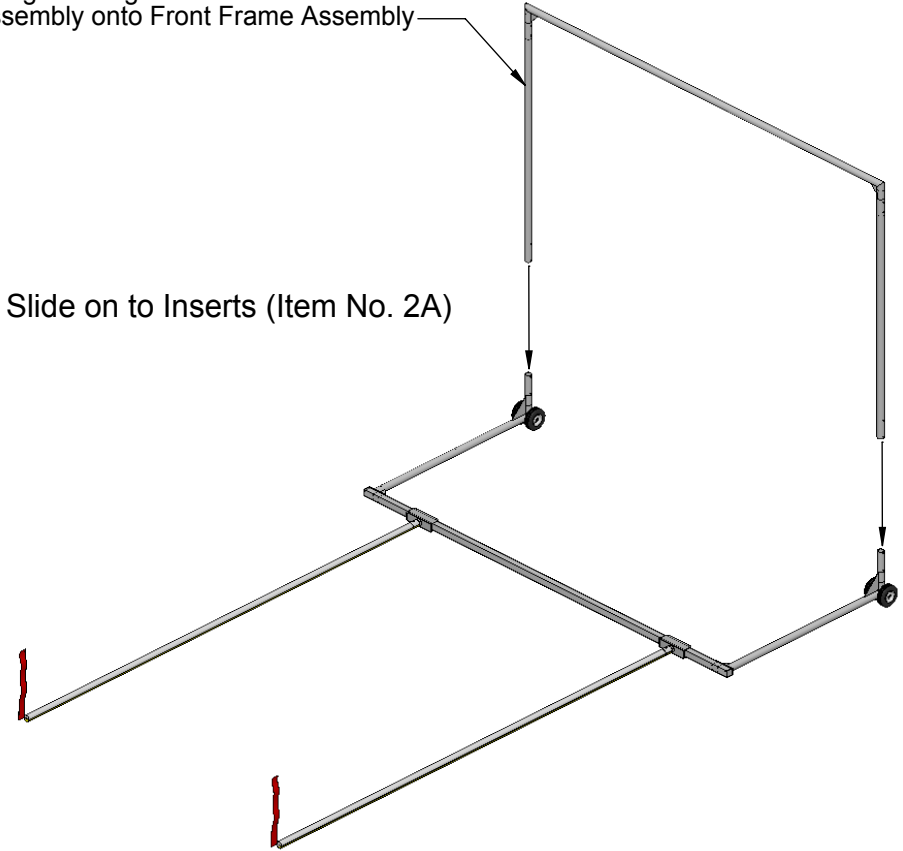
Accu-Kick Reference Drawing 2

Groundbar Assembly



Using 4 Men guide Groundbar Assembly onto Front Frame Assembly

Slide on to Inserts (Item No. 2A)



Aluminum Athletic Equipment
 1000 Enterprise Drive, Royersford, PA 19468
 Toll Free: (800) 523-5471 Fax: (610) 825-2378
www.AAEsports.com

DESCRIPTION		
Side Groundbar & Back Grounbar Positioning		
NOTE: Accu-Kick Reference Drawing 2		
MODEL:	CATEGORY:	DATE:
AK-APFG	CUSTOMER	07/21/11
DRAWN BY:	CAD FILE:	DWG. NO.:
TAD	AK-APFG Packet	AK-APFG-C-006