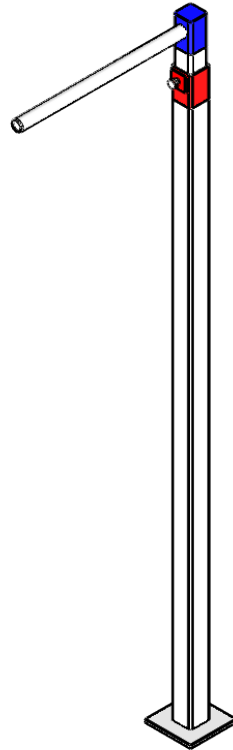
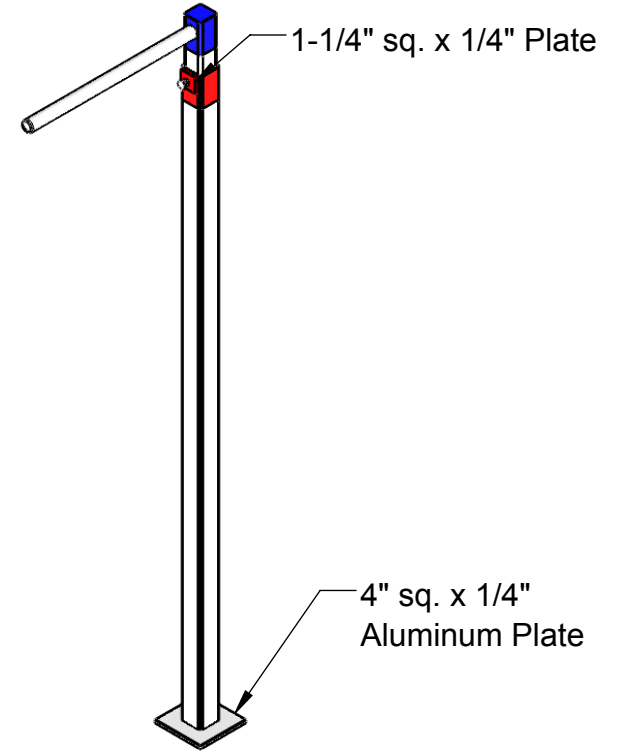
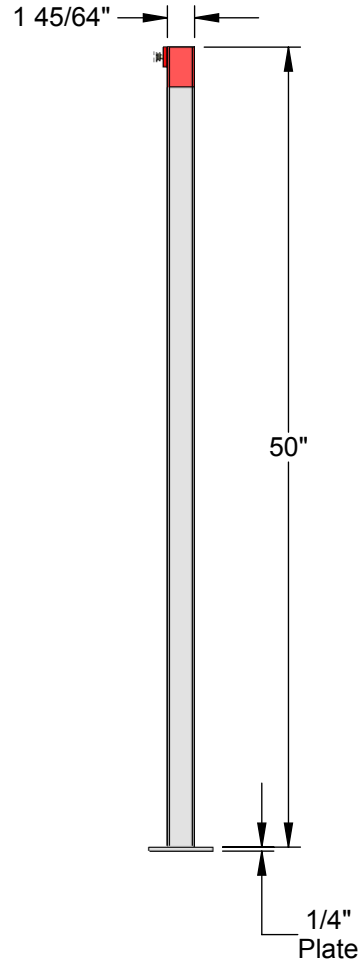
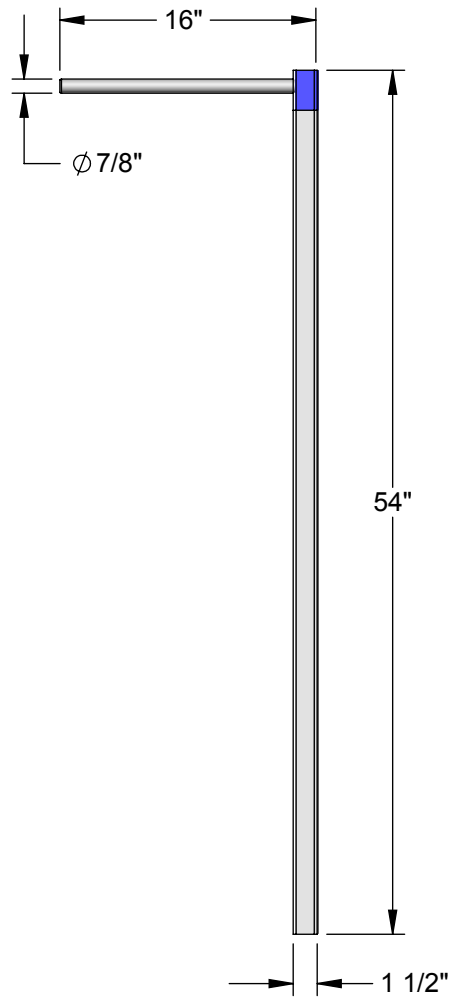


AAE Model No. AMB-3 High Jump Measuring Device



Aluminum Athletic Equipment
1000 Enterprise Drive, Royersford, PA 19468
Toll Free: (800) 523-5471 Fax: (610) 825-2378
www.AAEsports.com

AMB-3 Specifications



Aluminum Athletic Equipment
 1000 Enterprise Drive, Royersford, PA 19468
 Toll Free: (800) 523-5471 Fax: (610) 825-2378
www.AAEsports.com

| | | |
|-------------------------------|----------------------|-------------|
| DESCRIPTION: | | |
| AMB-3 - Specifications | | |
| NOTE: | | |
| MODEL: | CATEGORY: | DATE: |
| AMB-3 | CUSTOMER | 2/27/2018 |
| DWN. BY: | CAD FILE: | DWG. NO.: |
| CED | AMB-3 Specifications | AMB-3-C-002 |