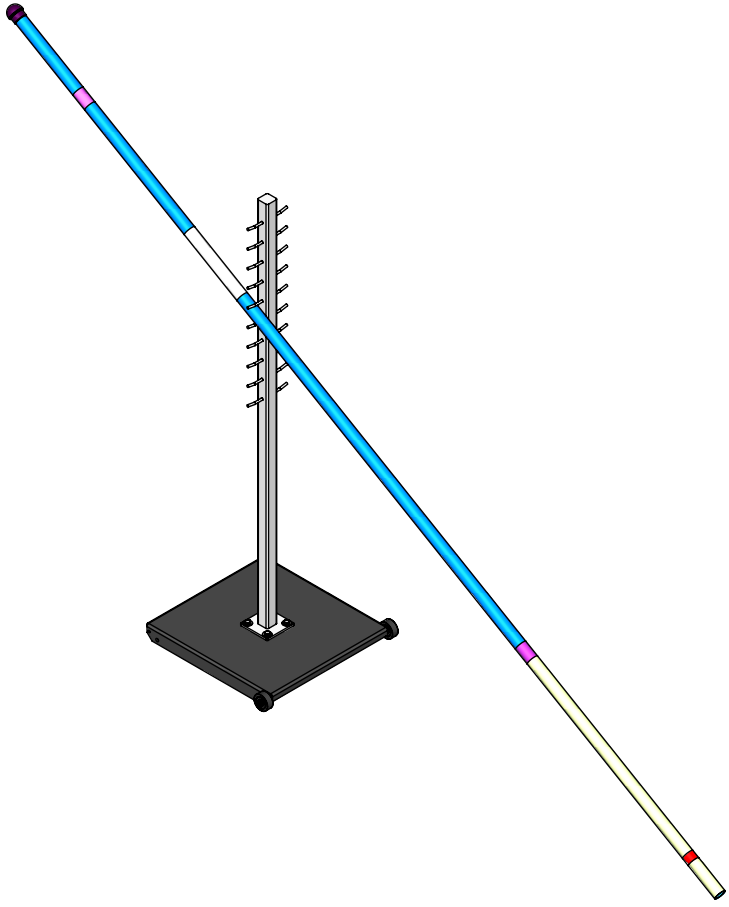


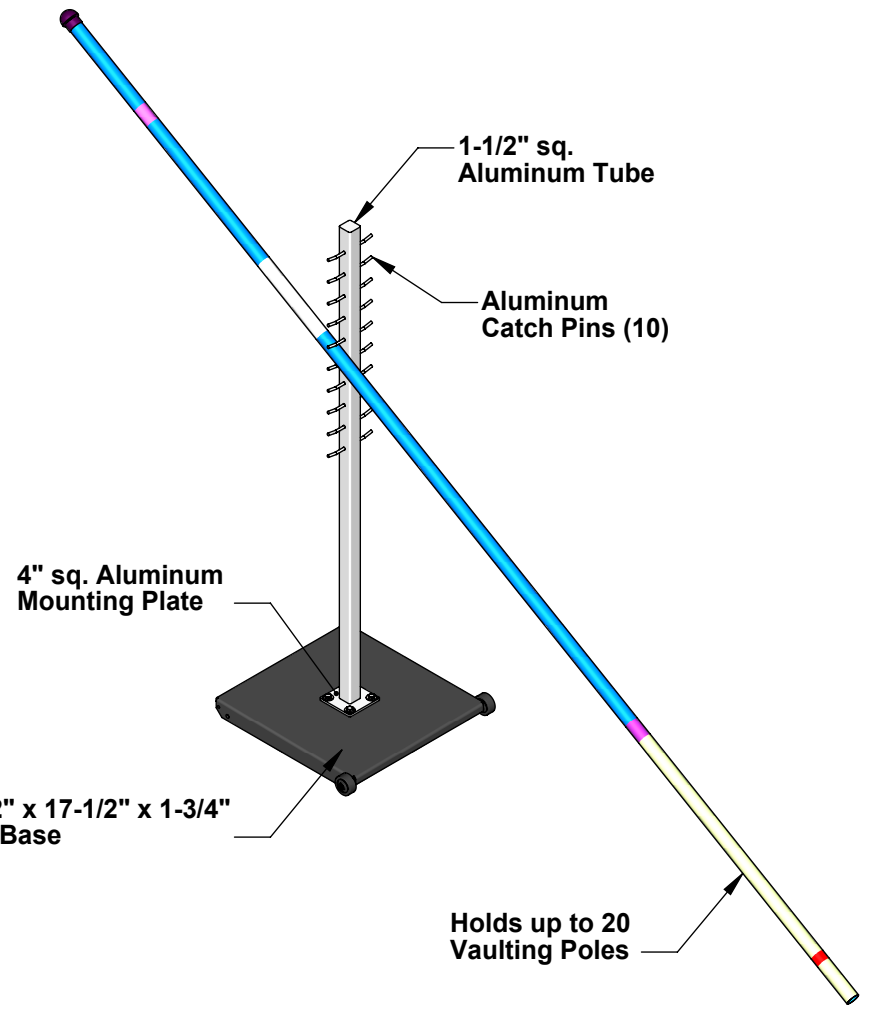
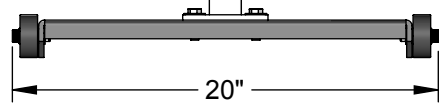
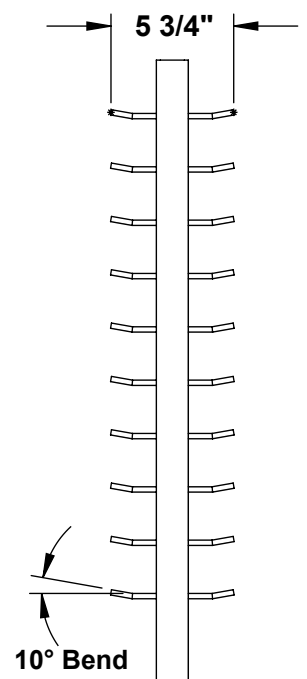
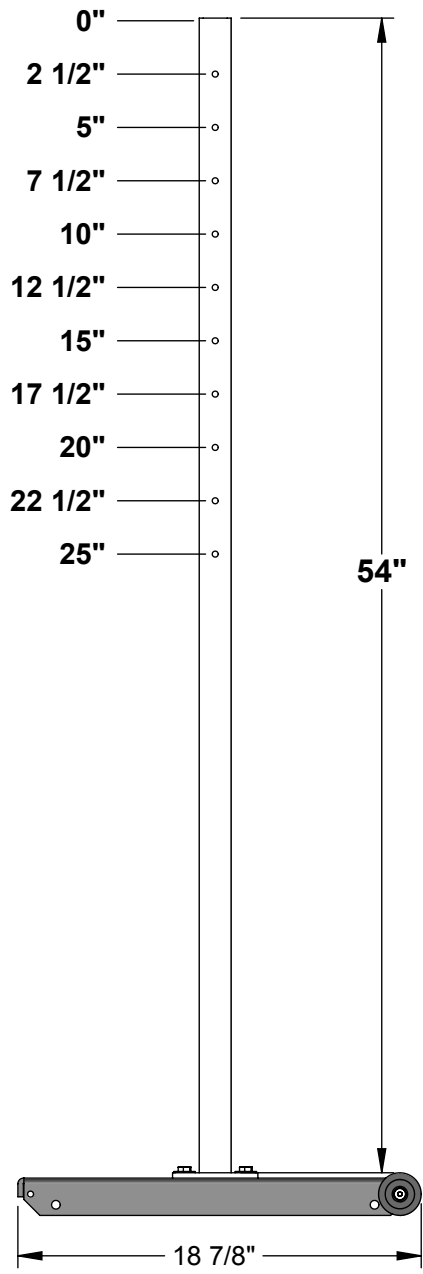
AAE Model No. APT
Aluminum Pole Tree



Aluminum Athletic Equipment
1000 Enterprise Drive, Royersford, PA 19468
Toll Free: (800) 523-5471 Fax: (610) 825-2378
www.AAEsports.com

APT - Specifications

D
C
B
A



D
C
B
A



Aluminum Athletic Equipment
1000 Enterprise Drive, Royersford, PA 19468
Toll Free: (800) 523-5471 Fax: (610) 825-2378
www.AAEsports.com

DESCRIPTION			
APT - Specifications			
NOTE: Aluminum Pole Tree Specifications			
MODEL: APT	CATEGORY: SHOP	OPERATIONS: 0 of 0	DATE: 11/26/02
DRAWN BY: TAD	FILE NAME: APT Specifications	DWG. NO. APT-C-001	

8 7 6 5 4 3 2 1

8 7 6 5 4 3 2 1