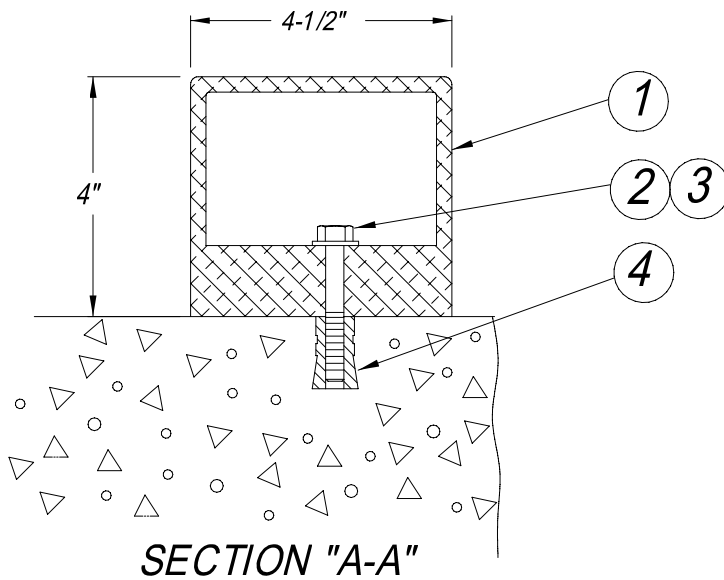
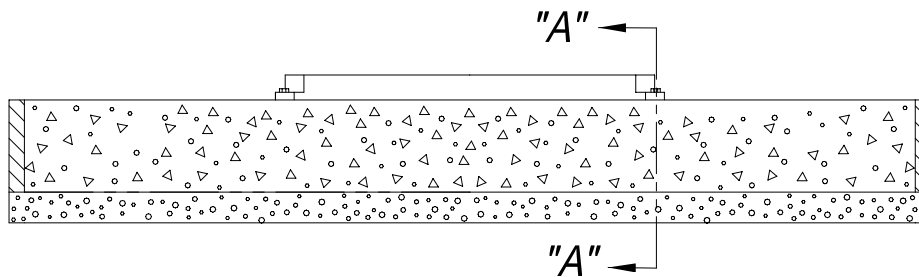
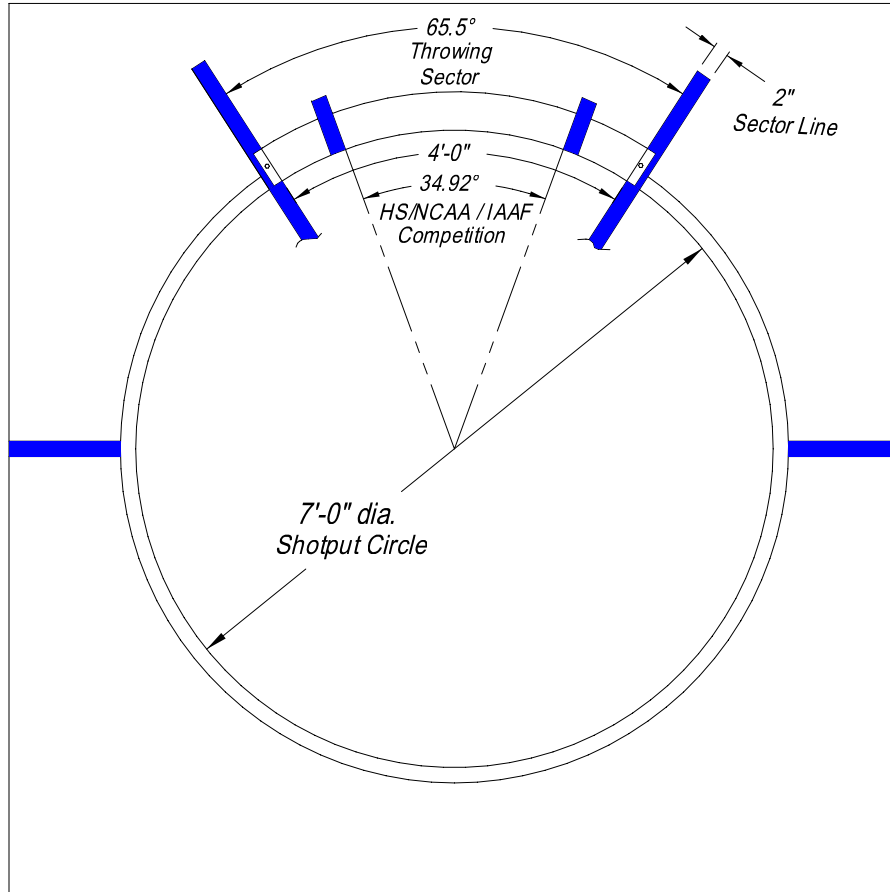


ATB

Shotput Toe Board for use with a level pad



Rev. A - 1/6/05 - 2" Sector Line aligned with correct 34.92 deg. rulings.



**ALUMINUM
ATHLETIC
EQUIPMENT**

1000 Enterprise Drive, Royersford, PA 19468
Phone: (610)-825-6565 Toll-free: 1-800-523-5471

DESCRIPTION

ATB - SHOTPUT TOE BOARD

MODEL NO.

ATB

ITEM

DATE:

11/07/91

DWN. BY:

REV.

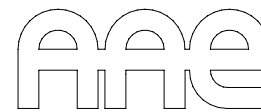
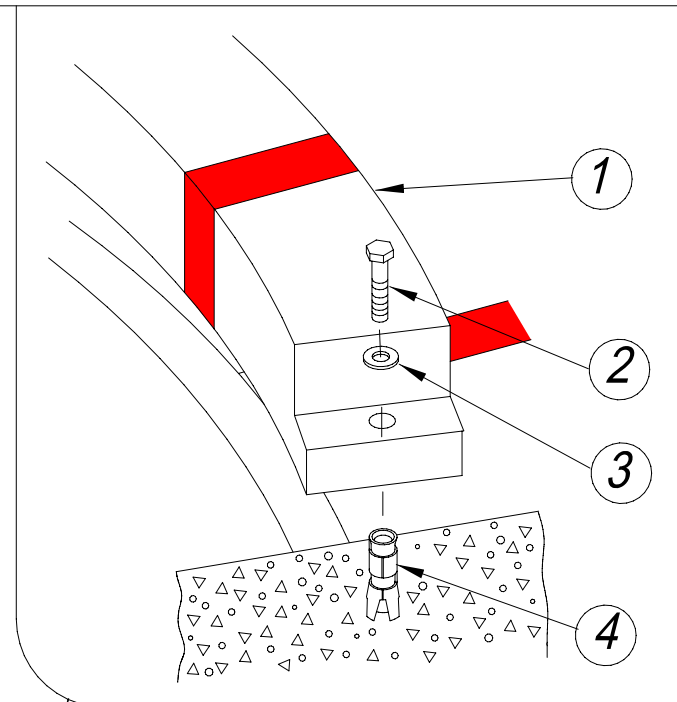
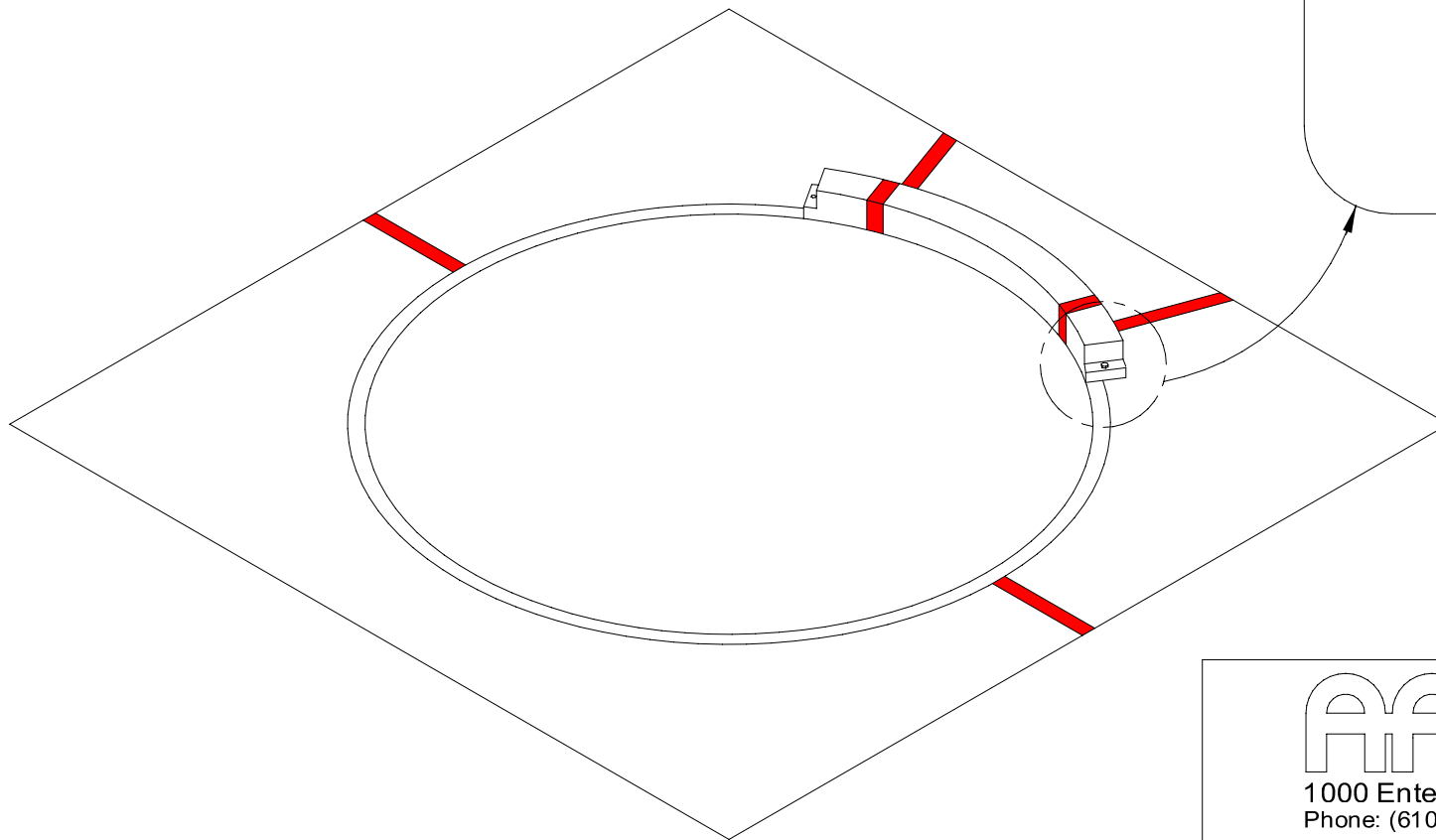
A-1/6/05

DWG. NO.

AAE-69b

ATB - Isometric Assembly

Shotput Toe Board for use with a level pad



**ALUMINUM
ATHLETIC
EQUIPMENT**

1000 Enterprise Drive, Royersford, PA 19468
Phone: (610)-825-6565 Toll-free: 1-800-523-5471

DESCRIPTION

ATB - ISOMETRIC ASSEMBLY

MODEL NO.

ATB

ITEM

DATE:

9/24/91

DWN. BY:

S/C

.045

REV.

DWG. NO.

AAE-104

**ATB (for use with a level pad)
SHOTPUT TOE BOARD
INSTALLATION INSTRUCTIONS & PARTS LIST**

INSTALLATION:

1. Position the toe board (Item no. 1) in place. The inner edge of the toe board should line up with the inside diameter of the painted circle, and be centered in the throwing sector (See Drawing No.AAE-69 for diagram). Establish the locations for installing the concrete anchors.
2. Remove the toe board. Using a 3/4" diameter masonry bit (not included), drill 2 (two) holes, 2-1/2" deep, at the marked locations.
3. Install concrete expansions shields (Item No. 4), threaded side down, into the holes and tap flush with the concrete surface.
4. Set toe board back into place and attach with 3/8"-16 x 2-1/2" machine bolts, and 3/8" diameter washers (Item nos. 2 & 3). Tighten bolts firmly to expand concrete anchors into place.

PARTS LIST:

Pt#	Item	Description	Qty.
1	ATB Toe Board	4" high x 4-1/2" wide x .250 wall, cast aluminum toe board, 4' sector	1
2	Bolt	3/8"-16 x 2-1/2" S.S.	2
3	Washer	3/8"-16 S.S.	2
4	Expansion shield	3/8"-16 x 2" Loxin machine bolt concrete double expansion shield	2