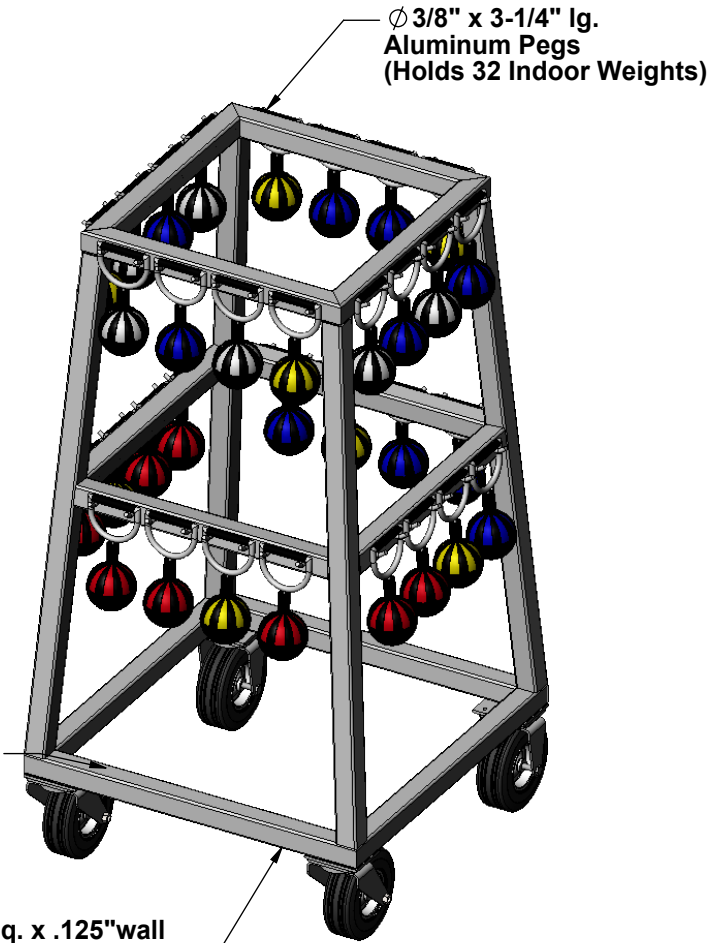
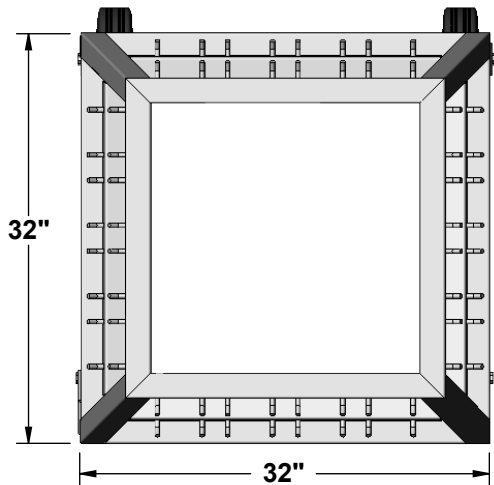
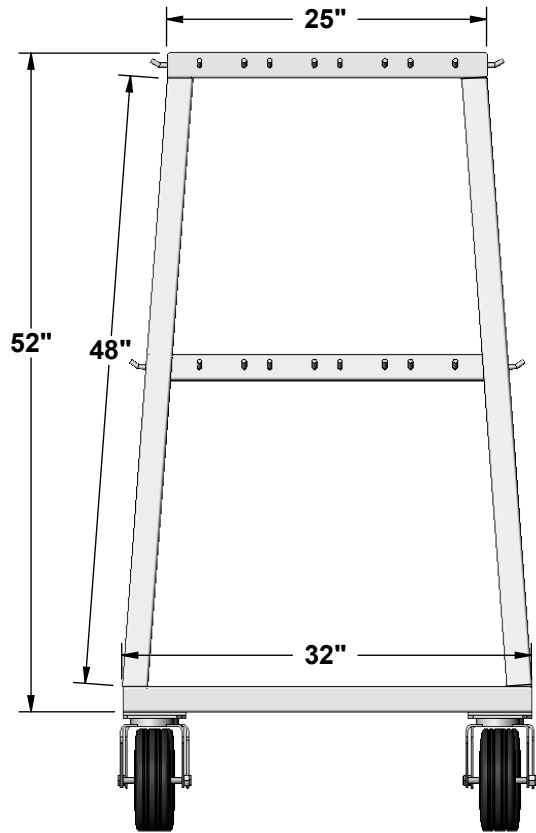


AWR - Specifications



8" Diameter
Semi-pneumatic
Swivel & Fixed
Wheel Casters

Welded 2"sq. x .125"wall
Aluminum Tubular Frame

Ø 3/8" x 3-1/4" lg.
Aluminum Pegs
(Holds 32 Indoor Weights)



Aluminum Athletic Equipment
1000 Enterprise Drive, Royersford, PA 19468
Toll Free: (800) 523-5471 Fax: (610) 825-2378
www.AAEsports.com

DESCRIPTION			
Aluminum Weight Rack - Specifications			
NOTE: Indoor 35 lbs. Weight Rack			
MODEL:	AWR	CATEGORY:	CUSTOMER
		DATE:	03/24/03
DWN. BY:	FILE NAME:	DWG. NO.	
TAD	AWR Specifications	AWR-C-001	