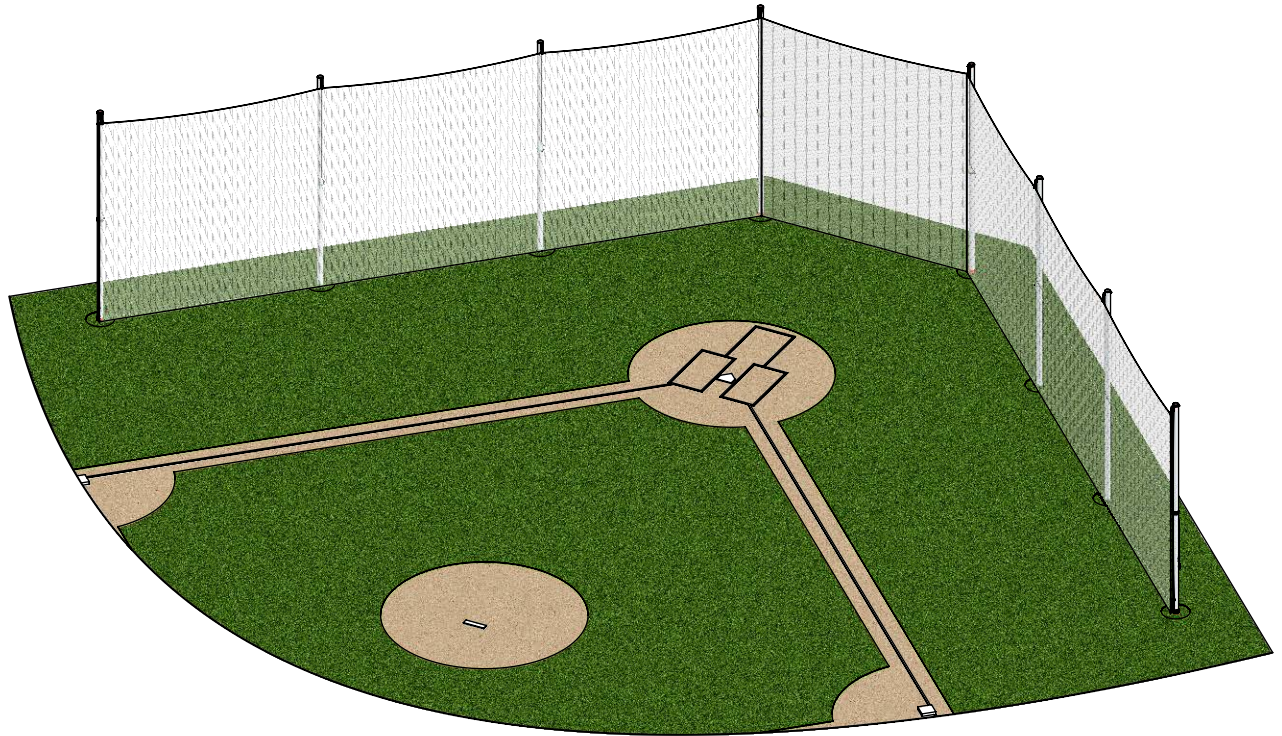


BBS-20
20' High Baseball BackStopper System
Specification



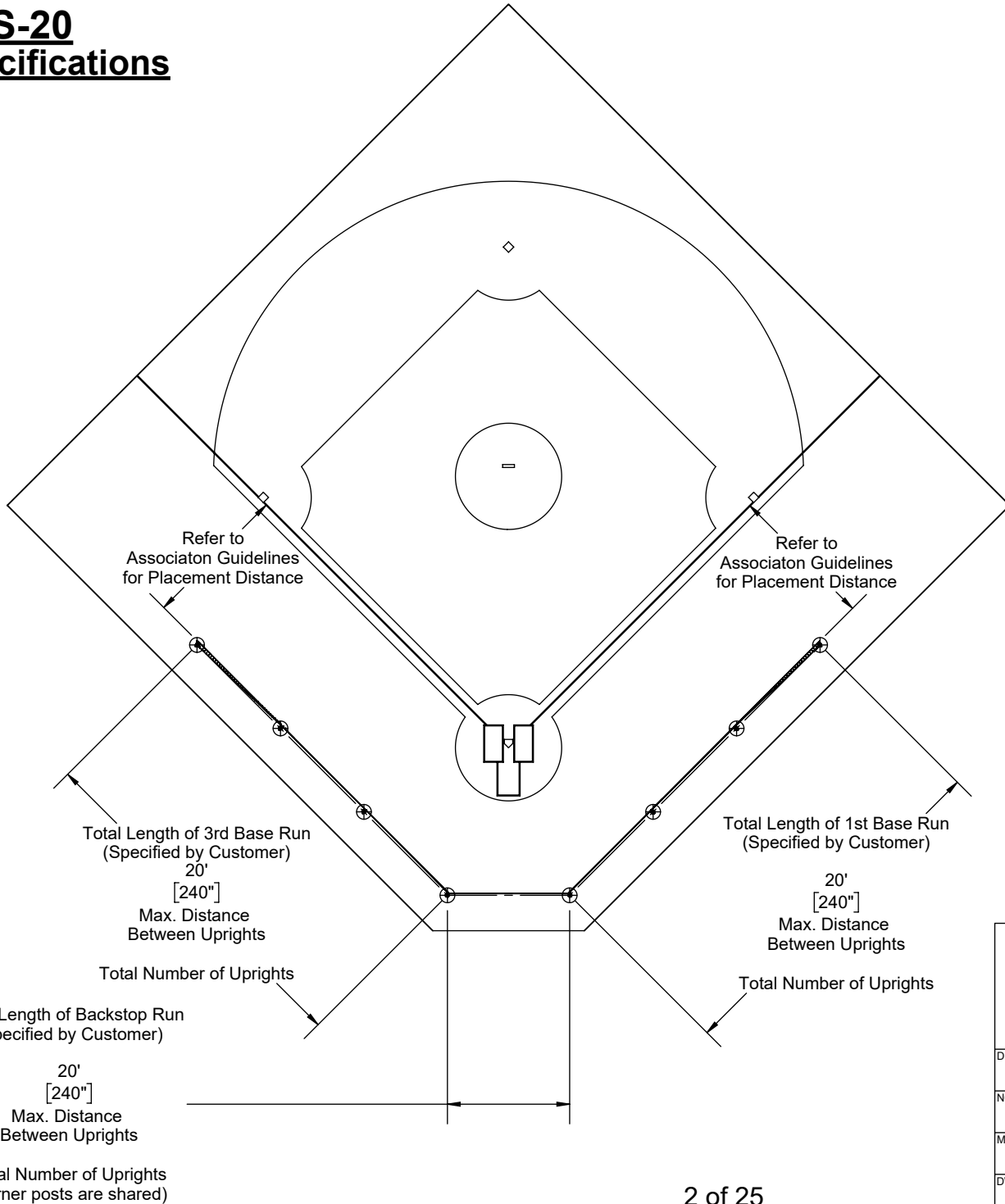
BBS-20 Specifications

D

C

B

A



Notes:

1. Total number of Uprights per run, is determined by dividing the runs length evenly. with the resulting sections not exceeding 20' on center.
2. **Diagram shown is for reference only, actual system layout (number and placements of uprights) may differ from what is shown**



Aluminum Athletic Equipment
1000 Enterprise Drive, Royersford, PA 19468
Toll Free: (800) 523-5471 Phone: (610) 825-6565
www.aaesports.com

DESCRIPTION: Concrete Footing Placement Specification		
NOTE: 20' HIGH BASEBALL BACKSTOPPER SYSTEM		
MODEL: BBS-20	CATEGORY: CUSTOMER	DATE: 4/12/2021
DWN. BY: NR	CAD FILE: BBS-20 Specifications	DWG. NO. BBS-20-C-002

6

5

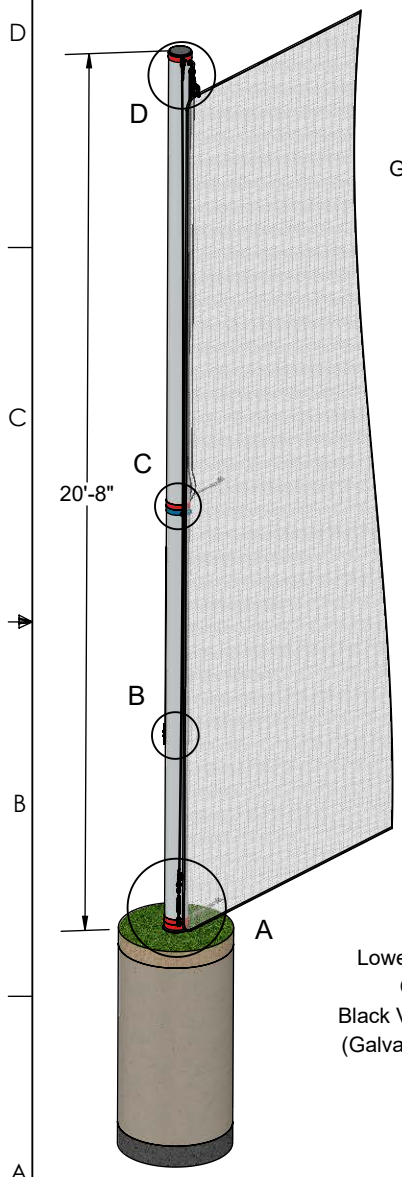
4

3

2

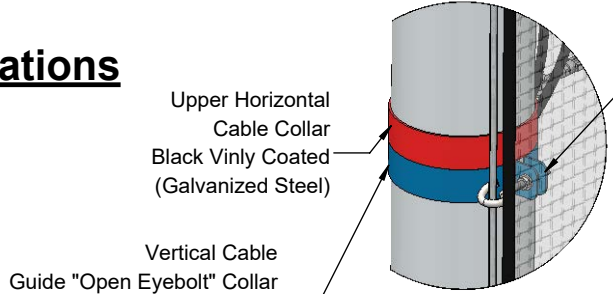
1

BBS-20 Upright Specifications

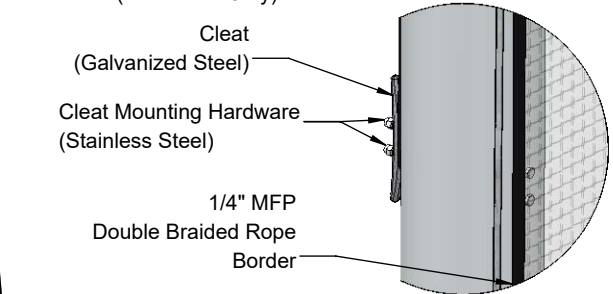


Left End Post
(hardware configuration dependent on post location)

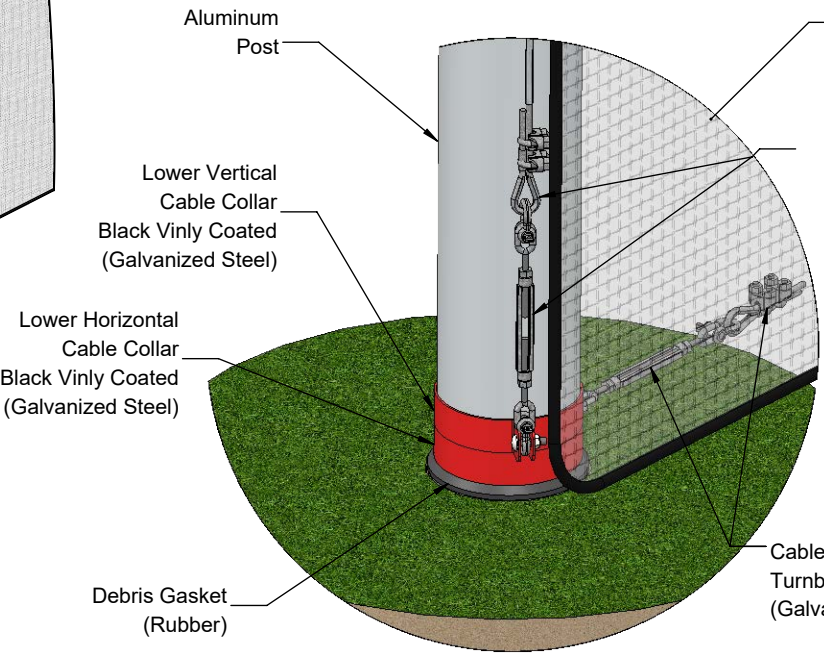
Note: Collars are Black in color, shown in different colors to aid in identification.



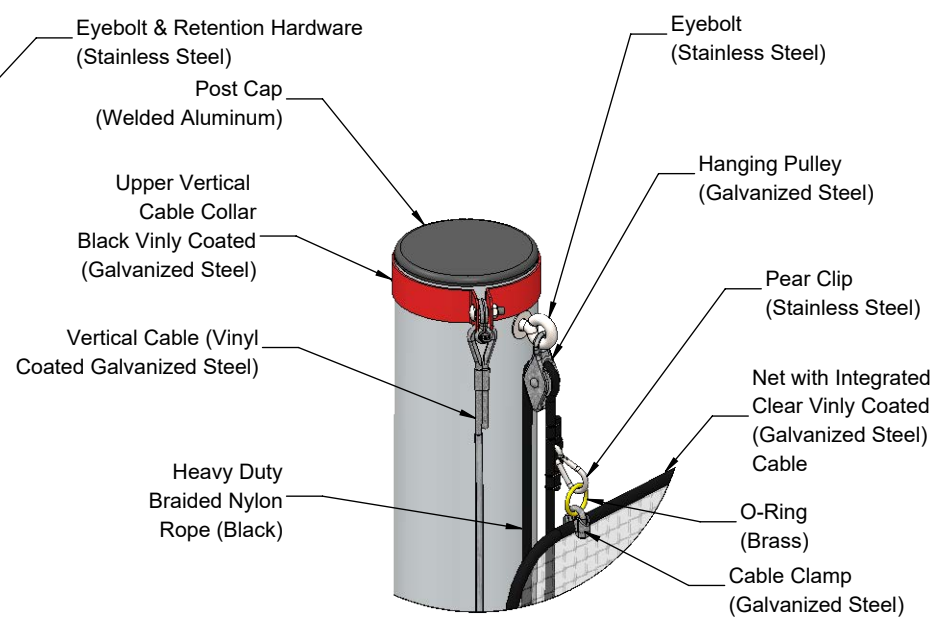
DETAIL C



DETAIL B



DETAIL A



DETAIL D

Netting (Height varies with wall height, if applicable)
Cable Endloop & Turnbuckle Hardware (Galvanized Steel)

BBS-20 Specifications

Post (Aluminum):

- $\phi 6''$ x .188" wall aluminum tube (Mill Aluminum 6061T6)
- 24'-0" Overall Length (20'-8" out of ground sleeve)
- Weight = 97lbs./ea.
- All Hardware is RUSTPROOF

Netting:

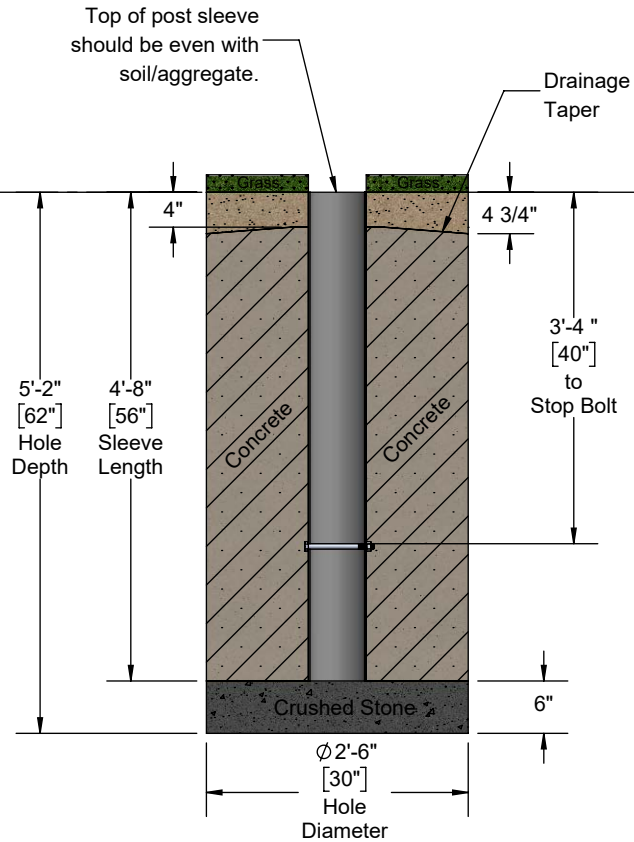
- Net: #AAE N361-#36, 1-3/4" sq. knotted Nylon, DBB, length to vary, 1/4" MFP Rope Border, UV protected and 1/4" cable hog tied to top of net



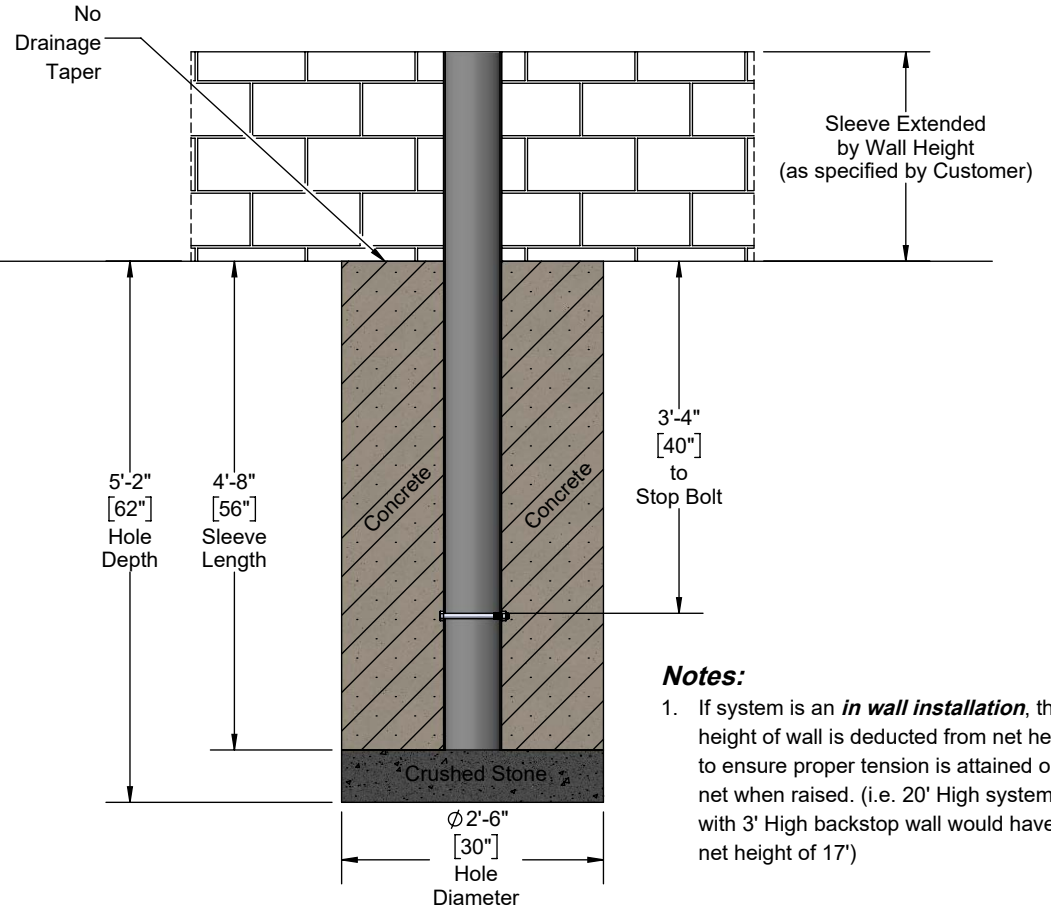
Aluminum Athletic Equipment
1000 Enterprise Drive, Royersford, PA 19468
Toll Free: (800) 523-5471 Phone: (610) 825-6565
www.aaesports.com

DESCRIPTION			Upright Specification		
NOTE:			Upright Assembly Specification		
MODEL:	BBS-20	CATEGORY:	CUSTOMER	DATE:	4/12/2021
DRAWN BY:	NR	CAD FILE:	BBS-20 Specifications	DWG. NO.:	BBS-20-C-003

BBS-20 Concrete Footing Specification



**Standard Sleeve & Footing
Natural Grass/Turf Field
Specification**



**Custom Sleeve & Footing
Post In Wall
Specification**

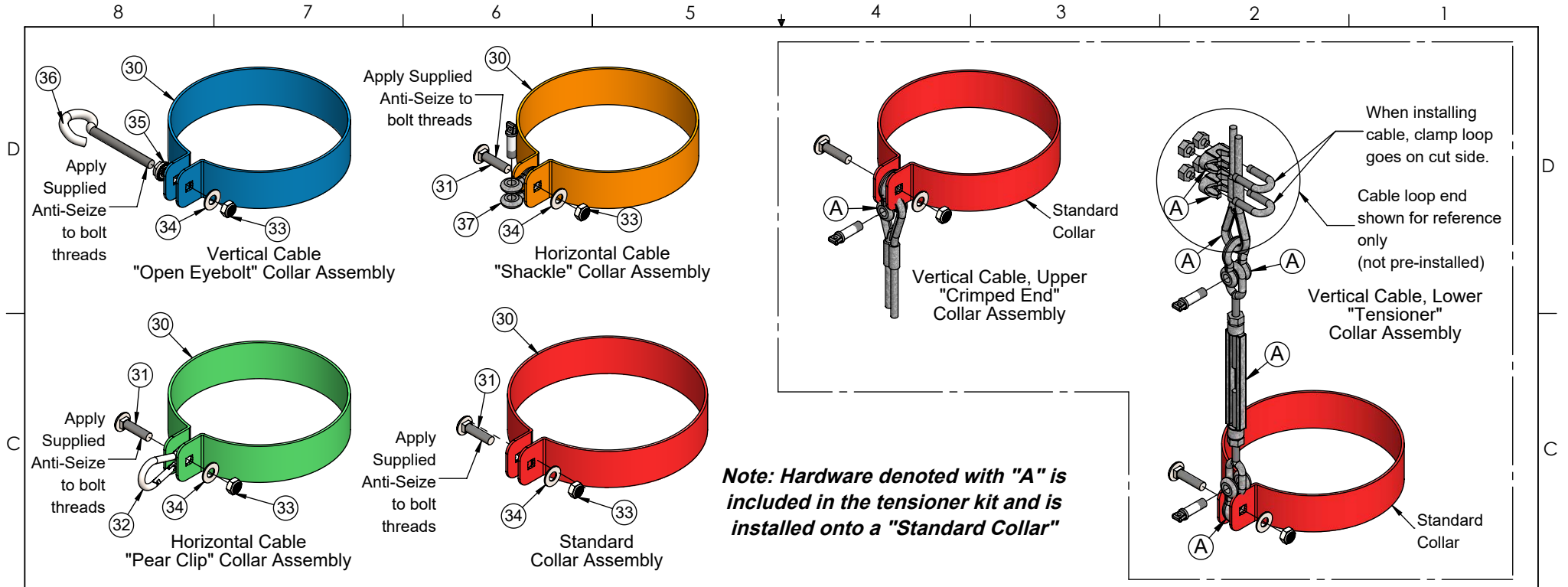
Notes:

1. If system is an *in wall installation*, then height of wall is deducted from net height, to ensure proper tension is attained on net when raised. (i.e. 20' High system with 3' High backstop wall would have a net height of 17')

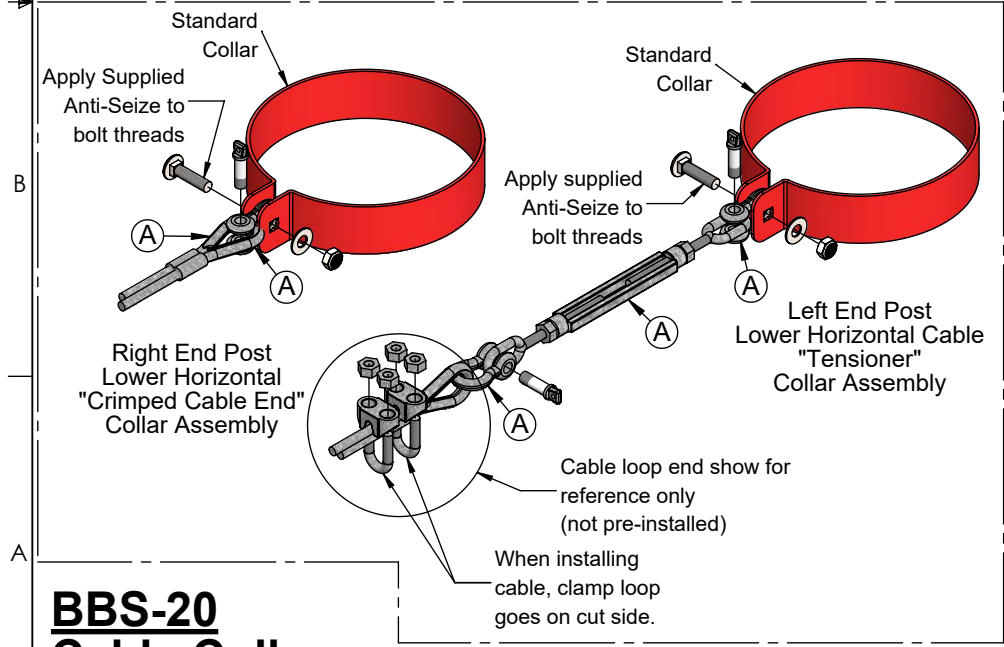


Aluminum Athletic Equipment
1000 Enterprise Drive, Royersford, PA 19468
Toll Free: (800) 523-5471 Phone: (610) 825-6565
www.aesports.com

DESCRIPTION			
Concrete Footing Specification			
NOTE: Grass & Turf Concrete Footing Specification			
MODEL:	BBS-20	CATEGORY:	CUSTOMER
		DATE:	4/12/2021
DRAWN BY:	NR	CAD FILE:	BBS-20 Specifications
		DWG. NO.:	BBS-20-C-004



Note: Hardware denoted with "A" is included in the tensioner kit and is installed onto a "Standard Collar"



BBS-20 Cable Collar Assembly Diagrams

Note: Collars are Black in color, shown in different colors to aid in identification.



ITEM NO.	Item	DESCRIPTION
30	Securing Collar	8", I.D., Securing Collar
31	Bolt	5/16"-18 x 1-1/4", Carriage bolt, SS
32	Snap	1/4", Pear Clip Snap, Plated
33	Ny-Lock Hex Nut, Thin	5/16"-18, Self Locking Nut, SS, Thin
34	Washer	5/16" Flat Washer, SS
35	Wiz-Lock Hex Nut	5/16"-18, Wiz-Lock Nut, SS
36	Open Eyebolt	5/16"-18, Open Eyebolt, SS
37	Shackle	1/4" Anchor Shackle

Aluminum Athletic Equipment
 1000 Enterprise Drive, Royersford, PA 19468
 Toll Free: (800) 523-5471 Phone: (610) 825-6565
www.aaesports.com

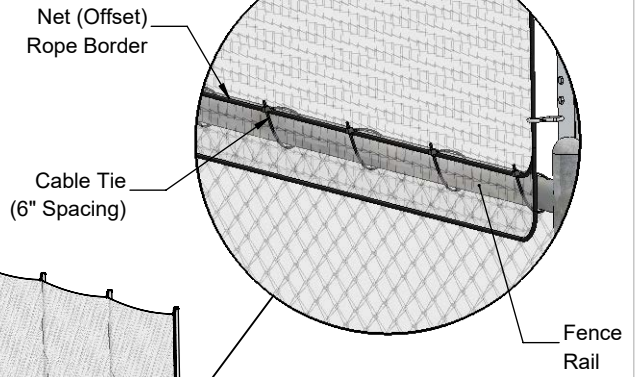
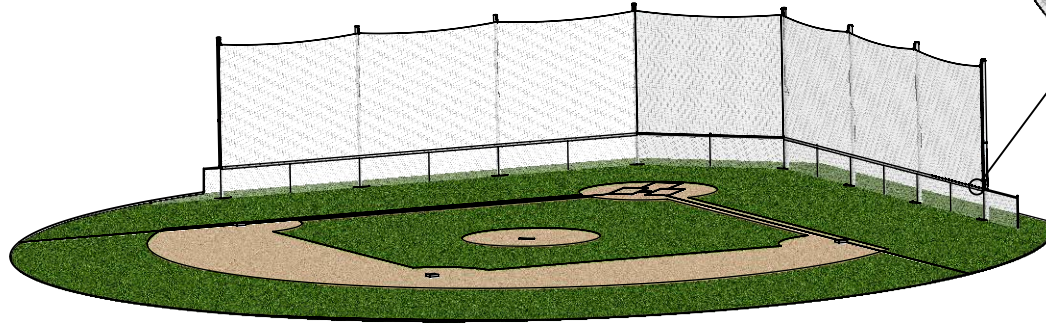
DESCRIPTION: **BBS-20 Collar assemblies**

NOTE: QTY of collar assemblies will vary depending on system

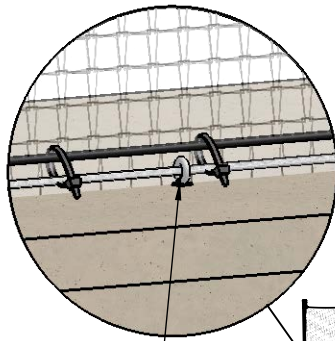
MODEL: BBS-20	CATEGORY: CUSTOMER	DATE: 4/12/2021
DRAWN BY: NR	CAD FILE: BBS-20 Specifications	DWG. NO. BBS-20-C-005

BBS-20 Configurations

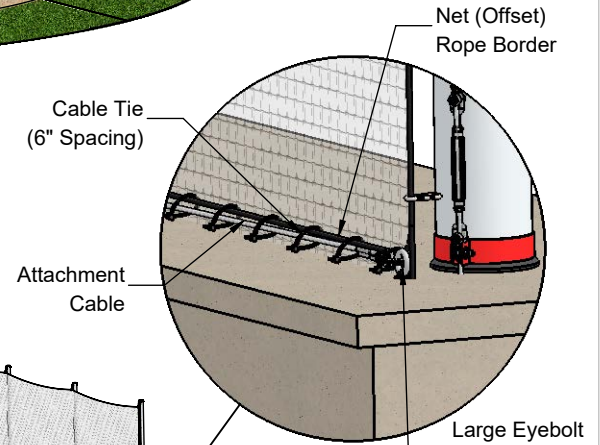
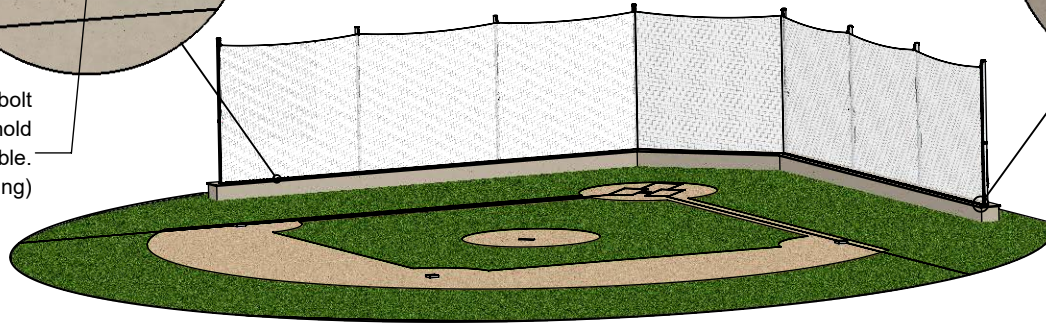
Note: Pre-Fab Approval form will need to be filled out prior to making the system, where wall/fence heights, length of net and attachment style will need to be specified.



BBS-XX/FA Fence Attachment

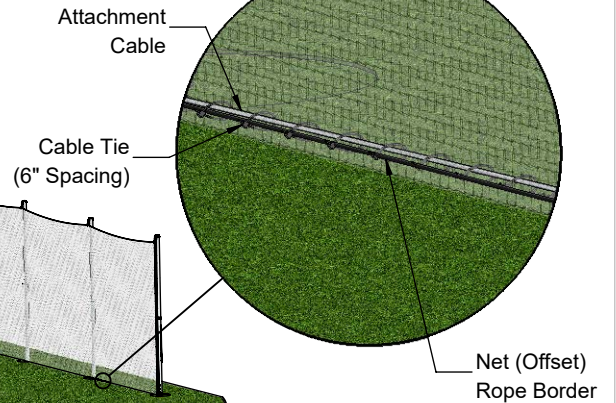
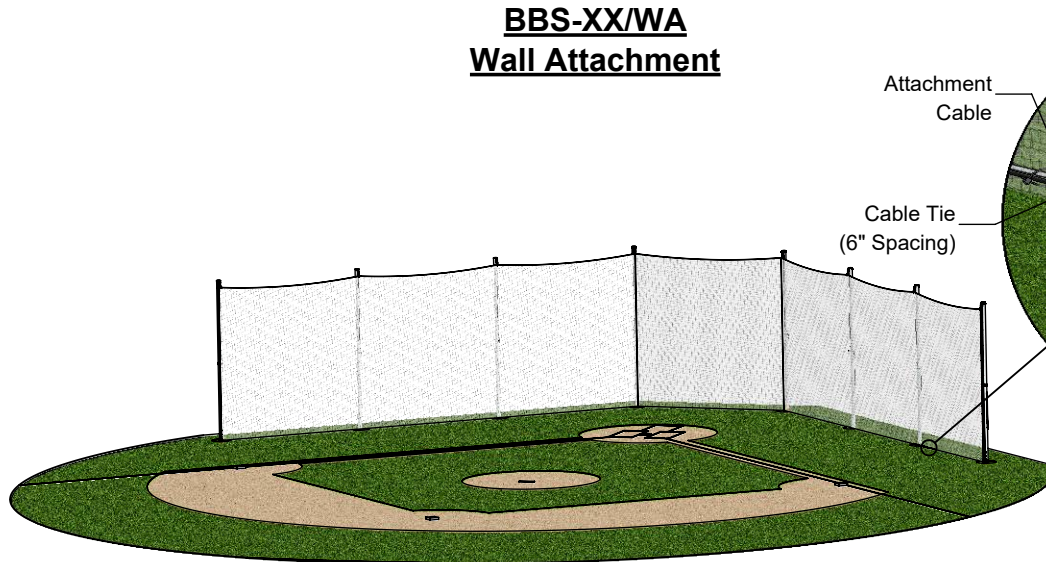


Small Eyebolt used to hold down cable. (4\"/>



Large Eyebolt used to anchor tensioned cable. Placement: at each end and in corners if run is not straight (i.e. backstop)

BBS-XX/WA Wall Attachment



BBS-XX/SA Standard Attachment

Note: XX equals specified system height (i.e. 20' height, wall attachment system = BBS-20/WA)

Model No. BBS-20/FA

Parts List

PARTS LIST			
Part List #	Item	Description	Qty.
1	Post	20' BBS System Posts w/ Cap	Ω
2	Ground Sleeve	56" Length Ground Sleeve, w/ Stop Bolt	Ω
Hanging Rope & Pulley System (Pre-Assembled)			
3	Hoist	Pre-assembled Hoist Rope/Pulley System	Ω
4	Washer	1/2" Flat Washer, SS	Σ
5	Hex Nut	1/2"-13 Hex Nut, Self Locking	Ω
Cleat & Hardware			
6	Cleat	Tapered Cleat, Glavanized Steel	Ω
7	Bolt	1/4"-20 x 7-1/2" Hex Bolt, SS	Σ
9	Hex Nut	1/4"-20 Hex Nut, SS, Self Locking	Σ
10	Cap Nut	1/4"-20 Cap Nut, SS,	Σ
Collar Assemblies			
11	Standard Collar	6" I.D. Standard Collar Assembly	Φ
12	Pear Clip Collar	6" I.D. Pear Clip Collar Assembly	π
13	Open Eyebolt Collar	6" I.D. Open Eyebolt Collar Assembly	λ
14	Shackle Collar	6" I.D. Shackle Collar Assembly	Ϡ
15	Tensioner Kit	Ball Stoper Tensioner Kit	Δ
Net & Hardware			
16	Net	#AAE N361, 1-3/4" sq. Mesh, Knotted Nylon	Ψ
17	Snap	1/4" Pear Clip Snap, Plated	↵
18	Cable Tie	15" Cable Tie, 120 LB., Black	¥
19	Vertical Cable	3/16" Steel Cable with Clear Jacket, 1/4" O.D.	λ
OPTIONAL ACCESSORIES			
40	Debris Collar	Debris Collar, 6" Diameter	Ω
*Qty of posts (will vary depending on length fo system)			
*Net Height = (specified system height - customer provided fence height)			
$\Omega = (\# \text{ ft. per system} / 20 \text{ ft.}) + 1$			
$\Sigma = [(\# \text{ ft. per system} / 20 \text{ ft.}) + 1] \times 2$			
$\Phi = (6 \text{ per system}) + 2 \text{ per corner post}$			
$\pi = \{[(\# \text{ ft. per system} / 20 \text{ ft.}) - 1] - (\# \text{ of corner posts})\}$			
$\Delta = (3 \text{ per system}) + 1 \text{ per corner post}$			
$\lambda = 1 \text{ per Corner \& End Post}$			
$\rho = 1 \text{ per Corner Post}$			
$\Psi = \# \text{ ft. net length}$			
$\Upsilon = (\# \text{ ft. net height}) \times 2$			
$\text{¥} = (\# \text{ ft. net length}) \times 2$			

Model No. BBS-20/WA

Parts List

PARTS LIST			
Part List #	Item	Description	Qty.
1	Post	20' BBS System Posts w/ Cap	Ω
2	Ground Sleeve	56" + (Wall Height) Length Ground Sleeve, w/ Stop Bolt	Ω
Hanging Rope & Pulley System (Pre-Assembled)			
3	Hoist	Pre-assembled Hoist Rope/Pulley System	Ω
4	Washer	1/2" Flat Washer, SS	Σ
5	Hex Nut	1/2"-13 Hex Nut, Self Locking	Ω
Cleat & Hardware			
6	Cleat	Tapered Cleat, Glavanized Steel	Ω
7	Bolt	1/4"-20 x 7-1/2" Hex Bolt, SS	Σ
9	Hex Nut	1/4"-20 Hex Nut, SS, Self Locking	Σ
10	Cap Nut	1/4"-20 Cap Nut, SS,	Σ
Collar Assemblies			
11	Standard Collar	6" I.D. Standard Collar Assembly	Φ
12	Pear Clip Collar	6" I.D. Pear Clip Collar Assembly	π
13	Open Eyebolt Collar	6" I.D. Open Eyebolt Collar Assembly	λ
14	Shackle Collar	6" I.D. Shackle Collar Assembly	Ϡ
15	Tensioner Kit	Ball Stoper Tensioner Kit	Δ
Net & Hardware			
16	Net	#AAE N361, 1-3/4" sq. Mesh, Knotted Nylon	Ψ
17	Snap	1/4" Pear Clip Snap, Plated	⚡
18	Cable Tie	15" Cable Tie, 120 LB., Black	¥
19	Vertical Cable	3/16" Steel Cable with Clear Jacket, 1/4" O.D.	λ
Attachment Cable & Hardware			
20	Hold-Down Cable	3/16" Steel Cable with Clear Jacket, 1/4" O.D.	v
21	Large Eyebolt	3/8"-16 x 3" Closed Eyebolt, SS	λ
22	Washer	3/8" x 1" O.D., Flat Washer, SS	λ
23	Large Anchor	3/8"-16 Double Expansion Anchor	λ
24	Small Eyebolt	1/4"-20 x 2" Closed Eyebolt, SS	χ
25	Washer	1/4" x 5/8" O.D., Flat Washer, SS	χ
26	Small Anchor	1/4"-20 Double Expansion Anchor	χ
15	Tensioner Kit	Ball Stoper Tensioner Kit	Δ
OPTIONAL ACCESSORIES			
40	Debris Collar	Debris Collar, 6" Diameter	Ω
<p><i>*Qty of posts (will vary depending on length fo system)</i></p> <p><i>*Net Height = (specified system height - customer provided wall height)</i></p> <p>$\Omega = (\# \text{ ft. per system} / 20 \text{ ft.}) + 1$</p> <p>$\Sigma = [(\# \text{ ft. per system} / 20 \text{ ft.}) + 1] \times 2$</p> <p>$\Phi = (6 \text{ per system}) + 2 \text{ per corner post}$</p> <p>$\pi = \{[(\# \text{ ft. per system} / 20 \text{ ft.}) - 1] - (\# \text{ of corner posts})\}$</p> <p>$\Delta = (4 \text{ per system}) + 1 \text{ per corner post}$</p> <p>$\lambda = 1 \text{ per Corner \& End Post}$</p> <p>$\rho = 1 \text{ per Corner Post}$</p> <p>$\psi = \# \text{ ft. net length}$</p> <p>$\zeta = (\# \text{ ft. system height} - \text{wall height}) \times 2$</p> <p>$\yen = (\# \text{ ft. net length}) \times 2$</p> <p>$\chi = (\# \text{ ft. net length}) / 4 \text{ ft.}$</p> <p>$v = (\# \text{ ft. net length}) + 1 \text{ ft.}$</p>			



Model No. BBS-20/SA

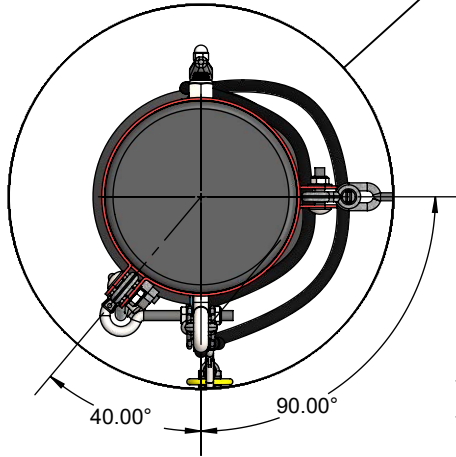
Parts List

PARTS LIST			
Part List #	Item	Description	Qty.
1	Post	20' BBS System Posts w/ Cap	Ω
2	Ground Sleeve	56" Length Ground Sleeve, w/ Stop Bolt	Ω
Hanging Rope & Pulley System (Pre-Assembled)			
3	Hoist	Pre-assembled Hoist Rope/Pulley System	Ω
4	Washer	1/2" Flat Washer, SS	Σ
5	Hex Nut	1/2"-13 Hex Nut, Self Locking	Ω
Cleat & Hardware			
6	Cleat	Tapered Cleat, Glvanized Steel	Ω
7	Bolt	1/4"-20 x 7-1/2" Hex Bolt, SS	Σ
9	Hex Nut	1/4"-20 Hex Nut, SS, Self Locking	Σ
10	Cap Nut	1/4"-20 Cap Nut, SS,	Σ
Collar Assemblies			
11	Standard Collar	6" I.D. Standard Collar Assembly	Φ
12	Pear Clip Collar	6" I.D. Pear Clip Collar Assembly	π
13	Open Eyebolt Collar	6" I.D. Open Eyebolt Collar Assembly	λ
14	Shackle Collar	6" I.D. Shackle Collar Assembly	Ϡ
15	Tensioner Kit	Ball Stoper Tensioner Kit	Δ
Net & Hardware			
16	Net	#AAE N361, 1-3/4" sq. Mesh, Knotted Nylon	ψ
17	Snap	1/4" Pear Clip Snap, Plated	ζ
18	Cable Tie	15" Cable Tie, 120 LB., Black	¥
19	Vertical Cable	3/16" Steel Cable with Clear Jacket, 1/4" O.D.	λ
Attachment Cable & Hardware			
20	Hold-Down Cable	3/16" Steel Cable with Clear Jacket, 1/4" O.D.	v
16	Tensioner Kit	Ball Stoper Tensioner Kit	Δ
OPTIONAL ACCESSORIES			
40	Debris Collar	Debris Collar, 6" Diameter	Ω
*Qty of posts (will vary depending on length fo system)			
*Net Height = (specified system height)			
Ω = (# ft. per system / 20 ft.) + 1			
Σ = [(# ft. per system / 20 ft.) + 1] x 2			
Φ = (8 per system) + 2 per corner post			
π = {[(# ft. per system / 20 ft.) - 1] - (# of corner posts)} x 2			
Δ = (4 per system) + 1 per corner post			
λ = 1 per Corner & End Post			
Ϡ = 2 per Corner Post			
ψ = # ft. net length			
ζ = (# ft. system height - wall height) x 2			
¥ = (# ft. net length) x 2			
v = (# ft. net length) + 1ft.			

BBS-20/SA

Assembly Instruction

Left End Post



Collar Orientation Detail

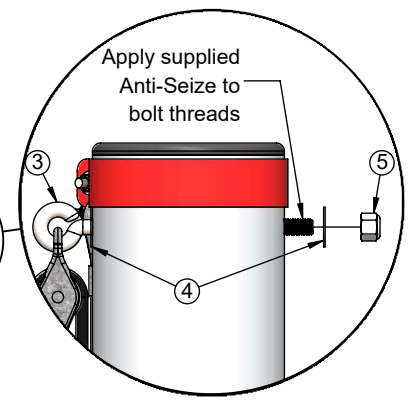
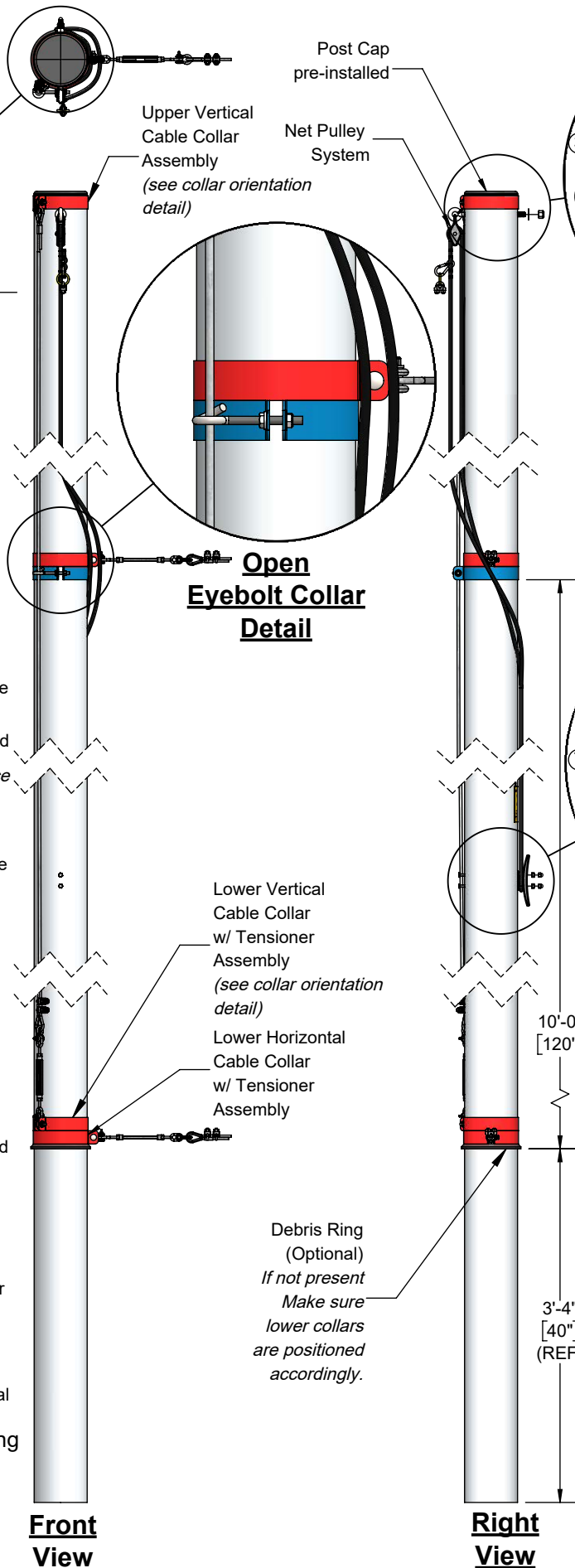
(Note: **ONLY** vertical cable collars should be turned away from netting)

Installation Notes:

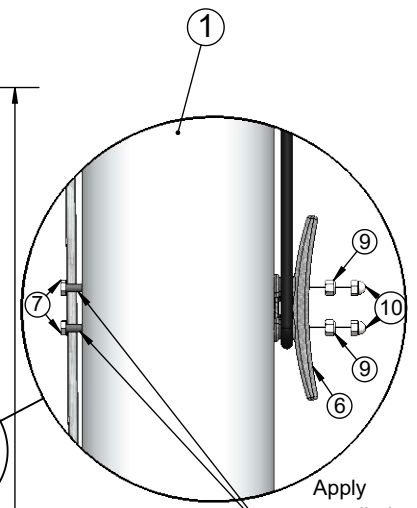
- Lower Collars:** From bottom of pole slide the lower vertical cable collar, lower horizontal collar and debris ring (optional) into position. To allow proper insertion into ground sleeve, lower most collar should be 40" from end of post. Before securing collars into place make sure to rotate the lower vertical collar approx 40°. (refer to diagram)
- Cleat:** Is to be installed so that it is on backside of post, opposite net. Screws will be inserted through cleat and post and secured on net side using flat washers, Nylock hex-nuts and cap nuts. (refer to diagram)
- Mid Collar Open Eyebolt:** Note orientation of collar on post. From top of pole slide the open eyebolt collar into position (refer to diagram) and secure into place.
- Mid Collar Tensioner:** Note orientation of collar on post. From top of pole slide the open eyebolt collar into position and , rotate approx 45° counterclockwise (refer to diagram) and secure into place.
- Eyebolt:** Pulley system comes preassembled to eyebolt. Install washer onto eyebolt then insert eyebolt with washer through front side of hole at top of post. From opposite side secure eyebolt into place using a flatwasher and self-locking hex-nut. (refer to diagram)
- Upper Collar:** From top of pole slide the upper vertical cable collar into position (collar should rest on eyebolt washers). Before securing into place make sure to rotate the collar clockwise, approx 40°. (refer to diagram)
- Make sure warning labels are present on goal posts.



Note: Collars are Black in color, shown in different colors to aid in identification.



Eyebolt Detail



Cleat Detail



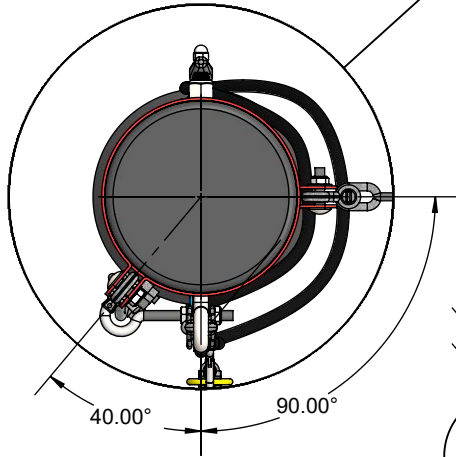
Anti-Seize (supplied by AAE)

Note: Post assembly should be done with post laying down on flat level surface.



Aluminum Athletic Equipment
1000 Enterprise Drive, Royersford, PA 19468
Toll Free: (800) 523-5471 Phone: (610) 825-6565
www.aaesports.com

BBS-20/FA & /WA Assembly Instruction Left End Post

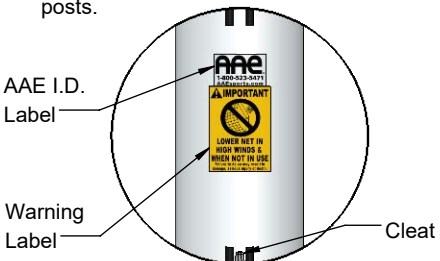


**Collar Orientation
Detail**

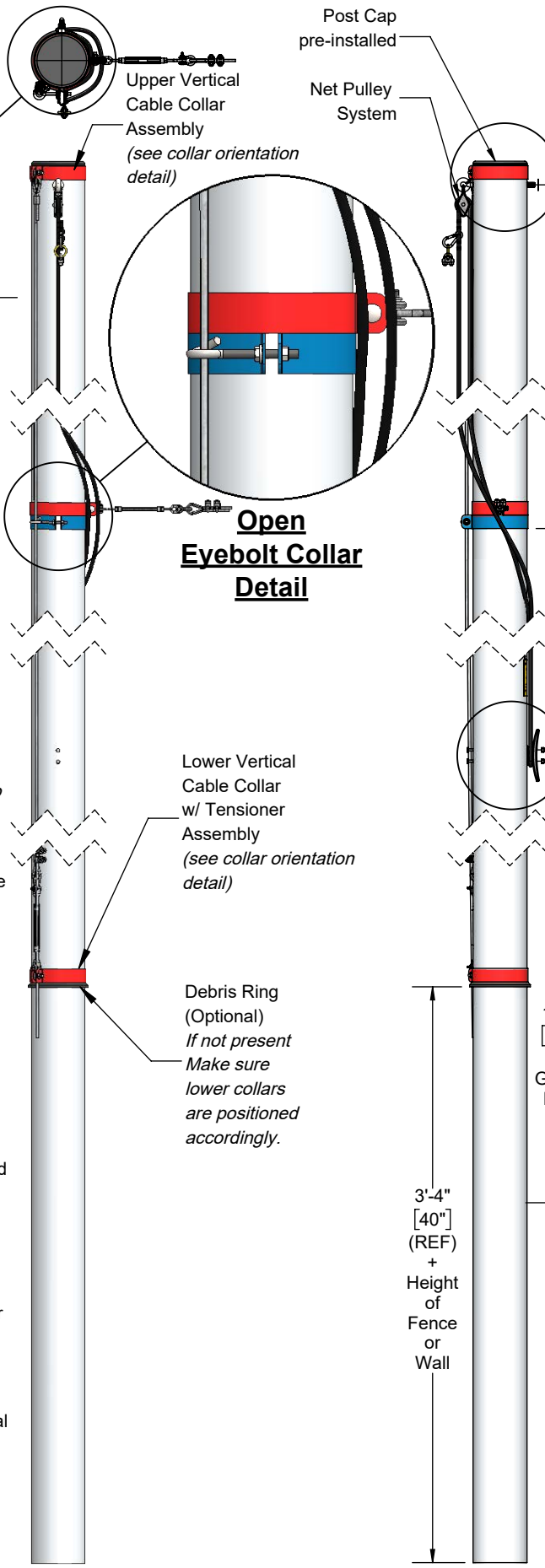
(Note: **ONLY** vertical cable collars should be turned away from netting)

Installation Notes:

- Lower Collar(s):** From bottom of pole slide the lower vertical cable collar, lower horizontal collar and debris ring (optional) into position. To allow proper insertion into ground sleeve, lower most collar should be 40" + Height of Wall/Fence from end of post. Before securing collars into place make sure to rotate the lower vertical collar approx 40°. (refer to diagram)
- Cleat:** Is to be installed so that it is on backside of post, opposite net. Screws will be inserted through cleat and post and secured on net side using flat washers, Nylock hex-nuts and cap nuts. (refer to diagram)
- Mid Collar Open Eyebolt:** Note orientation of collar on post. From top of pole slide the open eyebolt collar into position (refer to diagram) and secure into place.
- Mid Collar Tensioner:** Note orientation of collar on post. From top of pole slide the open eyebolt collar into position and, rotate approx 45° counterclockwise (refer to diagram) and secure into place.
- Eyebolt:** Pulley system comes preassembled to eyebolt. Install washer onto eyebolt then insert eyebolt with washer through front side of hole at top of post. From opposite side secure eyebolt into place using a flatwasher and self-locking hex-nut. (refer to diagram)
- Upper Collar:** From top of pole slide the upper vertical cable collar into position (collar should rest on eyebolt washers). Before securing into place make sure to rotate the collar clockwise, approx 40°. (refer to diagram)
- Make sure warning labels are present on goal posts.

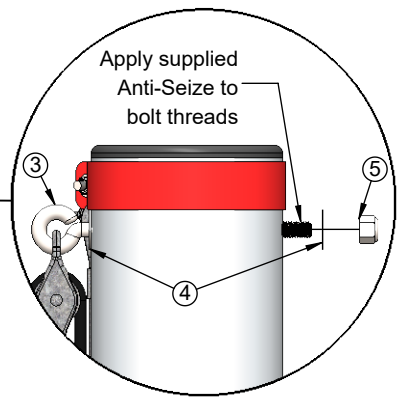


Note: Collars are Black in color, shown in different colors to aid in identification.



**Front
View**

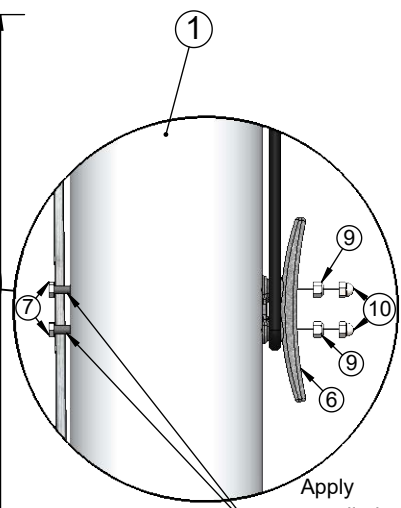
**Right
View**



**Eyebolt
Detail**



**Open
Eyebolt Collar
Detail**



**Cleat
Detail**



Anti-Seize
(supplied by AAE)

Note:
Post assembly should be done with post laying down on flat level surface.

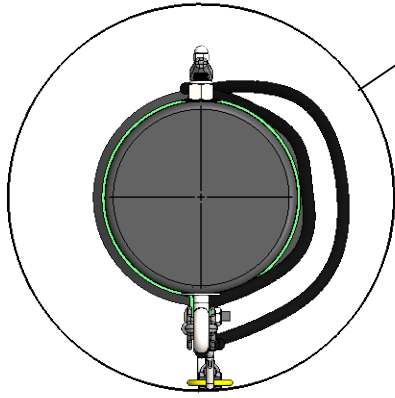


Aluminum Athletic Equipment
1000 Enterprise Drive, Royersford, PA 19468
Toll Free: (800) 523-5471 Phone: (610) 825-6565
www.aaesports.com

BBS-20/SA

Assembly Instruction

Inner Post

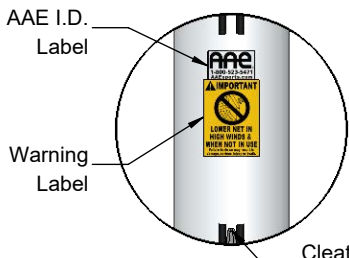


Collar Orientation Detail

(Note: **ONLY** vertical cable collars should be turned away from netting, this aids in tensioning the net)

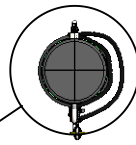
Installation Notes:

- Lower Collars:** From bottom of pole slide the lower horizontal collar and debris ring (optional) into position. To allow proper insertion into ground sleeve, lower most collar should be 40" from end of post. Before securing collars into place verify correct orientation. (refer to diagram)
- Cleat:** Is to be installed so that it is on backside of post, opposite net. Screws will be inserted through cleat and post and secured on net side using flat washers, self locking hex-nuts and cap nuts. (refer to diagram)
- Mid Collar with Pear Clip:** Note orientation of collar on post. From top of pole slide the open eyebolt collar into position (refer to diagram) and secure into place.
- Eyebolt:** Pulley system comes preassembled to eyebolt. Install washer onto eyebolt then insert eyebolt with washer through front side of hole at top of post. From opposite side secure eyebolt into place using a flatwasher and self-locking hex-nut. (refer to diagram)
- Upper Collar:** From top of pole slide the upper vertical cable collar into position (collar should rest on eyebolt washers). Before securing collars into place verify correct orientation. (refer to diagram)
- Make sure warning labels are present on goal posts.



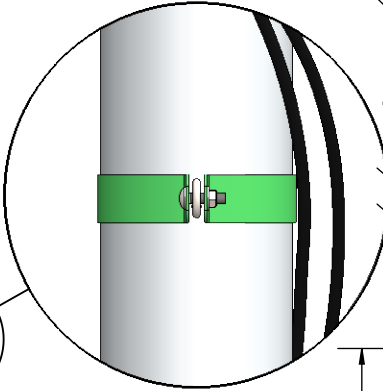
Cleat
(for positional ref)

Note: Collars are Black in color, shown in different colors to aid in identification.

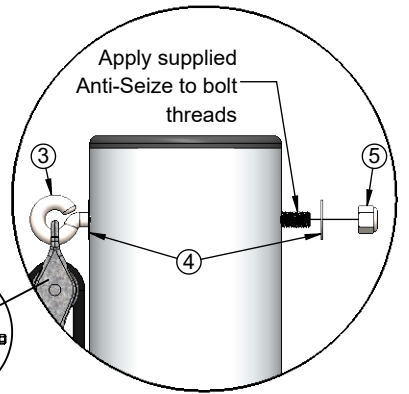


Post Cap
pre-installed

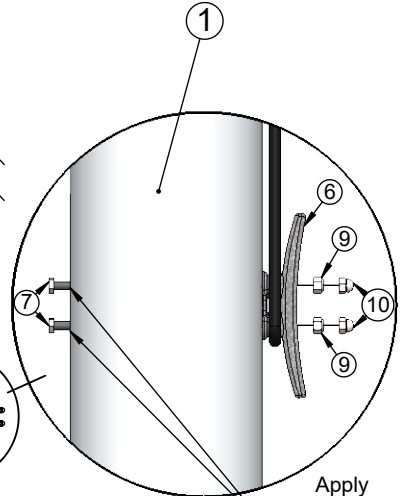
Net Pulley
System



Pear Clip Collar Detail



Eyebolt Detail



Cleat Detail

Apply supplied
Anti-Seize to bolt
threads

Lower Horizontal
Cable Collar
w/ Pear Clip

10'-0"
[120"]

Debris Ring
(Optional)
If not present
Make sure
lower collars
are positioned
accordingly.

3'-4"
[40"]
(REF)



Anti-Seize
(supplied by AAE)

Note:

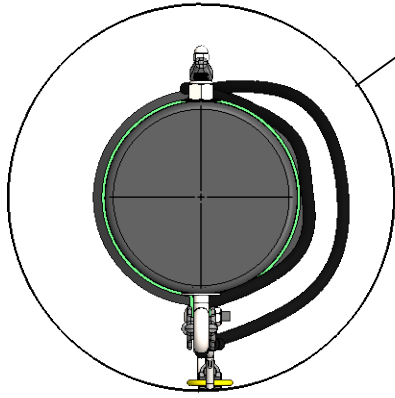
Post assembly should be done with post laying down on flat level surface.

Front View

Right View



BBS-20/FA & /WA Assembly Instruction Inner Post

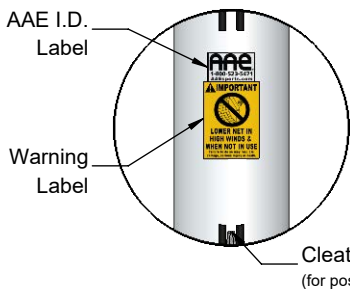


Collar Orientation Detail

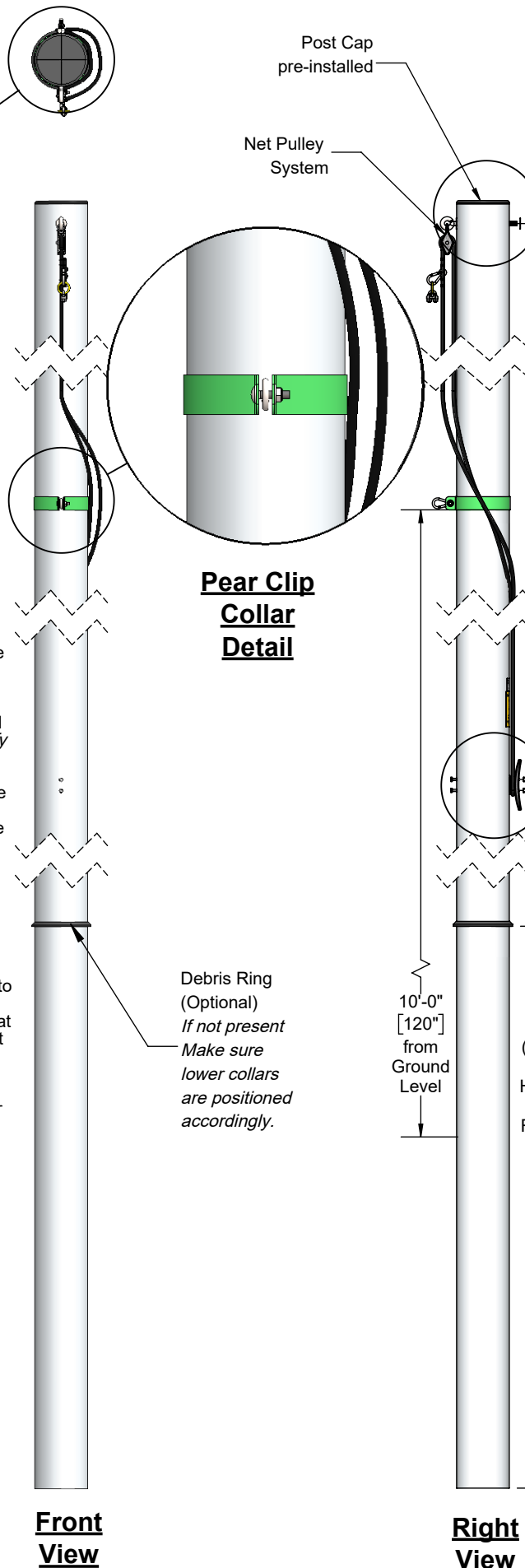
(Note: **ONLY** vertical cable collars should be turned away from netting, this aids in tensioning the net)

Installation Notes:

- Lower Collar(s):** From bottom of pole slide the lower horizontal collar and debris ring (optional) into position. To allow proper insertion into ground sleeve, lower most collar should be 40" + Height of Wall/Fence from end of post. Before securing collars into place verify correct orientation. (refer to diagram)
- Cleat:** Is to be installed so that it is on backside of post, opposite net. Screws will be inserted through cleat and post and secured on net side using flat washers, self locking hex-nuts and cap nuts. (refer to diagram)
- Mid Collar with Pear Clip:** Note orientation of collar on post. From top of pole slide the open eyebolt collar into position (refer to diagram) and secure into place.
- Eyebolt:** Pulley system comes preassembled to eyebolt. Install washer onto eyebolt then insert eyebolt with washer through front side of hole at top of post. From opposite side secure eyebolt into place using a flatwasher and self-locking hex-nut. (refer to diagram)
- Upper Collar:** From top of pole slide the upper vertical cable collar into position (collar should rest on eyebolt washers). Before securing collars into place verify correct orientation. (refer to diagram)
- Make sure warning labels are present on goal posts.

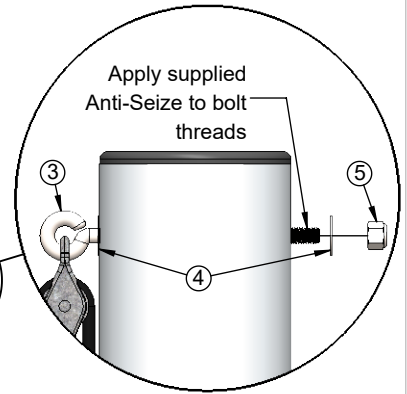


Note: Collars are Black in color, shown in different colors to aid in identification.

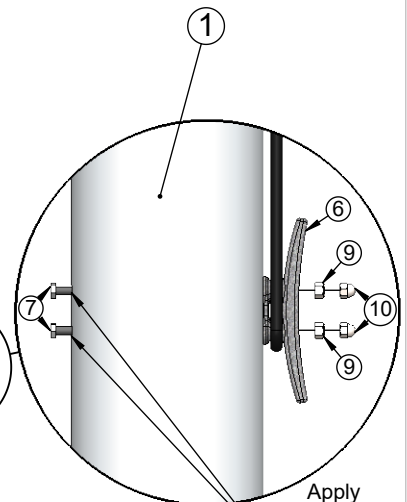


Front View

Right View



Eyebolt Detail



Cleat Detail



Anti-Seize
(supplied by AAE)

Note:
Post assembly should be done with post laying down on flat level surface.

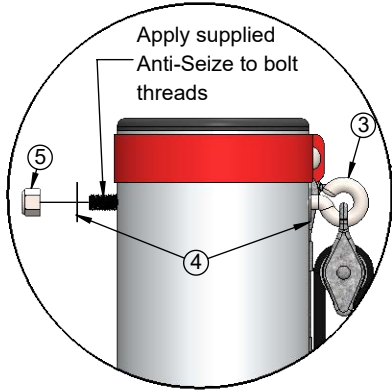


Aluminum Athletic Equipment
1000 Enterprise Drive, Royersford, PA 19468
Toll Free: (800) 523-5471 Phone: (610) 825-6565
www.aaesports.com

BBS-20/SA

Assembly Instruction

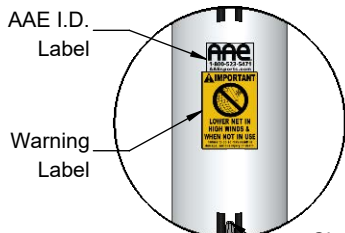
Left Corner Post



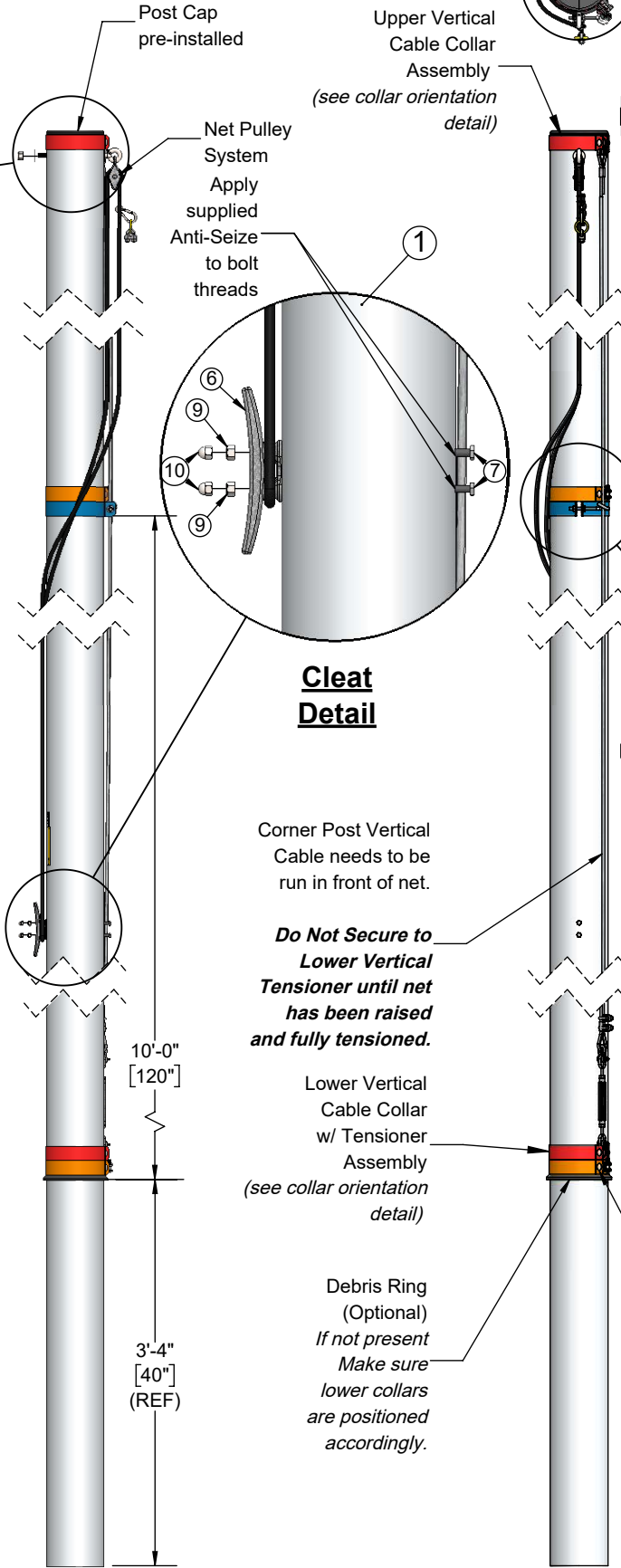
Eyebolt Detail

Installation Notes:

- Lower Collars:** From bottom of pole slide the lower horizontal collar and debris ring (optional) into position. To allow proper insertion into ground sleeve, lower most collar should be 40" from end of post. Before securing collars into place verify correct orientation. (refer to diagram)
- Cleat:** Is to be installed so that it is on backside of post, opposite net. Screws will be inserted through cleat and post and secured on net side using flat washers, self locking hex-nuts and cap nuts. (refer to diagram)
- Mid Collar Open Eyebolt:** Note orientation of collar on post. From top of pole slide the open eyebolt collar into position (refer to diagram) and secure into place.
- Mid Collar with Shackle:** Note orientation of collar on post. From top of pole slide the open eyebolt collar into position (refer to diagram) and secure into place.
- Eyebolt:** Pulley system comes preassembled to eyebolt. Install washer onto eyebolt then insert eyebolt with washer through front side of hole at top of post. From opposite side secure eyebolt into place using a flatwasher and self-locking hex-nut. (refer to diagram)
- Upper Collar:** From top of pole slide the upper vertical cable collar into position (collar should rest on eyebolt washers). Before securing collars into place verify correct orientation. (refer to diagram)
- Make sure warning labels are present on goal posts.

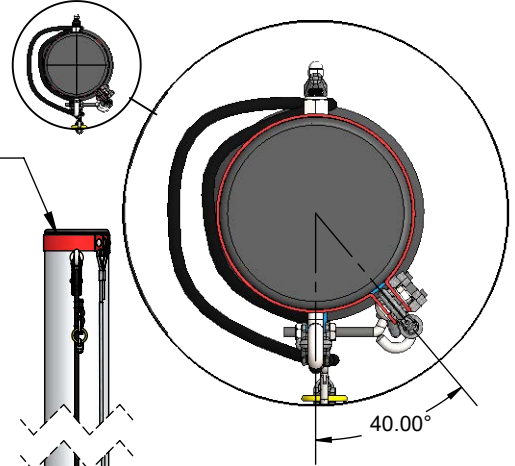


Note: Collars are Black in color, shown in different colors to aid in identification.



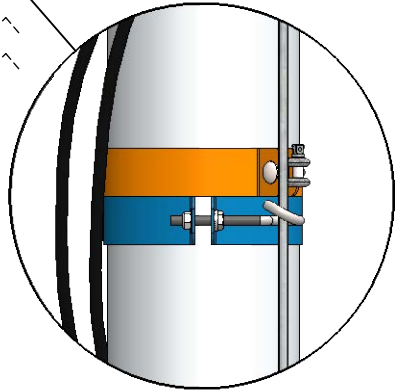
Left View

Front View



Collar Orientation Detail

(Note: **ONLY** vertical cable collars should be turned away from netting, this aids in tensioning the net)



Open Eyebolt Collar Detail

Corner Post Vertical Cable needs to be run in front of net.
Do Not Secure to Lower Vertical Tensioner until net has been raised and fully tensioned.



Anti-Seize (supplied by AAE)

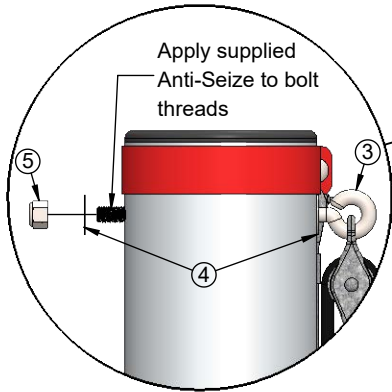
Lower Horizontal Cable Collar w/ Anchor Shackle

Note: Post assembly should be done with post laying down on flat level surface.



Aluminum Athletic Equipment
1000 Enterprise Drive, Royersford, PA 19468
Toll Free: (800) 523-5471 Phone: (610) 825-6565
www.aaesports.com

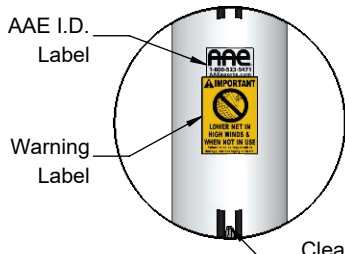
BBS-20/FA & /WA Assembly Instruction Left Corner Post



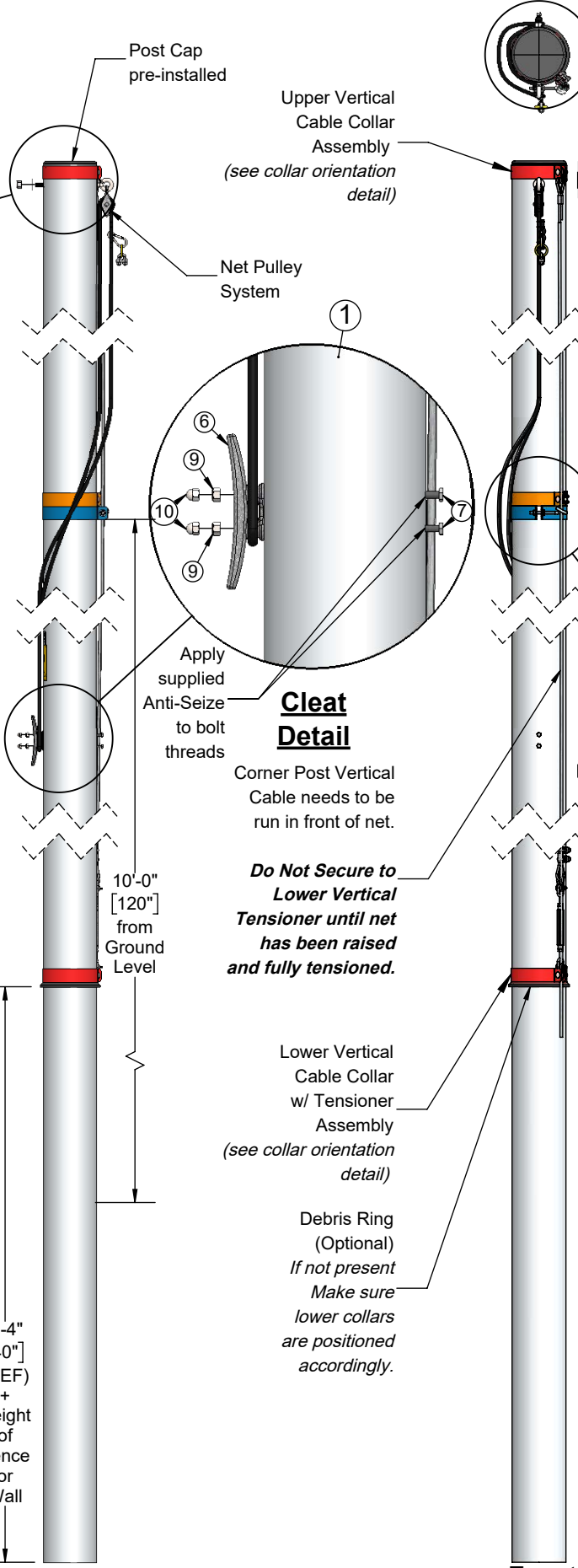
Eyebolt Detail

Installation Notes:

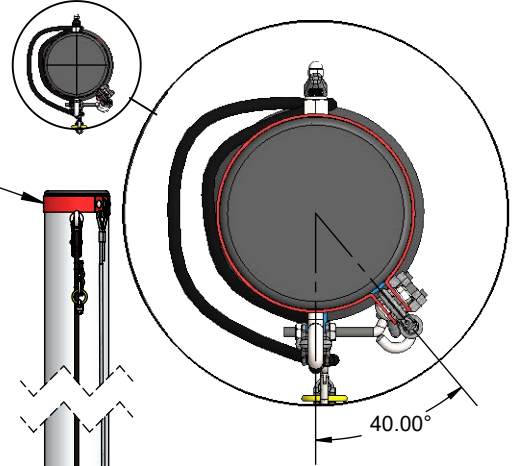
- Lower Collar(s):** From bottom of pole slide the lower horizontal collar and debris ring (optional) into position. To allow proper insertion into ground sleeve, lower most collar should be 40" + Height of Wall/Fence from end of post. Before securing collars into place verify correct orientation. (refer to diagram)
- Cleat:** Is to be installed so that it is on backside of post, opposite net. Screws will be inserted through cleat and post and secured on net side using flat washers, self locking hex-nuts and cap nuts. (refer to diagram)
- Mid Collar Open Eyebolt:** Note orientation of collar on post. From top of pole slide the open eyebolt collar into position (refer to diagram) and secure into place.
- Mid Collar with Shackle:** Note orientation of collar on post. From top of pole slide the open eyebolt collar into position (refer to diagram) and secure into place.
- Eyebolt:** Pulley system comes preassembled to eyebolt. Install washer onto eyebolt then insert eyebolt with washer through front side of hole at top of post. From opposite side secure eyebolt into place using a flatwasher and self-locking hex-nut. (refer to diagram)
- Upper Collar:** From top of pole slide the upper vertical cable collar into position (collar should rest on eyebolt washers). Before securing collars into place verify correct orientation. (refer to diagram)
- Make sure warning labels are present on goal posts.



Note: Collars are Black in color, shown in different colors to aid in identification.

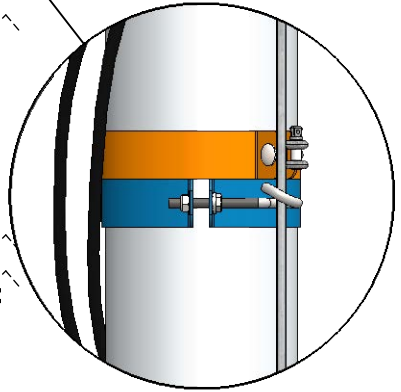


Left View



Collar Orientation Detail

(Note: **ONLY** vertical cable collars should be turned away from netting, this aids in tensioning the net)



Open Eyebolt Collar Detail



Anti-Seize (supplied by AAE)

Do Not Secure to Lower Vertical Tensioner until net has been raised and fully tensioned.

Make sure lower collars are positioned accordingly.

Front View

Note: Post assembly should be done with post laying down on flat level surface.

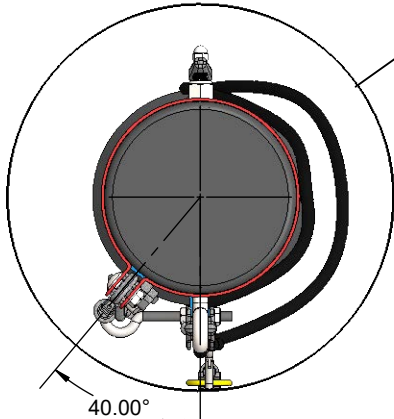


Aluminum Athletic Equipment
1000 Enterprise Drive, Royersford, PA 19468
Toll Free: (800) 523-5471 Phone: (610) 825-6565
www.aesports.com

BBS-20/SA

Assembly Instruction

Right Corner Post

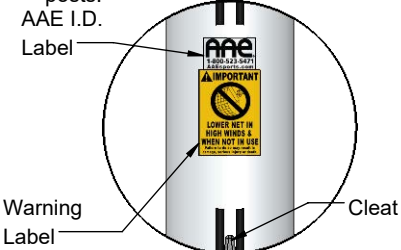


Collar Orientation Detail

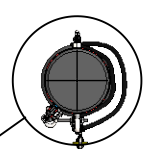
(Note: **ONLY** vertical cable collars should be turned away from netting, this aids in tensioning the net)

Installation Notes:

- Lower Collars:** From bottom of pole slide the lower horizontal collar and debris ring (optional) into position. To allow proper insertion into ground sleeve, lower most collar should be 40" from end of post. Before securing collars into place verify correct orientation. (refer to diagram)
- Cleat:** Is to be installed so that it is on backside of post, opposite net. Screws will be inserted through cleat and post and secured on net side using flat washers, self locking hex-nuts and cap nuts. (refer to diagram)
- Mid Collar Open Eyebolt:** Note orientation of collar on post. From top of pole slide the open eyebolt collar into position (refer to diagram) and secure into place.
- Mid Collar with Shackle:** Note orientation of collar on post. From top of pole slide the open eyebolt collar into position (refer to diagram) and secure into place.
- Eyebolt:** Pulley system comes preassembled to eyebolt. Install washer onto eyebolt then insert eyebolt with washer through front side of hole at top of post. From opposite side secure eyebolt into place using a flatwasher and self-locking hex-nut. (refer to diagram)
- Upper Collar:** From top of pole slide the upper vertical cable collar into position (collar should rest on eyebolt washers). Before securing collars into place verify correct orientation. (refer to diagram)
- Make sure warning labels are present on goal posts.

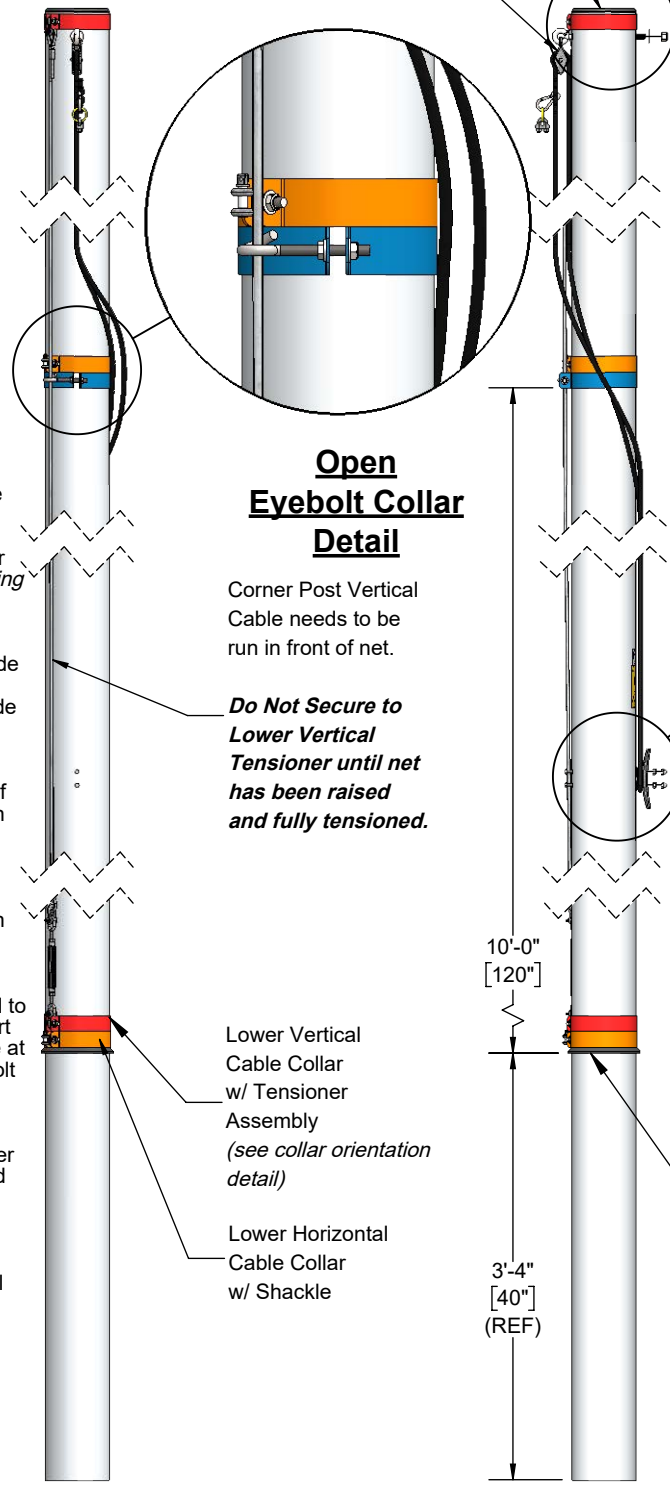


Warning Label Cleat



Post Cap pre-installed

Net Pulley System



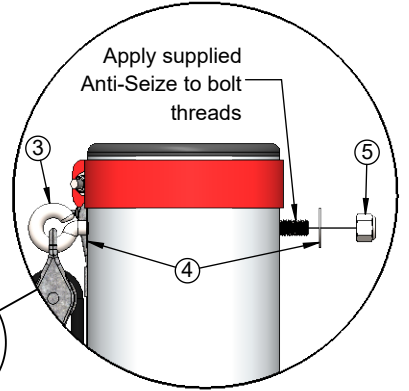
Open Eyebolt Collar Detail

Corner Post Vertical Cable needs to be run in front of net.

Do Not Secure to Lower Vertical Tensioner until net has been raised and fully tensioned.

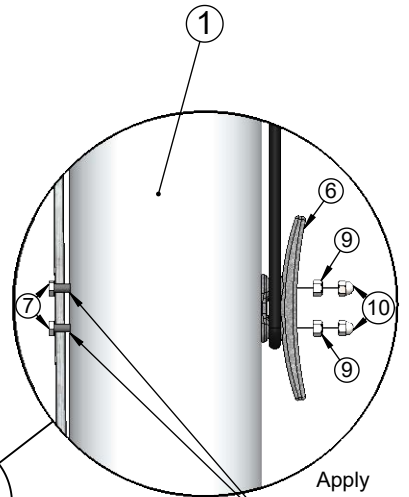
Lower Vertical Cable Collar w/ Tensioner Assembly (see collar orientation detail)

Lower Horizontal Cable Collar w/ Shackle



Eyebolt Detail

Apply supplied Anti-Seize to bolt threads



Cleat Detail

Apply supplied Anti-Seize to bolt threads



Anti-Seize (supplied by AAE)

Debris Ring (Optional) If not present Make sure lower collars are positioned accordingly.

Note: Post assembly should be done with post laying down on flat level surface.

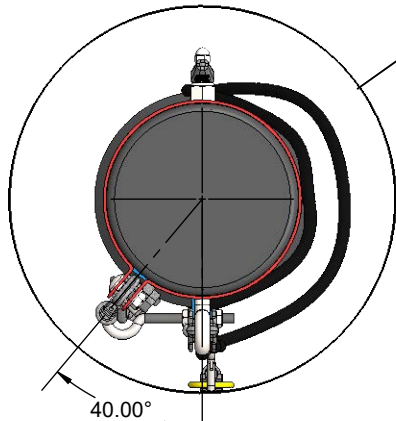
Front View

Right View

Note: Collars are Black in color, shown in different colors to aid in identification.



BBS-20/FA & /WA Assembly Instruction Right Corner Post



**Collar Orientation
Detail**

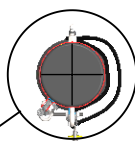
(Note: **ONLY** vertical cable collars should be turned away from netting, this aids in tensioning the net)

Installation Notes:

- Lower Collar(s):** From bottom of pole slide the lower horizontal collar and and debris ring (optional) into position. To allow proper insertion into ground sleeve, lower most collar should be 40" + Height of Wall/Fence from end of post. *Before securing collars into place verify correct orientation. (refer to diagram)*
- Cleat:** Is to be installed so that it is on backside of post, opposite net. Screws will be inserted through cleat and post and secured on net side using flat washers, self locking hex-nuts and cap nuts. (refer to diagram)
- Mid Collar Open Eyebolt:** Note orientation of collar on post. From top of pole slide the open eyebolt collar into position (refer to diagram) and secure into place.
- Mid Collar with Shackle:** Note orientation of collar on post. From top of pole slide the open eyebolt collar into position (refer to diagram) and secure into place.
- Eyebolt:** Pulley system comes preassembled to eyebolt. Install washer onto eyebolt then insert eyebolt with washer through front side of hole at top of post. From opposite side secure eyebolt into place using a flatwasher and self-locking hex-nut. (refer to diagram)
- Upper Collar:** From top of pole slide the upper vertical cable collar into position (collar should rest on eyebolt washers). *Before securing collars into place verify correct orientation. (refer to diagram)*
- Make sure warning labels are present on goal posts.

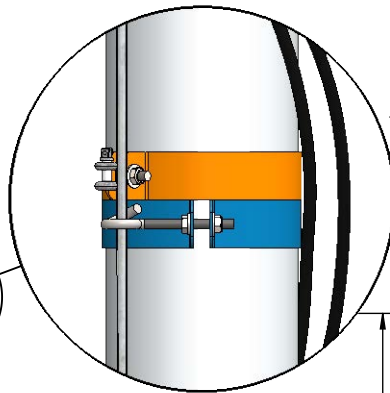


Note: Collars are Black in color, shown in different colors to aid in identification.



Post Cap pre-installed

Net Pulley System



Open Eyebolt Collar Detail

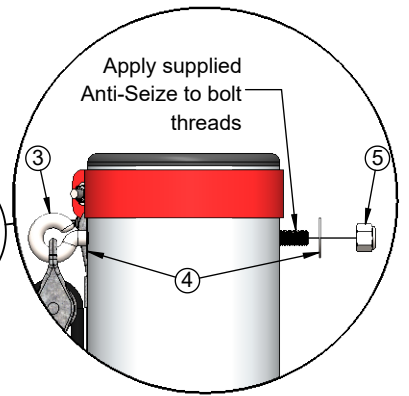
Corner Post Vertical Cable needs to be run in front of net.

Do Not Secure to Lower Vertical Tensioner until net has been raised and fully tensioned.

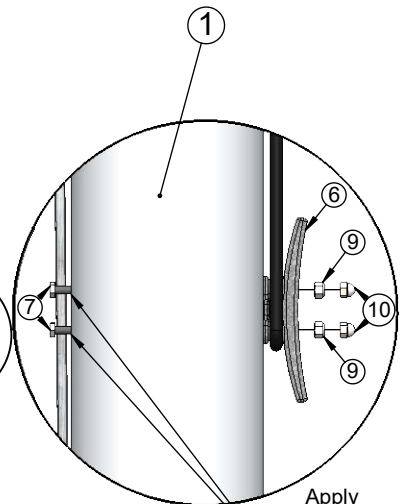
Lower Vertical Cable Collar w/ Tensioner Assembly (see collar orientation detail)

3'-4" [40"] (RF) + Height of Fence or Wall

Front View



Eyebolt Detail



Cleat Detail

Apply supplied Anti-Seize to bolt threads



Anti-Seize (supplied by AAE)

Debris Ring (Optional) *If not present Make sure lower collars are positioned accordingly.*

Note:

Post assembly should be done with post laying down on flat level surface.

10'-0" [120"] from Ground Level

Right View

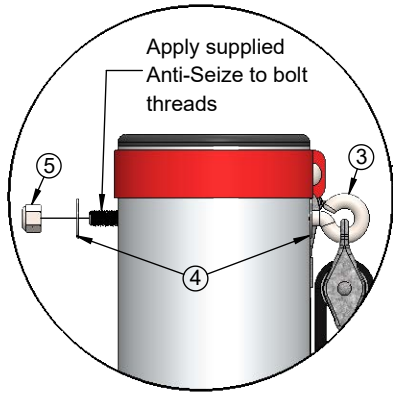


Aluminum Athletic Equipment
1000 Enterprise Drive, Royersford, PA 19468
Toll Free: (800) 523-5471 Phone: (610) 825-6565
www.aesports.com

BBS-20/SA

Assembly Instruction

Right End Post



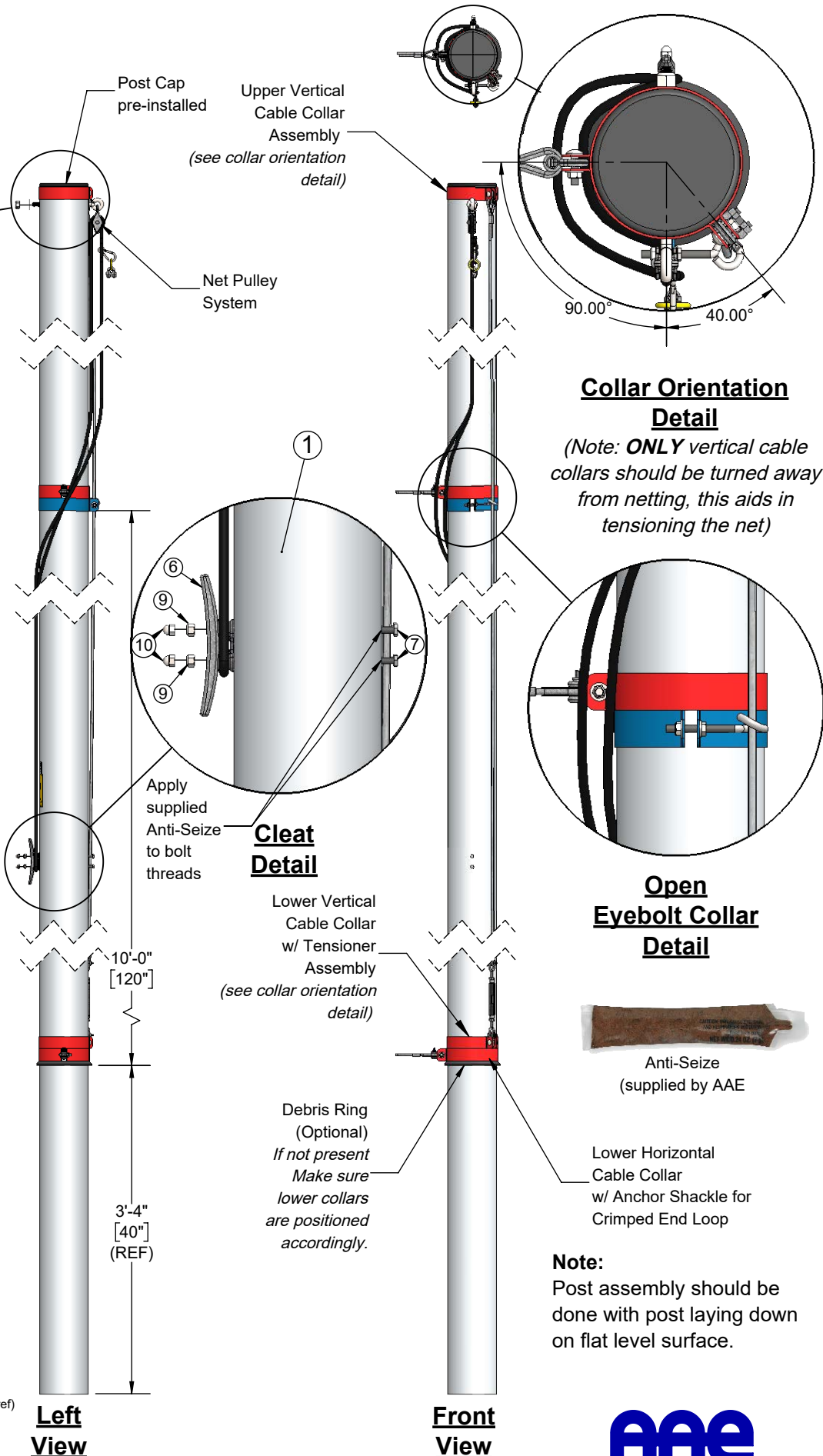
Eyebolt Detail

Installation Notes:

- Lower Collars:** From bottom of pole slide the lower vertical cable collar, lower horizontal collar and debris ring (*optional*) into position. To allow proper insertion into ground sleeve, lower most collar should be 40" from end of post. *Before securing collars into place make sure to rotate the lower vertical collar approx 40°. (refer to diagram)*
- Cleat:** Is to be installed so that it is on backside of post, opposite net. Screws will be inserted through cleat and post and secured on net side using flat washers, self locking hex-nuts and cap nuts. (*refer to diagram*)
- Mid Collar Open Eyebolt:** Note orientation of collar on post. From top of pole slide the open eyebolt collar into position (*refer to diagram*) and secure into place.
- Mid Collar with Shackle:** Note orientation of collar on post. From top of pole slide the open eyebolt collar into position and, rotate approx 45° clockwise (*refer to diagram*) and secure into place.
- Eyebolt:** Pulley system comes preassembled to eyebolt. Install washer onto eyebolt then insert eyebolt with washer through front side of hole at top of post. From opposite side secure eyebolt into place using a flatwasher and Nylock hex-nut. (*refer to diagram*)
- Upper Collar:** From top of pole slide the upper vertical cable collar into position (collar should rest on eyebolt washers). Before securing into place make sure to rotate the collar approx 40°. (*refer to diagram*)
- Make sure warning labels are present on goal posts.



Note: Collars are Black in color, shown in different colors to aid in identification.



Collar Orientation Detail

(Note: **ONLY** vertical cable collars should be turned away from netting, this aids in tensioning the net)

Open Eyebolt Collar Detail



Anti-Seize (supplied by AAE)

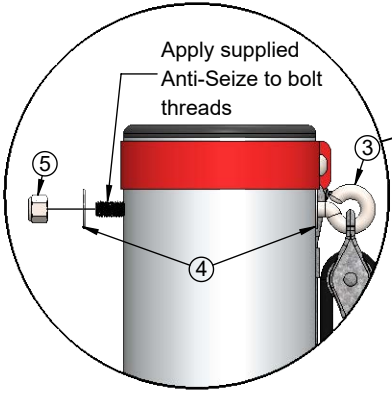
Lower Horizontal Cable Collar w/ Anchor Shackle for Crimped End Loop

Note: Post assembly should be done with post laying down on flat level surface.



Aluminum Athletic Equipment
1000 Enterprise Drive, Royersford, PA 19468
Toll Free: (800) 523-5471 Phone: (610) 825-6565
www.aaesports.com

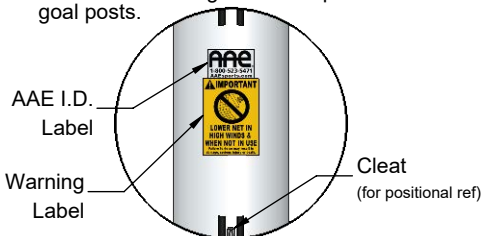
BBS-20/FA & /WA Assembly Instruction Right End Post



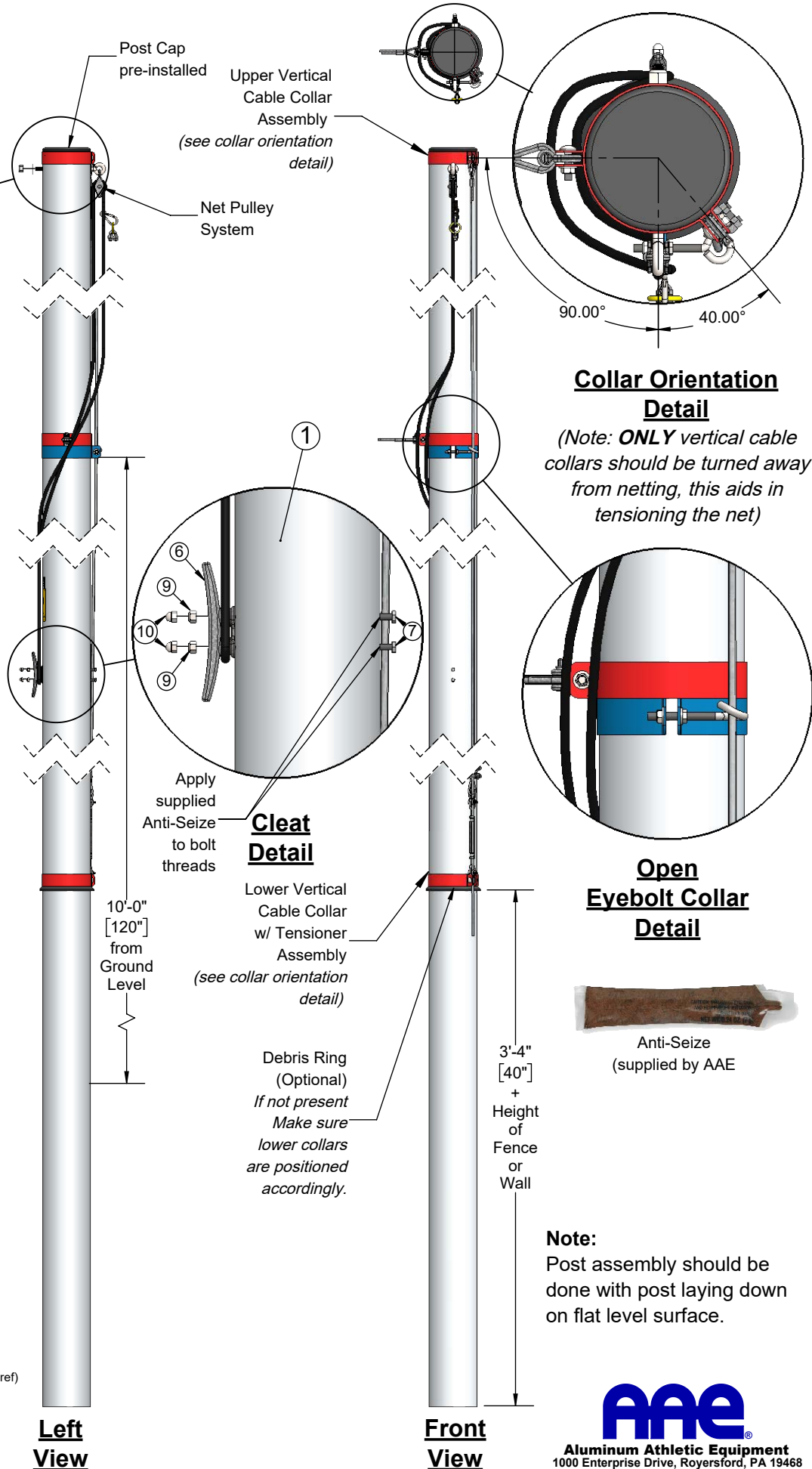
Eyebolt Detail

Installation Notes:

- Lower Collar(s):** From bottom of pole slide the lower vertical cable collar, lower horizontal collar and and debris ring (*optional*) into position. To allow proper insertion into ground sleeve, lower most collar should be 40" + Height of Wall/Fence from end of post. *Before securing collars into place make sure to rotate the lower vertical collar approx 40° (refer to diagram)*
- Cleat:** Is to be installed so that it is on backside of post, opposite net. Screws will be inserted through cleat and post and secured on net side using flat washers, self locking hex-nuts and cap nuts. (*refer to diagram*)
- Mid Collar Open Eyebolt:** Note orientation of collar on post. From top of pole slide the open eyebolt collar into position (*refer to diagram*) and secure into place.
- Mid Collar with Shackle:** Note orientation of collar on post. From top of pole slide the open eyebolt collar into position and , rotate approx 45° clockwise (*refer to diagram*) and secure into place.
- Eyebolt:** Pulley system comes preassembled to eyebolt. Install washer onto eyebolt then insert eyebolt with washer through front side of hole at top of post. From opposite side secure eyebolt into place using a flatwasher and Nylock hex-nut. (*refer to diagram*)
- Upper Collar:** From top of pole slide the upper vertical cable collar into position (collar should rest on eyebolt washers). Before securing into place make sure to rotate the collar approx 40°. (*refer to diagram*)
- Make sure warning labels are present on goal posts.



Note: Collars are Black in color, shown in different colors to aid in identification.



Collar Orientation Detail

(Note: **ONLY** vertical cable collars should be turned away from netting, this aids in tensioning the net)

Open Eyebolt Collar Detail



Anti-Seize (supplied by AAE)

Note: Post assembly should be done with post laying down on flat level surface.

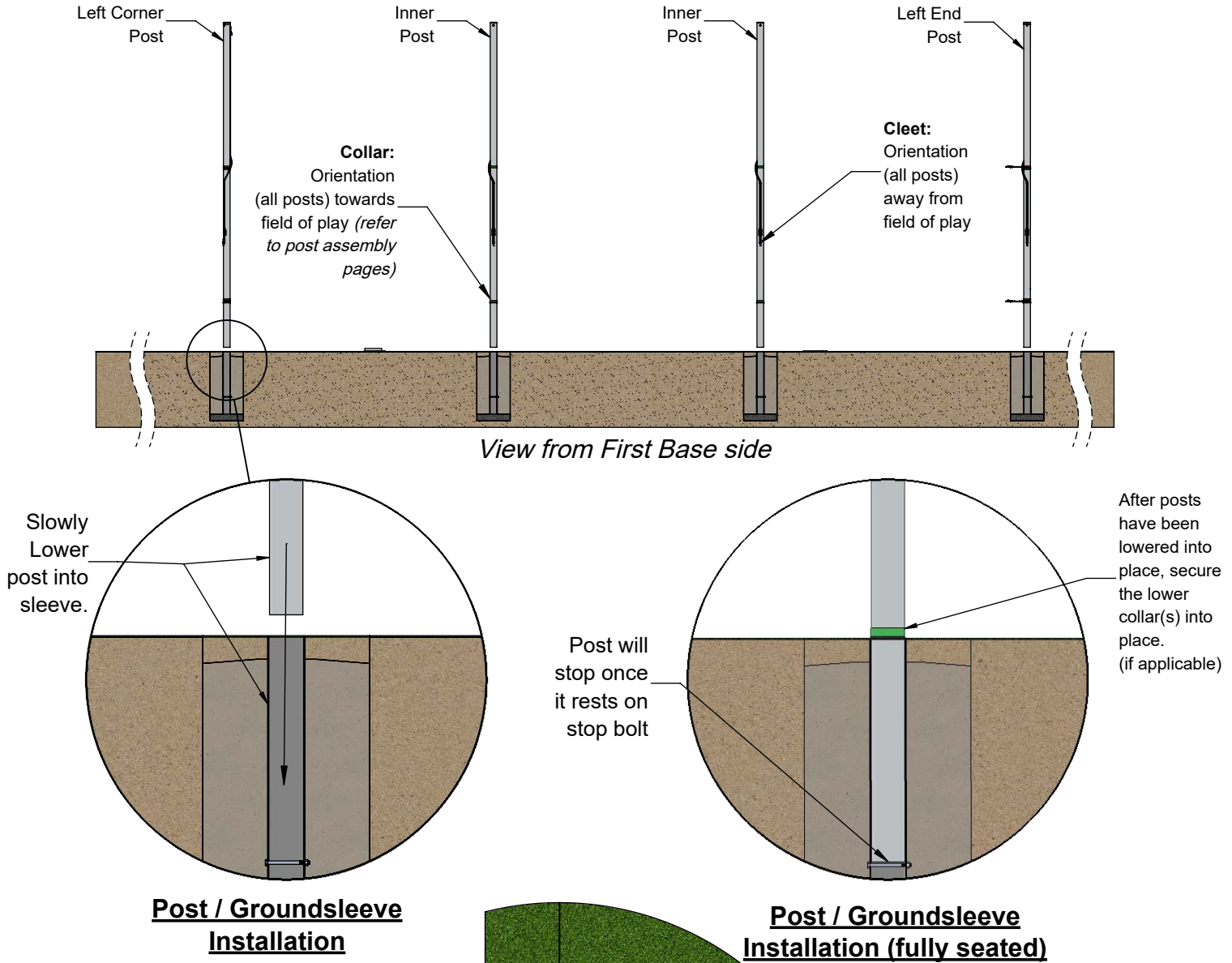


Aluminum Athletic Equipment
1000 Enterprise Drive, Royersford, PA 19468
Toll Free: (800) 523-5471 Phone: (610) 825-6565
www.aesports.com

BBS-20/SA , /FA & /WA Assembly Instruction Posts to Groundsleeve

Note: Collars are Black in color, shown in different colors to aid in identification.

Note: number of inner posts may vary from what is shown.

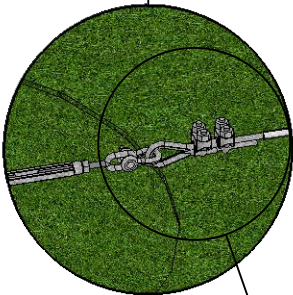
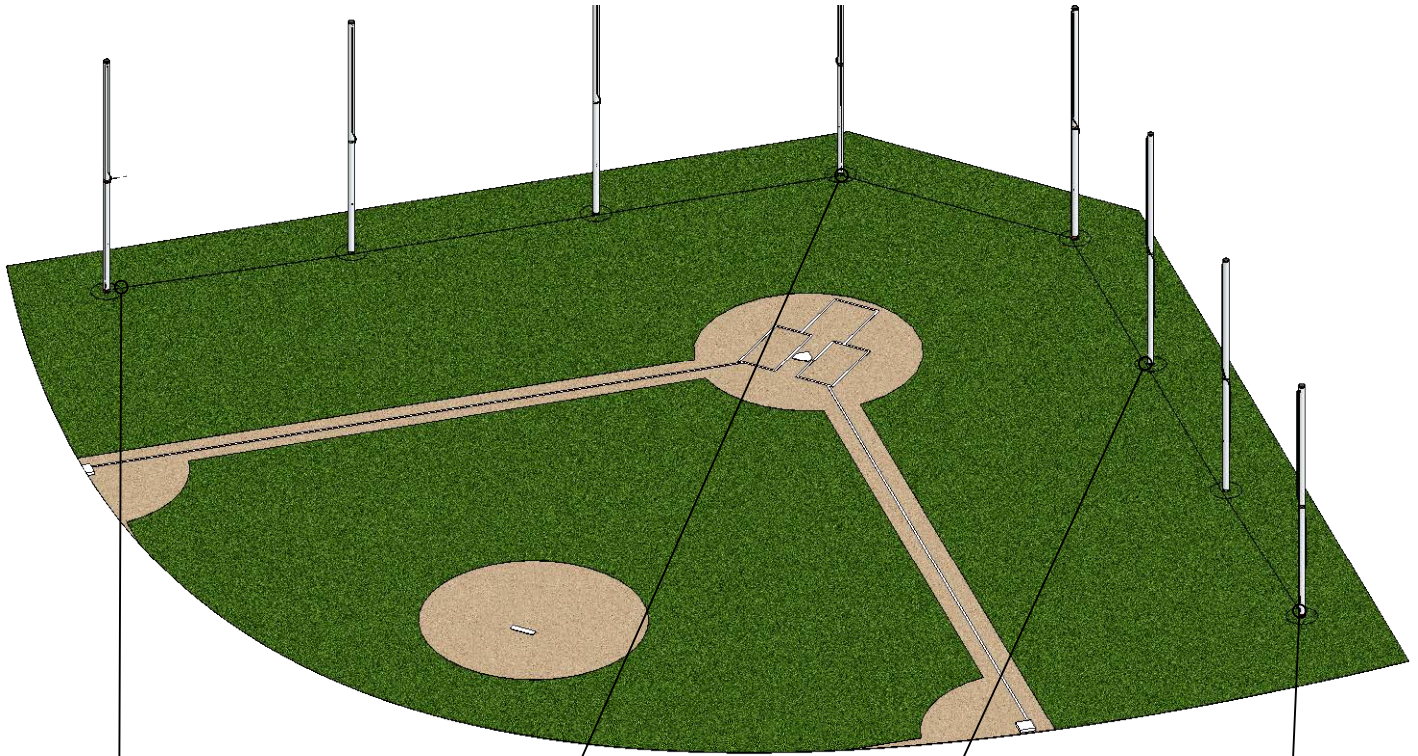


Installation Notes:

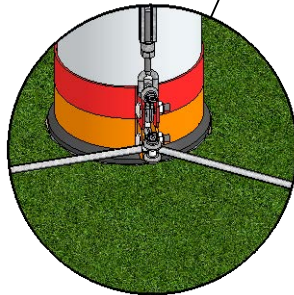
1. View above is from net side of post (*field of play*).
2. **Caution**, slowly lower posts into sleeves. Dropping post into sleeve may result in damage to the stop bolt.
3. Make sure all posts are orientated correctly. Pulley system towards field of play and cleet away from field of play. All lower horizontal cable collars should face field of play.
4. Once posts are correctly orientated, make sure the lower collars are properly orientated and secure them into place.

BBS-20/SA **Assembly Instruction** **Lower Horizontal** **Support Cable**

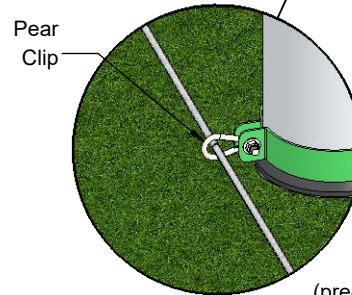
Note: Collars are Black in color, shown in different colors to aid in identification.



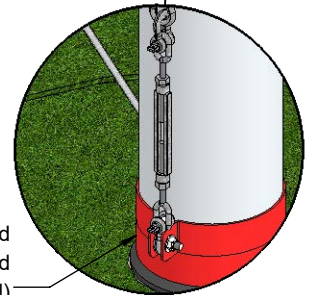
Left End Post Assembly



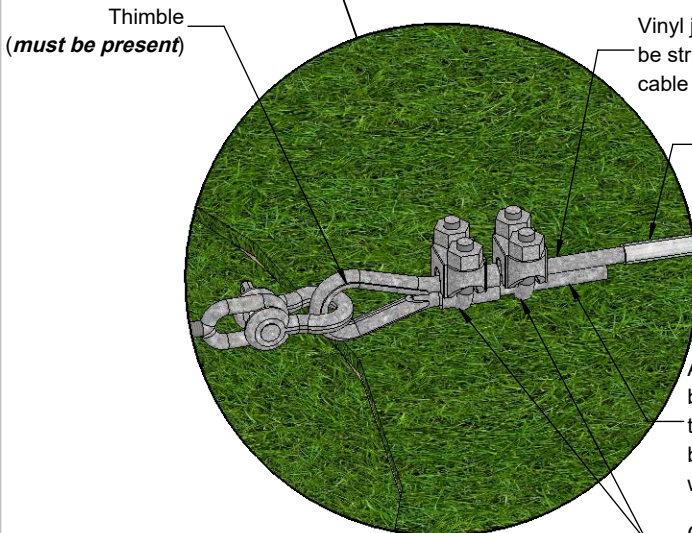
Corner Post Assembly



Inner Post Assembly



Right End Post Assembly



Clamped Loop End Detail

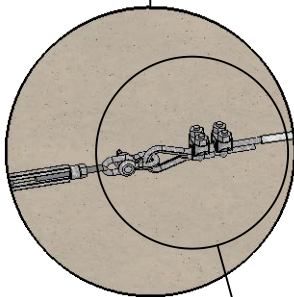
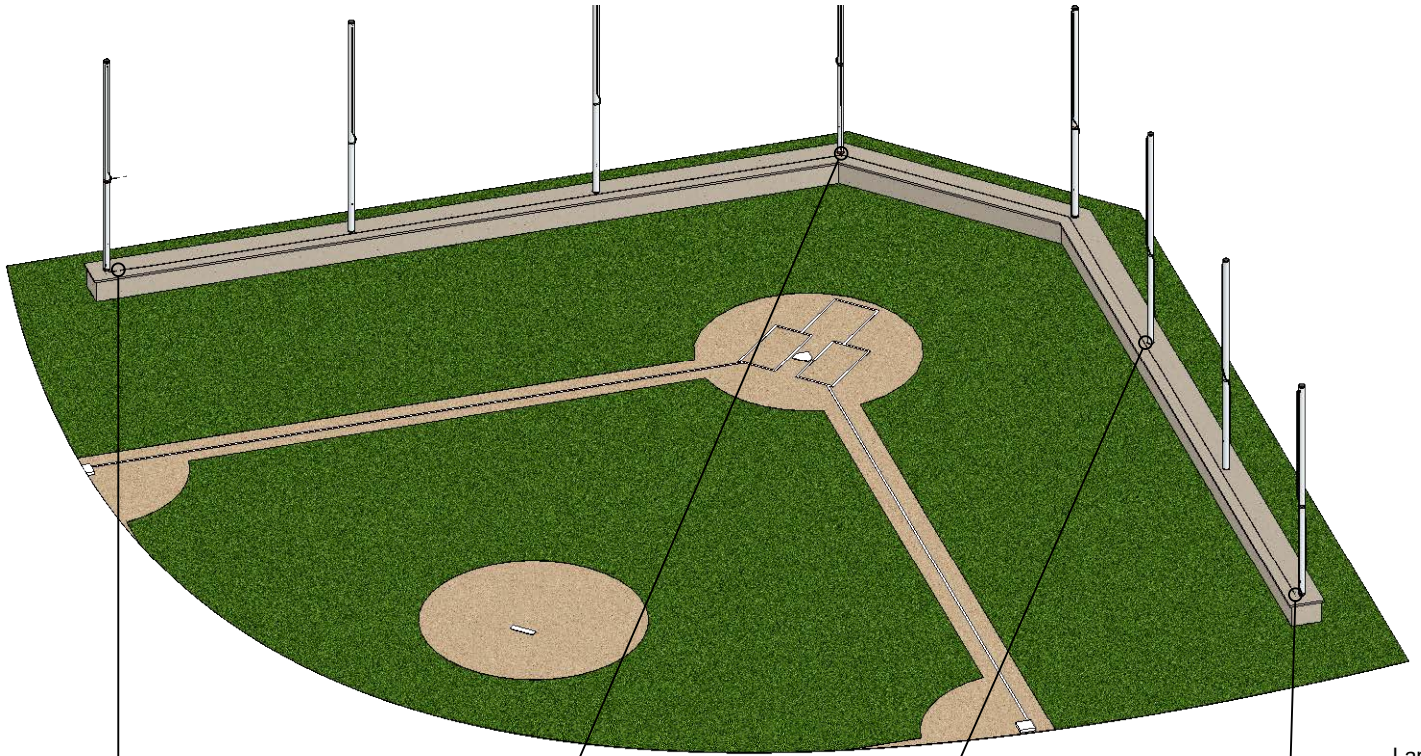
Installation Notes:

1. Refer to collar assembly diagram for further detail on collar and cable assembly.
2. Install Crimped Cable End to Right End Post collar using an anchor shackle.
3. Route cable to Left End Post. Snap cable into Pear Clips of the Inner Posts along the way and route inside of shackle on Corner Posts.
4. Before assembling Clamped Cable Loop End, fully open the turnbuckle.
5. With anchor shackle and thimble in place run cable thru the shackle as shown. Pull slack out of cable and mark vinyl sleeve approximately 4" from thimble end. Strip vinyl from mark location towards cable loop end.
6. With the slack still being pulled out of cable install and secure the cable clamps. The first clamp should butt up to the thimble, the second should be spaced approx. 1" on center from the first. Cable clamps must be gripping bare cable to ensure proper seating/grip.

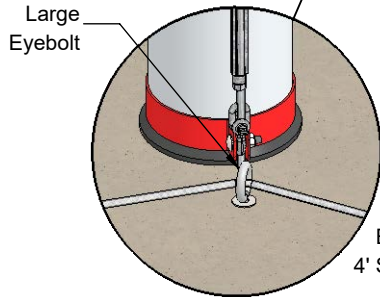
After cable has been fully tensioned trim back cut end and wrap with tape
Cable Clamp Loop must be on cut end of cable

BBS-20/WA **Assembly Instruction** **Lower Horizontal** **Support Cable**

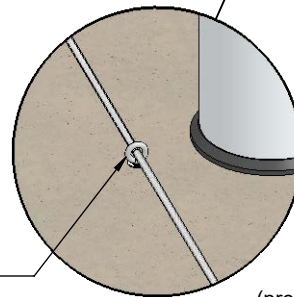
Note: Collars are Black in color, shown in different colors to aid in identification.



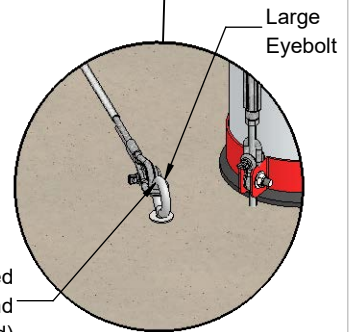
Left End Post Assembly



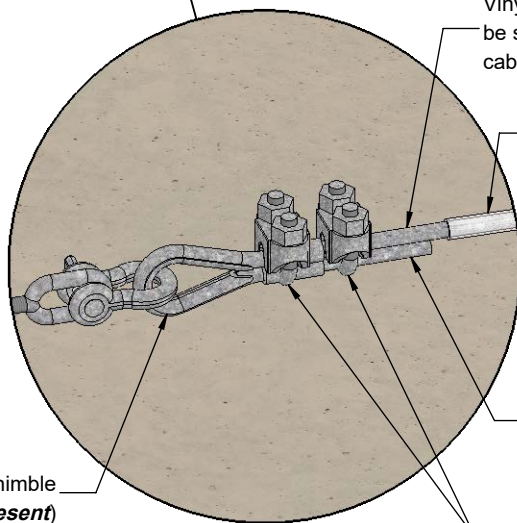
Corner Post Assembly



Inner Post Assembly



Right End Post Assembly



Clamped Loop End Detail

Thimble
(must be present)

Vinyl jacket must be stripped from cable loop end

Support Cable vinyl jacket

After cable has been fully tensioned trim back cut end and wrap with tape

Cable Clamp Loop must be on cut end of cable

Installation Notes:

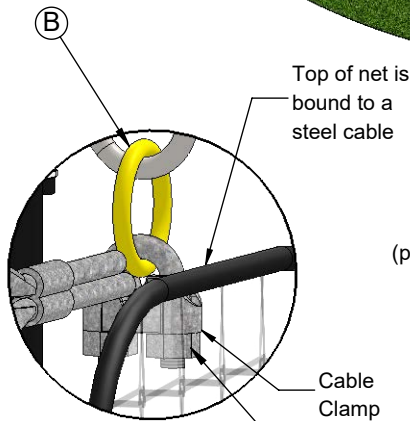
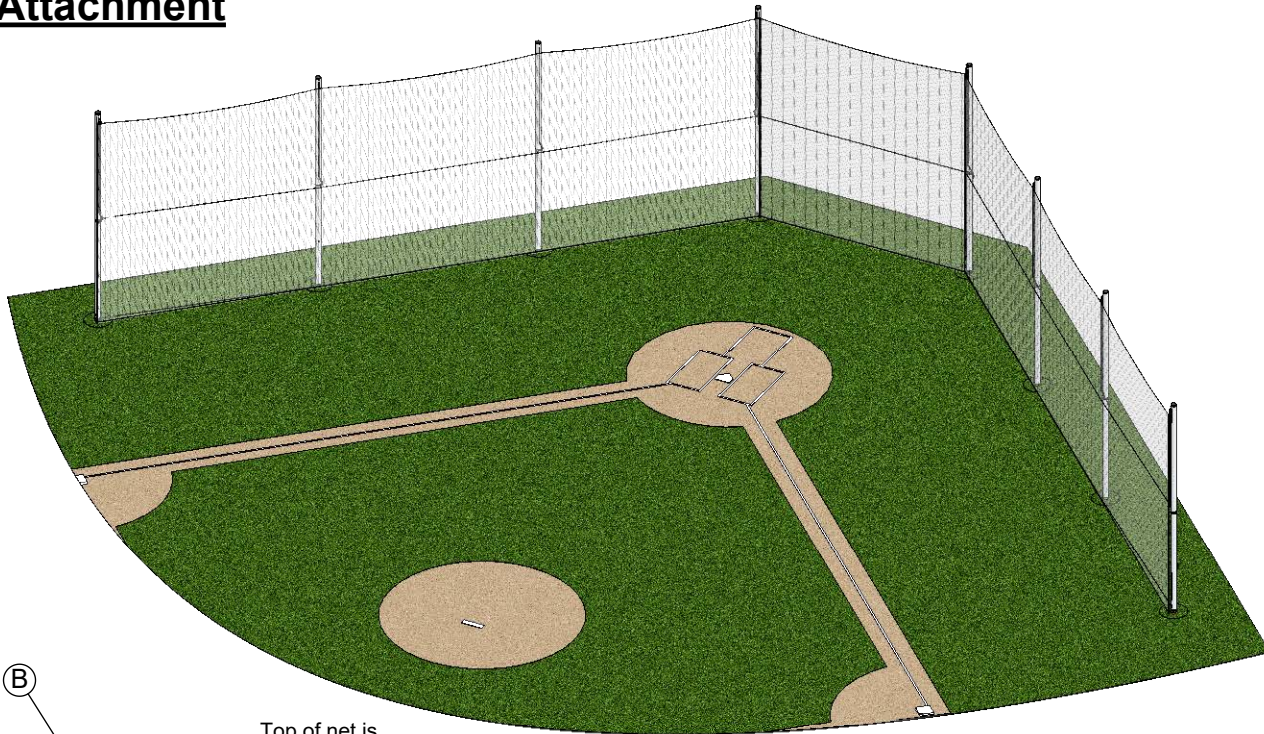
1. Refer to collar assembly diagram for further detail on collar and cable assembly.
2. Install Crimped Cable End to Right End Post Large Eyebolt using an anchor shackle.
3. Route cable to Left End Post. Make sure to route cable thru Small & Large Eyebolts installed to top of wall.
4. Before assembling Clamped Cable Loop End, fully open the turnbuckle.
5. With anchor shackle and thimble in place run cable thru the shackle as shown. Pull slack out of cable and mark vinyl sleeve approximately 4" from thimble end. Strip vinyl from mark location towards cable loop end.
6. With the slack still being pulled out of cable install and secure the cable clamps. The first clamp should butt up to the thimble, the second should be spaced approx. 1" on center from the first. Cable clamps must be gripping bare cable to ensure proper seating/grip.



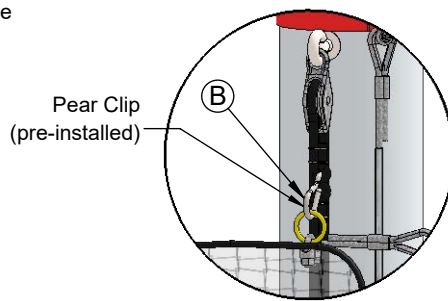
Aluminum Athletic Equipment
1000 Enterprise Drive, Royersford, PA 19468
Toll Free: (800) 523-5471 Phone: (610) 825-6565
www.aesports.com

BBS-20/SA Assembly Instruction Net Attachment

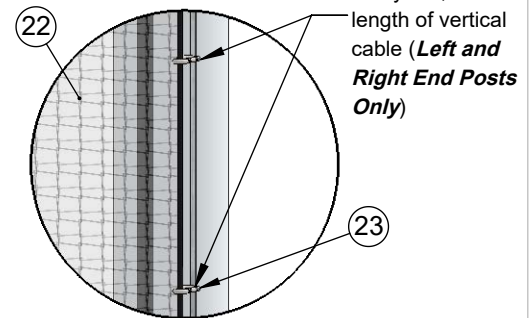
Note: Collars are Black in color, shown in different colors to aid in identification.



Brass Ring
Detail A



Hoist System
Detail B

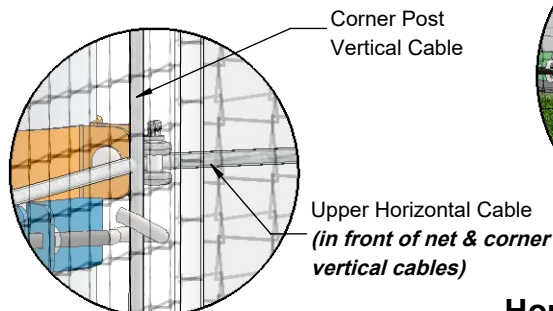


Net to End Post
Vertical Support Cable
Detail C

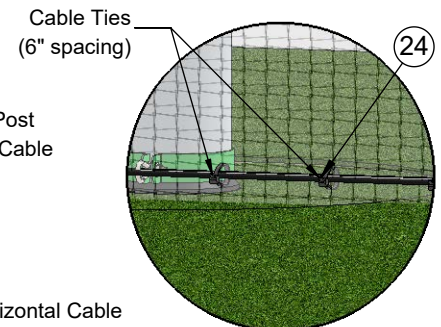
Installation Notes:

1. Lay net on ground across span of posts. *Make sure net is centered across span of posts.*
2. Using a Pear Clip Secure upper net corners to End Post Vertical Support Cables (*as shown in Detail C*)
3. Secure Brass Rings to top of net using Cable Clamp (*as shown in Detail A*). One ring and clamp per post and they should be centered as close as possible to its coinciding post.
4. After Brass Rings have been secured to net, clip ring into it's posts hoist system Pear Clip (*as shown in Detail B*).
5. As net is being raised make sure to secure net sides to the end post vertical support cables using provided **Pear Clips** (*refer to Detail C*). Pear Clips should be spaced approx. 12" or 9 net squares.
6. Once net has been completed raised tie hoist ropes onto cleat. Connect and tension the clamped loop ends of the **Corner Post Vertical Cables**.
7. Next install the **Upper Horizontal Cable**. Process for installation is the same as the Lower Horizontal cable. Difference being to make sure to run cable so that the net and corner post vertical support cables are between it and the posts, (*refer to Detail D*).
8. Lastly using provided **Cable Ties** spaced 6" apart, secure bottom of net to lower horizontal cable, (*refer to Detail E*).

Note: Hardware denoted "B" is included in item #3 "Hoist Rope"



Upper Horizontal & Corner
Vertical Support Cables
Detail D
(Left Corner Post config shown)

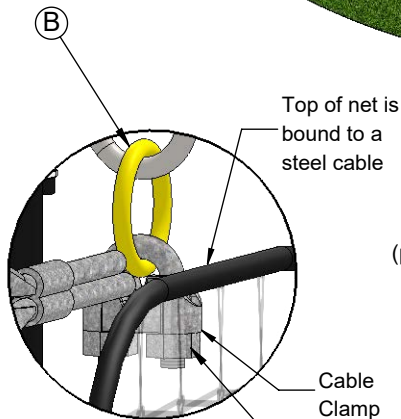
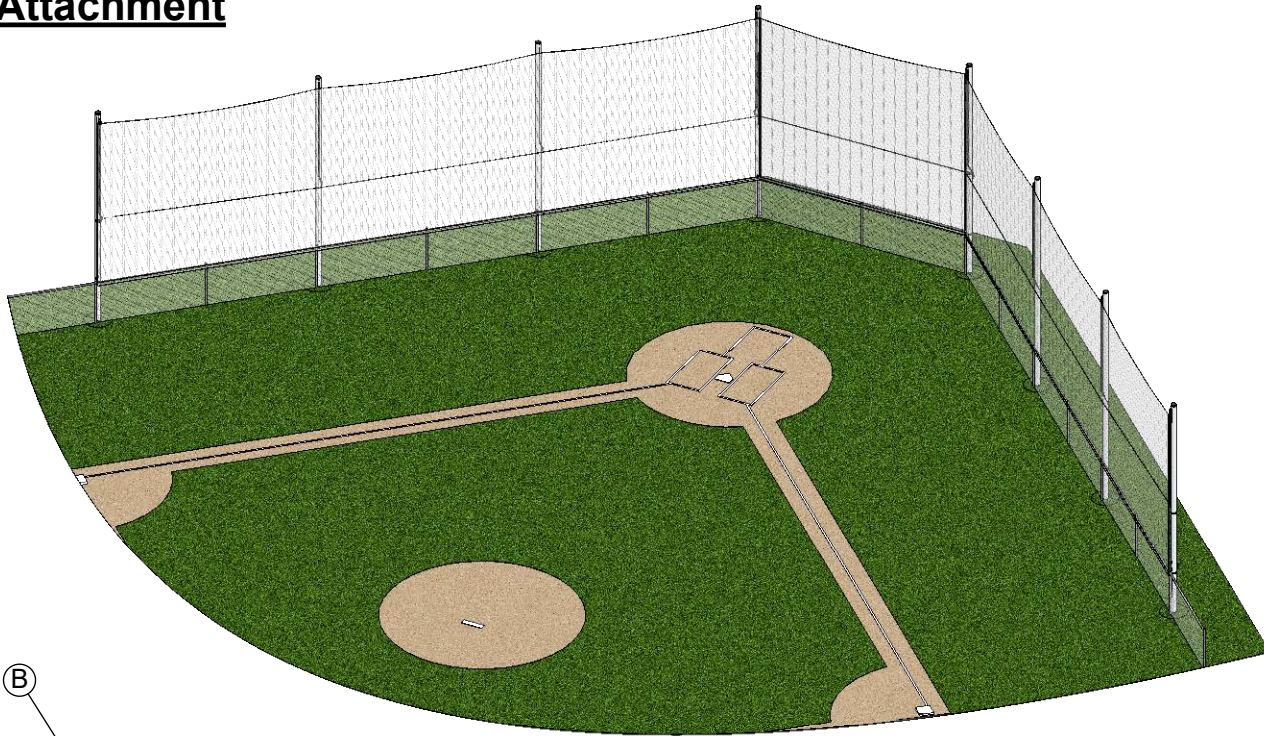


Net to Lower
Horizontal Support Cable
Detail E

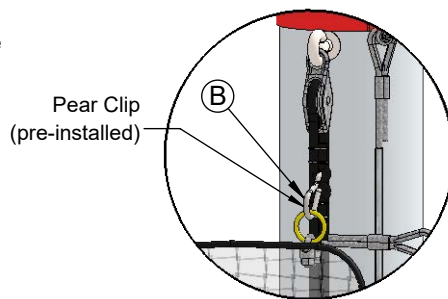


BBS-20 Assembly Instruction Net Attachment

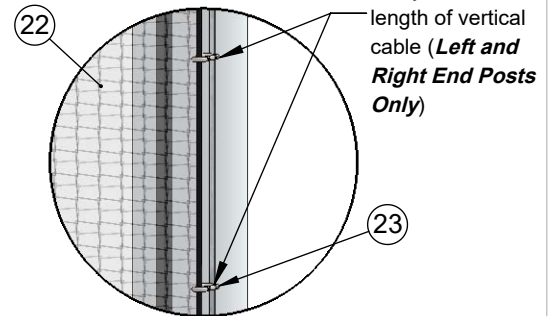
Note: Collars are Black in color, shown in different colors to aid in identification.



Brass Ring
Detail A



Hoist System
Detail B

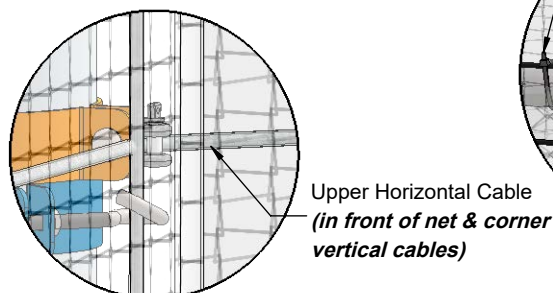


Net to End Post
Vertical Support Cable
Detail C

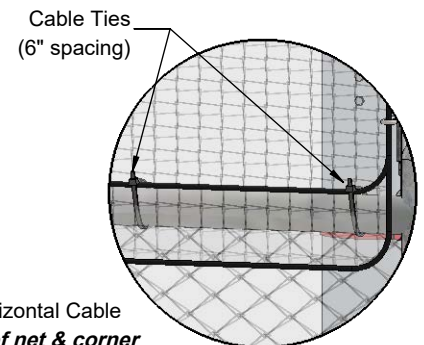
Installation Notes:

1. Lay net on ground across span of posts. *Make sure net is centered across span of posts.*
2. Using a Pear Clip Secure upper net corners to End Post Vertical Support Cables (*as shown in Detail C*)
3. Secure Brass Rings to top of net using Cable Clamp (*as shown in Detail A*). One ring and clamp per post and they should be centered as close as possible to its coinciding post.
4. After Brass Rings have been secured to net, clip ring into it's posts hoist system Pear Clip (*as shown in Detail B*).
5. As net is being raised make sure to secure net sides to the end post vertical support cables using provided **Pear Clips** (*refer to Detail C*). Pear Clips should be spaced approx. 12" or 9 net squares.
6. Once net has been completed raised tie hoist ropes onto cleat. Connect and tension the clamped loop ends of the **Corner Post Vertical Cables**.
7. Next install the **Upper Horizontal Cable**. Process for installation is the same as the Lower Horizontal cable. Difference being to make sure to run cable so that the net and corner post vertical support cables are between it and the posts, (*refer to Detail D*).
8. Lastly using provided **Cable Ties** spaced 6" apart, secure net offset border to fence rail, (*refer to Detail E*).

Note: Hardware denoted "B" is included in item #3 "Hoist Rope"



Upper Horizontal & Corner
Vertical Support Cables
Detail D
(Left Corner Post config shown)



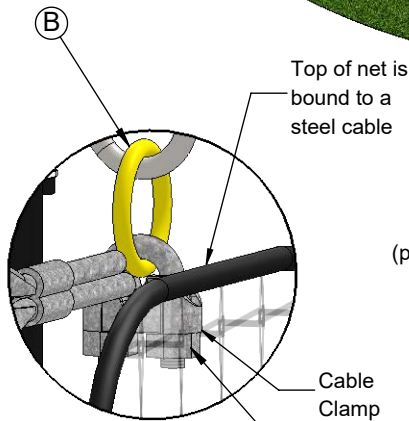
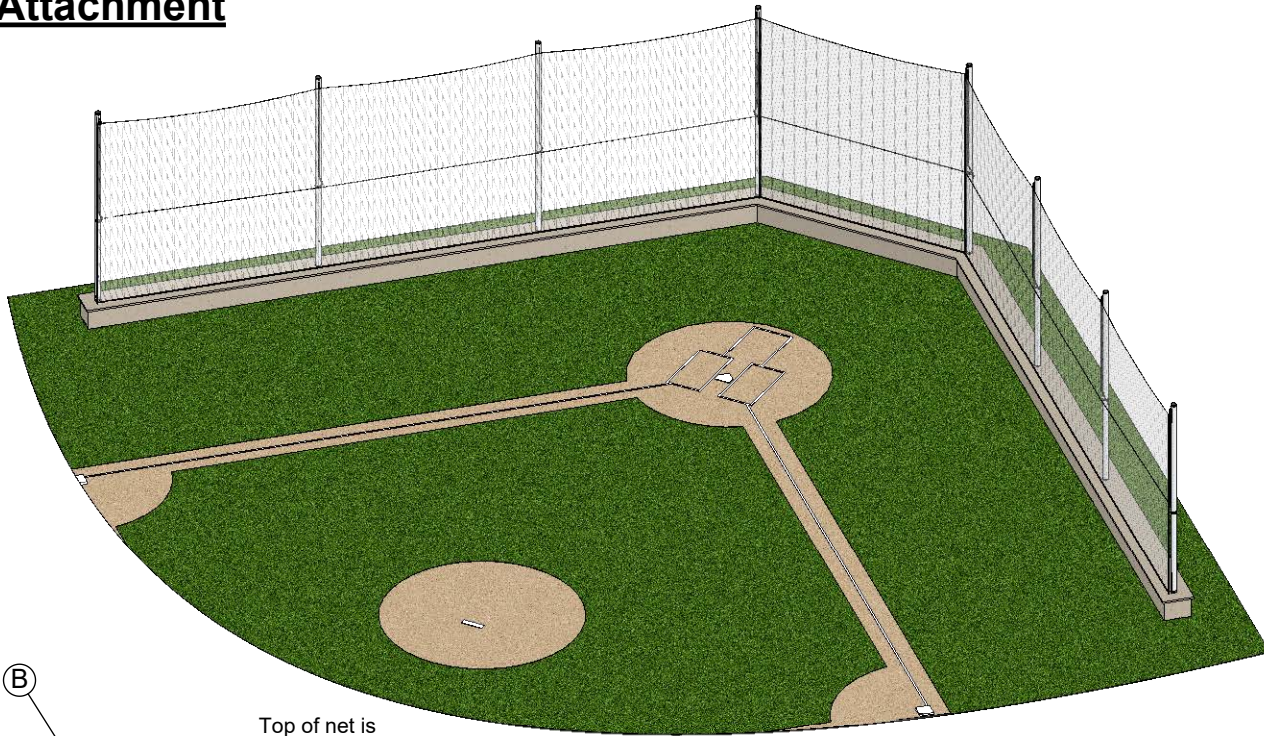
Net to Lower
Horizontal Support Cable
Detail E



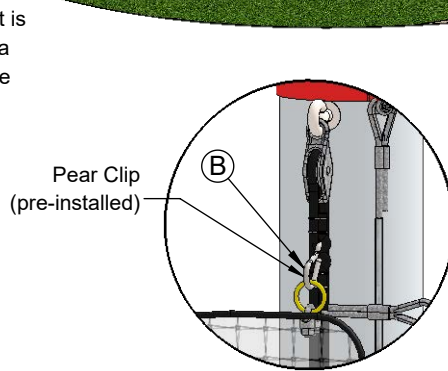
Aluminum Athletic Equipment
1000 Enterprise Drive, Royersford, PA 19468
Toll Free: (800) 523-5471 Phone: (610) 825-6565
www.aaesports.com

BBS-20/WA Assembly Instruction Net Attachment

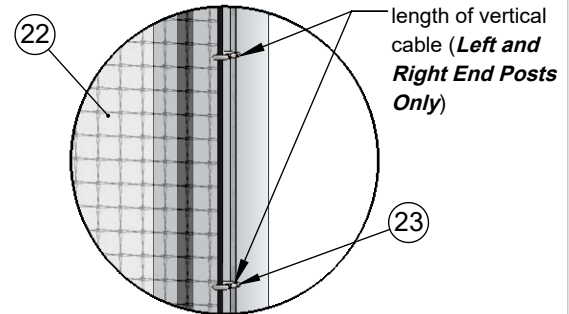
Note: Collars are Black in color, shown in different colors to aid in identification.



**Brass Ring
Detail A**



**Hoist System
Detail B**

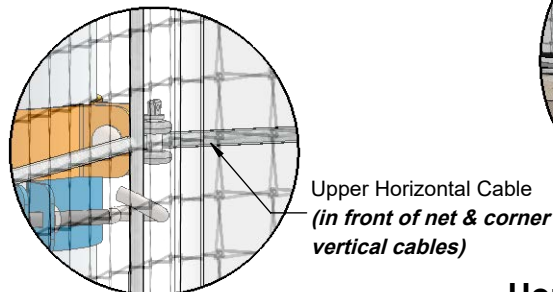


**Net to End Post
Vertical Support Cable
Detail C**

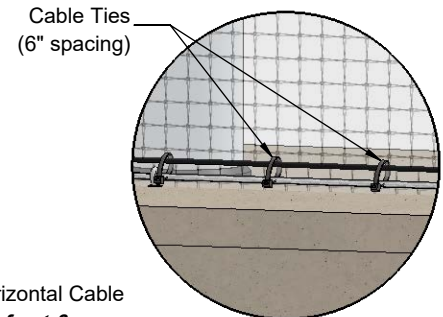
Installation Notes:

1. Lay net on ground across span of posts. *Make sure net is centered across span of posts.*
2. Using a Pear Clip Secure upper net corners to End Post Vertical Support Cables (*as shown in Detail C*)
3. Secure Brass Rings to top of net using Cable Clamp (*as shown in Detail A*). One ring and clamp per post and they should be centered as close as possible to its coinciding post.
4. After Brass Rings have been secured to net, clip ring into it's posts hoist system Pear Clip (*as shown in Detail B*).
5. As net is being raised make sure to secure net sides to the end post vertical support cables using provided **Pear Clips** (*refer to Detail C*). Pear Clips should be spaced approx. 12" or 9 net squares.
6. Once net has been completed raised tie hoist ropes onto cleat. Connect and tension the clamped loop ends of the **Corner Post Vertical Cables**.
7. Next install the **Upper Horizontal Cable**. Process for installation is the same as the Lower Horizontal cable. Difference being to make sure to run cable so that the net and corner post vertical support cables are between it and the posts, (*refer to Detail D*).
8. Lastly using provided **Cable Ties** spaced 6" apart, secure bottom of net to lower horizontal cable, (*refer to Detail E*).

Note: Hardware denoted "B" is included in item #3 "Hoist Rope"



**Upper Horizontal & Corner
Vertical Support Cables
Detail D
(Left Corner Post config shown)**



**Net to Lower
Horizontal Support Cable
Detail E**

