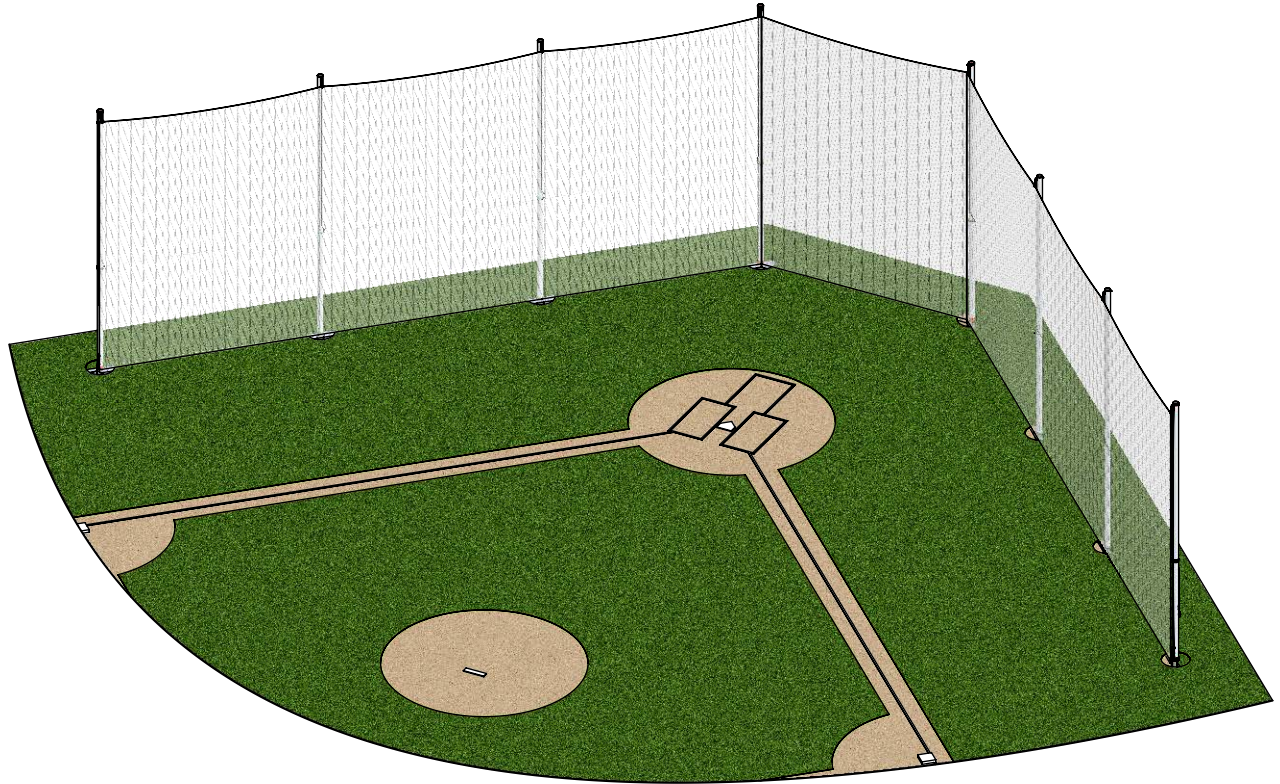


**BBS-25**  
**25' High Baseball BackStopper System**  
**Specification**



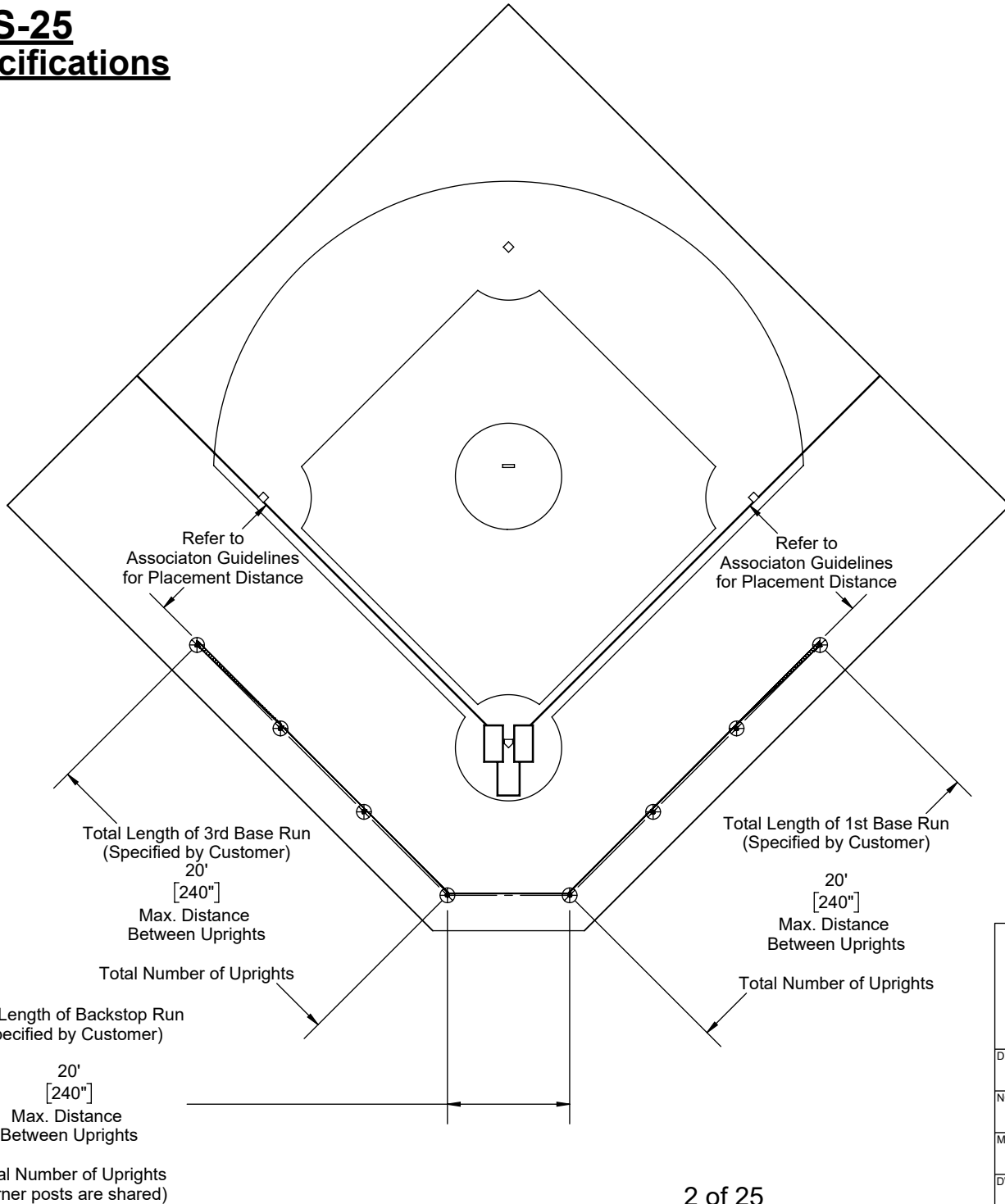
# BBS-25 Specifications

D

C

B

A



**Notes:**

1. Total number of Uprights per run, is determined by dividing the runs length evenly. with the resulting sections not exceeding 20' on center.
2. **Diagram shown is for reference only, actual system layout (number and placements of uprights) may differ from what is shown**



**Aluminum Athletic Equipment**  
1000 Enterprise Drive, Royersford, PA 19468  
Toll Free: (800) 523-5471 Phone: (610) 825-6565  
www.aaesports.com

DESCRIPTION: <b>Concrete Footing Placement Specification</b>		
NOTE: 25' HIGH BASEBALL BACKSTOPPER SYSTEM		
MODEL: BBS-25	CATEGORY: <b>CUSTOMER</b>	DATE: 4/20/2021
DWN. BY: NR	CAD FILE: BBS-25 Specifications	DWG. NO. BBS-25-C-002

6

5

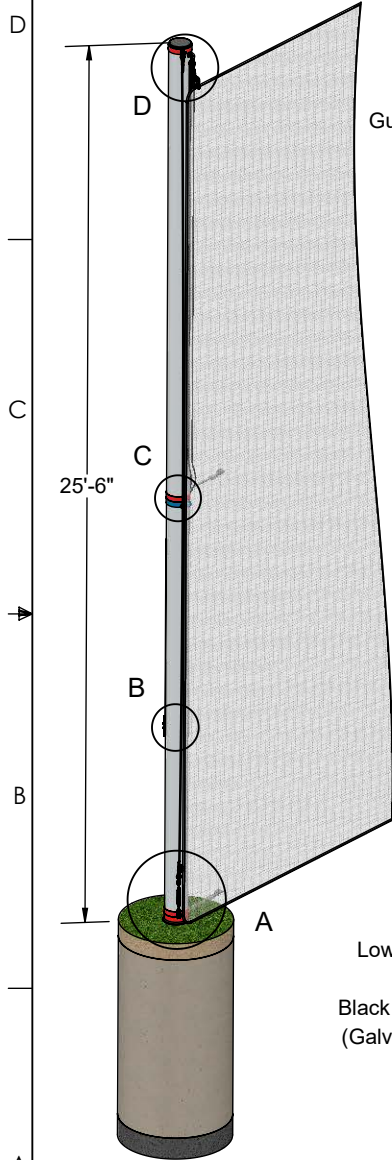
4

3

2

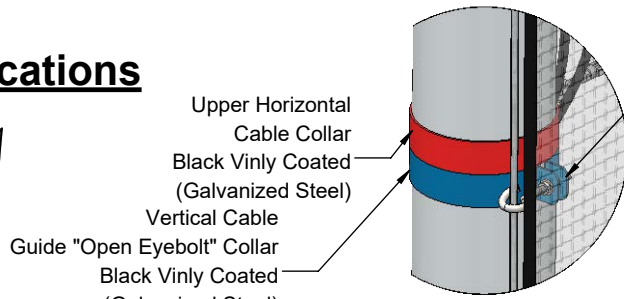
1

# BBS-25 Upright Specifications

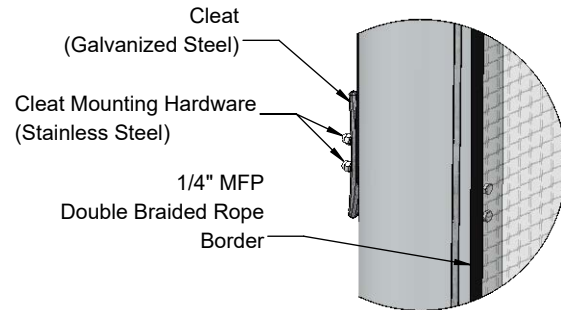


**Left End Post**  
(hardware configuration dependent on post location)

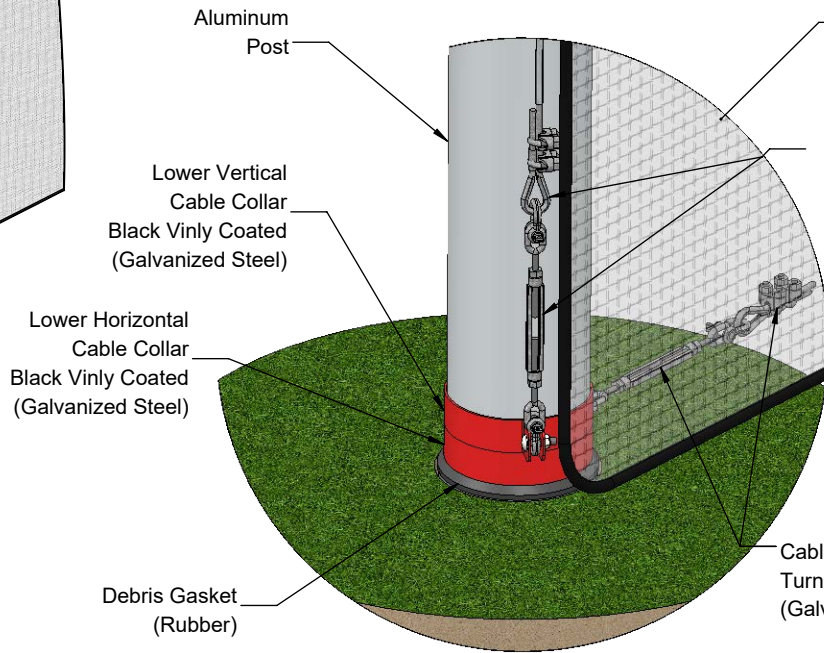
**Note: Collars are Black in color, shown in different colors to aid in identification.**



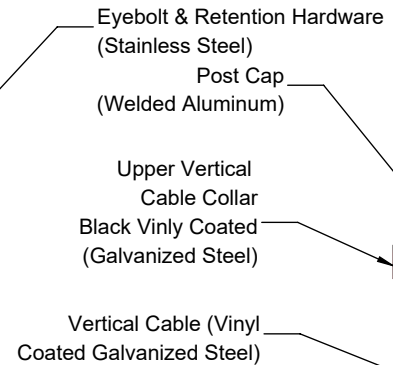
**DETAIL C**



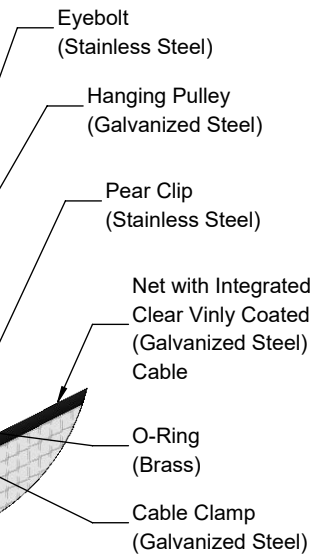
**DETAIL B**



**DETAIL A**



**DETAIL D**



Netting (Height varies with wall height, if applicable)  
Cable Endloop & Turnbuckle Hardware (Galvanized Steel)

## BBS-25 Specifications

### Post (Aluminum):

- $\varnothing 6"$  x .188" wall aluminum tube (Mill Aluminum 6061-T6)
- 29'-0" Overall Length (25'-6" out of ground sleeve)
- Weight = 116lbs./ea.
- All Hardware is RUSTPROOF

### Netting:

- Net: #AAE N361-#36, 1-3/4" sq. knotted Nylon, DBB, length to vary, 1/4" MFP Rope Border, UV protected and 1/4" cable hog tied to top of net

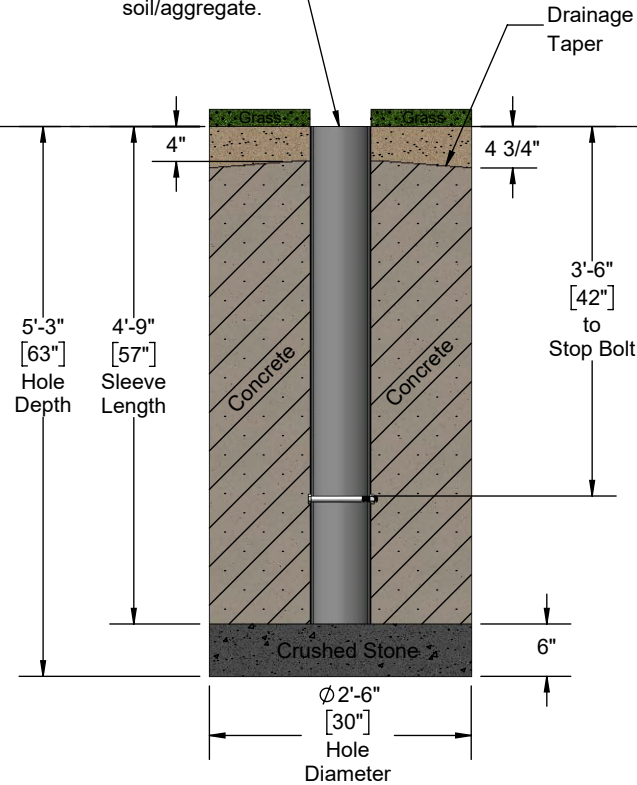


**Aluminum Athletic Equipment**  
1000 Enterprise Drive, Royersford, PA 19468  
Toll Free: (800) 523-5471 Phone: (610) 825-6565  
www.aaesports.com

DESCRIPTION			
<b>Upright Specification</b>			
NOTE: Upright Assembly Specification			
MODEL:	BBS-25	CATEGORY:	CUSTOMER
DATE:			4/20/2021
DRAWN BY:	NR	CAD FILE:	BBS-25 Specifications
DWG. NO.:			BBS-25-C-003

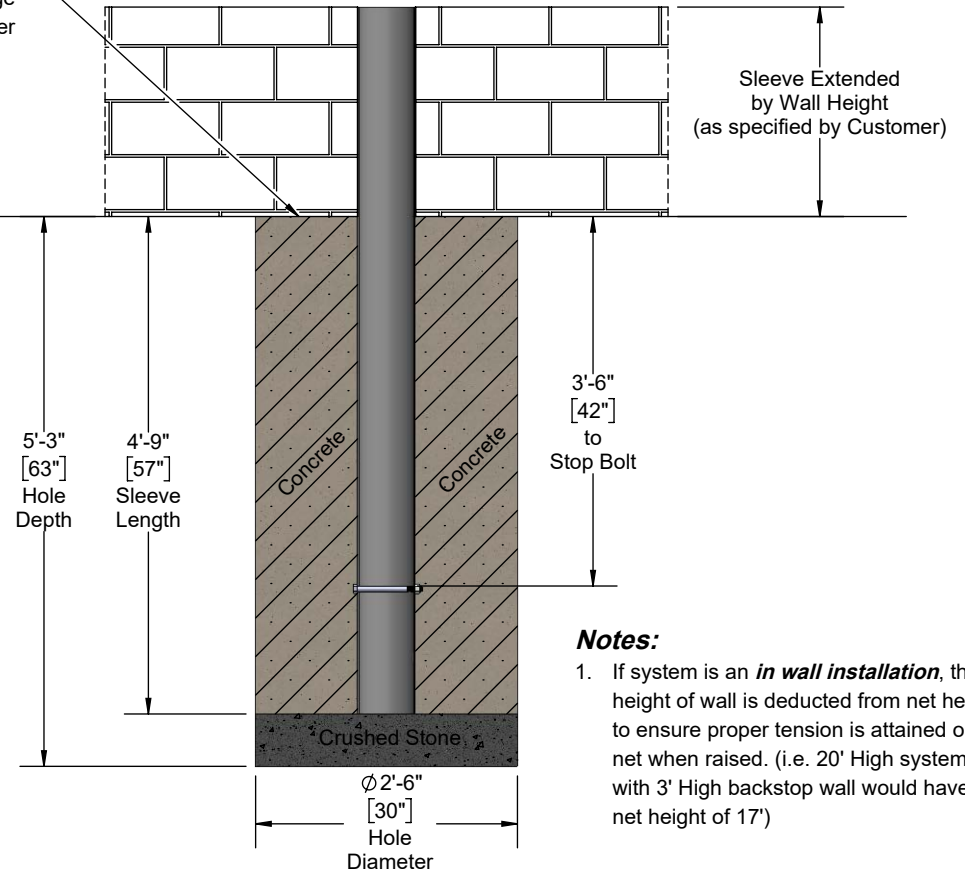
# BBS-25 Concrete Footing Specification

Top of post sleeve should be even with soil/aggregate.



**Standard Sleeve & Footing  
Natural Grass/Turf Field  
Specification**

No Drainage Taper



**Notes:**

1. If system is an *in wall installation*, then height of wall is deducted from net height, to ensure proper tension is attained on net when raised. (i.e. 20' High system with 3' High backstop wall would have a net height of 17')

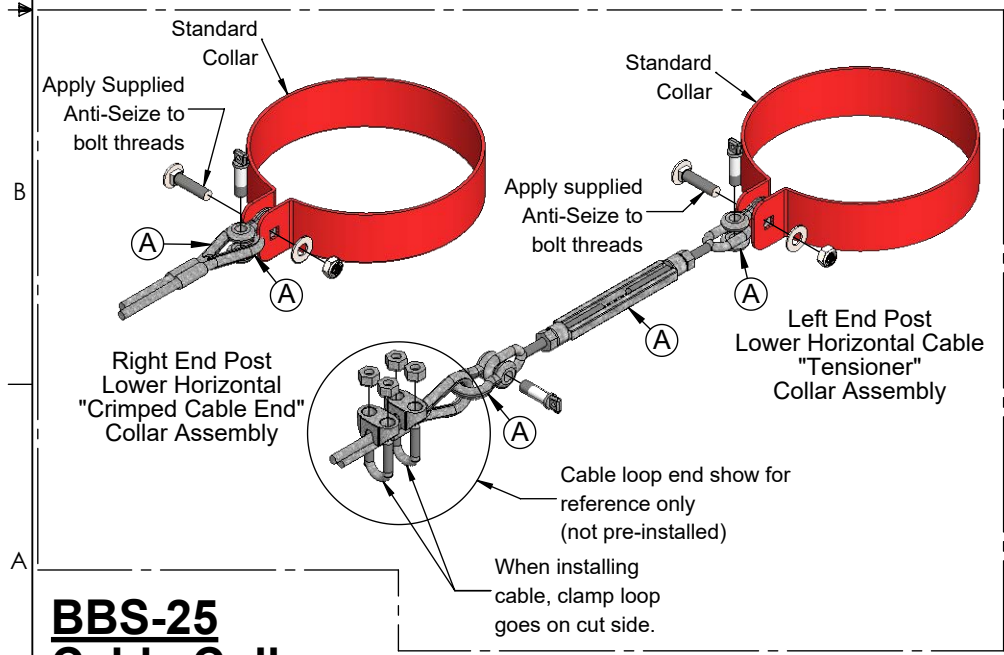
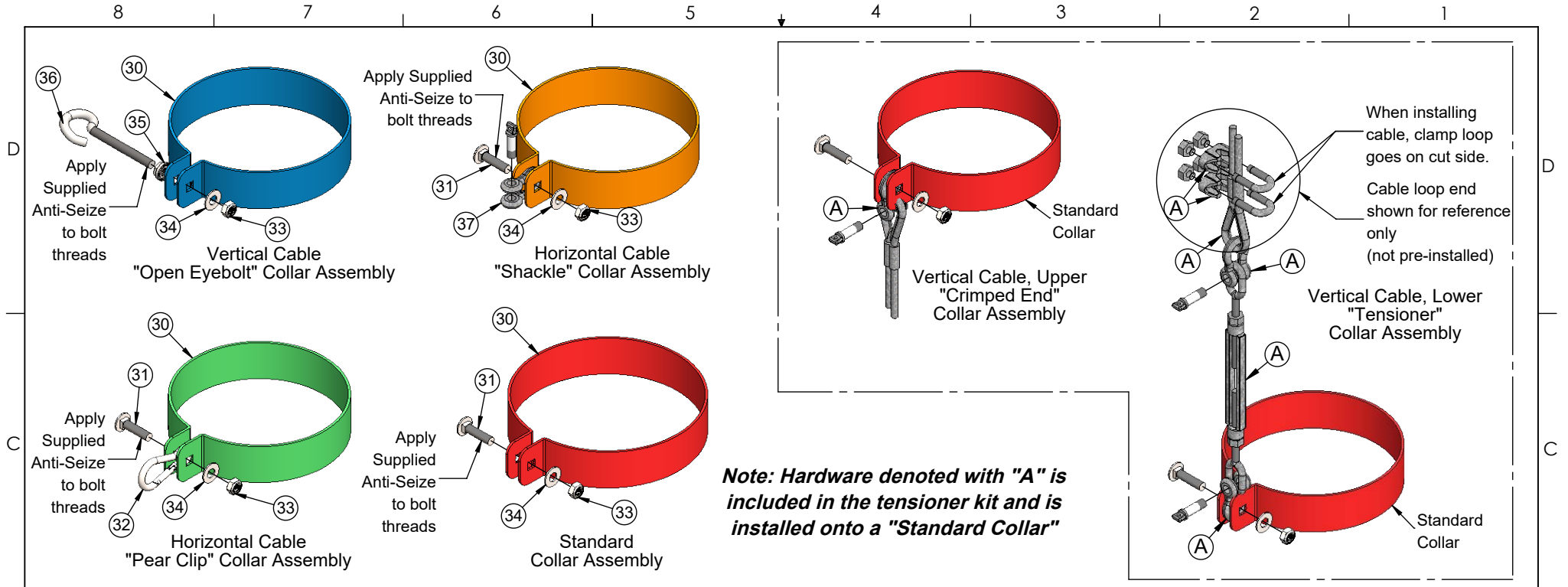
**Custom Sleeve & Footing  
Post In Wall  
Specification**



**Aluminum Athletic Equipment**  
1000 Enterprise Drive, Royersford, PA 19468  
Toll Free: (800) 523-5471 Phone: (610) 825-6565  
www.aesports.com

DESCRIPTION			
Concrete Footing Specification			
NOTE: Grass & Turf Concrete Footing Specification			
MODEL:	BBS-25	CATEGORY:	CUSTOMER
		DATE:	4/20/2021
DRAWN BY:	NR	CAD FILE:	BBS-25 Specifications
		DWG. NO.:	BBS-25-C-004

Note: \*\*Consult Local Codes



ITEM NO.	Item	DESCRIPTION
30	Securing Collar	8", I.D., Securing Collar
31	Bolt	5/16"-18 x 1-1/4", Carriage bolt, SS
32	Snap	1/4", Pear Clip Snap, Plated
33	Ny-Lock Hex Nut, Thin	5/16"-18, Self Locking Nut, SS, Thin
34	Washer	5/16" Flat Washer, SS
35	Wiz-Lock Hex Nut	5/16"-18, Wiz-Lock Nut, SS
36	Open Eyebolt	5/16"-18, Open Eyebolt, SS
37	Shackle	1/4" Anchor Shackle



**AAE**  
**Aluminum Athletic Equipment**  
 1000 Enterprise Drive, Royersford, PA 19468  
 Toll Free: (800) 523-5471 Phone: (610) 825-6565  
 www.aaesports.com

DESCRIPTION: **BBS-25 Collar assemblies**

NOTE: QTY of collar assemblies will vary depending on system

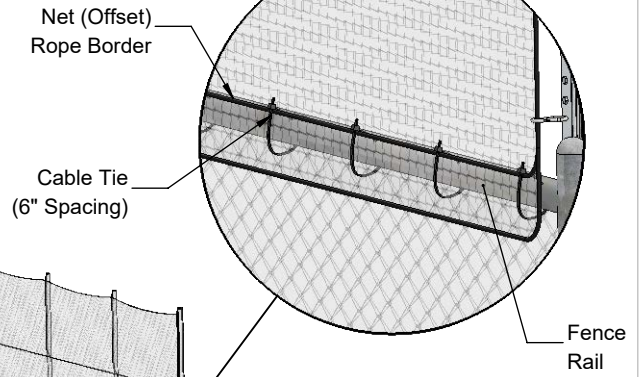
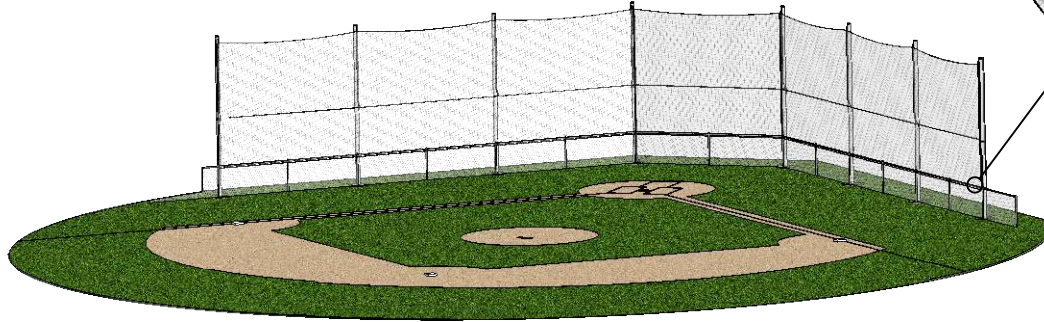
MODEL: BBS-25	CATEGORY: CUSTOMER	DATE: 4/20/2021
DRAWN BY: NR	CAD FILE: BBS-25 Specifications	DWG. NO. BBS-25-C-005

# BBS-25 Cable Collar Assembly Diagrams

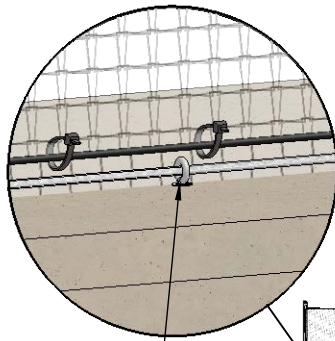
**Note: Collars are Black in color, shown in different colors to aid in identification.**

# BBS-25 Configurations

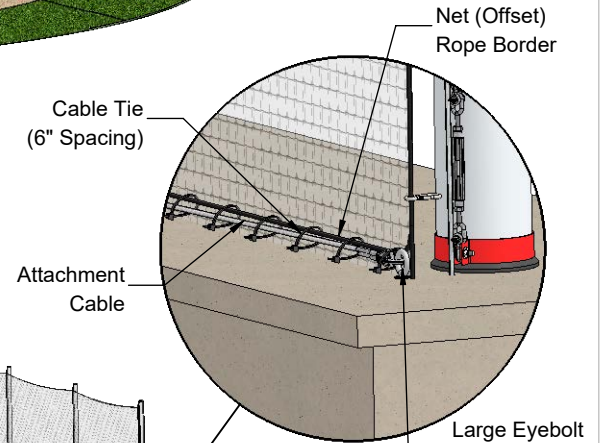
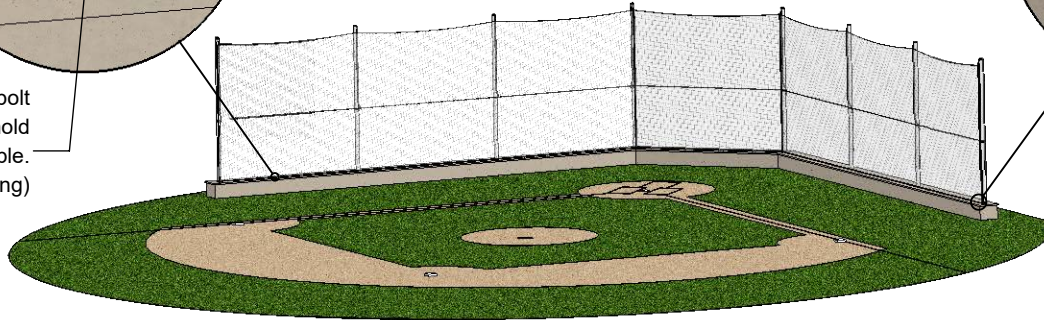
**Note:** Pre-Fab Approval form will need to be filled out prior to making the system, where wall/fence heights, length of net and attachment style will need to be specified.



## BBS-XX/FA Fence Attachment

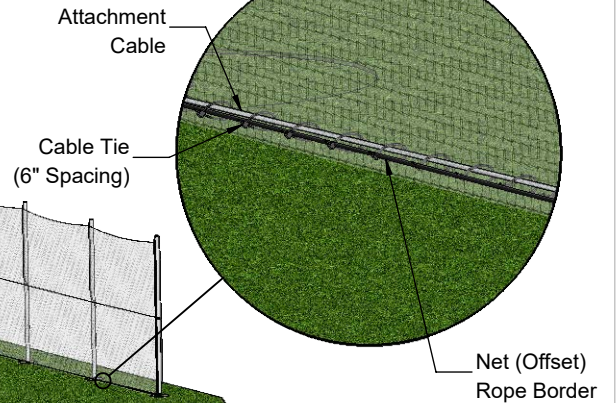
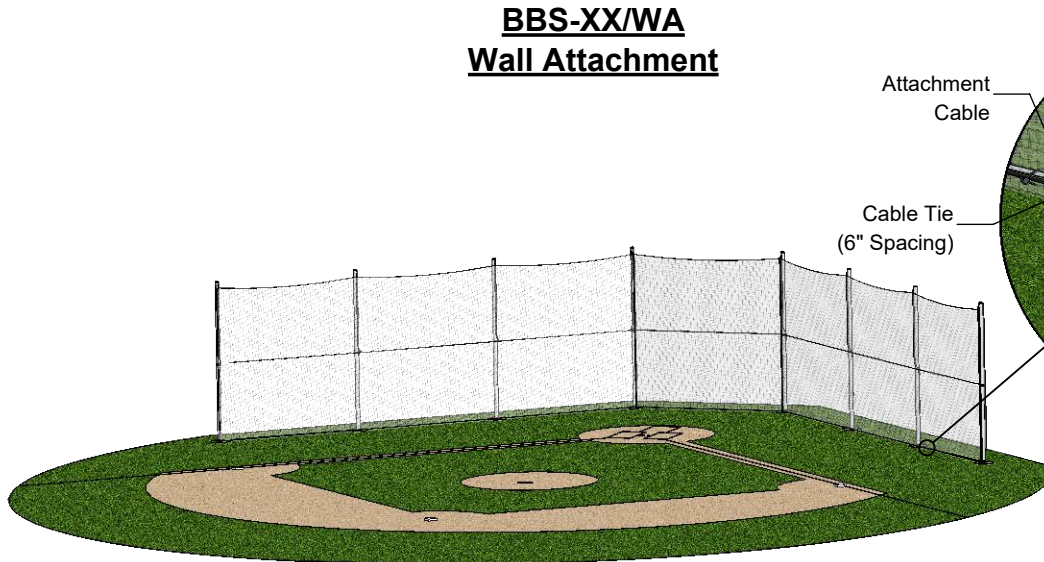


Small Eyebolt used to hold down cable. (4\"/>



Large Eyebolt used to anchor tensioned cable. Placement: at each end and in corners if run is not straight (i.e. backstop)

## BBS-XX/WA Wall Attachment



## BBS-XX/SA Standard Attachment

**Note:** XX equals specified system height (i.e. 20' height, wall attachment system = BBS-20/WA)

# Model No. BBS-25/FA

## Parts List

PARTS LIST			
Part List #	Item	Description	Qty.
1	Post	25' BBS System Posts w/ Cap	Ω
2	Ground Sleeve	57" Length Ground Sleeve, w/ Stop Bolt	Ω
Hanging Rope & Pulley System (Pre-Assembled)			
3	Hoist	Pre-assembled Hoist Rope/Pulley System	Ω
4	Washer	1/2" Flat Washer, SS	Σ
5	Hex Nut	1/2"-13 Hex Nut, Self Locking	Ω
Cleat & Hardware			
6	Cleat	Tapered Cleat, Glavanized Steel	Ω
7	Bolt	1/4"-20 x 7-1/2" Hex Bolt, SS	Σ
9	Hex Nut	1/4"-20 Hex Nut, SS, Self Locking	Σ
10	Cap Nut	1/4"-20 Cap Nut, SS,	Σ
Collar Assemblies			
11	Standard Collar	6" I.D. Standard Collar Assembly	Φ
12	Pear Clip Collar	6" I.D. Pear Clip Collar Assembly	π
13	Open Eyebolt Collar	6" I.D. Open Eyebolt Collar Assembly	λ
14	Shackle Collar	6" I.D. Shackle Collar Assembly	Ϡ
15	Tensioner Kit	Ball Stoper Tensioner Kit	Δ
Net & Hardware			
16	Net	#AAE N361, 1-3/4" sq. Mesh, Knotted Nylon	ψ
17	Snap	1/4" Pear Clip Snap, Plated	↵
18	Cable Tie	15" Cable Tie, 120 LB., Black	¥
19	Vertical Cable	3/16" Steel Cable with Clear Jacket, 1/4" O.D.	λ
OPTIONAL ACCESSORIES			
40	Debris Collar	Debris Collar, 6" Diameter	Ω
<p><i>*Qty of posts (will vary depending on length fo system)</i></p> <p><i>*Net Height = (specified system height - customer provided fence height)</i></p> <p><math>\Omega = (\# \text{ ft. per system} / 20 \text{ ft.}) + 1</math></p> <p><math>\Sigma = [(\# \text{ ft. per system} / 20 \text{ ft.}) + 1] \times 2</math></p> <p><math>\Phi = (6 \text{ per system}) + 2 \text{ per corner post}</math></p> <p><math>\pi = \{[(\# \text{ ft. per system} / 20 \text{ ft.}) - 1] - (\# \text{ of corner posts})\}</math></p> <p><math>\Delta = (3 \text{ per system}) + 1 \text{ per corner post}</math></p> <p><math>\lambda = 1 \text{ per Corner \&amp; End Post}</math></p> <p><math>\rho = 1 \text{ per Corner Post}</math></p> <p><math>\psi = \# \text{ ft. net length}</math></p> <p><math>\zeta = (\# \text{ ft. net height}) \times 2</math></p> <p><math>\yen = (\# \text{ ft. net length}) \times 2</math></p>			

# Model No. BBS-25/WA

## Parts List

<b>PARTS LIST</b>			
<b>Part List #</b>	<b>Item</b>	<b>Description</b>	<b>Qty.</b>
1	Post	25' BBS System Posts w/ Cap	Ω
2	Ground Sleeve	57" + (Wall Height) Length Ground Sleeve, w/ Stop Bolt	Ω
<b>Hanging Rope &amp; Pulley System (Pre-Assembled)</b>			
3	Hoist	Pre-assembled Hoist Rope/Pulley System	Ω
4	Washer	1/2" Flat Washer, SS	Σ
5	Hex Nut	1/2"-13 Hex Nut, Self Locking	Ω
<b>Cleat &amp; Hardware</b>			
6	Cleat	Tapered Cleat, Glvanized Steel	Ω
7	Bolt	1/4"-20 x 7-1/2" Hex Bolt, SS	Σ
9	Hex Nut	1/4"-20 Hex Nut, SS, Self Locking	Σ
10	Cap Nut	1/4"-20 Cap Nut, SS,	Σ
<b>Collar Assemblies</b>			
11	Standard Collar	6" I.D. Standard Collar Assembly	Φ
12	Pear Clip Collar	6" I.D. Pear Clip Collar Assembly	π
13	Open Eyebolt Collar	6" I.D. Open Eyebolt Collar Assembly	λ
14	Shackle Collar	6" I.D. Shackle Collar Assembly	Ϡ
15	Tensioner Kit	Ball Stoper Tensioner Kit	Δ
<b>Net &amp; Hardware</b>			
16	Net	#AAE N361, 1-3/4" sq. Mesh, Knotted Nylon	Ψ
17	Snap	1/4" Pear Clip Snap, Plated	↵
18	Cable Tie	15" Cable Tie, 120 LB., Black	¥
19	Vertical Cable	3/16" Steel Cable with Clear Jacket, 1/4" O.D.	λ
<b>Attachment Cable &amp; Hardware</b>			
20	Hold-Down Cable	3/16" Steel Cable with Clear Jacket, 1/4" O.D.	v
21	Large Eyebolt	3/8"-16 x 3" Closed Eyebolt, SS	λ
22	Washer	3/8" x 1" O.D., Flat Washer, SS	λ
23	Large Anchor	3/8"-16 Double Expansion Anchor	λ
24	Small Eyebolt	1/4"-20 x 2" Closed Eyebolt, SS	χ
25	Washer	1/4" x 5/8" O.D., Flat Washer, SS	χ
26	Small Anchor	1/4"-20 Double Expansion Anchor	χ
15	Tensioner Kit	Ball Stoper Tensioner Kit	Δ
<b>OPTIONAL ACCESSORIES</b>			
40	Debris Collar	Debris Collar, 6" Diameter	Ω
<p><i>*Qty of posts (will vary depending on length fo system)</i></p> <p><i>*Net Height = (specified system height - customer provided wall height)</i></p> <p><math>Ω = (\# \text{ ft. per system} / 20 \text{ ft.}) + 1</math></p> <p><math>Σ = [(\# \text{ ft. per system} / 20 \text{ ft.}) + 1] \times 2</math></p> <p><math>Φ = (6 \text{ per system}) + 2 \text{ per corner post}</math></p> <p><math>π = \{[(\# \text{ ft. per system} / 20 \text{ ft.}) - 1] - (\# \text{ of corner posts})\}</math></p> <p><math>Δ = (4 \text{ per system}) + 1 \text{ per corner post}</math></p> <p><math>λ = 1 \text{ per Corner \&amp; End Post}</math></p> <p><math>Ϡ = 1 \text{ per Corner Post}</math></p> <p><math>ψ = \# \text{ ft. net length}</math></p> <p><math>↵ = (\# \text{ ft. system height} - \text{wall height}) \times 2</math></p> <p><math>¥ = (\# \text{ ft. net length}) \times 2</math></p> <p><math>χ = (\# \text{ ft. net length}) / 4 \text{ ft.}</math></p> <p><math>v = (\# \text{ ft. net length}) + 1 \text{ ft.}</math></p>			



**Aluminum Athletic Equipment**  
 1000 Enterprise Drive, Royersford, PA 19468  
 Toll Free: (800) 523-5471 Phone: (610) 825-6565  
[www.aaesports.com](http://www.aaesports.com)



# Model No. BBS-25/SA

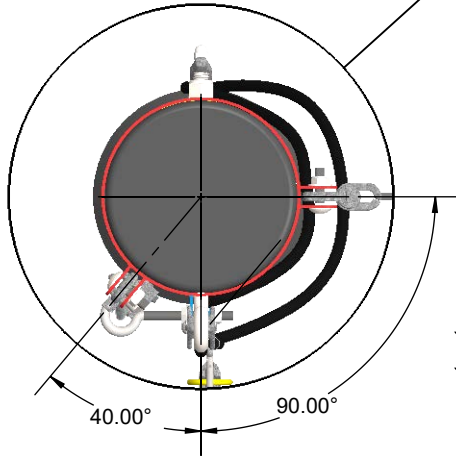
## Parts List

PARTS LIST			
Part List #	Item	Description	Qty.
1	Post	25' BBS System Posts w/ Cap	Ω
2	Ground Sleeve	57" Length Ground Sleeve, w/ Stop Bolt	Ω
Hanging Rope & Pulley System (Pre-Assembled)			
3	Hoist	Pre-assembled Hoist Rope/Pulley System	Ω
4	Washer	1/2" Flat Washer, SS	Σ
5	Hex Nut	1/2"-13 Hex Nut, Self Locking	Ω
Cleat & Hardware			
6	Cleat	Tapered Cleat, Glavanized Steel	Ω
7	Bolt	1/4"-20 x 7-1/2" Hex Bolt, SS	Σ
9	Hex Nut	1/4"-20 Hex Nut, SS, Self Locking	Σ
10	Cap Nut	1/4"-20 Cap Nut, SS,	Σ
Collar Assemblies			
11	Standard Collar	6" I.D. Standard Collar Assembly	Φ
12	Pear Clip Collar	6" I.D. Pear Clip Collar Assembly	π
13	Open Eyebolt Collar	6" I.D. Open Eyebolt Collar Assembly	λ
14	Shackle Collar	6" I.D. Shackle Collar Assembly	Ϡ
15	Tensioner Kit	Ball Stoper Tensioner Kit	Δ
Net & Hardware			
16	Net	#AAE N361, 1-3/4" sq. Mesh, Knotted Nylon	ψ
17	Snap	1/4" Pear Clip Snap, Plated	↵
18	Cable Tie	15" Cable Tie, 120 LB., Black	¥
19	Vertical Cable	3/16" Steel Cable with Clear Jacket, 1/4" O.D.	λ
Attachment Cable & Hardware			
20	Hold-Down Cable	3/16" Steel Cable with Clear Jacket, 1/4" O.D.	v
16	Tensioner Kit	Ball Stoper Tensioner Kit	Δ
OPTIONAL ACCESSORIES			
40	Debris Collar	Debris Collar, 6" Diameter	Ω
*Qty of posts (will vary depending on length fo system)			
*Net Height = (specified system height)			
$\Omega = (\# \text{ ft. per system} / 20 \text{ ft.}) + 1$			
$\Sigma = [(\# \text{ ft. per system} / 20 \text{ ft.}) + 1] \times 2$			
$\Phi = (8 \text{ per system}) + 2 \text{ per corner post}$			
$\pi = \{[(\# \text{ ft. per system} / 20 \text{ ft.}) - 1] - (\# \text{ of corner posts})\} \times 2$			
$\Delta = (4 \text{ per system}) + 1 \text{ per corner post}$			
$\lambda = 1 \text{ per Corner \& End Post}$			
$\rho = 2 \text{ per Corner Post}$			
$\psi = \# \text{ ft. net length}$			
$\zeta = (\# \text{ ft. system height} - \text{wall height}) \times 2$			
$\yen = (\# \text{ ft. net length}) \times 2$			
$v = (\# \text{ ft. net length}) + 1 \text{ft.}$			

# BBS-25/SA

## Assembly Instruction

### Left End Post

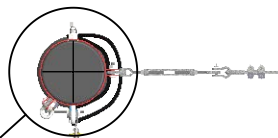


**Collar Orientation Detail**

(Note: **ONLY** vertical cable collars should be turned away from netting)

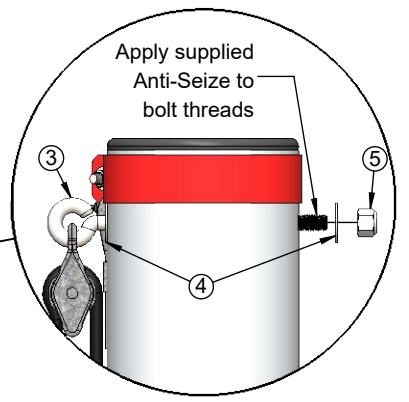
#### Installation Notes:

- Lower Collars:** From bottom of pole slide the lower vertical cable collar, lower horizontal collar and debris ring (optional) into position. To allow proper insertion into ground sleeve, lower most collar should be 42" from end of post. Before securing collars into place make sure to rotate the lower vertical collar approx 40°. (refer to diagram)
- Cleat:** Is to be installed so that it is on backside of post, opposite net. Screws will be inserted through post and cleat and secured on opposite of net side using Nylock hex-nuts and cap nuts. (refer to diagram)
- Mid Collar Open Eyebolt:** Note orientation of collar on post. From top of pole slide the open eyebolt collar into position (refer to diagram) and secure into place.
- Mid Collar Tensioner:** Note orientation of collar on post. From top of pole slide the open eyebolt collar into position and rotate approx 45° counterclockwise (refer to diagram) and secure into place.
- Eyebolt:** Pulley system comes preassembled to eyebolt. Install washer onto eyebolt then insert eyebolt with washer through front side of hole at top of post. From opposite side secure eyebolt into place using a flatwasher and self-locking hex-nut. (refer to diagram)
- Upper Collar:** From top of pole slide the upper vertical cable collar into position (collar should rest on eyebolt washers). Before securing into place make sure to rotate the collar clockwise, approx 40°. (refer to diagram)
- Make sure warning labels are present on goal posts.



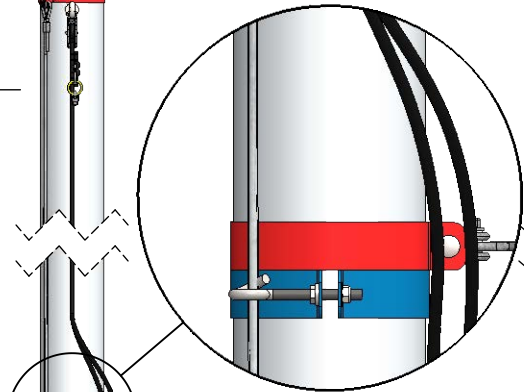
Post Cap pre-installed

Net Pulley System

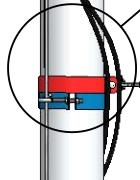


**Eyebolt Detail**

Apply supplied Anti-Seize to bolt threads

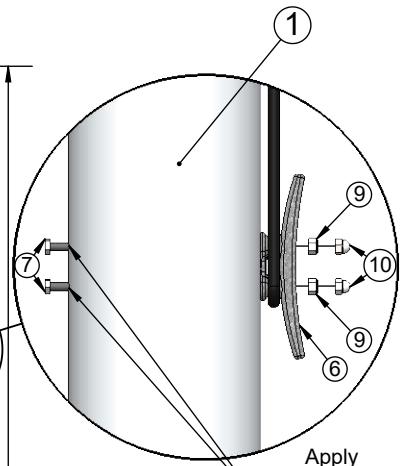


**Open Eyebolt Collar Detail**



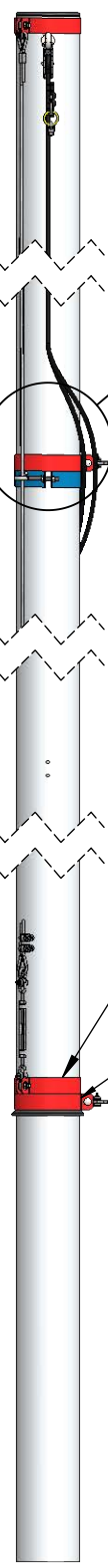
Lower Vertical Cable Collar w/ Tensioner Assembly (see collar orientation detail)

Lower Horizontal Cable Collar w/ Tensioner Assembly

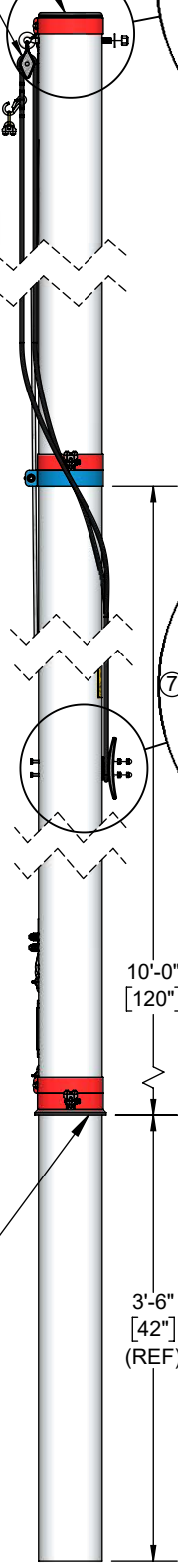


**Cleat Detail**

Apply supplied Anti-Seize to bolt threads



**Front View**



**Right View**

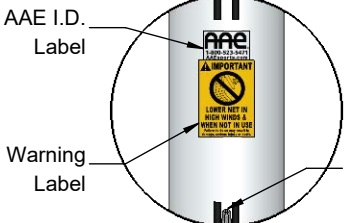
Debris Ring (Optional) If not present Make sure lower collars are positioned accordingly.

10'-0" [120"]

3'-6" [42"] (REF)



Anti-Seize (supplied by AAE)



Warning Label

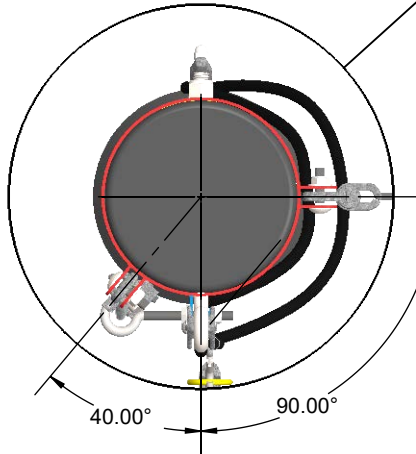
Cleat (for positional ref)

**Note:** Post assembly should be done with post laying down on flat level surface.

**Note: Collars are Black in color, shown in different colors to aid in identification.**



# BBS-25/FA & /WA Assembly Instruction Left End Post

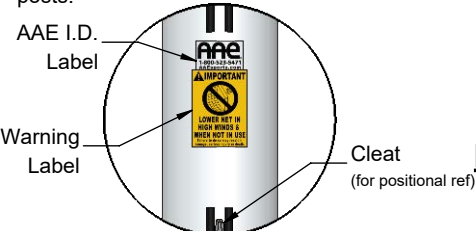


**Collar Orientation  
Detail**

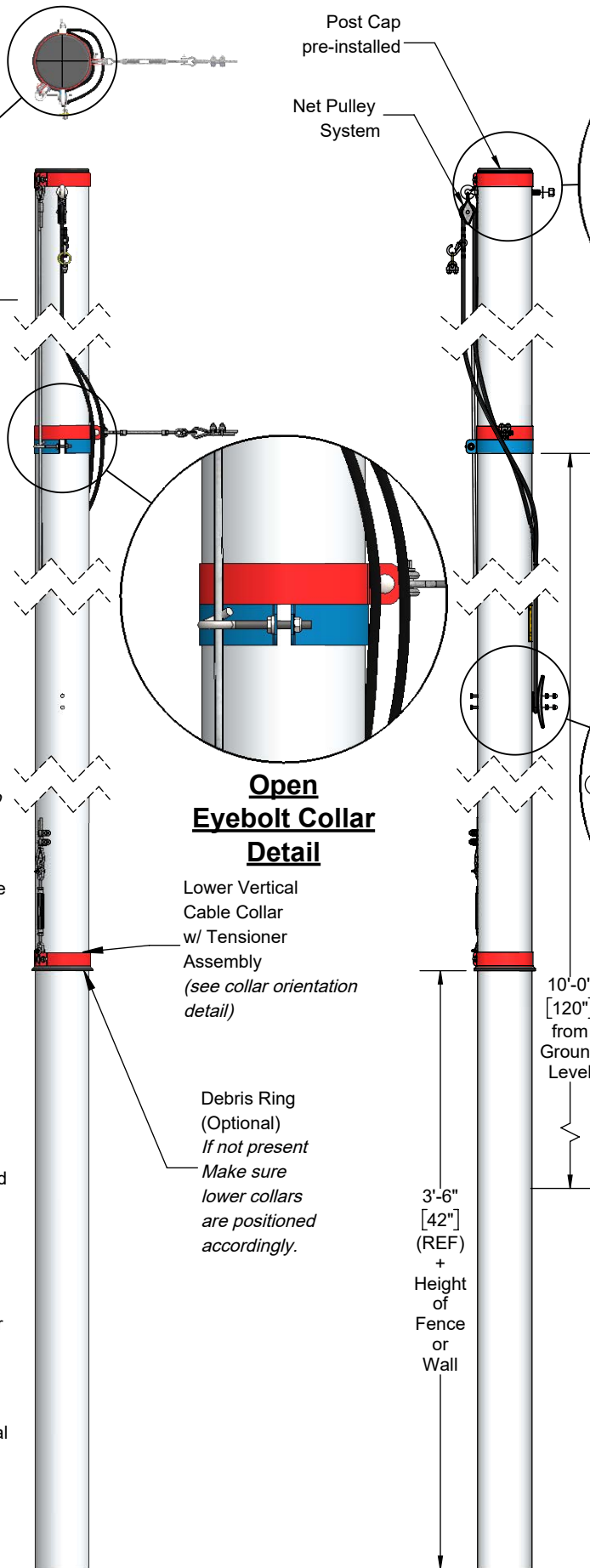
(Note: **ONLY** vertical cable collars should be turned away from netting)

## Installation Notes:

- Lower Collar(s):** From bottom of pole slide the lower vertical cable collar, lower horizontal collar and debris ring (optional) into position. To allow proper insertion into ground sleeve, lower most collar should be 42" + Height of Wall/Fence from end of post. Before securing collars into place make sure to rotate the lower vertical collar approx 40°. (refer to diagram)
- Cleat:** Is to be installed so that it is on backside of post, opposite net. Screws will be inserted through post and cleat and secured on net side using Nylock hex-nuts and cap nuts. (refer to diagram)
- Mid Collar Open Eyebolt:** Note orientation of collar on post. From top of pole slide the open eyebolt collar into position (refer to diagram) and secure into place.
- Mid Collar Tensioner:** Note orientation of collar on post. From top of pole slide the open eyebolt collar into position and, rotate approx 45° counterclockwise (refer to diagram) and secure into place.
- Eyebolt:** Pulley system comes preassembled to eyebolt. Install washer onto eyebolt then insert eyebolt with washer through front side of hole at top of post. From opposite side secure eyebolt into place using a flatwasher and self-locking hex-nut. (refer to diagram)
- Upper Collar:** From top of pole slide the upper vertical cable collar into position (collar should rest on eyebolt washers). Before securing into place make sure to rotate the collar clockwise, approx 40°. (refer to diagram)
- Make sure warning labels are present on goal posts.



**Front  
View**



**Right  
View**

Post Cap  
pre-installed

Net Pulley  
System

Apply supplied  
Anti-Seize to  
bolt threads

**Eyebolt  
Detail**

**Open  
Eyebolt Collar  
Detail**

Lower Vertical  
Cable Collar  
w/ Tensioner  
Assembly  
(see collar orientation  
detail)

Debris Ring  
(Optional)  
If not present  
Make sure  
lower collars  
are positioned  
accordingly.

**Cleat  
Detail**

Apply  
supplied  
Anti-Seize  
to bolt  
threads

Anti-Seize  
(supplied by AAE)

**Note:**  
Post assembly should be  
done with post laying down  
on flat level surface.



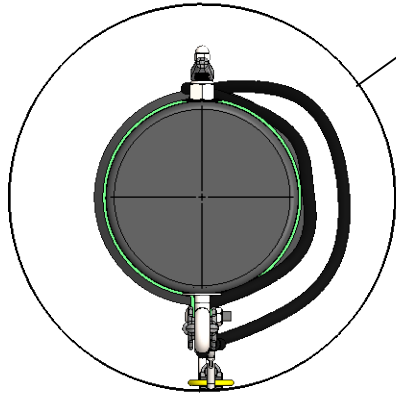
**Aluminum Athletic Equipment**  
1000 Enterprise Drive, Royersford, PA 19468  
Toll Free: (800) 523-5471 Phone: (610) 825-6565  
www.aasports.com

**Note: Collars are Black in color, shown  
in different colors to aid in identification.**

# BBS-25/SA

## Assembly Instruction

### Inner Post

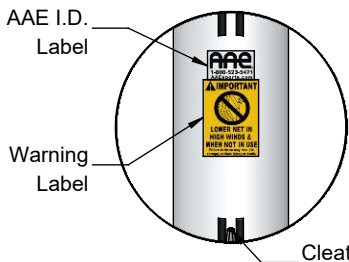


#### Collar Orientation Detail

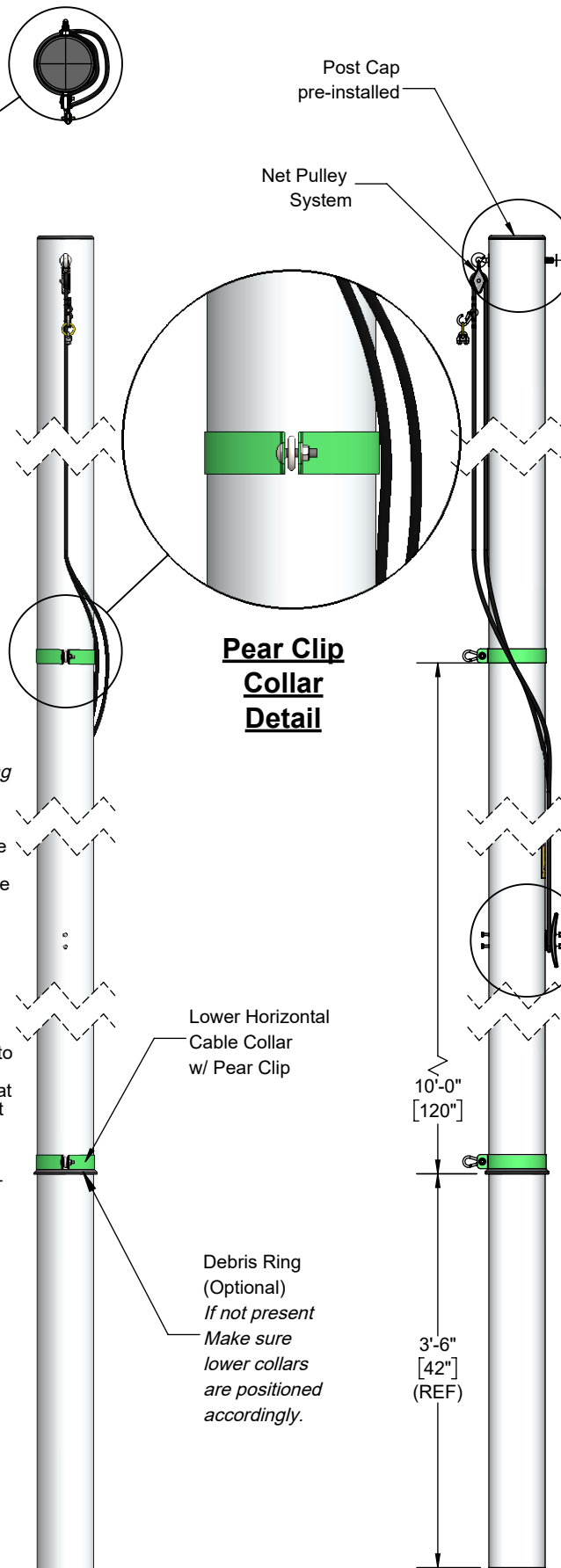
(Note: **ONLY** vertical cable collars should be turned away from netting, this aids in tensioning the net)

#### Installation Notes:

- Lower Collars:** From bottom of pole slide the lower horizontal collar and debris ring (optional) into position. To allow proper insertion into ground sleeve, lower most collar should be 42" from end of post. Before securing collars into place verify correct orientation. (refer to diagram)
- Cleat:** Is to be installed so that it is on backside of post, opposite net. Screws will be inserted through post and cleat and secured on opposite of net side using self locking hex-nuts and cap nuts. (refer to diagram)
- Mid Collar with Pear Clip:** Note orientation of collar on post. From top of pole slide the open eyebolt collar into position (refer to diagram) and secure into place.
- Eyebolt:** Pulley system comes preassembled to eyebolt. Install washer onto eyebolt then insert eyebolt with washer through front side of hole at top of post. From opposite side secure eyebolt into place using a flatwasher and self-locking hex-nut. (refer to diagram)
- Upper Collar:** From top of pole slide the upper vertical cable collar into position (collar should rest on eyebolt washers). Before securing collars into place verify correct orientation. (refer to diagram)
- Make sure warning labels are present on goal posts.

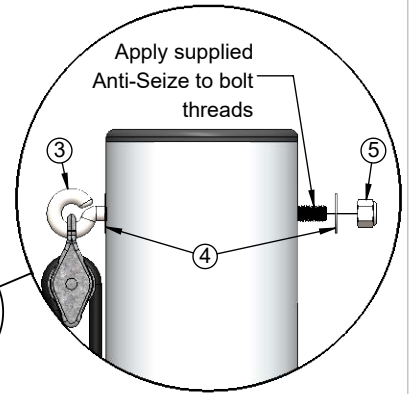


**Note: Collars are Black in color, shown in different colors to aid in identification.**

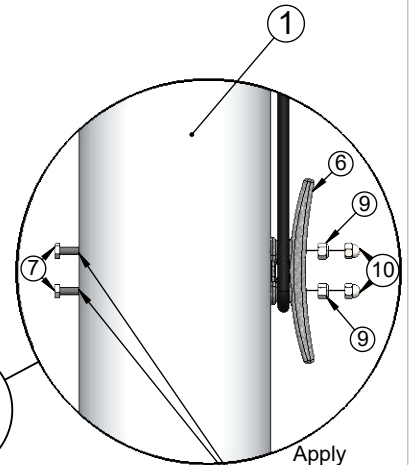


#### Front View

#### Right View



#### Eyebolt Detail



#### Cleat Detail



Anti-Seize  
(supplied by AAE)

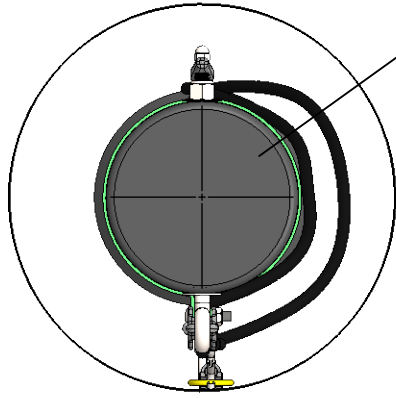
#### Note:

Post assembly should be done with post laying down on flat level surface.



**Aluminum Athletic Equipment**  
1000 Enterprise Drive, Royersford, PA 19468  
Toll Free: (800) 523-5471 Phone: (610) 825-6565  
www.aasports.com

# BBS-25/FA & /WA Assembly Instruction Inner Post

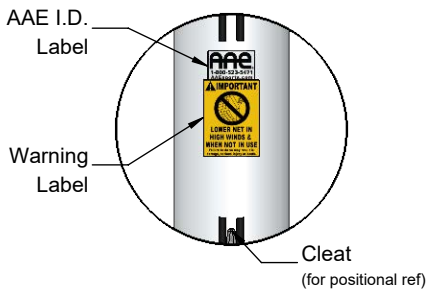


## Collar Orientation Detail

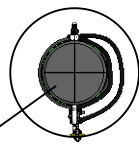
(Note: **ONLY** vertical cable collars should be turned away from netting, this aids in tensioning the net)

### Installation Notes:

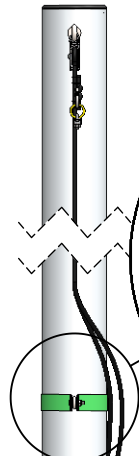
- Lower Collar(s):** From bottom of pole slide the lower horizontal collar and debris ring (optional) into position. To allow proper insertion into ground sleeve, lower most collar should be 42" + Height of Wall/Fence from end of post. Before securing collars into place verify correct orientation. (refer to diagram)
- Cleat:** Is to be installed so that it is on backside of post, opposite net. Screws will be inserted through post and cleat and secured on opposite of net side using self locking hex-nuts and cap nuts. (refer to diagram)
- Mid Collar with Pear Clip:** Note orientation of collar on post. From top of pole slide the open eyebolt collar into position (refer to diagram) and secure into place.
- Eyebolt:** Pulley system comes preassembled to eyebolt. Install washer onto eyebolt then insert eyebolt with washer through front side of hole at top of post. From opposite side secure eyebolt into place using a flatwasher and self-locking hex-nut. (refer to diagram)
- Upper Collar:** From top of pole slide the upper vertical cable collar into position (collar should rest on eyebolt washers). Before securing collars into place verify correct orientation. (refer to diagram)
- Make sure warning labels are present on goal posts.



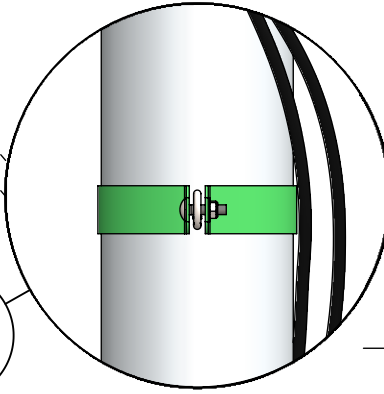
**Note: Collars are Black in color, shown in different colors to aid in identification.**



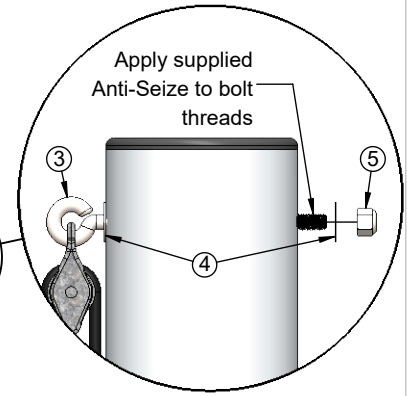
Post Cap  
pre-installed



Net Pulley  
System



## Pear Clip Collar Detail

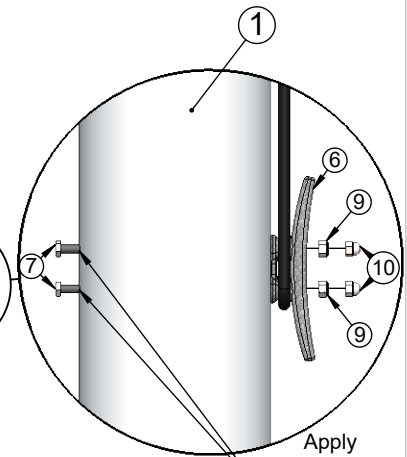
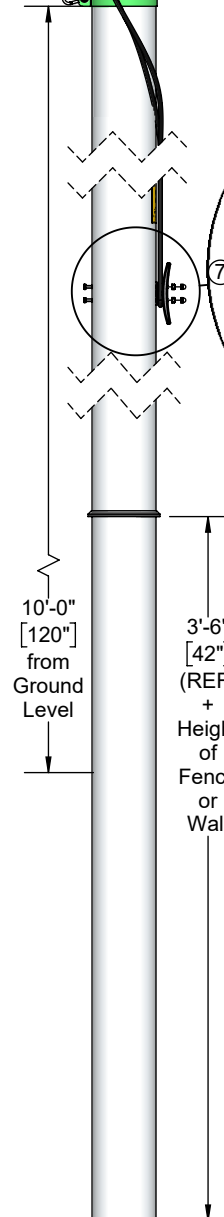


## Eyebolt Detail

Apply supplied  
Anti-Seize to bolt  
threads



Debris Ring  
(Optional)  
If not present  
Make sure  
lower collars  
are positioned  
accordingly.



## Cleat Detail

Apply  
supplied  
Anti-Seize  
to bolt  
threads



Anti-Seize  
(supplied by AAE)

### Note:

Post assembly should be done with post laying down on flat level surface.

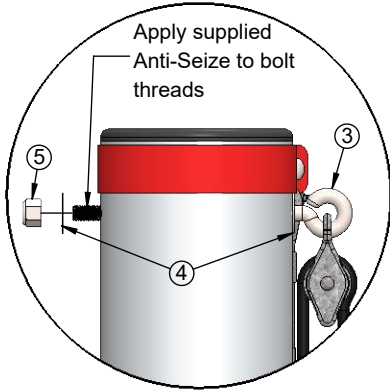


**Aluminum Athletic Equipment**  
1000 Enterprise Drive, Royersford, PA 19468  
Toll Free: (800) 523-5471 Phone: (610) 825-6565  
www.aaesports.com

# BBS-25/SA

## Assembly Instruction

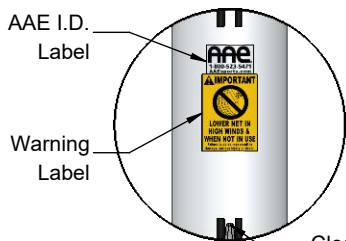
### Left Corner Post



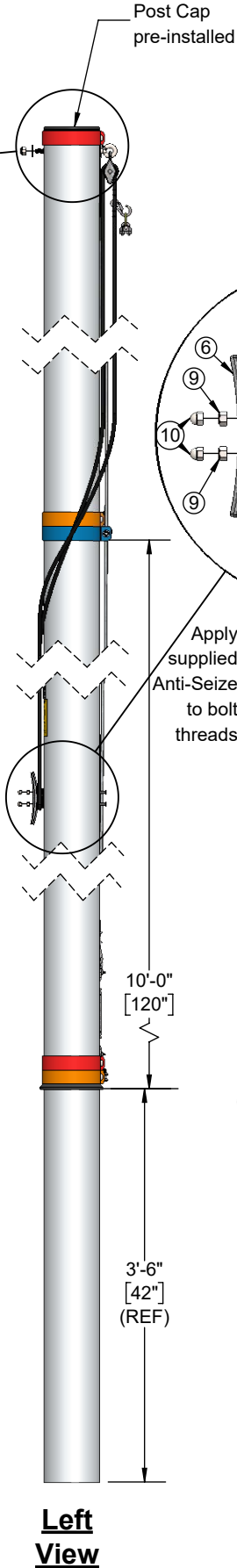
**Eyebolt Detail**

**Installation Notes:**

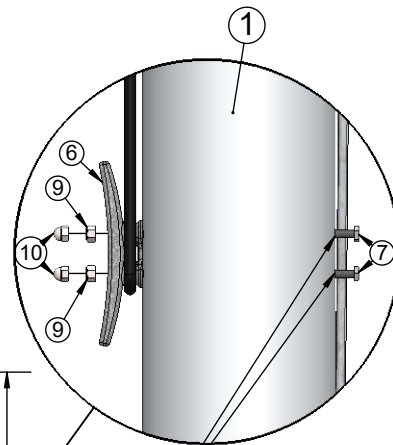
- Lower Collars:** From bottom of pole slide the lower horizontal collar and debris ring (optional) into position. To allow proper insertion into ground sleeve, lower most collar should be 42" from end of post. Before securing collars into place verify correct orientation. (refer to diagram)
- Cleat:** Is to be installed so that it is on backside of post, opposite net. Screws will be inserted through post and cleat and secured on opposite of net side using self locking hex-nuts and cap nuts. (refer to diagram)
- Mid Collar Open Eyebolt:** Note orientation of collar on post. From top of pole slide the open eyebolt collar into position (refer to diagram) and secure into place.
- Mid Collar with Shackle:** Note orientation of collar on post. From top of pole slide the open eyebolt collar into position (refer to diagram) and secure into place.
- Eyebolt:** Pulley system comes preassembled to eyebolt. Install washer onto eyebolt then insert eyebolt with washer through front side of hole at top of post. From opposite side secure eyebolt into place using a flatwasher and self-locking hex-nut. (refer to diagram)
- Upper Collar:** From top of pole slide the upper vertical cable collar into position (collar should rest on eyebolt washers). Before securing collars into place verify correct orientation. (refer to diagram)
- Make sure warning labels are present on goal posts.



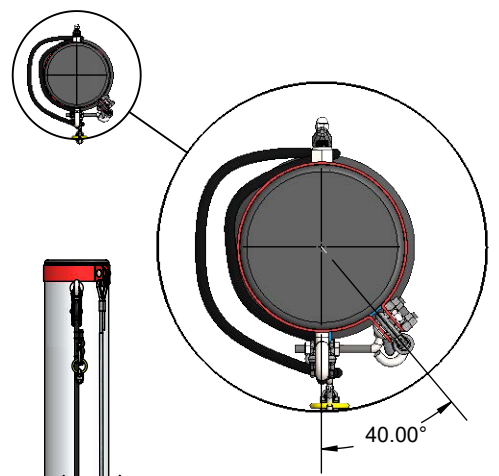
**Note: Collars are Black in color, shown in different colors to aid in identification.**



**Left View**

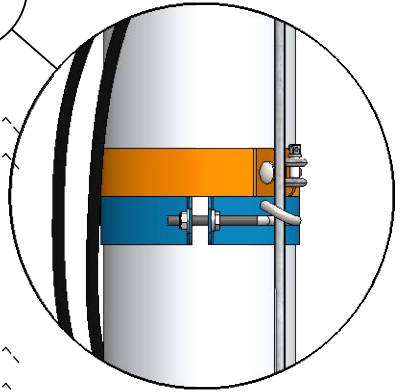


**Cleat Detail**



**Collar Orientation Detail**

(Note: ONLY vertical cable collars should be turned away from netting, this aids in tensioning the net)



**Open Eyebolt Collar Detail**

Lower Vertical Cable Collar w/ Tensioner Assembly (see collar orientation detail)

Debris Ring (Optional) If not present Make sure lower collars are positioned accordingly.



Anti-Seize (supplied by AAE)  
Lower Horizontal Cable Collar w/ Anchor Shackle for Crimped End Loop

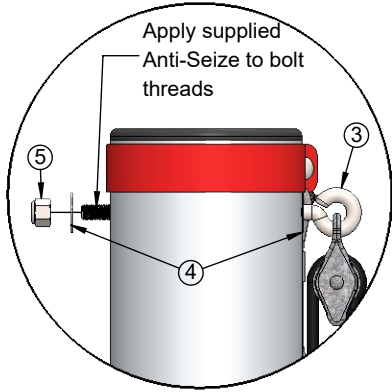
**Note:** Post assembly should be done with post laying down on flat level surface.

**Front View**



**Aluminum Athletic Equipment**  
1000 Enterprise Drive, Royersford, PA 19468  
Toll Free: (800) 523-5471 Phone: (610) 825-6565  
www.aesports.com

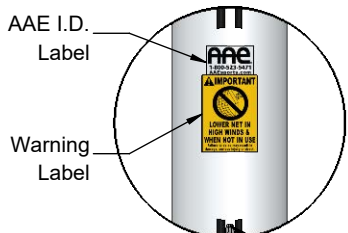
# BBS-25/FA & /WA Assembly Instruction Left Corner Post



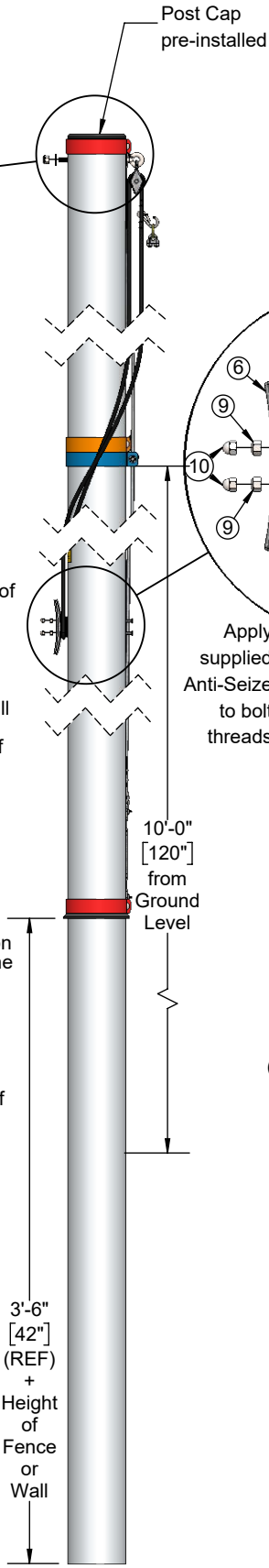
**Eyebolt Detail**

**Installation Notes:**

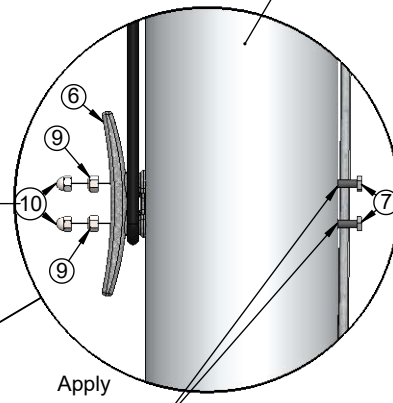
- Lower Collar(s):** From bottom of pole slide the lower horizontal collar and debris ring (optional) into position. To allow proper insertion into ground sleeve, lower most collar should be 42" + Height of Wall/Fence from end of post. Before securing collars into place verify correct orientation. (refer to diagram)
- Cleat:** Is to be installed so that it is on backside of post, opposite net. Screws will be inserted through post and cleat and secured on opposite of net side using self locking hex-nuts and cap nuts. (refer to diagram)
- Mid Collar Open Eyebolt:** Note orientation of collar on post. From top of pole slide the open eyebolt collar into position (refer to diagram) and secure into place.
- Mid Collar with Shackle:** Note orientation of collar on post. From top of pole slide the open eyebolt collar into position (refer to diagram) and secure into place.
- Eyebolt:** Pulley system comes preassembled to eyebolt. Install washer onto eyebolt then insert eyebolt with washer through front side of hole at top of post. From opposite side secure eyebolt into place using a flatwasher and self-locking hex-nut. (refer to diagram)
- Upper Collar:** From top of pole slide the upper vertical cable collar into position (collar should rest on eyebolt washers). Before securing collars into place verify correct orientation. (refer to diagram)
- Make sure warning labels are present on goal posts.



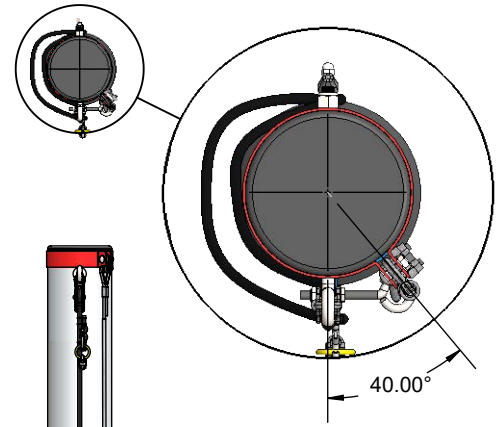
**Note: Collars are Black in color, shown in different colors to aid in identification.**



**Left View**

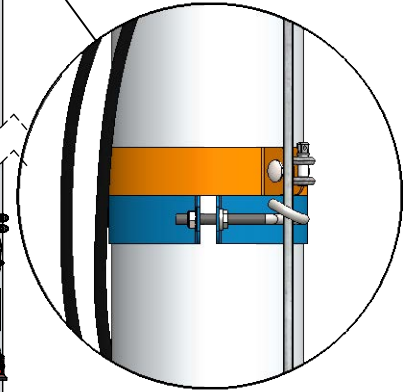


**Cleat Detail**



**Collar Orientation Detail**

(Note: **ONLY** vertical cable collars should be turned away from netting, this aids in tensioning the net)



**Open Eyebolt Collar Detail**

Lower Vertical Cable Collar w/ Tensioner Assembly (see collar orientation detail)

Debris Ring (Optional) If not present Make sure lower collars are positioned accordingly.



Anti-Seize (supplied by AAE)

**Note:** Post assembly should be done with post laying down on flat level surface.

**Front View**

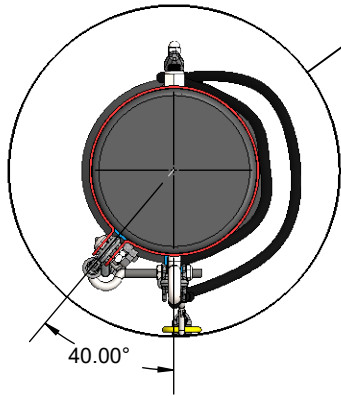


**Aluminum Athletic Equipment**  
1000 Enterprise Drive, Royersford, PA 19468  
Toll Free: (800) 523-5471 Phone: (610) 825-6565  
www.aesports.com

# BBS-25/SA

## Assembly Instruction

### Right Corner Post

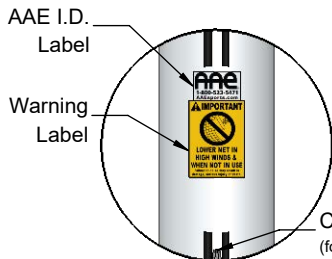


#### Collar Orientation Detail

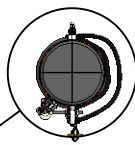
(Note: **ONLY** vertical cable collars should be turned away from netting, this aids in tensioning the net)

#### Installation Notes:

- Lower Collars:** From bottom of pole slide the lower horizontal collar and debris ring (optional) into position. To allow proper insertion into ground sleeve, lower most collar should be 42" from end of post. Before securing collars into place verify correct orientation. (refer to diagram)
- Cleat:** Is to be installed so that it is on backside of post, opposite net. Screws will be inserted through post and cleat and secured on opposite of net side using self locking hex-nuts and cap nuts. (refer to diagram)
- Mid Collar Open Eyebolt:** Note orientation of collar on post. From top of pole slide the open eyebolt collar into position (refer to diagram) and secure into place.
- Mid Collar with Shackle:** Note orientation of collar on post. From top of pole slide the open eyebolt collar into position (refer to diagram) and secure into place.
- Eyebolt:** Pulley system comes preassembled to eyebolt. Install washer onto eyebolt then insert eyebolt with washer through front side of hole at top of post. From opposite side secure eyebolt into place using a flatwasher and self-locking hex-nut. (refer to diagram)
- Upper Collar:** From top of pole slide the upper vertical cable collar into position (collar should rest on eyebolt washers). Before securing collars into place verify correct orientation. (refer to diagram)
- Make sure warning labels are present on goal posts.

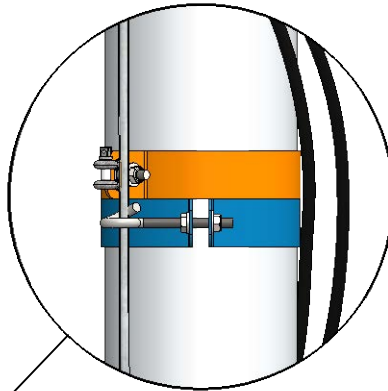


**Note:** Collars are Black in color, shown in different colors to aid in identification.



Post Cap pre-installed

Net Pulley System



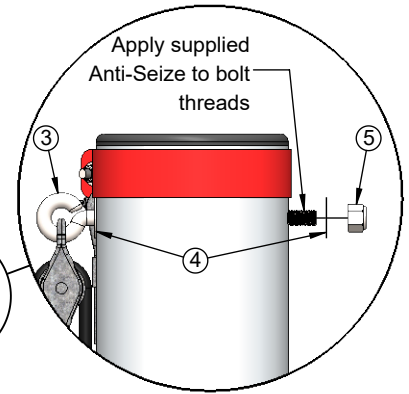
#### Open Eyebolt Collar Detail

Corner Post Vertical Cable needs to be run in front of net.

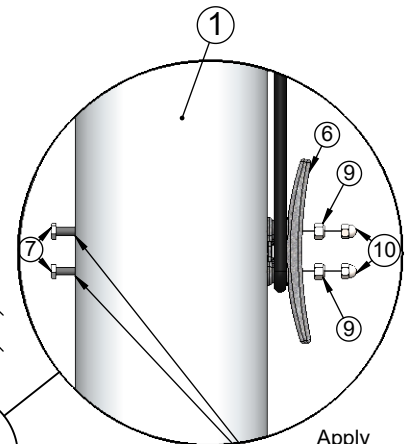
**Do Not Secure to Lower Vertical Tensioner until net has been raised and fully tensioned.**

Lower Vertical Cable Collar w/ Tensioner Assembly (see collar orientation detail)

Lower Horizontal Cable Collar w/ Shackle



#### Eyebolt Detail



#### Cleat Detail

Apply supplied Anti-Seize to bolt threads



Anti-Seize (supplied by AAE)

Debris Ring (Optional) If not present Make sure lower collars are positioned accordingly.

**Note:** Post assembly should be done with post laying down on flat level surface.

10'-0" [120"]

3'-6" [42"] (REF)

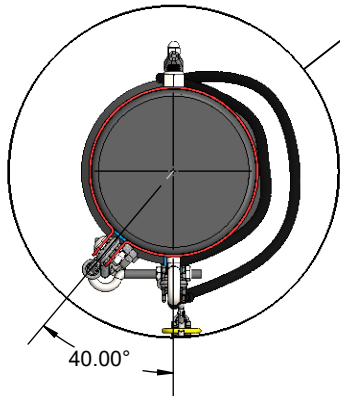
**Front View**

**Right View**





# BBS-25/FA & /WA Assembly Instruction Right Corner Post

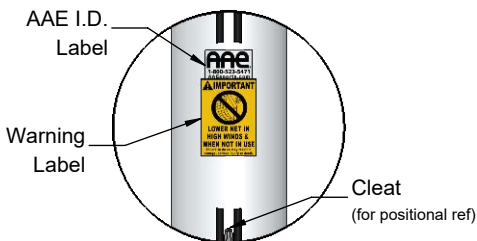


## Collar Orientation Detail

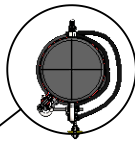
(Note: **ONLY** vertical cable collars should be turned away from netting, this aids in tensioning the net)

### Installation Notes:

- Lower Collar(s):** From bottom of pole slide the lower horizontal collar and and debris ring (optional) into position. To allow proper insertion into ground sleeve, lower most collar should be 42" + Height of Wall/Fence from end of post. Before securing collars into place verify correct orientation. (refer to diagram)
- Cleat:** Is to be installed so that it is on backside of post, opposite net. Screws will be inserted through post and cleat and secured on opposite of net side using self locking hex-nuts and cap nuts. (refer to diagram)
- Mid Collar Open Eyebolt:** Note orientation of collar on post. From top of pole slide the open eyebolt collar into position (refer to diagram) and secure into place.
- Mid Collar with Shackle:** Note orientation of collar on post. From top of pole slide the open eyebolt collar into position (refer to diagram) and secure into place.
- Eyebolt:** Pulley system comes preassembled to eyebolt. Install washer onto eyebolt then insert eyebolt with washer through front side of hole at top of post. From opposite side secure eyebolt into place using a flatwasher and self-locking hex-nut. (refer to diagram)
- Upper Collar:** From top of pole slide the upper vertical cable collar into position (collar should rest on eyebolt washers). Before securing collars into place verify correct orientation. (refer to diagram)
- Make sure warning labels are present on goal posts.

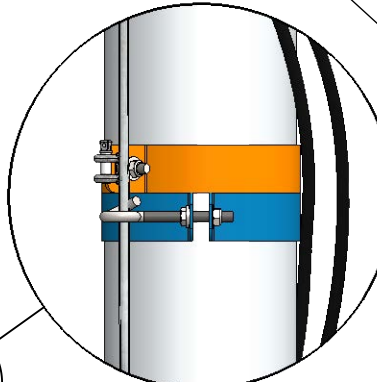


**Note: Collars are Black in color, shown in different colors to aid in identification.**



Post Cap pre-installed

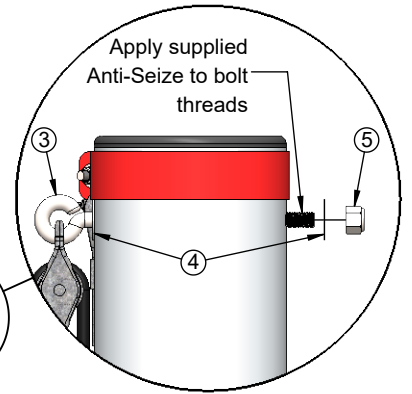
Net Pulley System



## Open Eyebolt Collar Detail

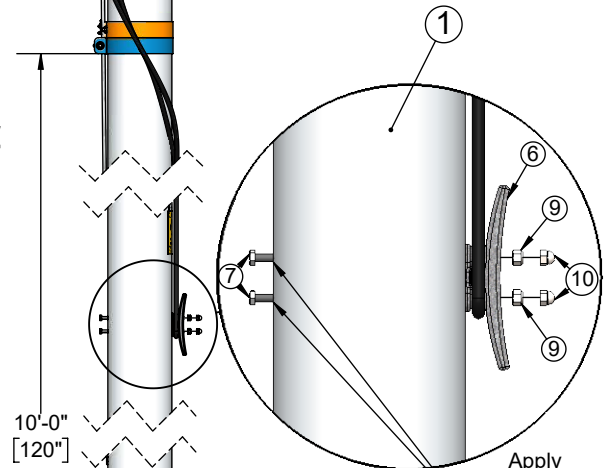
Corner Post Vertical Cable needs to be run in front of net.

**Do Not Secure to Lower Vertical Tensioner until net has been raised and fully tensioned.**



## Eyebolt Detail

Apply supplied Anti-Seize to bolt threads



## Cleat Detail

Apply supplied Anti-Seize to bolt threads



Anti-Seize (supplied by AAE)

Debris Ring (Optional)  
If not present Make sure lower collars are positioned accordingly.

### Note:

Post assembly should be done with post laying down on flat level surface.

## Front View

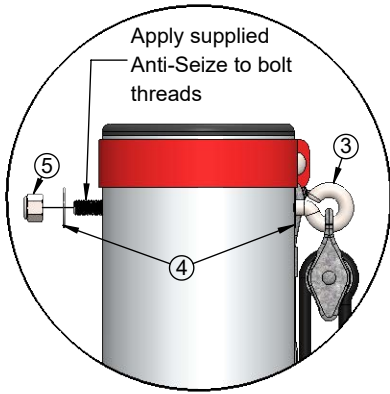
## Right View



# BBS-25/SA

## Assembly Instruction

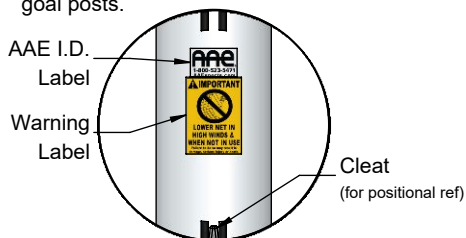
### Right End Post



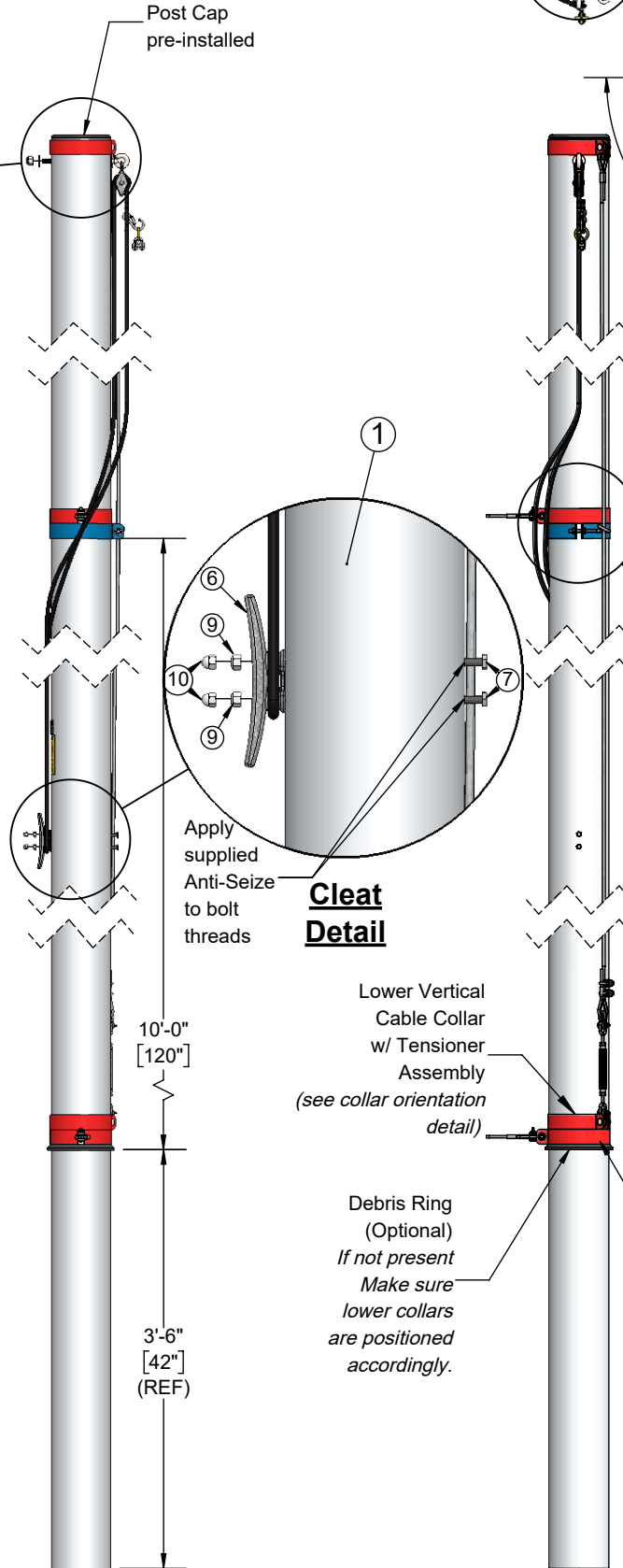
**Eyebolt Detail**

**Installation Notes:**

- Lower Collars:** From bottom of pole slide the lower vertical cable collar, lower horizontal collar and debris ring (*optional*) into position. To allow proper insertion into ground sleeve, lower most collar should be 42" from end of post. *Before securing collars into place make sure to rotate the lower vertical collar approx 40°.* (refer to diagram)
- Cleat:** Is to be installed so that it is on backside of post, opposite net. Screws will be inserted through post and cleat and secured on opposite of net side using self locking hex-nuts and cap nuts. (refer to diagram)
- Mid Collar Open Eyebolt:** Note orientation of collar on post. From top of pole slide the open eyebolt collar into position (refer to diagram) and secure into place.
- Mid Collar with Shackle:** Note orientation of collar on post. From top of pole slide the open eyebolt collar into position and, rotate approx 45° clockwise (refer to diagram) and secure into place.
- Eyebolt:** Pulley system comes preassembled to eyebolt. Install washer onto eyebolt then insert eyebolt with washer through front side of hole at top of post. From opposite side secure eyebolt into place using a flatwasher and Nylock hex-nut. (refer to diagram)
- Upper Collar:** From top of pole slide the upper vertical cable collar into position (collar should rest on eyebolt washers). Before securing into place make sure to rotate the collar approx 40°. (refer to diagram)
- Make sure warning labels are present on goal posts.

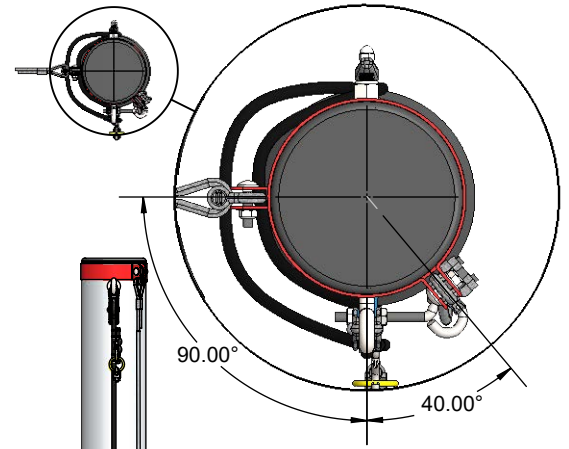


**Note: Collars are Black in color, shown in different colors to aid in identification.**



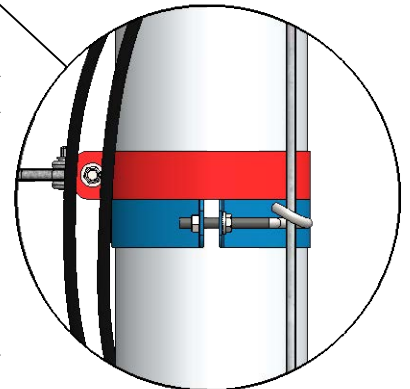
**Left View**

**Front View**



**Collar Orientation Detail**

(Note: **ONLY** vertical cable collars should be turned away from netting, this aids in tensioning the net)



**Open Eyebolt Collar Detail**



Anti-Seize (supplied by AAE)

Lower Horizontal Cable Collar w/ Anchor Shackle for Crimped End Loop

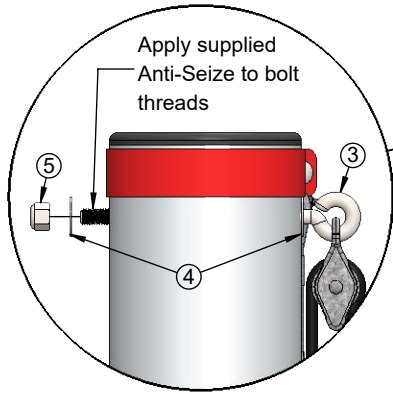
**Note:**

Post assembly should be done with post laying down on flat level surface.



**Aluminum Athletic Equipment**  
1000 Enterprise Drive, Royersford, PA 19468  
Toll Free: (800) 523-5471 Phone: (610) 825-6565  
www.aaesports.com

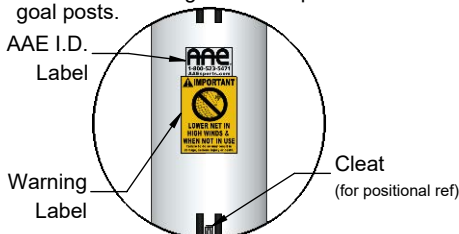
# BBS-25/FA & /WA Assembly Instruction Right End Post



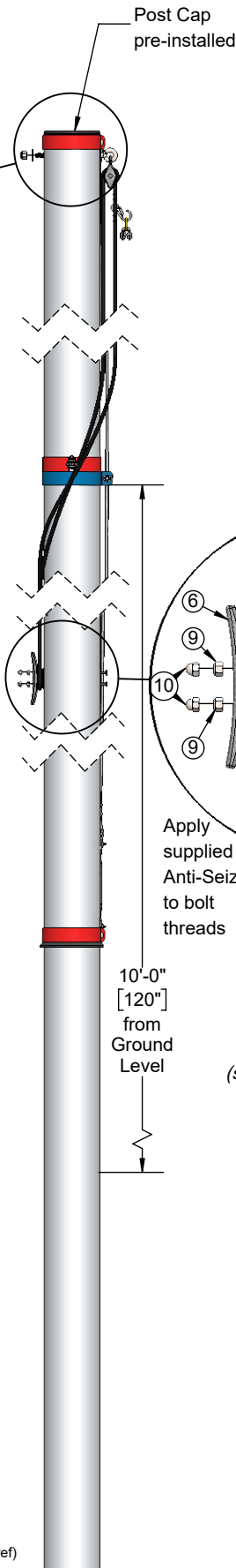
**Eyebolt Detail**

**Installation Notes:**

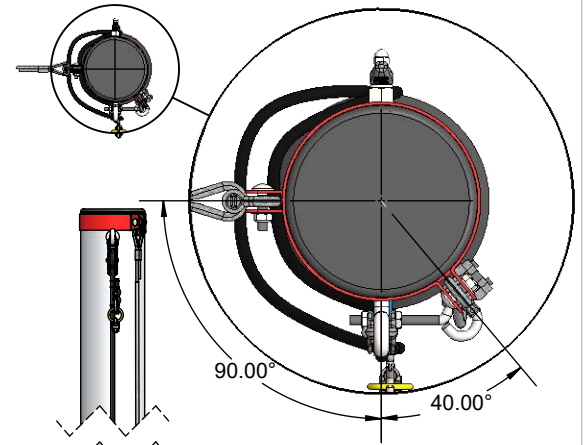
- Lower Collar(s):** From bottom of pole slide the lower vertical cable collar, lower horizontal collar and debris ring (optional) into position. To allow proper insertion into ground sleeve, lower most collar should be 42" + Height of Wall/Fence from end of post. Before securing collars into place make sure to rotate the lower vertical collar approx 40°. (refer to diagram)
- Cleat:** Is to be installed so that it is on backside of post, opposite net. Screws will be inserted through post and cleat and secured on opposite of net side using self locking hex-nuts and cap nuts. (refer to diagram)
- Mid Collar Open Eyebolt:** Note orientation of collar on post. From top of pole slide the open eyebolt collar into position (refer to diagram) and secure into place.
- Mid Collar with Shackle:** Note orientation of collar on post. From top of pole slide the open eyebolt collar into position and , rotate approx 45° clockwise (refer to diagram) and secure into place.
- Eyebolt:** Pulley system comes preassembled to eyebolt. Install washer onto eyebolt then insert eyebolt with washer through front side of hole at top of post. From opposite side secure eyebolt into place using a flatwasher and Nylock hex-nut. (refer to diagram)
- Upper Collar:** From top of pole slide the upper vertical cable collar into position (collar should rest on eyebolt washers). Before securing into place make sure to rotate the collar approx 40°. (refer to diagram)
- Make sure warning labels are present on goal posts.



**Note: Collars are Black in color, shown in different colors to aid in identification.**

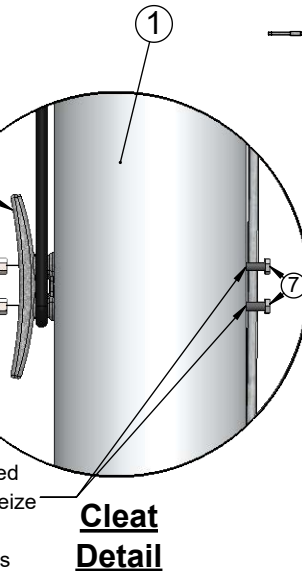


**Left View**

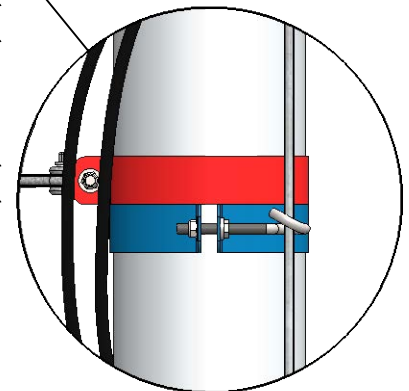


**Collar Orientation Detail**

(Note: **ONLY** vertical cable collars should be turned away from netting, this aids in tensioning the net)



**Cleat Detail**



**Open Eyebolt Collar Detail**



Anti-Seize (supplied by AAE)

Lower Vertical Cable Collar w/ Tensioner Assembly (see collar orientation detail)

Debris Ring (Optional) If not present Make sure lower collars are positioned accordingly.

3'-6" [42"] + Height of Fence or Wall

**Note:** Post assembly should be done with post laying down on flat level surface.

**Front View**

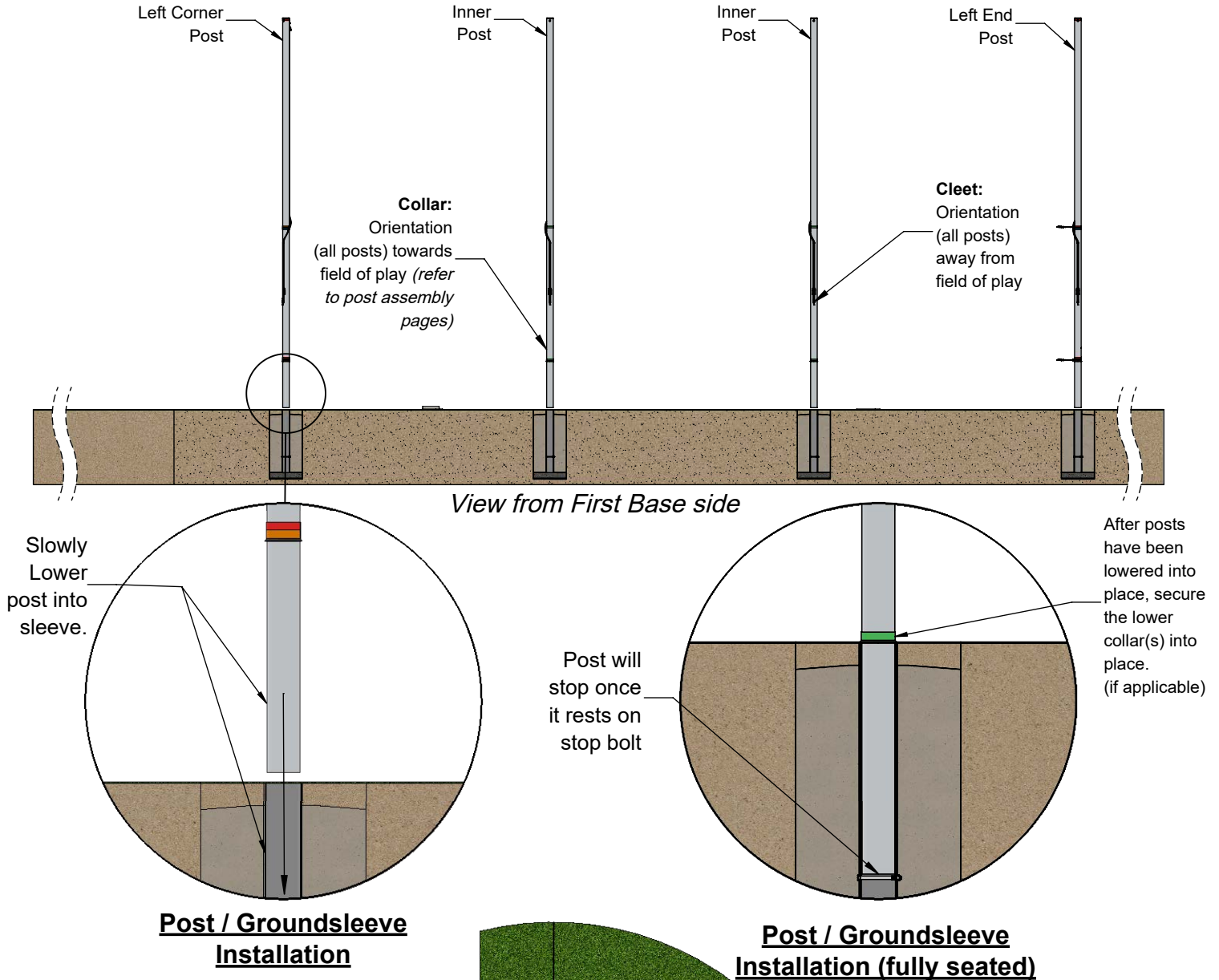


**Aluminum Athletic Equipment**  
1000 Enterprise Drive, Royersford, PA 19468  
Toll Free: (800) 523-5471 Phone: (610) 825-6565  
www.aesports.com

# BBS-25/SA , /FA & /WA Assembly Instruction Posts to Groundsleeve

*Note: Collars are Black in color, shown in different colors to aid in identification.*

*Note: number of inner posts may vary from what is shown.*

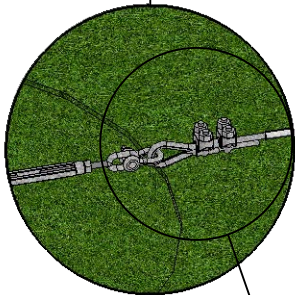
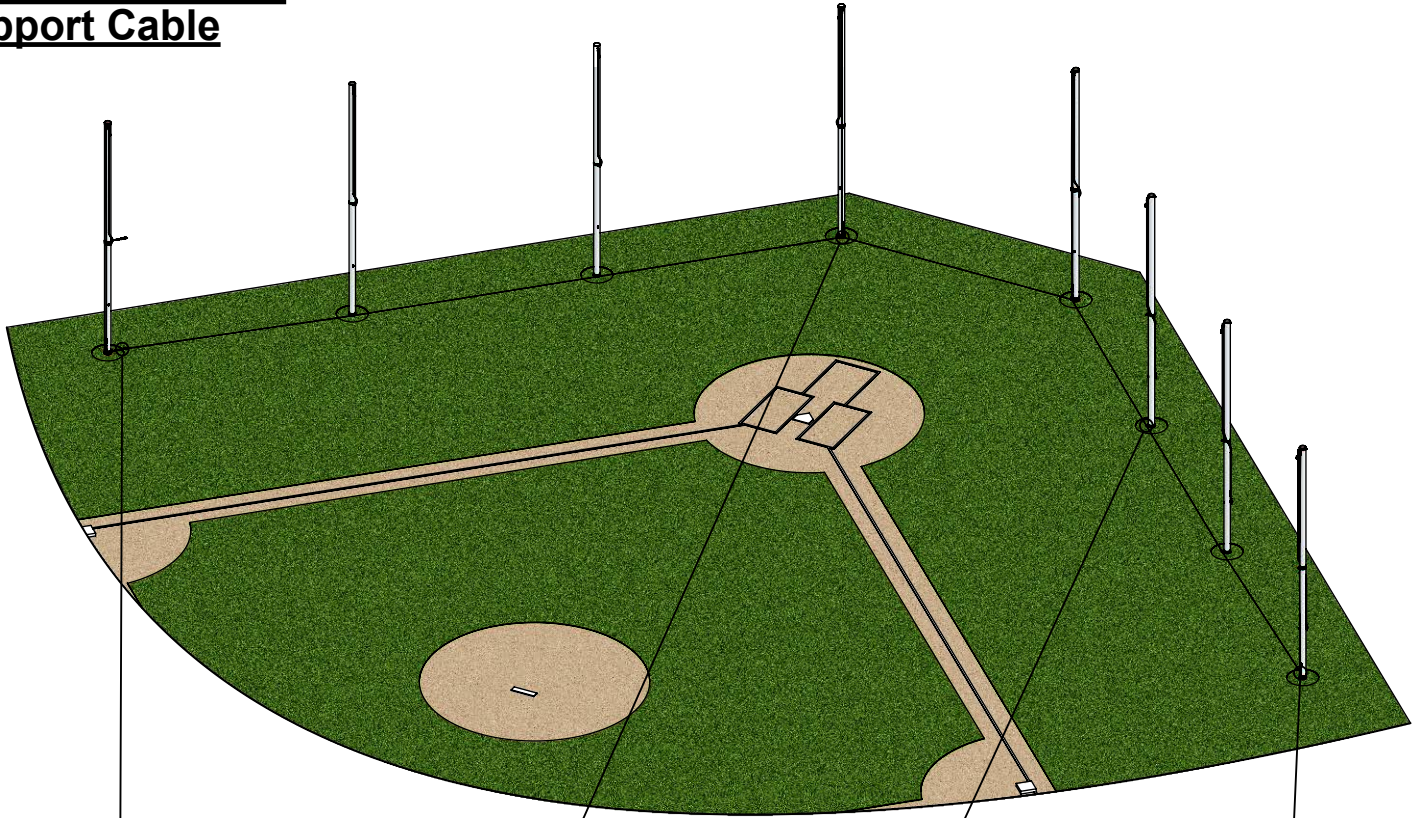


**Installation Notes:**

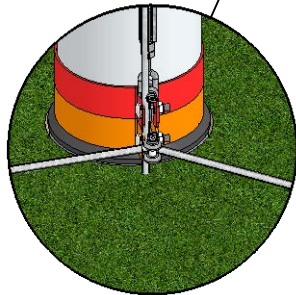
1. View above is from net side of post (*field of play*).
2. **Caution**, slowly lower posts into sleeves. Dropping post into sleeve may result in damage to the stop bolt.
3. Make sure all posts are orientated correctly. Pulley system towards field of play and cleet away from field of play. All lower horizontal cable collars should face field of play.
4. Once posts are correctly orientated, make sure the lower collars are properly orientated and secure them into place.

# **BBS-25/SA** **Assembly Instruction** **Lower Horizontal** **Support Cable**

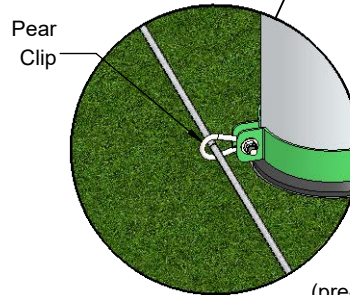
*Note: Collars are Black in color, shown in different colors to aid in identification.*



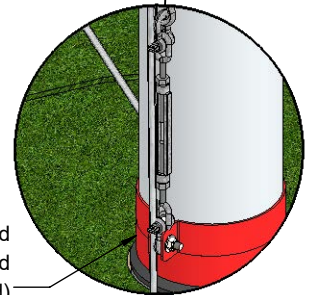
**Left End Post Assembly**



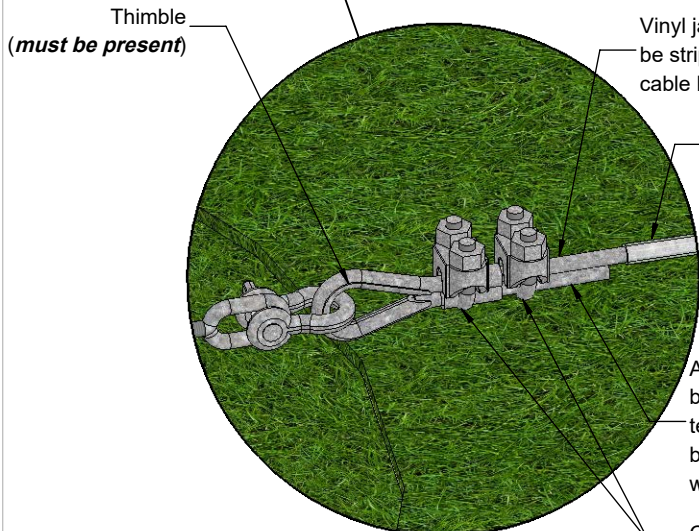
**Corner Post Assembly**



**Inner Post Assembly**



**Right End Post Assembly**



**Clamped Loop End Detail**

**Installation Notes:**

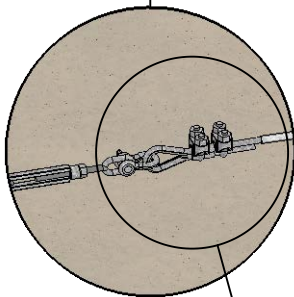
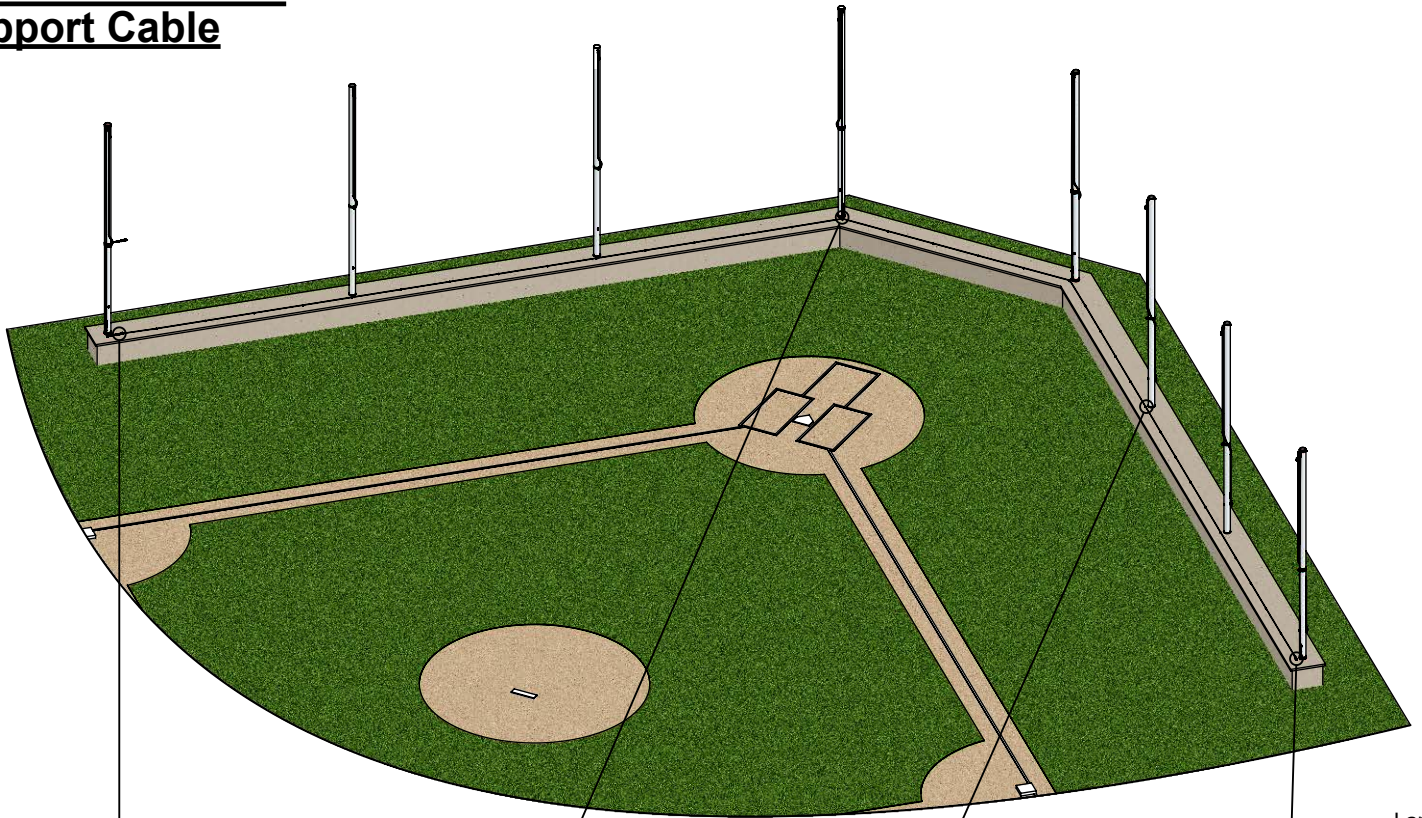
1. Refer to collar assembly diagram for further detail on collar and cable assembly.
2. Install Crimped Cable End to Right End Post collar using an anchor shackle.
3. Route cable to Left End Post. Snap cable into Pear Clips of the Inner Posts along the way and route inside of shackle on Corner Posts.
4. Before assembling Clamped Cable Loop End, fully open the turnbuckle.
5. With anchor shackle and thimble in place run cable through the shackle as shown. Pull slack out of cable and mark vinyl sleeve approximately 4" from thimble end. Strip vinyl from mark location towards cable loop end.
6. With the slack still being pulled out of cable install and secure the cable clamps. The first clamp should butt up to the thimble, the second should be spaced approx. 1" on center from the first. Cable clamps must be gripping bare cable to ensure proper seating/grip.

After cable has been fully tensioned trim back cut end and wrap with tape  
Cable Clamp Loop must be on cut end of cable

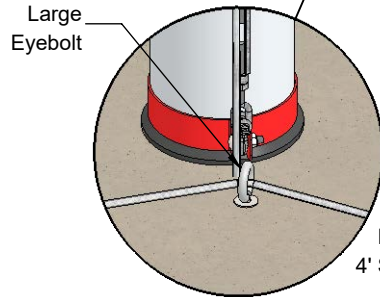


# **BBS-25/WA** **Assembly Instruction** **Lower Horizontal** **Support Cable**

*Note: Collars are Black in color, shown in different colors to aid in identification.*

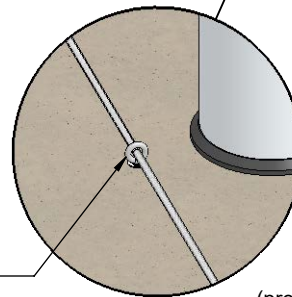


**Left End Post Assembly**

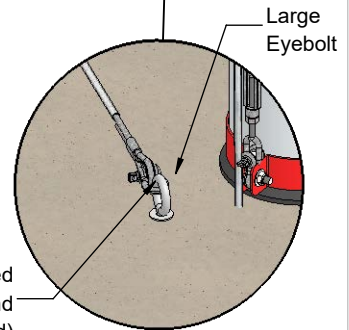


**Corner Post Assembly**

Small Eyebolt, 4' Spacing entire length of cable

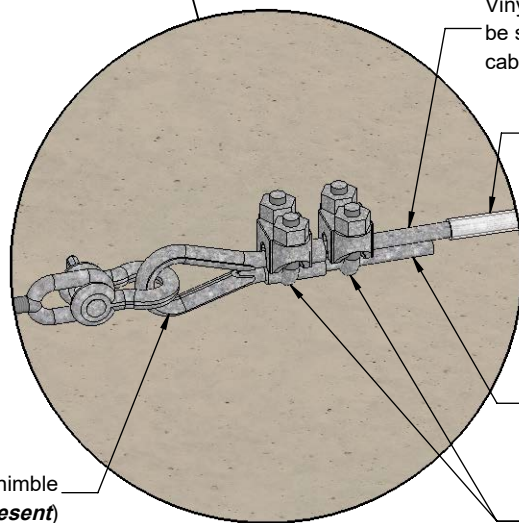


**Inner Post Assembly**



**Right End Post Assembly**

Crimped Cable End (pre-assembled)



**Clamped Loop End Detail**

Thimble (must be present)

Vinyl jacket must be stripped from cable loop end

Support Cable vinyl jacket

After cable has been fully tensioned trim back cut end and wrap with tape

Cable Clamp Loop must be on cut end of cable

**Installation Notes:**

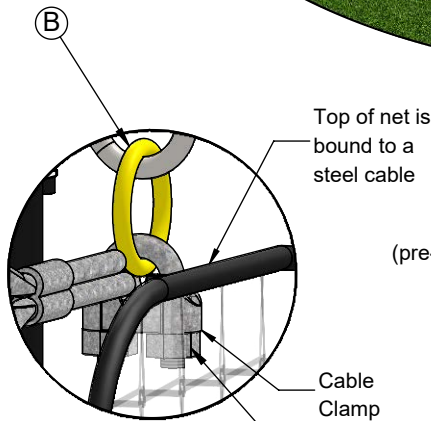
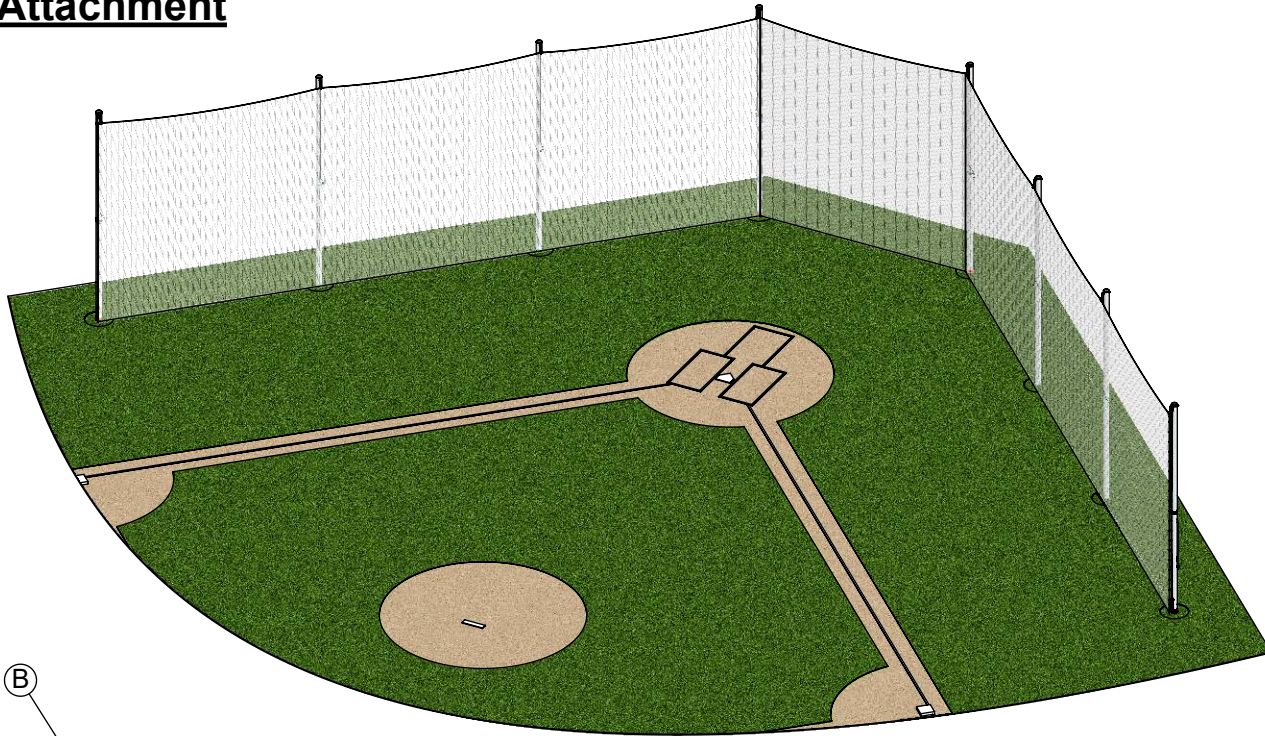
1. Refer to collar assembly diagram for further detail on collar and cable assembly.
2. Install Crimped Cable End to Right End Post Large Eyebolt using an anchor shackle.
3. Route cable to Left End Post. Make sure to route cable thru Small & Large Eyebolts installed to top of wall.
4. Before assembling Clamped Cable Loop End, fully open the turnbuckle.
5. With anchor shackle and thimble in place run cable thru the shackle as shown. Pull slack out of cable and mark vinyl sleeve approximately 4" from thimble end. Strip vinyl from mark location towards cable loop end.
6. With the slack still being pulled out of cable install and secure the cable clamps. The first clamp should butt up to the thimble, the second should be spaced approx. 1" on center from the first. Cable clamps must be gripping bare cable to ensure proper seating/grip.



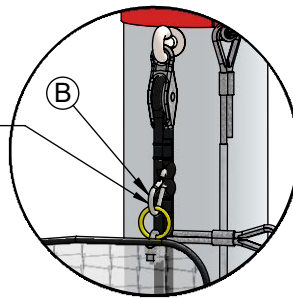
**Aluminum Athletic Equipment**  
1000 Enterprise Drive, Royersford, PA 19468  
Toll Free: (800) 523-5471 Phone: (610) 825-6565  
www.aesports.com

# BBS-25/SA Assembly Instruction Net Attachment

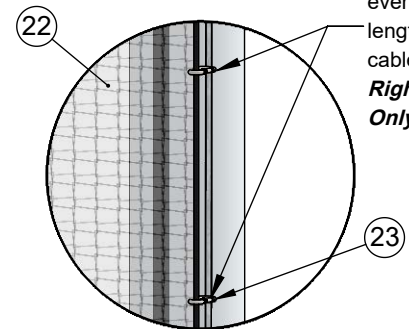
*Note: Collars are Black in color, shown in different colors to aid in identification.*



**Brass Ring**  
**Detail A**



**Hoist System**  
**Detail B**



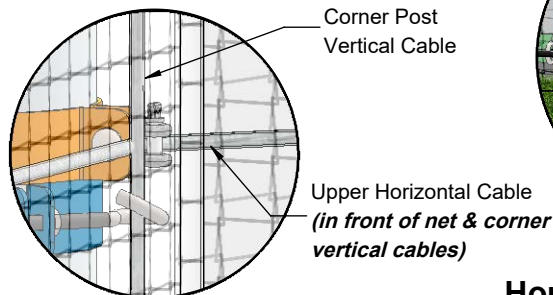
**Net to End Post**  
**Vertical Support Cable**  
**Detail C**

Pear Clips Spaced approx. every 12", entire length of vertical cable (**Left and Right End Posts Only**)

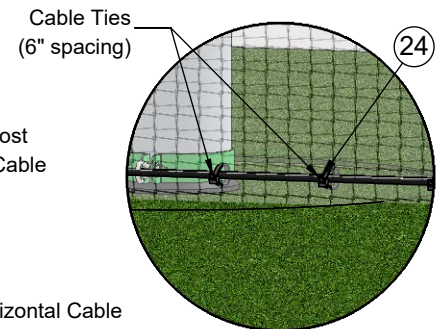
**Installation Notes:**

1. Lay net on ground across span of posts. *Make sure net is centered across span of posts.*
2. Using a Pear Clip Secure upper net corners to End Post Vertical Support Cables (*as shown in Detail C*)
3. Secure Brass Rings to top of net using Cable Clamp (*as shown in Detail A*). One ring and clamp per post and they should be centered as close as possible to its coinciding post.
4. After Brass Rings have been secured to net, clip ring into it's posts hoist system Pear Clip (*as shown in Detail B*).
5. As net is being raised make sure to secure net sides to the end post vertical support cables using provided **Pear Clips** (*refer to Detail C*). Pear Clips should be spaced approx. 12" or 9 net squares.
6. Once net has been completed raised tie hoist ropes onto cleat. Connect and tension the clamped loop ends of the **Corner Post Vertical Cables**.
7. Next install the **Upper Horizontal Cable**. Process for installation is the same as the Lower Horizontal cable. Difference being to make sure to run cable so that the net and corner post vertical support cables are between it and the posts, (*refer to Detail D*).
8. Lastly using provided **Cable Ties** spaced 6" apart, secure bottom of net to lower horizontal cable, (*refer to Detail E*).

**Note: Hardware denoted "B" is included in item #3 "Hoist Rope"**



**Upper Horizontal & Corner**  
**Vertical Support Cables**  
**Detail D**  
**(Left Corner Post config shown)**

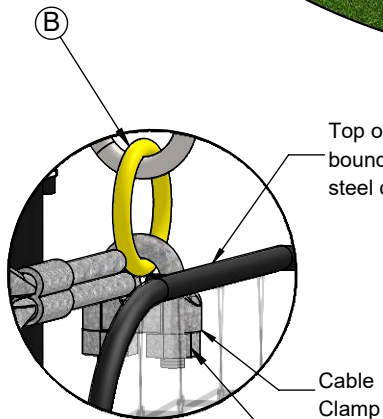
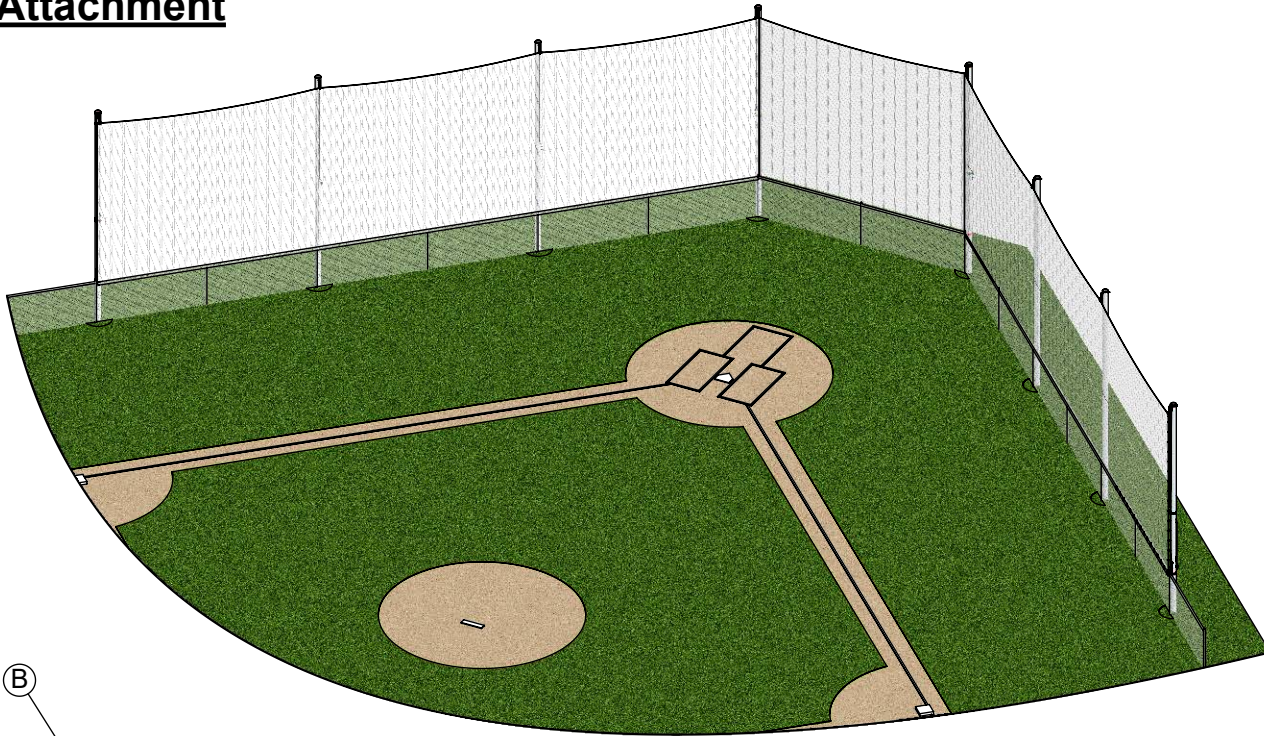


**Net to Lower**  
**Horizontal Support Cable**  
**Detail E**

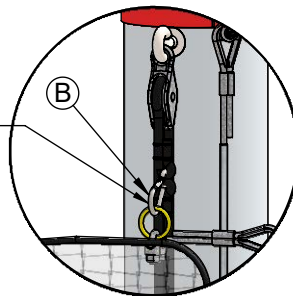


# BBS-25 Assembly Instruction Net Attachment

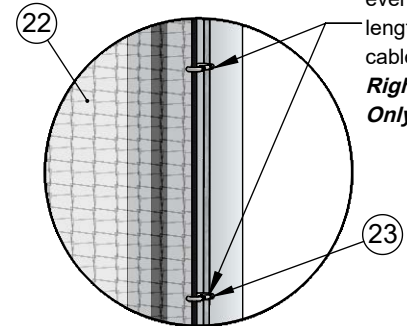
Note: Collars are Black in color, shown in different colors to aid in identification.



**Brass Ring  
Detail A**



**Hoist System  
Detail B**



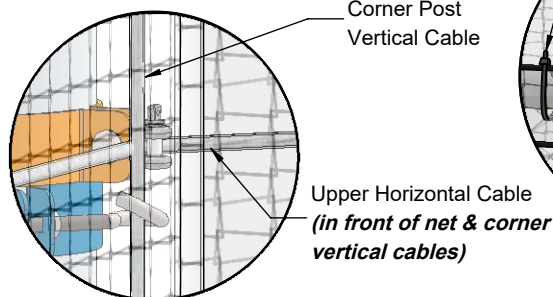
**Net to End Post  
Vertical Support Cable  
Detail C**

Pear Clips Spaced approx. every 12", entire length of vertical cable (**Left and Right End Posts Only**)

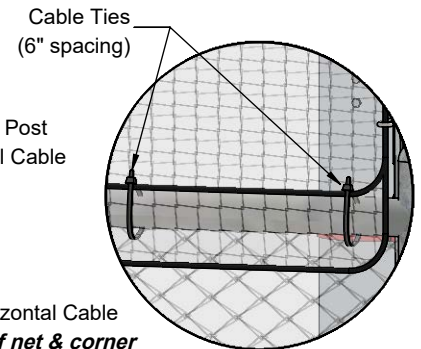
**Installation Notes:**

1. Lay net on ground across span of posts. *Make sure net is centered across span of posts.*
2. Using a Pear Clip Secure upper net corners to End Post Vertical Support Cables (*as shown in Detail C*)
3. Secure Brass Rings to top of net using Cable Clamp (*as shown in Detail A*). One ring and clamp per post and they should be centered as close as possible to its coinciding post.
4. After Brass Rings have been secured to net, clip ring into it's posts hoist system Pear Clip (*as shown in Detail B*).
5. As net is being raised make sure to secure net sides to the end post vertical support cables using provided **Pear Clips** (*refer to Detail C*). Pear Clips should be spaced approx. 12" or 9 net squares.
6. Once net has been completed raised tie hoist ropes onto cleat. Connect and tension the clamped loop ends of the **Corner Post Vertical Cables**.
7. Next install the **Upper Horizontal Cable**. Process for installation is the same as the Lower Horizontal cable. Difference being to make sure to run cable so that the net and corner post vertical support cables are between it and the posts, (*refer to Detail D*).
8. Lastly using provided **Cable Ties** spaced 6" apart, secure net offset border to fence rail, (*refer to Detail E*).

Note: Hardware denoted "B" is included in item #3 "Hoist Rope"



**Upper Horizontal & Corner  
Vertical Support Cables  
Detail D  
(Left Corner Post config shown)**



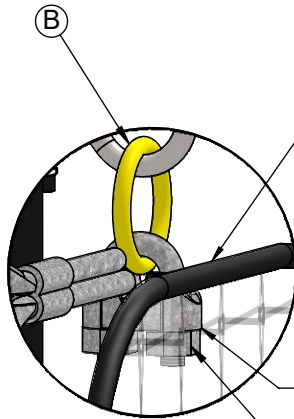
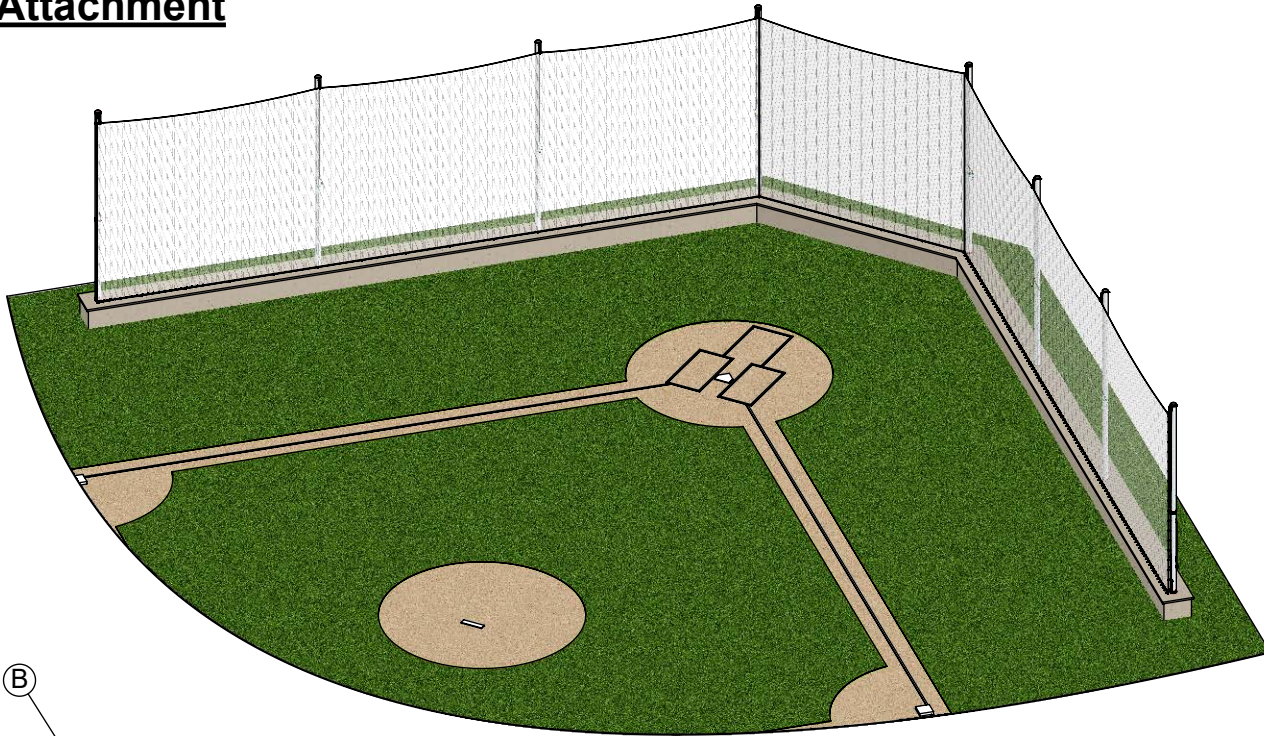
**Net to Lower  
Horizontal Support Cable  
Detail E**





# BBS-25/WA Assembly Instruction Net Attachment

*Note: Collars are Black in color, shown in different colors to aid in identification.*

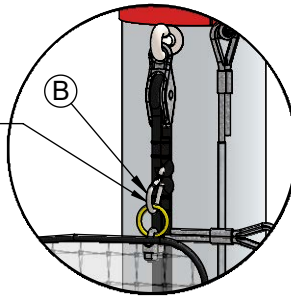


**Brass Ring  
Detail A**

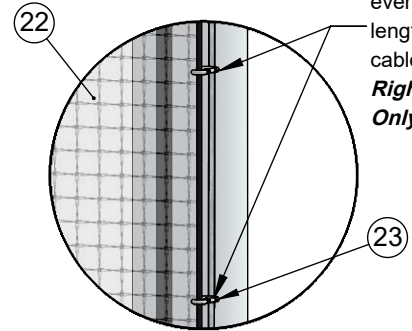
Top of net is bound to a steel cable

Pear Clip (pre-installed)

Cable Clamp



**Hoist System  
Detail B**



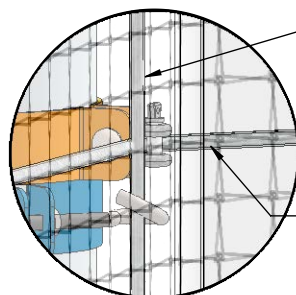
**Net to End Post  
Vertical Support Cable  
Detail C**

Pear Clips Spaced approx. every 12", entire length of vertical cable (*Left and Right End Posts Only*)

**Installation Notes:**

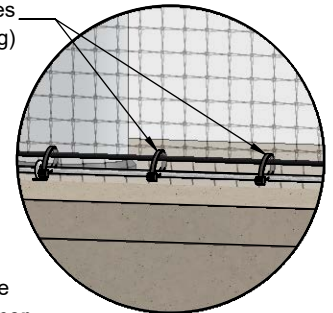
1. Lay net on ground across span of posts. *Make sure net is centered across span of posts.*
2. Using a Pear Clip Secure upper net corners to End Post Vertical Support Cables (*as shown in Detail C*)
3. Secure Brass Rings to top of net using Cable Clamp (*as shown in Detail A*). One ring and clamp per post and they should be centered as close as possible to its coinciding post.
4. After Brass Rings have been secured to net, clip ring into it's posts hoist system Pear Clip (*as shown in Detail B*).
5. As net is being raised make sure to secure net sides to the end post vertical support cables using provided **Pear Clips** (*refer to Detail C*). Pear Clips should be spaced approx. 12" or 9 net squares.
6. Once net has been completed raised tie hoist ropes onto cleat. Connect and tension the clamped loop ends of the **Corner Post Vertical Cables**.
7. Next install the **Upper Horizontal Cable**. Process for installation is the same as the Lower Horizontal cable. Difference being to make sure to run cable so that the net and corner post vertical support cables are between it and the posts, (*refer to Detail D*).
8. Lastly using provided **Cable Ties** spaced 6" apart, secure bottom of net to lower horizontal cable, (*refer to Detail E*).

**Note: Hardware denoted "B" is included in item #3 "Hoist Rope"**



**Upper Horizontal & Corner  
Vertical Support Cables  
Detail D**  
(Left Corner Post config shown)

Cable Ties (6" spacing)



**Net to Lower  
Horizontal Support Cable  
Detail E**

