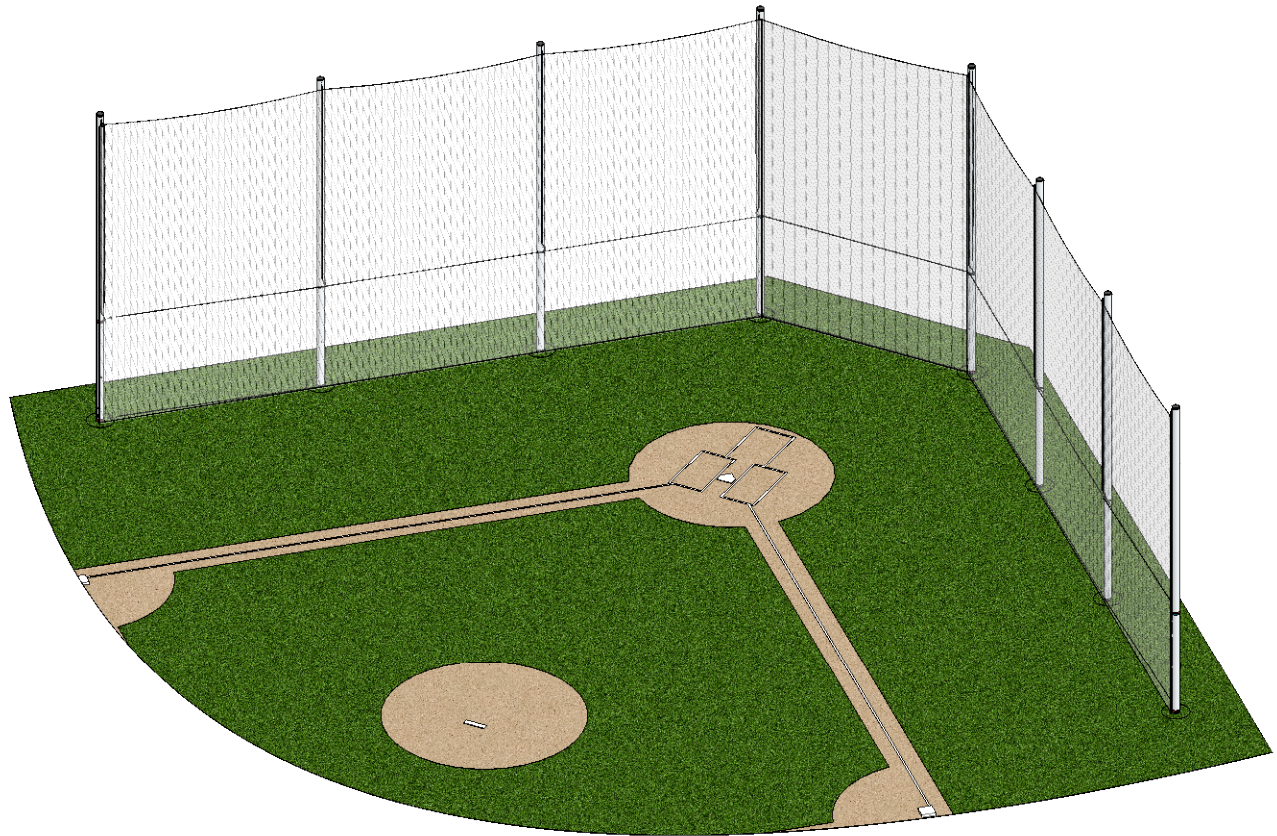


BBS-30
30' High Baseball BackStopper System
Specification



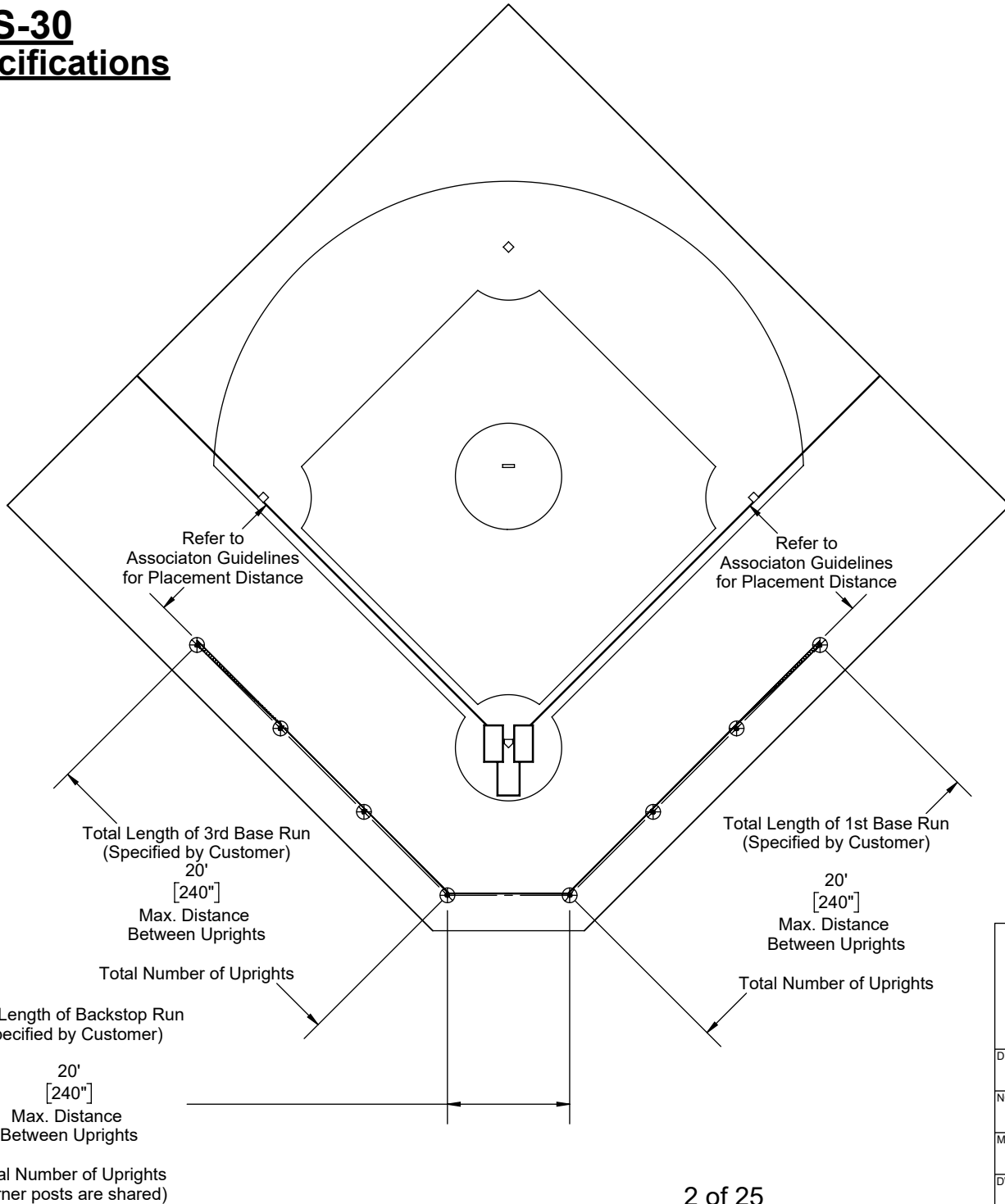
BBS-30 Specifications

D

C

B

A



Notes:

1. Total number of Uprights per run, is determined by dividing the runs length evenly. with the resulting sections not exceeding 20' on center.
2. **Diagram shown is for reference only, actual system layout (number and placements of uprights) may differ from what is shown**



Aluminum Athletic Equipment
1000 Enterprise Drive, Royersford, PA 19468
Toll Free: (800) 523-5471 Phone: (610) 825-6565
www.aaesports.com

DESCRIPTION: Concrete Footing Placement Specification		
NOTE: 30' HIGH BASEBALL BACKSTOPPER SYSTEM		
MODEL: BBS-30	CATEGORY: CUSTOMER	DATE: 3/28/2023
DWN. BY: NR	CAD FILE: BBS-30 Specifications	DWG. NO. BBS-30-C-002

6

5

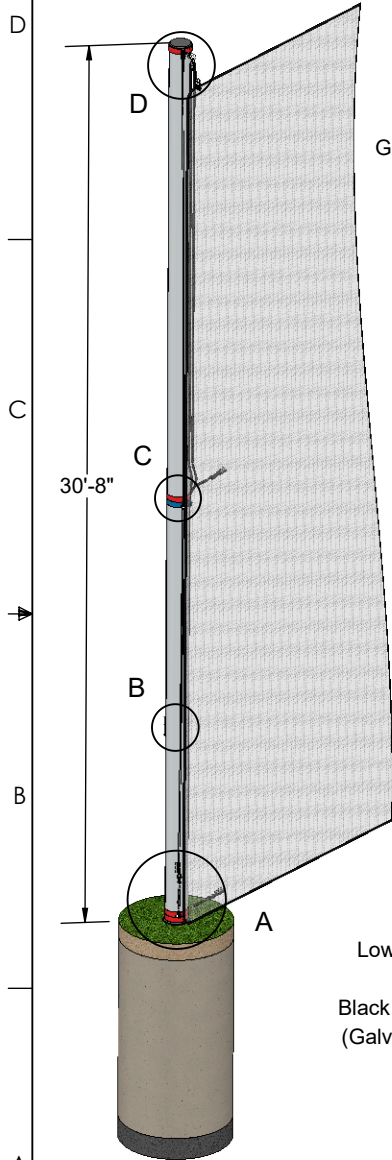
4

3

2

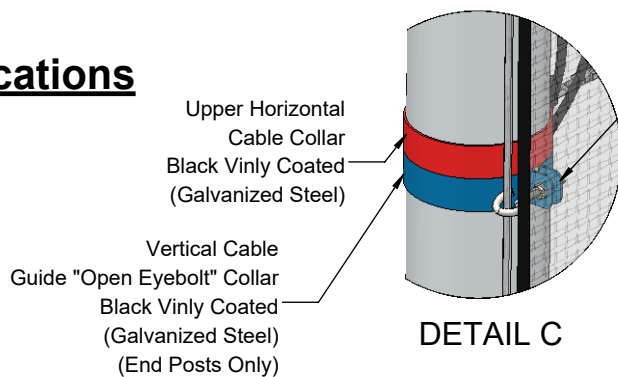
1

BBS-30 Upright Specifications

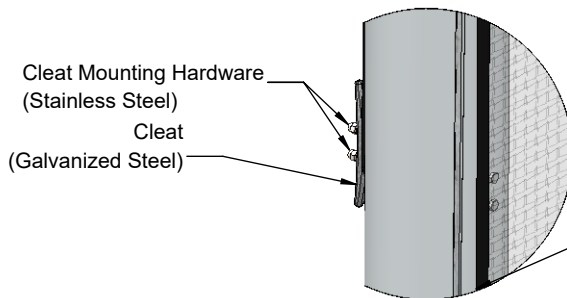


Left End Post
(hardware configuration dependent on post location)

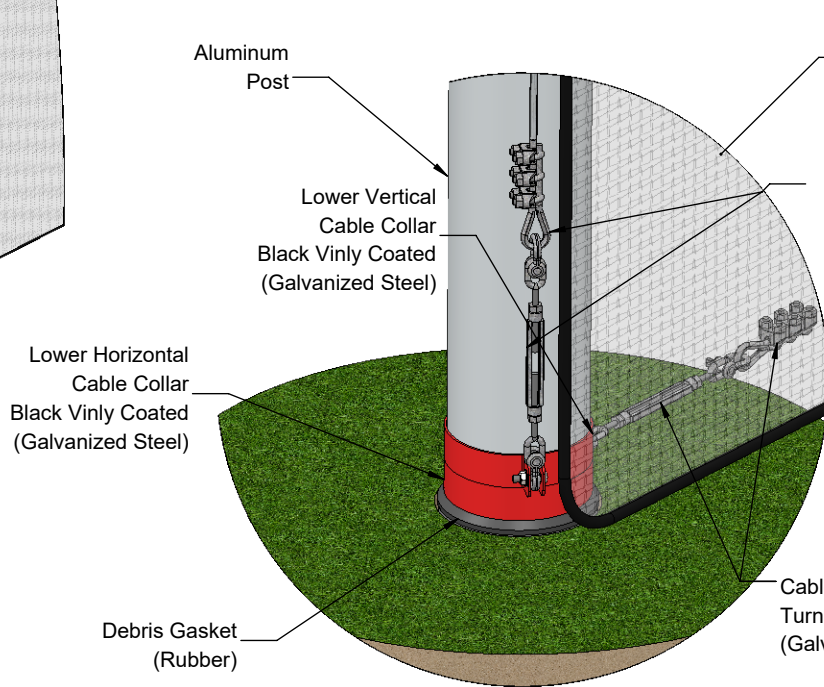
Note: Collars are Black in color, shown in different colors to aid in identification.



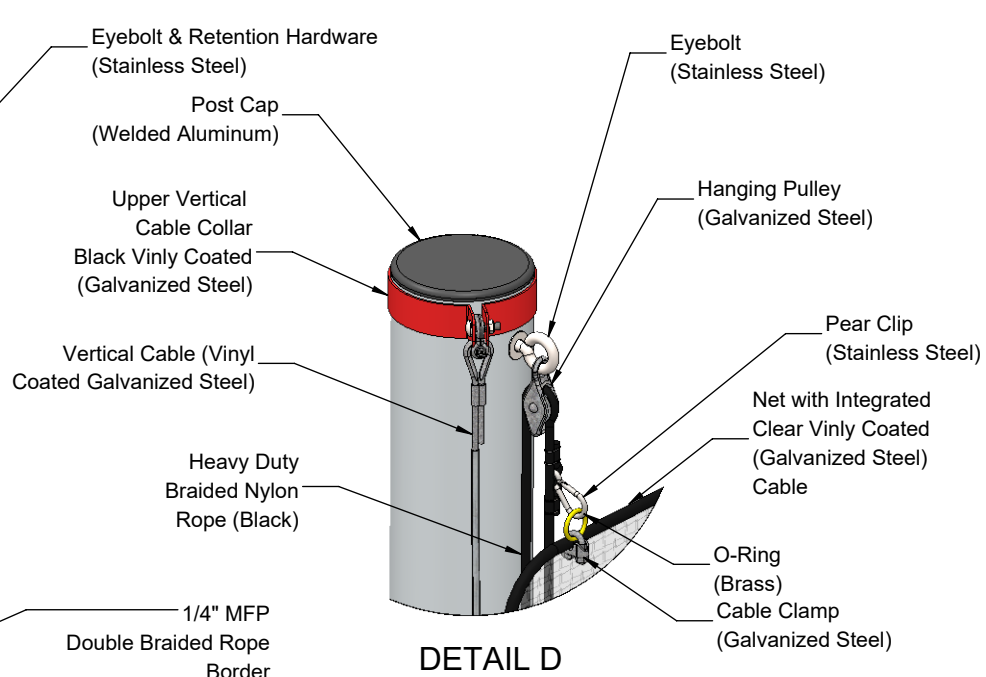
DETAIL C



DETAIL B



DETAIL A



DETAIL D

BBS-30 Specifications

Post (Aluminum):

- $\varnothing 8''$ x .188" wall aluminum tube (Mill Aluminum 6061-T6)
- 35'-2" Overall Length (30'-8" out of ground sleeve)
- Weight = 190lbs./ea.
- All Hardware is RUSTPROOF

Netting:

- Net: #AAE N361-#36, 1-3/4" sq. knotted Nylon, DBB, length to vary, 1/4" MFP Rope Border, UV protected and 1/4" cable hog tied to top of net



Aluminum Athletic Equipment
1000 Enterprise Drive, Royersford, PA 19468
Toll Free: (800) 523-5471 Phone: (610) 825-6565
www.aaesports.com

DESCRIPTION			Upright Specification		
NOTE:			Upright Assembly Specification		
MODEL:	BBS-30	CATEGORY:	CUSTOMER	DATE:	3/28/2023
DRAWN BY:	NR	CAD FILE:	BBS-30 Specifications	DWG. NO.:	BBS-30-C-003

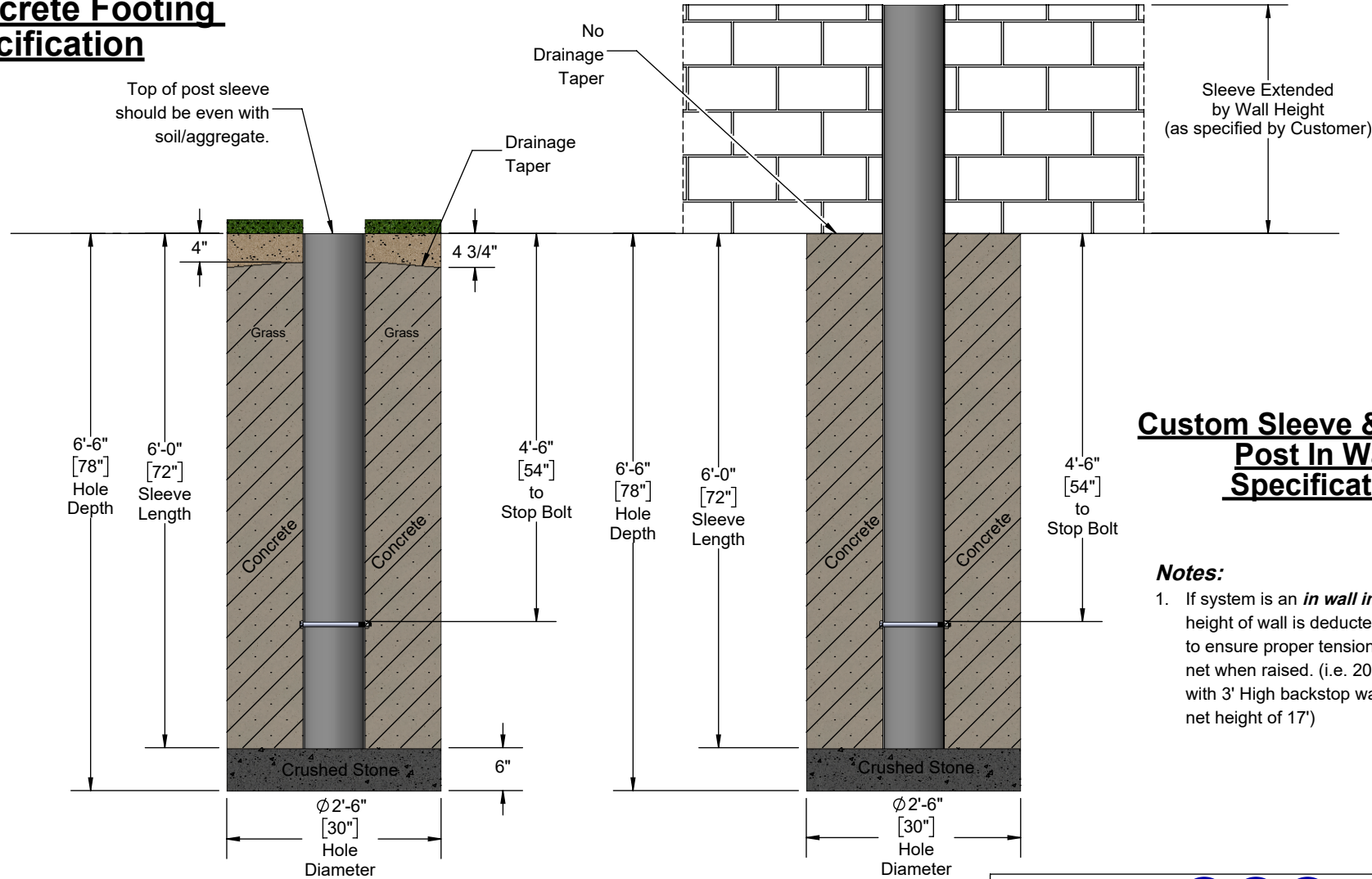
BBS-30 Concrete Footing Specification

D

C

B

A



Standard Sleeve & Footing Natural Grass/Turf Field Specification

Custom Sleeve & Footing Post In Wall Specification

Notes:

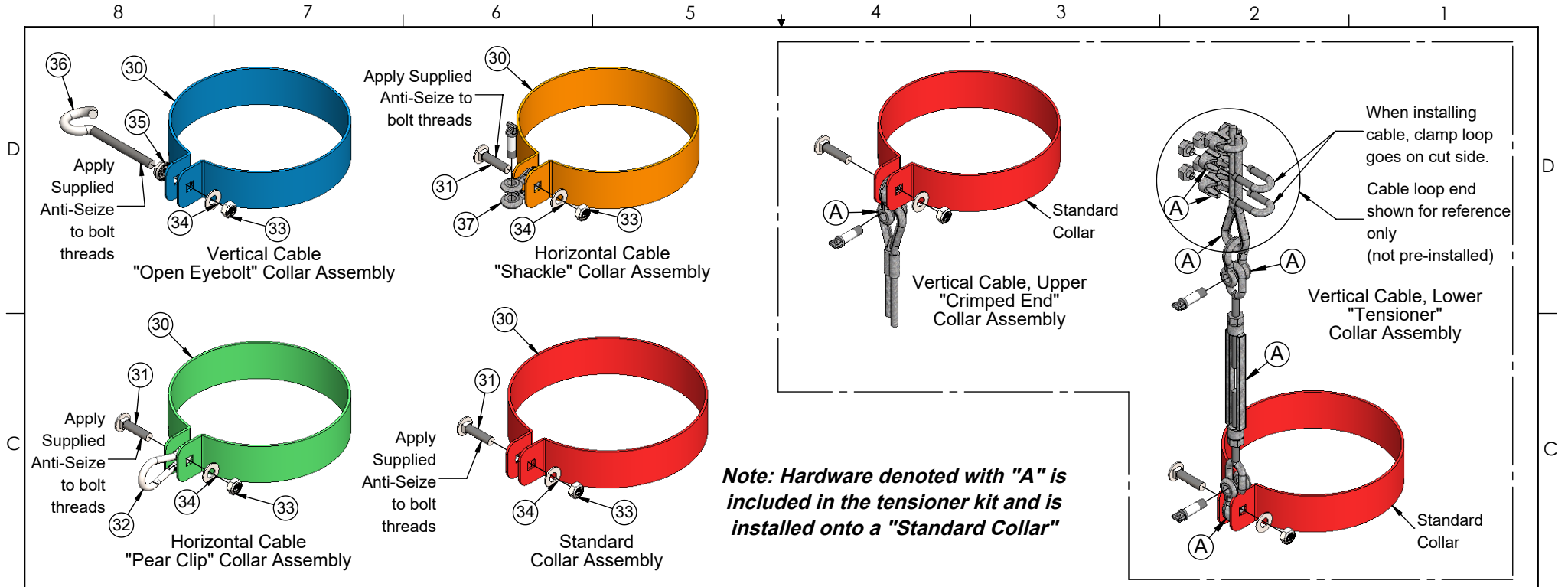
1. If system is an *in wall installation*, than height of wall is deducted from net height, to ensure proper tension is attained on net when raised. (i.e. 20' High system with 3' High backstop wall would have a net height of 17')

Note: ****Consult Local Codes**

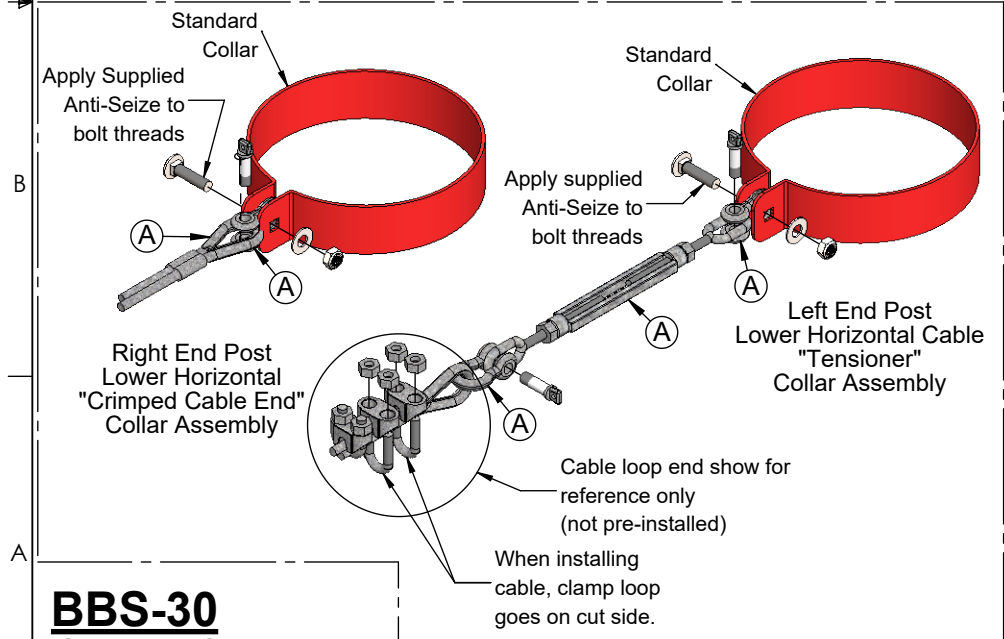
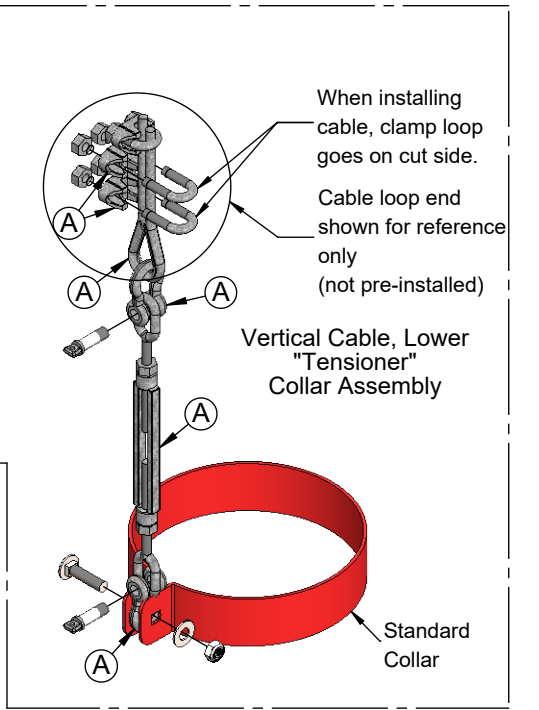


Aluminum Athletic Equipment
1000 Enterprise Drive, Royersford, PA 19468
Toll Free: (800) 523-5471 Phone: (610) 825-6565
www.aaesports.com

DESCRIPTION			Concrete Footing Specification		
NOTE:			Grass & Turf Concrete Footing Specification		
MODEL:	BBS-30	CATEGORY:	CUSTOMER	DATE:	3/28/2023
DRAWN BY:	NR	CAD FILE:	BBS-30 Specifications	DWG. NO.:	BBS-30-C-004



Note: Hardware denoted with "A" is included in the tensioner kit and is installed onto a "Standard Collar"



BBS-30 Cable Collar Assembly Diagrams

Note: Collars are Black in color, shown in different colors to aid in identification.



ITEM NO.	Item	DESCRIPTION
30	Securing Collar	8", I.D., Securing Collar
31	Bolt	5/16"-18 x 1-1/4", Carriage bolt, SS
32	Snap	1/4", Pear Clip Snap, Plated
33	Ny-Lock Hex Nut, Thin	5/16"-18, Self Locking Nut, SS, Thin
34	Washer	5/16" Flat Washer, SS
35	Wiz-Lock Hex Nut	5/16"-18, Wiz-Lock Nut, SS
36	Open Eyebolt	5/16"-18, Open Eyebolt, SS
37	Shackle	1/2" Anchor Shackle

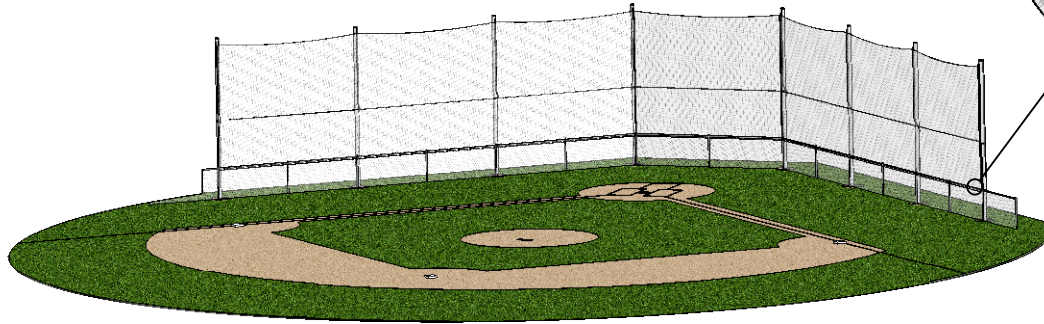


Aluminum Athletic Equipment
 1000 Enterprise Drive, Royersford, PA 19468
 Toll Free: (800) 523-5471 Phone: (610) 825-6565
 www.aaesports.com

DESCRIPTION		
BBS-30 Collar assemblies		
NOTE: QTY of collar assemblies will vary depending on system		
MODEL:	BBS-30	CATEGORY: CUSTOMER
DATE:		3/28/2023
DRAWN BY:	NR	CAD FILE: BBS-30 Specifications
DWG. NO.		BBS-30-C-005

BBS-30 Configurations

Note: Pre-Fab Approval form will need to be filled out prior to making the system, where wall/fence heights, length of net and attachment style will need to be specified.

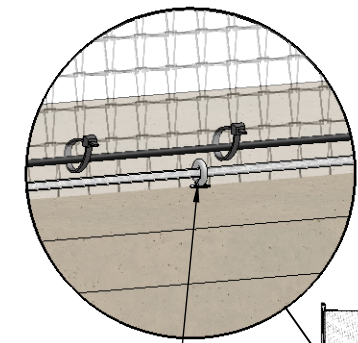


Net (Offset)
Rope Border

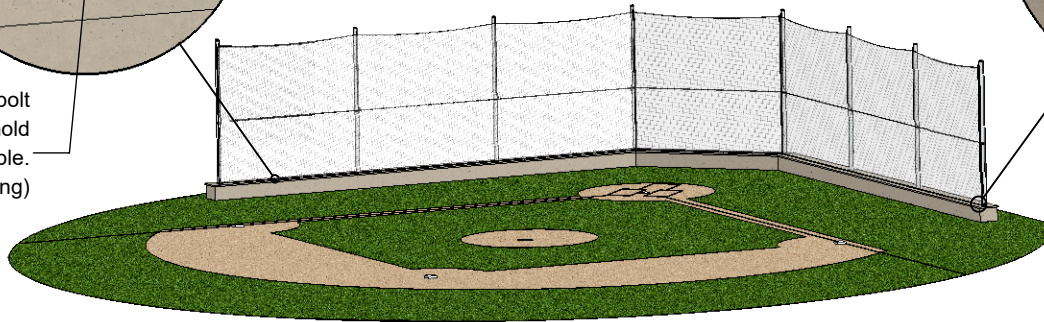
Cable Tie
(6" Spacing)

Fence
Rail

BBS-XX/FA Fence Attachment



Small Eyebolt
used to hold
down cable.
(4' Spacing)



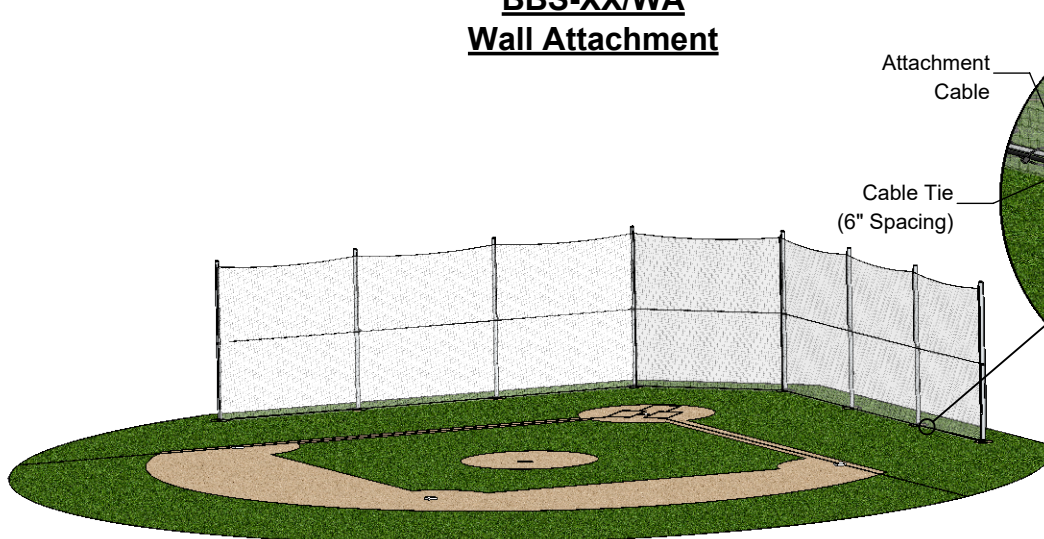
Cable Tie
(6" Spacing)

Attachment
Cable

Net (Offset)
Rope Border

Large Eyebolt
used to
anchor
tensioned
cable.
Placement: at
each end and
in corners if
run is not
straight
(i.e. backstop)

BBS-XX/WA Wall Attachment



Attachment
Cable

Cable Tie
(6" Spacing)

Net (Offset)
Rope Border

BBS-XX/SA Standard Attachment

Note: XX equals specified system height
(i.e. 20' height, wall attachment system = BBS-20/WA)

Model No. BBS-30/FA

Parts List

PARTS LIST			
Part List #	Item	Description	Qty.
1	Post	30' BBS System Posts w/ Cap	Ω
2	Ground Sleeve	72" Length Ground Sleeve, w/ Stop Bolt	Ω
Hanging Rope & Pulley System (Pre-Assembled)			
3	Hoist	Pre-assembled Hoist Rope/Pulley System	Ω
4	Washer	1/2" Flat Washer, SS	Σ
5	Hex Nut	1/2"-13 Hex Nut, Self Locking	Ω
Cleat & Hardware			
6	Cleat	Tapered Cleat, Glavanized Steel	Ω
7	Bolt	1/4"-20 x 9-1/2" Hex Bolt, SS	Σ
9	Hex Nut	1/4"-20 Hex Nut, SS, Self Locking	Σ
10	Cap Nut	1/4"-20 Cap Nut, SS,	Σ
Collar Assemblies			
11	Standard Collar	8" I.D. Standard Collar Assembly	Φ
12	Pear Clip Collar	8" I.D. Pear Clip Collar Assembly	π
13	Open Eyebolt Collar	8" I.D. Open Eyebolt Collar Assembly	λ
14	Shackle Collar	8" I.D. Shackle Collar Assembly	Ϡ
15	Tensioner Kit	Ball Stoper Tensioner Kit	Δ
Net & Hardware			
16	Net	#AAE N361, 1-3/4" sq. Mesh, Knotted Nylon	Ψ
17	Snap	1/4" Pear Clip Snap, Plated	ζ
18	Cable Tie	15" Cable Tie, 120 LB., Black	¥
19	Vertical Cable	3/16" Steel Cable with Clear Jacket, 1/4" O.D.	λ
OPTIONAL ACCESSORIES			
40	Debris Collar	Debris Collar, 8" Diameter	Ω
<p>*Qty of posts (will vary depending on length fo system)</p> <p>*Net Height = (specified system height - customer provided fence height)</p> <p>$\Omega = (\# \text{ ft. per system} / 20 \text{ ft.}) + 1$</p> <p>$\Sigma = [(\# \text{ ft. per system} / 20 \text{ ft.}) + 1] \times 2$</p> <p>$\Phi = (6 \text{ per system}) + 2 \text{ per corner post}$</p> <p>$\pi = \{[(\# \text{ ft. per system} / 20 \text{ ft.}) - 1] - (\# \text{ of corner posts})\}$</p> <p>$\Delta = (3 \text{ per system}) + 1 \text{ per corner post}$</p> <p>$\lambda = 1 \text{ per Corner \& End Post}$</p> <p>$\rho = 1 \text{ per Corner Post}$</p> <p>$\Psi = \# \text{ ft. net length}$</p> <p>$\zeta = (\# \text{ ft. net height}) \times 2$</p> <p>$\yen \text{ = } (\# \text{ ft. net length}) \times 2$</p>			

Model No. BBS-30/WA

Parts List

PARTS LIST			
Part List #	Item	Description	Qty.
1	Post	30' BBS System Posts w/ Cap	Ω
2	Ground Sleeve	72" + (Wall Height) Length Ground Sleeve, w/ Stop Bolt	Ω
Hanging Rope & Pulley System (Pre-Assembled)			
3	Hoist	Pre-assembled Hoist Rope/Pulley System	Ω
4	Washer	1/2" Flat Washer, SS	Σ
5	Hex Nut	1/2"-13 Hex Nut, Self Locking	Ω
Cleat & Hardware			
6	Cleat	Tapered Cleat, Glvanized Steel	Ω
7	Bolt	1/4"-20 x 9-1/2" Hex Bolt, SS	Σ
9	Hex Nut	1/4"-20 Hex Nut, SS, Self Locking	Σ
10	Cap Nut	1/4"-20 Cap Nut, SS,	Σ
Collar Assemblies			
11	Standard Collar	8" I.D. Standard Collar Assembly	Φ
12	Pear Clip Collar	8" I.D. Pear Clip Collar Assembly	π
13	Open Eyebolt Collar	8" I.D. Open Eyebolt Collar Assembly	λ
14	Shackle Collar	8" I.D. Shackle Collar Assembly	ρ
15	Tensioner Kit	Ball Stoper Tensioner Kit	Δ
Net & Hardware			
16	Net	#AAE N361, 1-3/4" sq. Mesh, Knotted Nylon	Ψ
17	Snap	1/4" Pear Clip Snap, Plated	ζ
18	Cable Tie	15" Cable Tie, 120 LB., Black	¥
19	Vertical Cable	3/16" Steel Cable with Clear Jacket, 1/4" O.D.	λ
Attachment Cable & Hardware			
20	Hold-Down Cable	3/16" Steel Cable with Clear Jacket, 1/4" O.D.	v
21	Large Eyebolt	3/8"-16 x 3" Closed Eyebolt, SS	λ
22	Washer	3/8" x 1" O.D., Flat Washer, SS	λ
23	Large Anchor	3/8"-16 Double Expansion Anchor	λ
24	Small Eyebolt	1/4"-20 x 2" Closed Eyebolt, SS	χ
25	Washer	1/4" x 5/8" O.D., Flat Washer, SS	χ
26	Small Anchor	1/4"-20 Double Expansion Anchor	χ
15	Tensioner Kit	Ball Stoper Tensioner Kit	Δ
OPTIONAL ACCESSORIES			
40	Debris Collar	Debris Collar, 8" Diameter	Ω
<p><i>*Qty of posts (will vary depending on length fo system)</i></p> <p><i>*Net Height = (specified system height - customer provided wall height)</i></p> <p>$\Omega = (\# \text{ ft. per system} / 20 \text{ ft.}) + 1$</p> <p>$\Sigma = [(\# \text{ ft. per system} / 20 \text{ ft.}) + 1] \times 2$</p> <p>$\Phi = (6 \text{ per system}) + 2 \text{ per corner post}$</p> <p>$\pi = \{[(\# \text{ ft. per system} / 20 \text{ ft.}) - 1] - (\# \text{ of corner posts})\}$</p> <p>$\Delta = (4 \text{ per system}) + 1 \text{ per corner post}$</p> <p>$\lambda = 1 \text{ per Corner \& End Post}$</p> <p>$\rho = 1 \text{ per Corner Post}$</p> <p>$\Psi = \# \text{ ft. net length}$</p> <p>$\zeta = (\# \text{ ft. system height} - \text{wall height}) \times 2$</p> <p>$\text{¥} = (\# \text{ ft. net length}) \times 2$</p> <p>$\chi = (\# \text{ ft. net length}) / 4 \text{ ft.}$</p> <p>$v = (\# \text{ ft. net length}) + 1 \text{ft.}$</p>			



Model No. BBS-30/SA

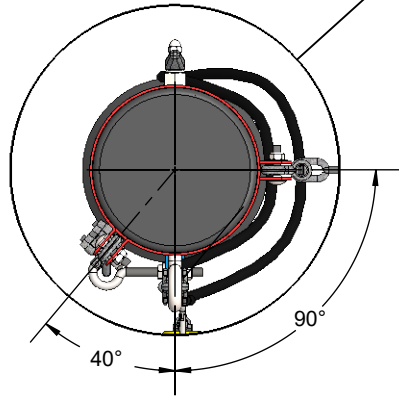
Parts List

PARTS LIST			
Part List #	Item	Description	Qty.
1	Post	30' BBS System Posts w/ Cap	Ω
2	Ground Sleeve	72" Length Ground Sleeve, w/ Stop Bolt	Ω
Hanging Rope & Pulley System (Pre-Assembled)			
3	Hoist	Pre-assembled Hoist Rope/Pulley System	Ω
4	Washer	1/2" Flat Washer, SS	Σ
5	Hex Nut	1/2"-13 Hex Nut, Self Locking	Ω
Cleat & Hardware			
6	Cleat	Tapered Cleat, Glvanized Steel	Ω
7	Bolt	1/4"-20 x 9-1/2" Hex Bolt, SS	Σ
9	Hex Nut	1/4"-20 Hex Nut, SS, Self Locking	Σ
10	Cap Nut	1/4"-20 Cap Nut, SS,	Σ
Collar Assemblies			
11	Standard Collar	8" I.D. Standard Collar Assembly	Φ
12	Pear Clip Collar	8" I.D. Pear Clip Collar Assembly	π
13	Open Eyebolt Collar	8" I.D. Open Eyebolt Collar Assembly	λ
14	Shackle Collar	8" I.D. Shackle Collar Assembly	Ϡ
15	Tensioner Kit	Ball Stoper Tensioner Kit	Δ
Net & Hardware			
16	Net	#AAE N361, 1-3/4" sq. Mesh, Knotted Nylon	ψ
17	Snap	1/4" Pear Clip Snap, Plated	ζ
18	Cable Tie	15" Cable Tie, 120 LB., Black	¥
19	Vertical Cable	3/16" Steel Cable with Clear Jacket, 1/4" O.D.	λ
Attachment Cable & Hardware			
20	Hold-Down Cable	3/16" Steel Cable with Clear Jacket, 1/4" O.D.	v
16	Tensioner Kit	Ball Stoper Tensioner Kit	Δ
OPTIONAL ACCESSORIES			
40	Debris Collar	Debris Collar, 8" Diameter	Ω
*Qty of posts (will vary depending on length fo system)			
*Net Height = (specified system height)			
$\Omega = (\# \text{ ft. per system} / 20 \text{ ft.}) + 1$			
$\Sigma = [(\# \text{ ft. per system} / 20 \text{ ft.}) + 1] \times 2$			
$\Phi = (8 \text{ per system}) + 2 \text{ per corner post}$			
$\pi = \{[(\# \text{ ft. per system} / 20 \text{ ft.}) - 1] - (\# \text{ of corner posts})\} \times 2$			
$\Delta = (4 \text{ per system}) + 1 \text{ per corner post}$			
$\lambda = 1 \text{ per Corner \& End Post}$			
$\rho = 2 \text{ per Corner Post}$			
$\psi = \# \text{ ft. net length}$			
$\zeta = (\# \text{ ft. system height} - \text{wall height}) \times 2$			
$\text{¥} = (\# \text{ ft. net length}) \times 2$			
$v = (\# \text{ ft. net length}) + 1\text{ft.}$			

BBS-30/SA

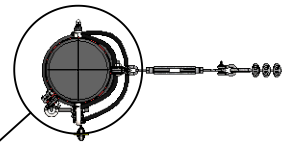
Assembly Instruction

Left End Post



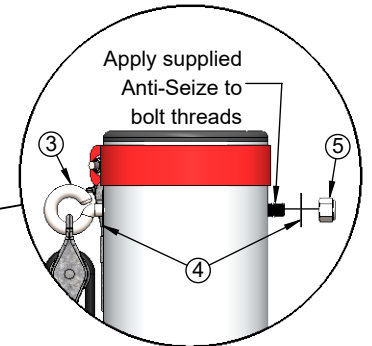
Collar Orientation Detail

(Note: **ONLY** vertical cable collars should be turned away from netting)

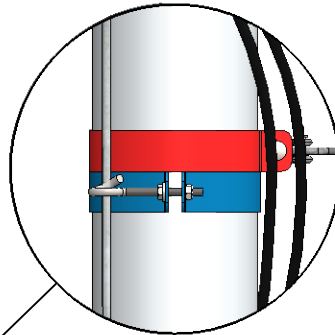


Post Cap
pre-installed

Net Pulley
System



Eyebolt Detail

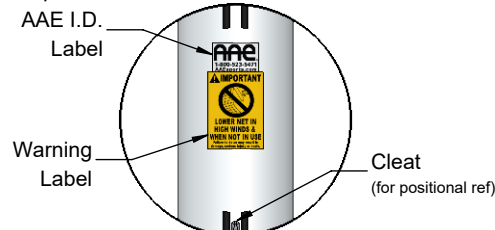


Open Eyebolt Collar Detail

Installation Notes:

- Lower Collars:** From bottom of pole slide the lower vertical cable collar, lower horizontal collar and debris ring (*optional*) into position. To allow proper insertion into ground sleeve, lower most collar should be 54" from end of post. *Before securing collars into place make sure to rotate the lower vertical collar approx 40°. (refer to diagram)*
- Cleat:** Is to be installed so that it is on backside of post, opposite net. Screws will be inserted through post and cleat and secured on opposite of net side, Nylock hex-nuts and cap nuts. (*refer to diagram*)
- Mid Collar Open Eyebolt:** Note orientation of collar on post. From top of pole slide the open eyebolt collar into position (*refer to diagram*) and secure into place.
- Mid Collar Tensioner:** Note orientation of collar on post. From top of pole slide the open eyebolt collar into position and , rotate approx 45° counterclockwise (*refer to diagram*) and secure into place.
- Eyebolt:** Pulley system comes preassembled to eyebolt. Install washer onto eyebolt then insert eyebolt with washer through front side of hole at top of post. From opposite side secure eyebolt into place using a flatwasher and self-locking hex-nut. (*refer to diagram*)
- Upper Collar:** From top of pole slide the upper vertical cable collar into position (collar should rest on eyebolt washers). Before securing into place make sure to rotate the collar clockwise, approx 40°. (*refer to diagram*)

- Make sure warning labels are present on goal posts.

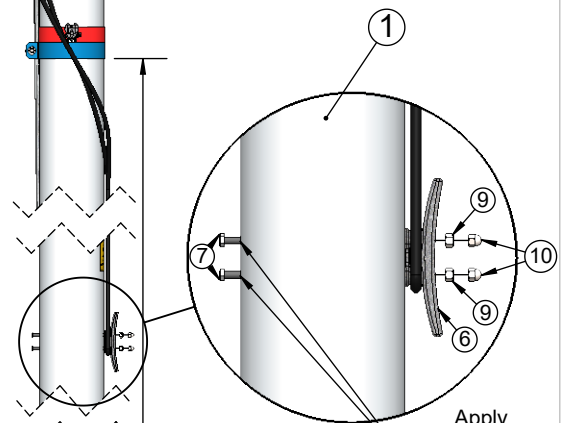


Front View

Lower Vertical
Cable Collar
w/ Tensioner
Assembly
(see collar orientation
detail)

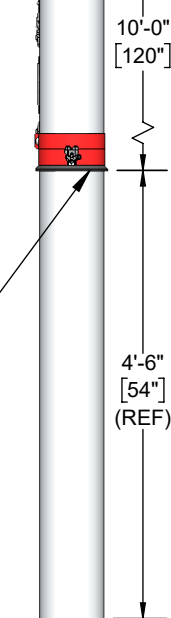
Lower Horizontal
Cable Collar
w/ Tensioner
Assembly

Debris Ring
(Optional)
If not present
Make sure
lower collars
are positioned
accordingly.



Cleat Detail

Apply
supplied
Anti-Seize
to bolt
threads



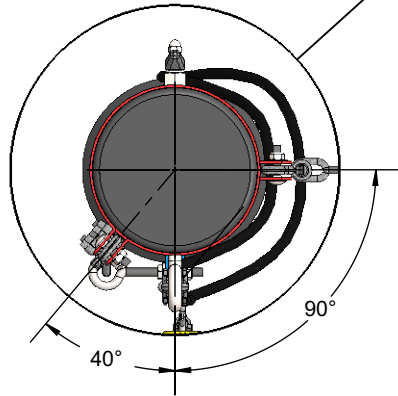
Right View



Note:
Post assembly should be done with post laying down on flat level surface.

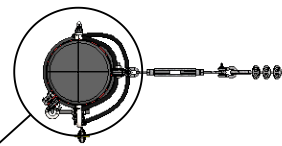
Note: Collars are Black in color, shown in different colors to aid in identification.

BBS-30/FA & /WA Assembly Instruction Left End Post



Collar Orientation Detail

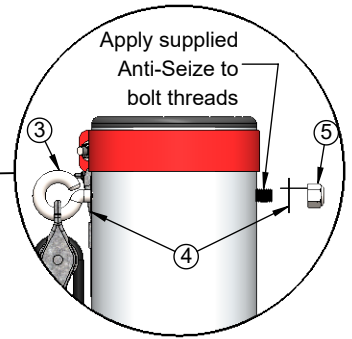
(Note: **ONLY** vertical cable collars should be turned away from netting)



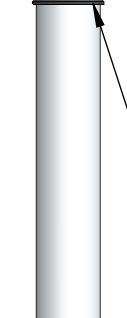
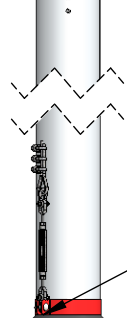
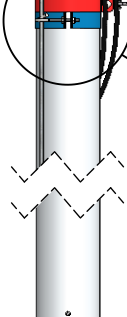
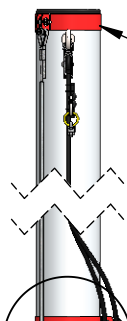
Post Cap pre-installed

Net Pulley System

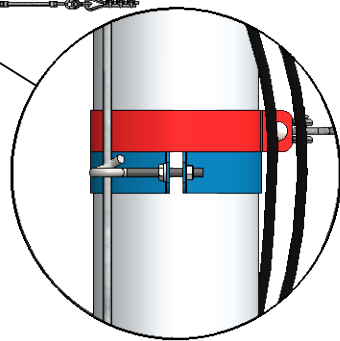
Upper Vertical Cable Collar Assembly (see collar orientation detail)



Eyebolt Detail



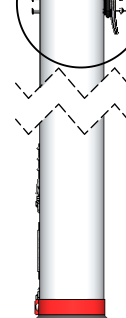
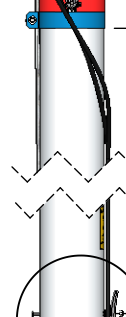
Front View



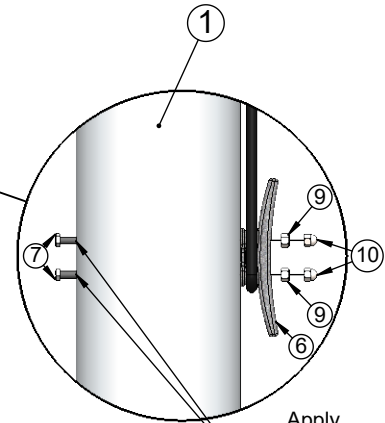
Open Eyebolt Collar Detail

Lower Vertical Cable Collar w/ Tensioner Assembly (see collar orientation detail)

Debris Ring (Optional) If not present Make sure lower collars are positioned accordingly.



Right View



Cleat Detail

Apply supplied Anti-Seize to bolt threads

10'-0" [120"] from Ground Level

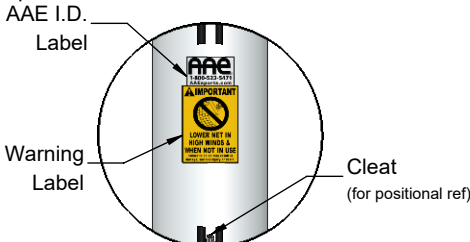
4'-6" [54"] (REF) + Height of Fence or Wall



Anti-Seize (supplied by AAE)

Installation Notes:

- Lower Collar(s):** From bottom of pole slide the lower vertical cable collar, lower horizontal collar and debris ring (optional) into position. To allow proper insertion into ground sleeve, lower most collar should be 54" + Height of Wall/Fence from end of post. Before securing collars into place make sure to rotate the lower vertical collar approx 40°. (refer to diagram)
- Cleat:** Is to be installed so that it is on backside of post, opposite net. Screws will be inserted through post and cleat and secured on opposite of net side using Nylock hex-nuts and cap nuts. (refer to diagram)
- Mid Collar Open Eyebolt:** Note orientation of collar on post. From top of pole slide the open eyebolt collar into position (refer to diagram) and secure into place.
- Mid Collar Tensioner:** Note orientation of collar on post. From top of pole slide the open eyebolt collar into position and rotate approx 45° counterclockwise (refer to diagram) and secure into place.
- Eyebolt:** Pulley system comes preassembled to eyebolt. Install washer onto eyebolt then insert eyebolt with washer through front side of hole at top of post. From opposite side secure eyebolt into place using a flatwasher and self-locking hex-nut. (refer to diagram)
- Upper Collar:** From top of pole slide the upper vertical cable collar into position (collar should rest on eyebolt washers). Before securing into place make sure to rotate the collar clockwise, approx 40°. (refer to diagram)
- Make sure warning labels are present on goal posts.



Note: Post assembly should be done with post laying down on flat level surface.

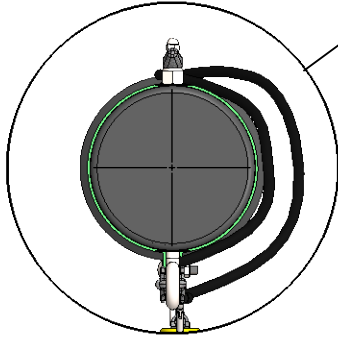
Note: Collars are Black in color, shown in different colors to aid in identification.



BBS-30/SA

Assembly Instruction

Inner Post

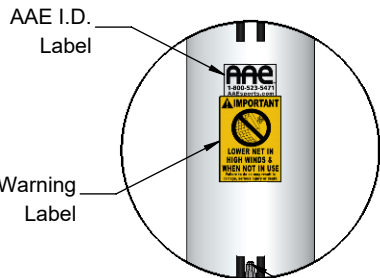


Collar Orientation Detail

(Note: **ONLY** vertical cable collars should be turned away from netting, this aids in tensioning the net)

Installation Notes:

- Lower Collars:** From bottom of pole slide the lower horizontal collar and debris ring (optional) into position. To allow proper insertion into ground sleeve, lower most collar should be 54" from end of post. Before securing collars into place verify correct orientation. (refer to diagram)
- Cleat:** Is to be installed so that it is on backside of post, opposite net. Screws will be inserted through post and cleat and secured on opposite of net side using self locking hex-nuts and cap nuts. (refer to diagram)
- Mid Collar with Pear Clip:** Note orientation of collar on post. From top of pole slide the open eyebolt collar into position (refer to diagram) and secure into place.
- Eyebolt:** Pulley system comes preassembled to eyebolt. Install washer onto eyebolt then insert eyebolt with washer through front side of hole at top of post. From opposite side secure eyebolt into place using a flatwasher and self-locking hex-nut. (refer to diagram)
- Upper Collar:** From top of pole slide the upper vertical cable collar into position (collar should rest on eyebolt washers). Before securing collars into place verify correct orientation. (refer to diagram)
- Make sure warning labels are present on goal posts.

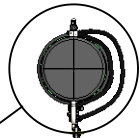


AAE I.D. Label

Warning Label

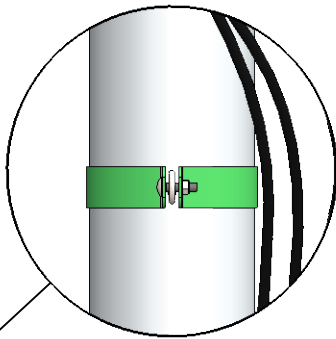
Cleat (for positional ref)

Note: Collars are Black in color, shown in different colors to aid in identification.



Post Cap pre-installed

Net Pulley System

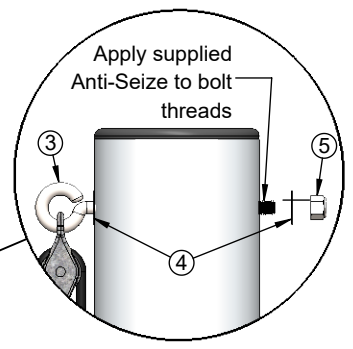


Pear Clip Collar Detail

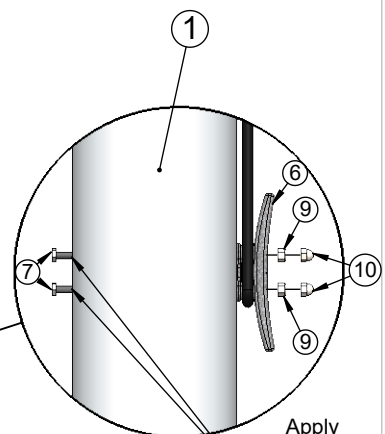
Lower Horizontal Cable Collar w/ Pear Clip

Debris Ring (Optional)
If not present
Make sure lower collars are positioned accordingly.

Front View

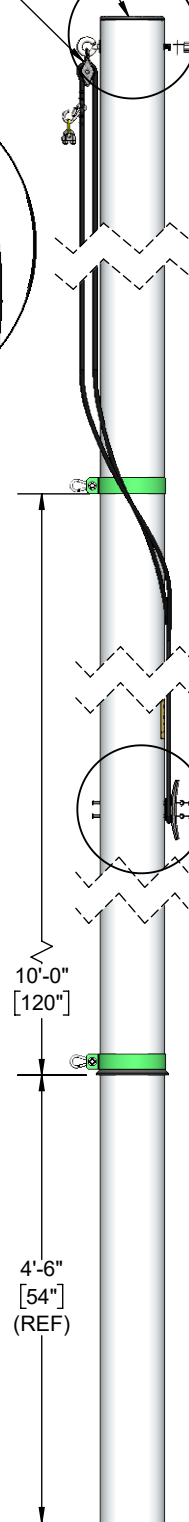


Eyebolt Detail



Cleat Detail

Apply supplied Anti-Seize to bolt threads



Right View



Anti-Seize (supplied by AAE)

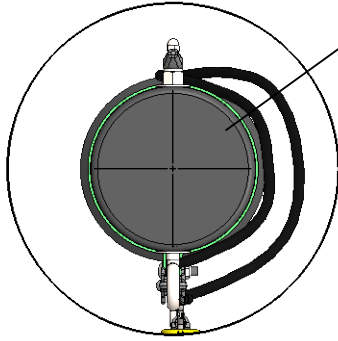
Note:

Post assembly should be done with post laying down on flat level surface.



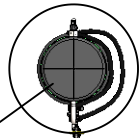
Aluminum Athletic Equipment
1000 Enterprise Drive, Royersford, PA 19468
Toll Free: (800) 523-5471 Phone: (610) 825-6565
www.aaesports.com

BBS-30/FA & /WA Assembly Instruction Inner Post



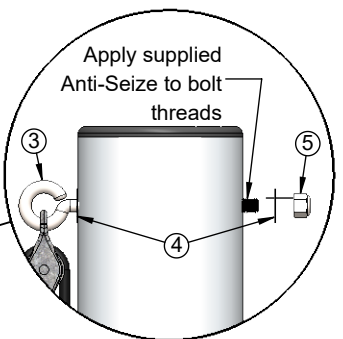
Collar Orientation Detail

(Note: **ONLY** vertical cable collars should be turned away from netting, this aids in tensioning the net)



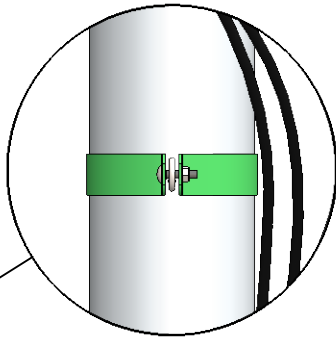
Post Cap
pre-installed

Net Pulley
System



Eyebolt Detail

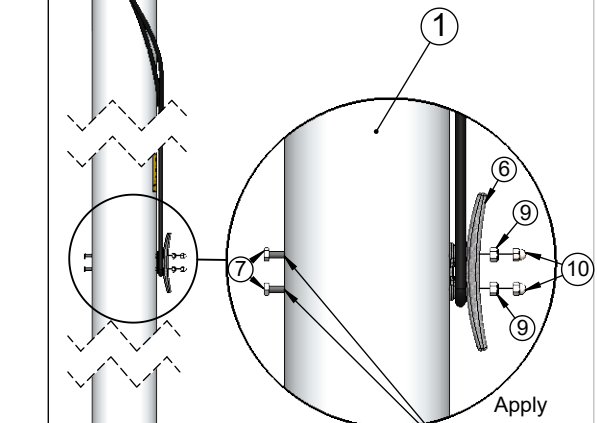
Apply supplied
Anti-Seize to bolt
threads



Pear Clip Collar Detail

Installation Notes:

- Lower Collar(s):** From bottom of pole slide the lower horizontal collar and debris ring (optional) into position. To allow proper insertion into ground sleeve, lower most collar should be 54" + Height of Wall/Fence from end of post. Before securing collars into place verify correct orientation. (refer to diagram)
- Cleat:** Is to be installed so that it is on backside of post, opposite net. Screws will be inserted through post and cleat and secured on opposite of net side using self locking hex-nuts and cap nuts. (refer to diagram)
- Mid Collar with Pear Clip:** Note orientation of collar on post. From top of pole slide the open eyebolt collar into position (refer to diagram) and secure into place.
- Eyebolt:** Pulley system comes preassembled to eyebolt. Install washer onto eyebolt then insert eyebolt with washer through front side of hole at top of post. From opposite side secure eyebolt into place using a flatwasher and self-locking hex-nut. (refer to diagram)
- Upper Collar:** From top of pole slide the upper vertical cable collar into position (collar should rest on eyebolt washers). Before securing collars into place verify correct orientation. (refer to diagram)
- Make sure warning labels are present on goal posts.



Cleat Detail

Apply
supplied
Anti-Seize
to bolt
threads

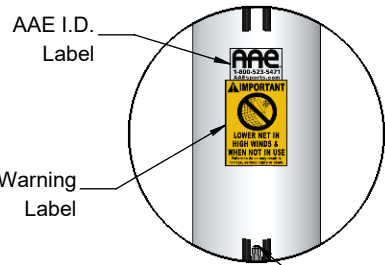
Debris Ring
(Optional)
If not present
Make sure
lower collars
are positioned
accordingly.

10'-0"
[120"]
from
Ground
Level

4'-6"
[54"]
(REF)
+
Height
of
Fence
or
Wall



Anti-Seize
(supplied by AAE)



Cleat
(for positional ref)

Front View

Right View

Note: Collars are Black in color, shown in different colors to aid in identification.

Note:
Post assembly should be done with post laying down on flat level surface.

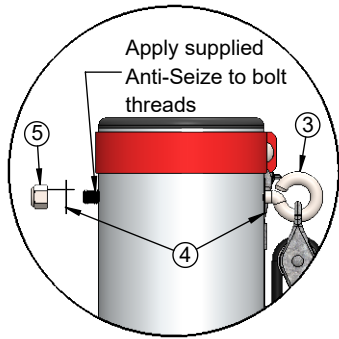


Aluminum Athletic Equipment
1000 Enterprise Drive, Royersford, PA 19468
Toll Free: (800) 523-5471 Phone: (610) 825-6565
www.aesports.com

BBS-30/SA

Assembly Instruction

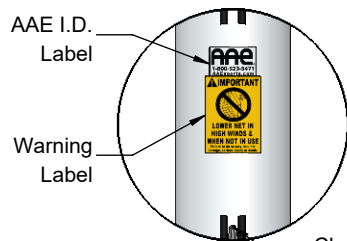
Left Corner Post



Eyebolt Detail

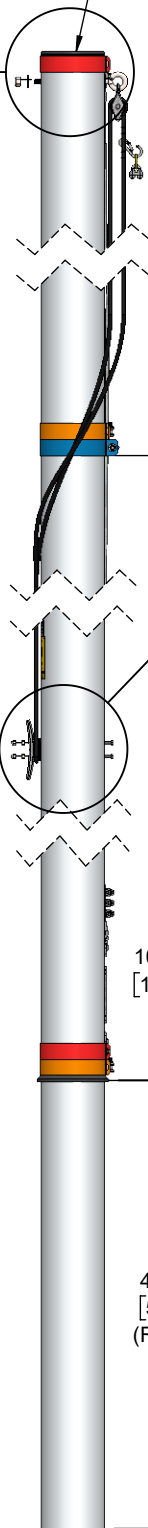
Installation Notes:

- Lower Collars:** From bottom of pole slide the lower horizontal collar and debris ring (optional) into position. To allow proper insertion into ground sleeve, lower most collar should be 54" from end of post. Before securing collars into place verify correct orientation. (refer to diagram)
- Cleat:** Is to be installed so that it is on backside of post, opposite net. Screws will be inserted through post and cleat and secured on opposite of net side using self locking hex-nuts and cap nuts. (refer to diagram)
- Mid Collar Open Eyebolt:** Note orientation of collar on post. From top of pole slide the open eyebolt collar into position (refer to diagram) and secure into place.
- Mid Collar with Shackle:** Note orientation of collar on post. From top of pole slide the open eyebolt collar into position (refer to diagram) and secure into place.
- Eyebolt:** Pulley system comes preassembled to eyebolt. Install washer onto eyebolt then insert eyebolt with washer through front side of hole at top of post. From opposite side secure eyebolt into place using a flatwasher and self-locking hex-nut. (refer to diagram)
- Upper Collar:** From top of pole slide the upper vertical cable collar into position (collar should rest on eyebolt washers). Before securing collars into place verify correct orientation. (refer to diagram)
- Make sure warning labels are present on goal posts.

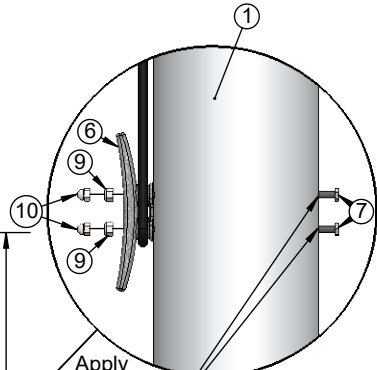


Note: Collars are Black in color, shown in different colors to aid in identification.

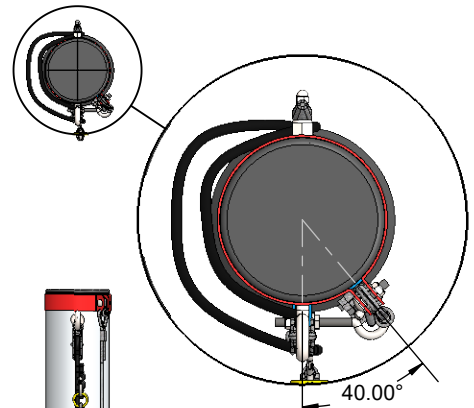
Post Cap pre-installed



Left View

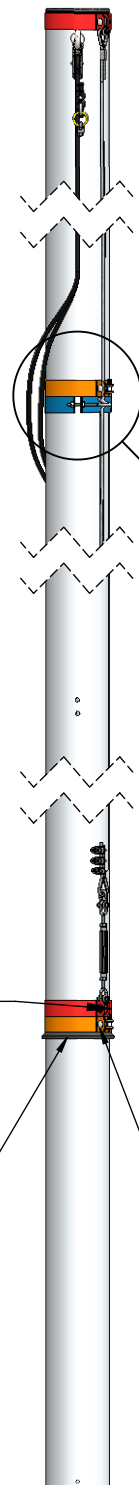


Cleat Detail

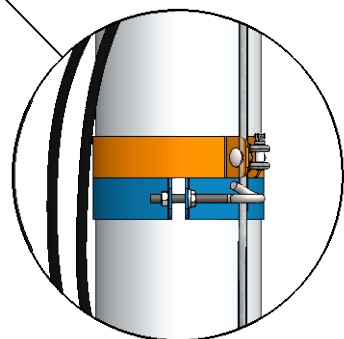


Collar Orientation Detail

(Note: **ONLY** vertical cable collars should be turned away from netting, this aids in tensioning the net)



Front View



Open Eyebolt Collar Detail

Lower Vertical Cable Collar w/ Tensioner Assembly (see collar orientation detail)

Debris Ring (Optional) If not present Make sure lower collars are positioned accordingly.



Anti-Seize (supplied by AAE)

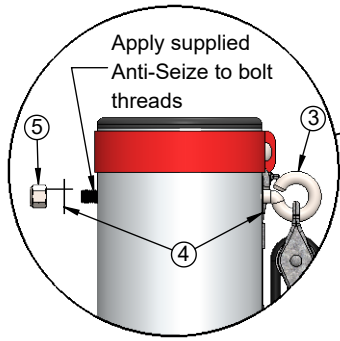
Lower Horizontal Cable Collar w/ Anchor Shackle

Note: Post assembly should be done with post laying down on flat level surface.



Aluminum Athletic Equipment
1000 Enterprise Drive, Royersford, PA 19468
Toll Free: (800) 523-5471 Phone: (610) 825-6565
www.aaesports.com

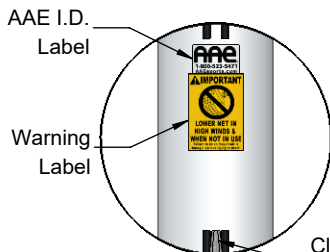
BBS-30/FA & /WA Assembly Instruction Left Corner Post



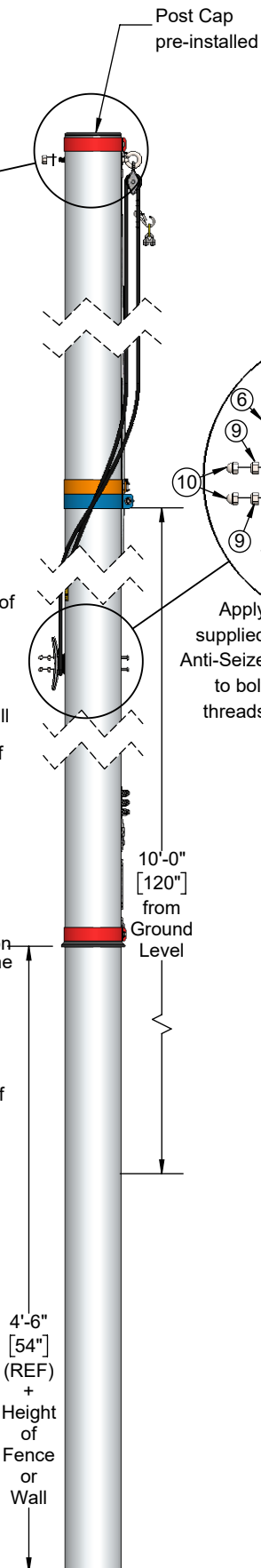
Eyebolt Detail

Installation Notes:

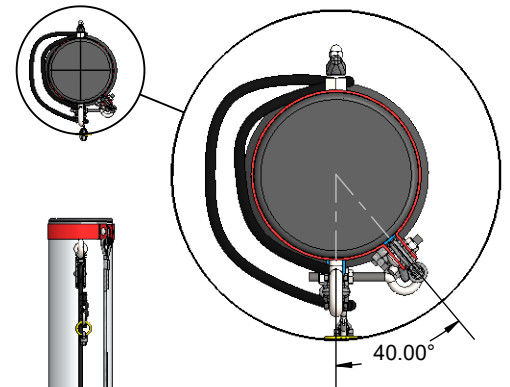
- Lower Collar(s):** From bottom of pole slide the lower horizontal collar and debris ring (optional) into position. To allow proper insertion into ground sleeve, lower most collar should be 54" + Height of Wall/Fence from end of post. Before securing collars into place verify correct orientation. (refer to diagram)
- Cleat:** Is to be installed so that it is on backside of post, opposite net. Screws will be inserted through post and cleat and secured on opposite of net side using self locking hex-nuts and cap nuts. (refer to diagram)
- Mid Collar Open Eyebolt:** Note orientation of collar on post. From top of pole slide the open eyebolt collar into position (refer to diagram) and secure into place.
- Mid Collar with Shackle:** Note orientation of collar on post. From top of pole slide the open eyebolt collar into position (refer to diagram) and secure into place.
- Eyebolt:** Pulley system comes preassembled to eyebolt. Install washer onto eyebolt then insert eyebolt with washer through front side of hole at top of post. From opposite side secure eyebolt into place using a flatwasher and self-locking hex-nut. (refer to diagram)
- Upper Collar:** From top of pole slide the upper vertical cable collar into position (collar should rest on eyebolt washers). Before securing collars into place verify correct orientation. (refer to diagram)
- Make sure warning labels are present on goal posts.



Note: Collars are Black in color, shown in different colors to aid in identification.

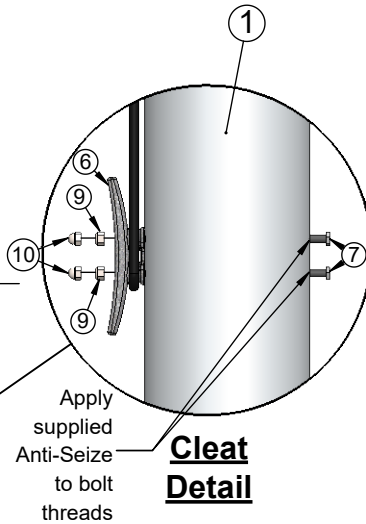


Left View



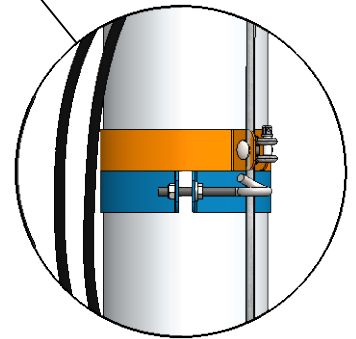
Collar Orientation Detail

(Note: **ONLY** vertical cable collars should be turned away from netting, this aids in tensioning the net)



Cleat Detail

Debris Ring (Optional)
If not present Make sure lower collars are positioned accordingly.
Lower Vertical Cable Collar w/ Tensioner Assembly (see collar orientation detail)



Open Eyebolt Collar Detail



Anti-Seize (supplied by AAE)

Front View

Note: Post assembly should be done with post laying down on flat level surface.

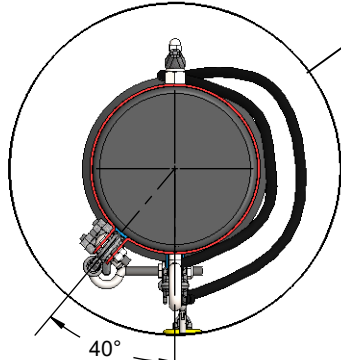


Aluminum Athletic Equipment
1000 Enterprise Drive, Royersford, PA 19468
Toll Free: (800) 523-5471 Phone: (610) 825-6565
www.aaesports.com

BBS-30/SA

Assembly Instruction

Right Corner Post

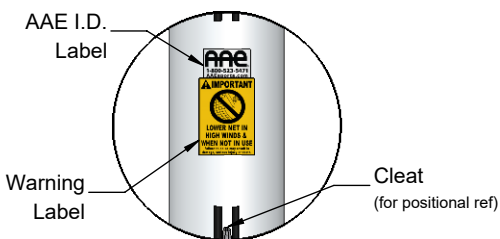


Collar Orientation Detail

(Note: **ONLY** vertical cable collars should be turned away from netting, this aids in tensioning the net)

Installation Notes:

- Lower Collars:** From bottom of pole slide the lower horizontal collar and debris ring (optional) into position. To allow proper insertion into ground sleeve, lower most collar should be 54" from end of post. Before securing collars into place verify correct orientation. (refer to diagram)
- Cleat:** Is to be installed so that it is on backside of post, opposite net. Screws will be inserted through post and cleat and secured on opposite of net side using self locking hex-nuts and cap nuts. (refer to diagram)
- Mid Collar Open Eyebolt:** Note orientation of collar on post. From top of pole slide the open eyebolt collar into position (refer to diagram) and secure into place.
- Mid Collar with Shackle:** Note orientation of collar on post. From top of pole slide the open eyebolt collar into position (refer to diagram) and secure into place.
- Eyebolt:** Pulley system comes preassembled to eyebolt. Install washer onto eyebolt then insert eyebolt with washer through front side of hole at top of post. From opposite side secure eyebolt into place using a flatwasher and self-locking hex-nut. (refer to diagram)
- Upper Collar:** From top of pole slide the upper vertical cable collar into position (collar should rest on eyebolt washers). Before securing collars into place verify correct orientation. (refer to diagram)
- Make sure warning labels are present on goal posts.

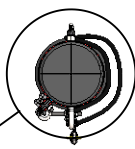


AAE I.D. Label

Warning Label

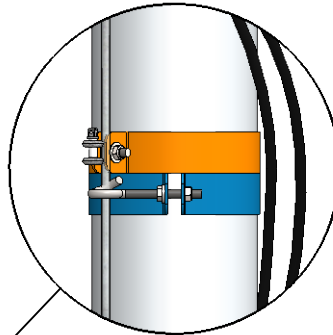
Cleat (for positional ref)

Note: Collars are Black in color, shown in different colors to aid in identification.



Post Cap pre-installed

Net Pulley System



Open Eyebolt Collar Detail

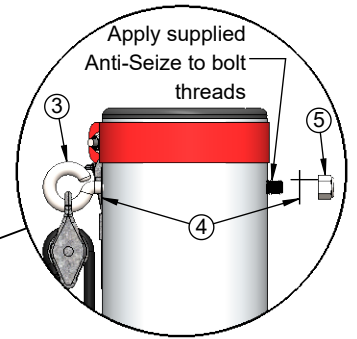
Corner Post Vertical Cable needs to be run in front of net.

Do Not Secure to Lower Vertical Tensioner until net has been raised and fully tensioned.

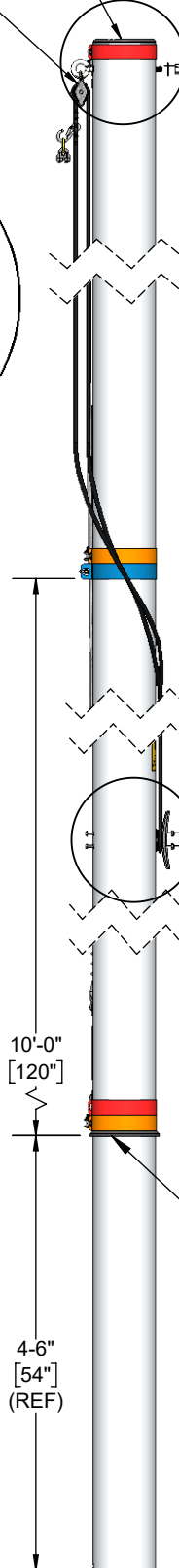
Lower Vertical Cable Collar w/ Tensioner Assembly (see collar orientation detail)

Lower Horizontal Cable Collar w/ Shackle

Front View



Eyebolt Detail



10'-0" [120"]

4'-6" [54"] (REF)

Right View



Anti-Seize (supplied by AAE)

Debris Ring (Optional) If not present Make sure lower collars are positioned accordingly.

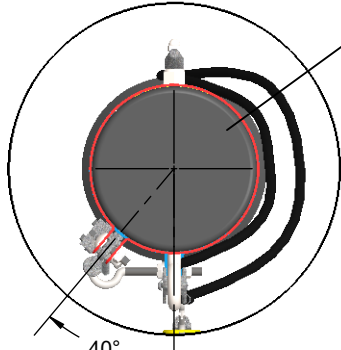
Note:

Post assembly should be done with post laying down on flat level surface.



AAE
Aluminum Athletic Equipment
1000 Enterprise Drive, Royersford, PA 19468
Toll Free: (800) 523-5471 Phone: (610) 825-6565
www.aaesports.com

BBS-30/FA & /WA Assembly Instruction Right Corner Post

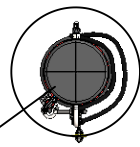


Collar Orientation Detail

(Note: **ONLY** vertical cable collars should be turned away from netting, this aids in tensioning the net)

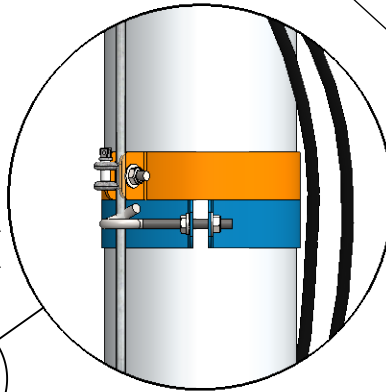
Installation Notes:

- Lower Collar(s):** From bottom of pole slide the lower horizontal collar and and debris ring (*optional*) into position. To allow proper insertion into ground sleeve, lower most collar should be 54" + Height of Wall/Fence from end of post. *Before securing collars into place verify correct orientation. (refer to diagram)*
- Cleat:** Is to be installed so that it is on backside of post, opposite net. Screws will be inserted through post and cleat and secured on the opposite of net side using self locking hex-nuts and cap nuts. (*refer to diagram*)
- Mid Collar Open Eyebolt:** Note orientation of collar on post. From top of pole slide the open eyebolt collar into position (*refer to diagram*) and secure into place.
- Mid Collar with Shackle:** Note orientation of collar on post. From top of pole slide the open eyebolt collar into position (*refer to diagram*) and secure into place.
- Eyebolt:** Pulley system comes preassembled to eyebolt. Install washer onto eyebolt then insert eyebolt with washer through front side of hole at top of post. From opposite side secure eyebolt into place using a flatwasher and self-locking hex-nut. (*refer to diagram*)
- Upper Collar:** From top of pole slide the upper vertical cable collar into position (collar should rest on eyebolt washers). *Before securing collars into place verify correct orientation. (refer to diagram)*
- Make sure warning labels are present on goal posts.



Post Cap pre-installed

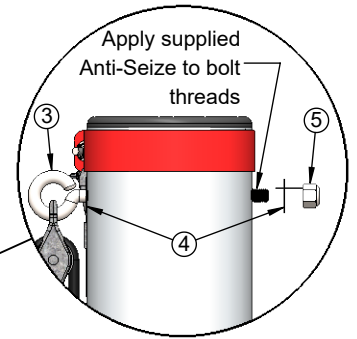
Net Pulley System



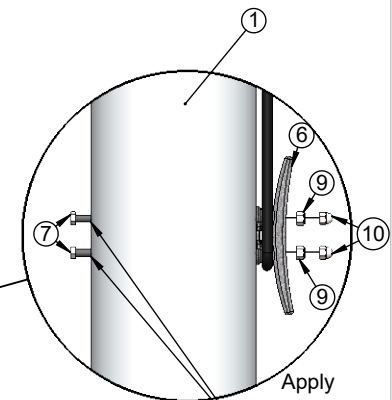
Open Eyebolt Collar Detail

Corner Post Vertical Cable needs to be run in front of net.

Do Not Secure to Lower Vertical Tensioner until net has been raised and fully tensioned.



Eyebolt Detail



Cleat Detail

Apply supplied Anti-Seize to bolt threads

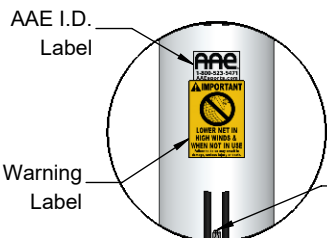
10'-0" [120"] from Ground Level

4'-6" [54"] (REF) + Height of Fence or Wall



Anti-Seize (supplied by AAE)

Debris Ring (Optional) *If not present Make sure lower collars are positioned accordingly.*



AAE I.D. Label

Warning Label

Cleat (for positional ref)

Front View

Right View

Note: Collars are Black in color, shown in different colors to aid in identification.

Note:

Post assembly should be done with post laying down on flat level surface.

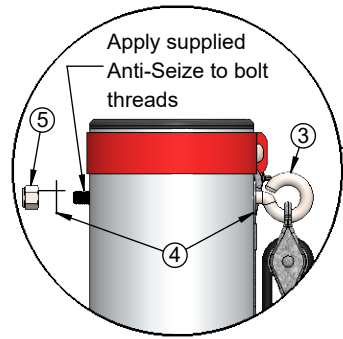


Aluminum Athletic Equipment
1000 Enterprise Drive, Royersford, PA 19468
Toll Free: (800) 523-5471 Phone: (610) 825-6565
www.aaesports.com

BBS-30/SA

Assembly Instruction

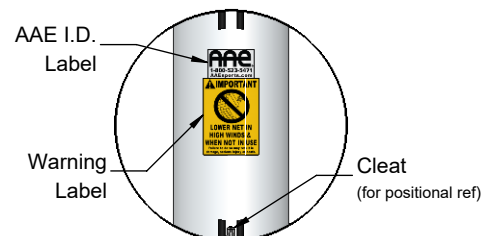
Right End Post



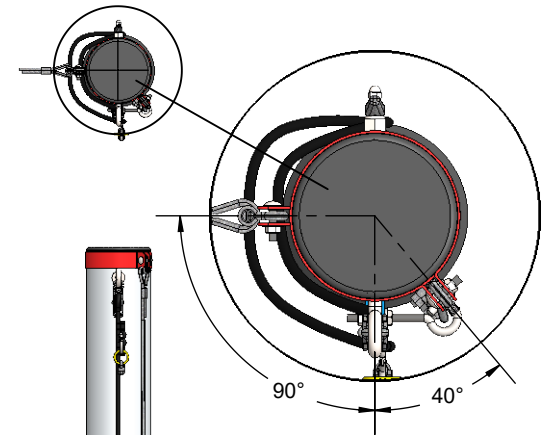
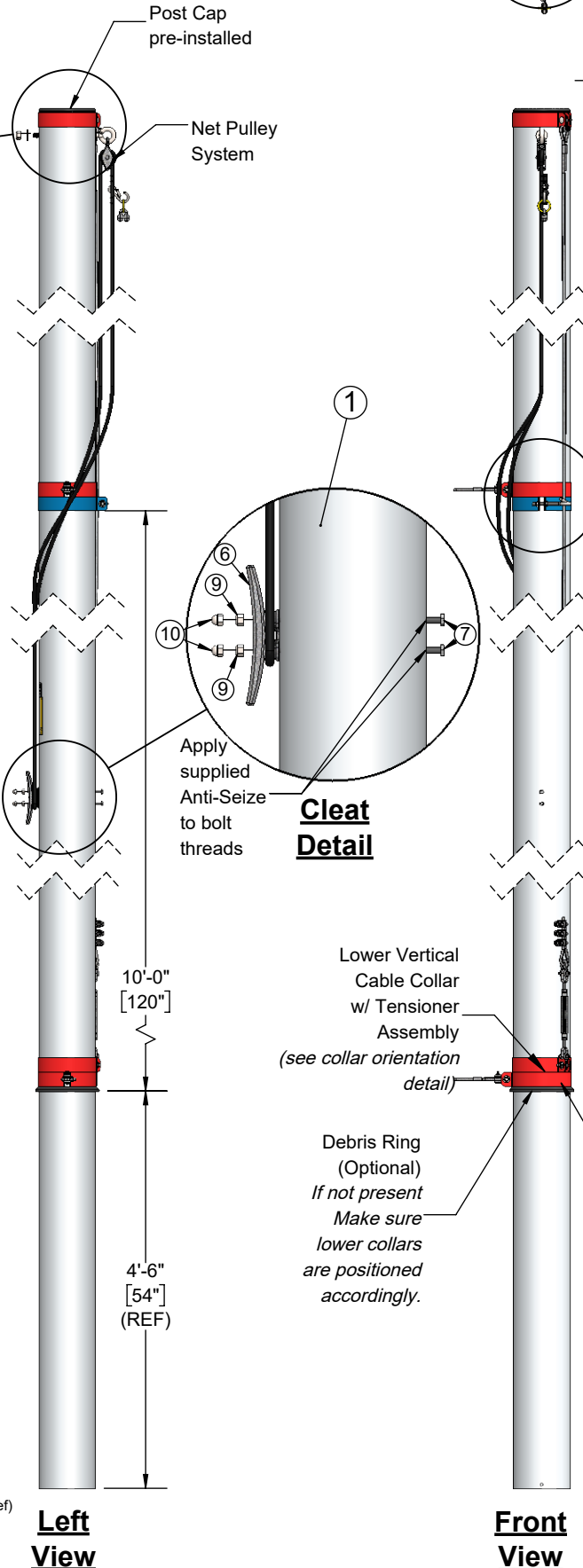
Eyebolt Detail

Installation Notes:

- Lower Collars:** From bottom of pole slide the lower vertical cable collar, lower horizontal collar and debris ring (*optional*) into position. To allow proper insertion into ground sleeve, lower most collar should be 54" from end of post. *Before securing collars into place make sure to rotate the lower vertical collar approx 40°. (refer to diagram)*
- Cleat:** Is to be installed so that it is on backside of post, opposite net. Screws will be inserted through post and cleat and secured on opposite of net side using self locking hex-nuts and cap nuts. (*refer to diagram*)
- Mid Collar Open Eyebolt:** Note orientation of collar on post. From top of pole slide the open eyebolt collar into position (*refer to diagram*) and secure into place.
- Mid Collar with Shackle:** Note orientation of collar on post. From top of pole slide the open eyebolt collar into position and, rotate approx 45° clockwise (*refer to diagram*) and secure into place.
- Eyebolt:** Pulley system comes preassembled to eyebolt. Install washer onto eyebolt then insert eyebolt with washer through front side of hole at top of post. From opposite side secure eyebolt into place using a flatwasher and Nylock hex-nut. (*refer to diagram*)
- Upper Collar:** From top of pole slide the upper vertical cable collar into position (collar should rest on eyebolt washers). Before securing into place make sure to rotate the collar approx 40°. (*refer to diagram*)
- Make sure warning labels are present on goal posts.

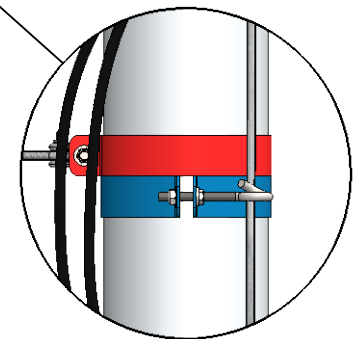


Note: Collars are Black in color, shown in different colors to aid in identification.



Collar Orientation Detail

(Note: **ONLY** vertical cable collars should be turned away from netting, this aids in tensioning the net)



Open Eyebolt Collar Detail



Anti-Seize (supplied by AAE)

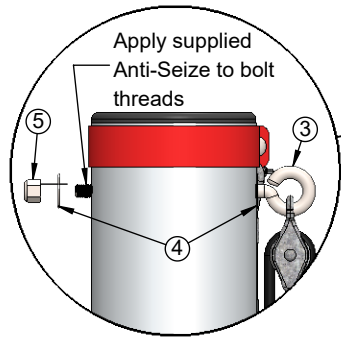
Lower Horizontal Cable Collar w/ Anchor Shackle for Crimped End Loop

Note: Post assembly should be done with post laying down on flat level surface.



Aluminum Athletic Equipment
 1000 Enterprise Drive, Royersford, PA 19468
 Toll Free: (800) 523-5471 Phone: (610) 825-6565
 www.aaesports.com

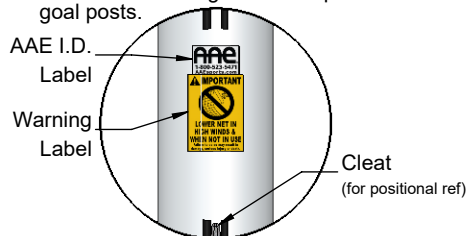
BBS-30/FA & /WA Assembly Instruction Right End Post



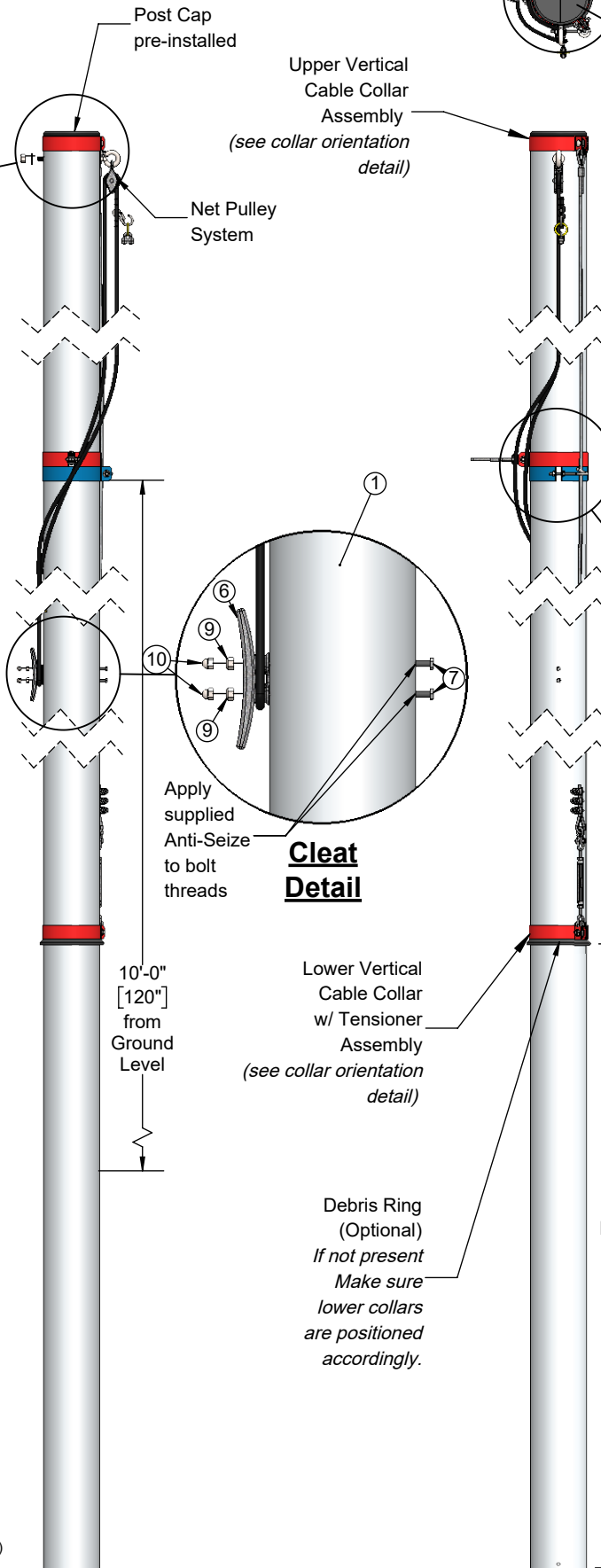
Eyebolt Detail

Installation Notes:

- Lower Collar(s):** From bottom of pole slide the lower vertical cable collar, lower horizontal collar and debris ring (*optional*) into position. To allow proper insertion into ground sleeve, lower most collar should be 54" + Height of Wall/Fence from end of post. *Before securing collars into place make sure to rotate the lower vertical collar approx 40° (refer to diagram)*
- Cleat:** Is to be installed so that it is on backside of post, opposite net. Screws will be inserted through post and cleat and secured on opposite of net side using self locking hex-nuts and cap nuts. (*refer to diagram*)
- Mid Collar Open Eyebolt:** Note orientation of collar on post. From top of pole slide the open eyebolt collar into position (*refer to diagram*) and secure into place.
- Mid Collar with Shackle:** Note orientation of collar on post. From top of pole slide the open eyebolt collar into position and , rotate approx 45° clockwise (*refer to diagram*) and secure into place.
- Eyebolt:** Pulley system comes preassembled to eyebolt. Install washer onto eyebolt then insert eyebolt with washer through front side of hole at top of post. From opposite side secure eyebolt into place using a flatwasher and Nylock hex-nut. (*refer to diagram*)
- Upper Collar:** From top of pole slide the upper vertical cable collar into position (collar should rest on eyebolt washers). Before securing into place make sure to rotate the collar approx 40°. (*refer to diagram*)
- Make sure warning labels are present on goal posts.



Note: Collars are Black in color, shown in different colors to aid in identification.



Left View

Front View

Collar Orientation Detail

(Note: **ONLY** vertical cable collars should be turned away from netting, this aids in tensioning the net)

Open Eyebolt Collar Detail



Anti-Seize (supplied by AAE)

Note: Post assembly should be done with post laying down on flat level surface.

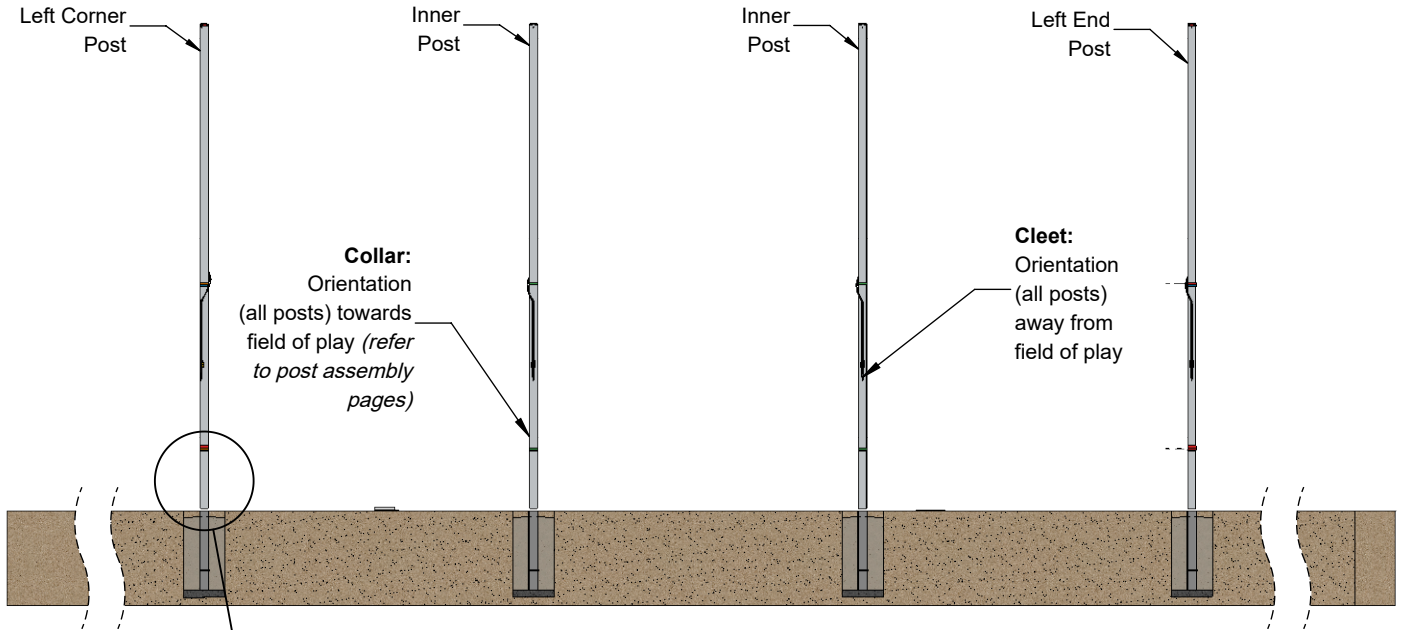


Aluminum Athletic Equipment
1000 Enterprise Drive, Royersford, PA 19468
Toll Free: (800) 523-5471 Phone: (610) 825-6565
www.aaesports.com

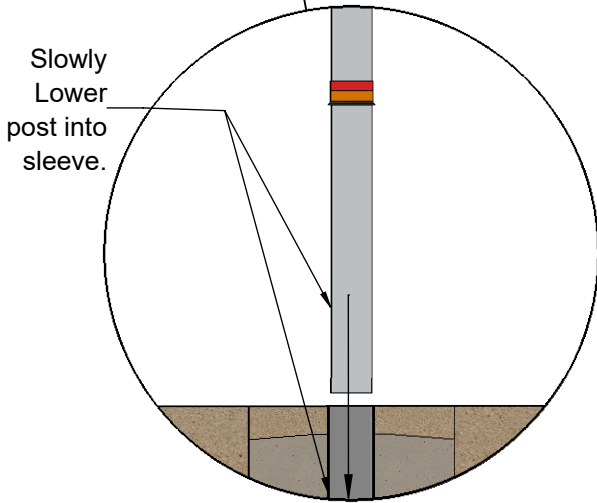
BBS-30/SA , /FA & /WA Assembly Instruction Posts to Groundsleeve

Note: Collars are Black in color, shown in different colors to aid in identification.

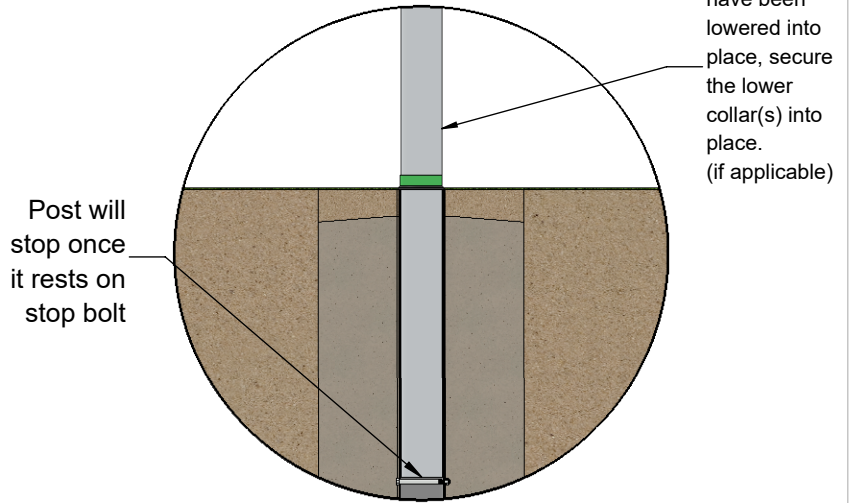
Note: number of inner posts may vary from what is shown.



View from First Base side



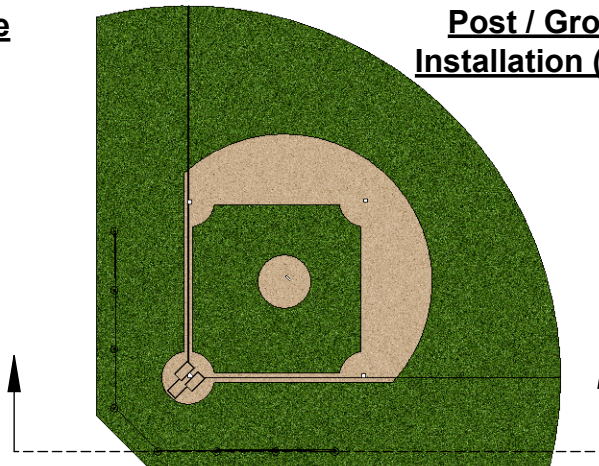
Post / Groundsleeve Installation



Post / Groundsleeve Installation (fully seated)

Installation Notes:

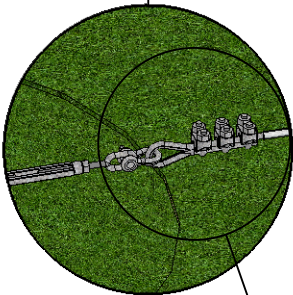
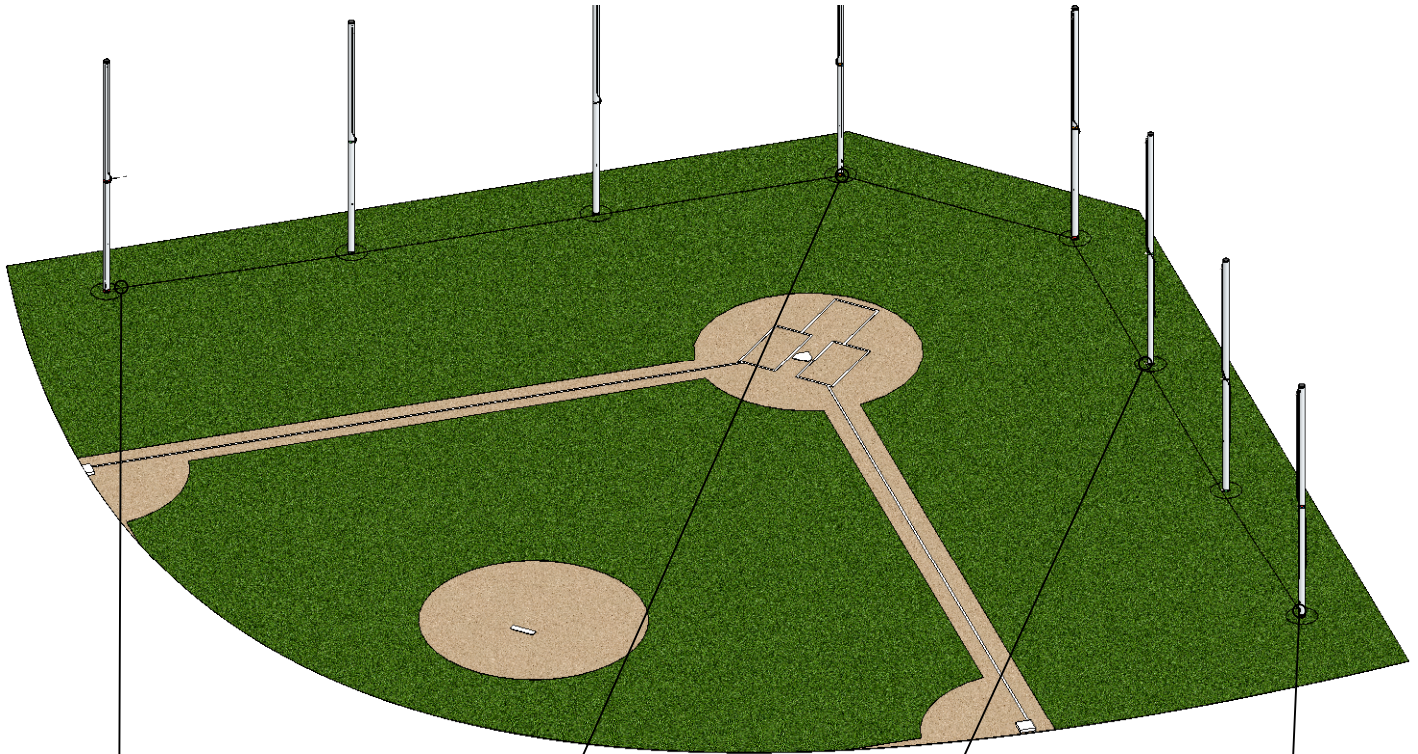
1. View above is from net side of post (*field of play*).
2. **Caution**, slowly lower posts into sleeves. Dropping post into sleeve may result in damage to the stop bolt.
3. Make sure all posts are orientated correctly. Pulley system towards field of play and cleft away from field of play. All lower horizontal cable collars should face field of play.
4. Once posts are correctly orientated, make sure the lower collars are properly orientated and secure them into place.



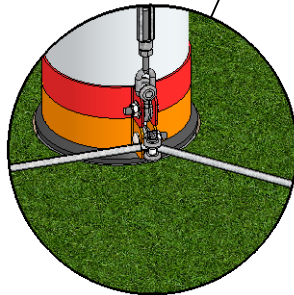
Aluminum Athletic Equipment
1000 Enterprise Drive, Royersford, PA 19468
Toll Free: (800) 523-5471 Phone: (610) 825-6565
www.aesports.com

BBS-30/SA **Assembly Instruction** **Lower Horizontal** **Support Cable**

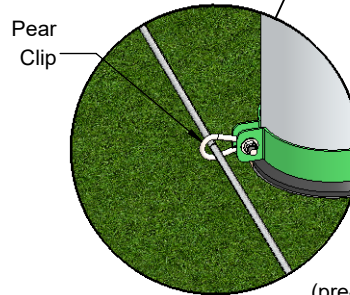
Note: Collars are Black in color, shown in different colors to aid in identification.



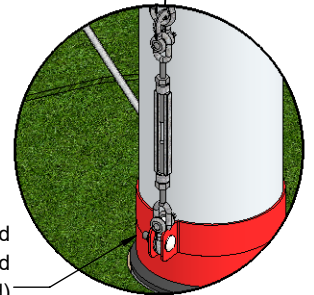
Left End Post Assembly



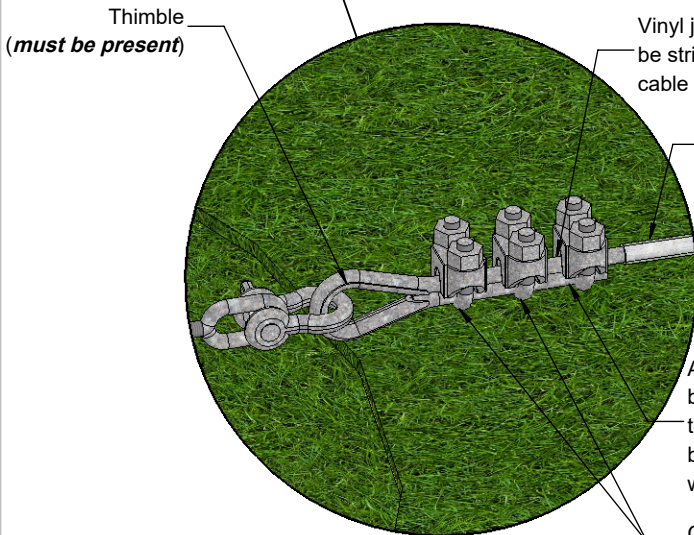
Corner Post Assembly



Inner Post Assembly



Right End Post Assembly



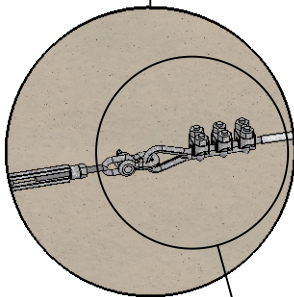
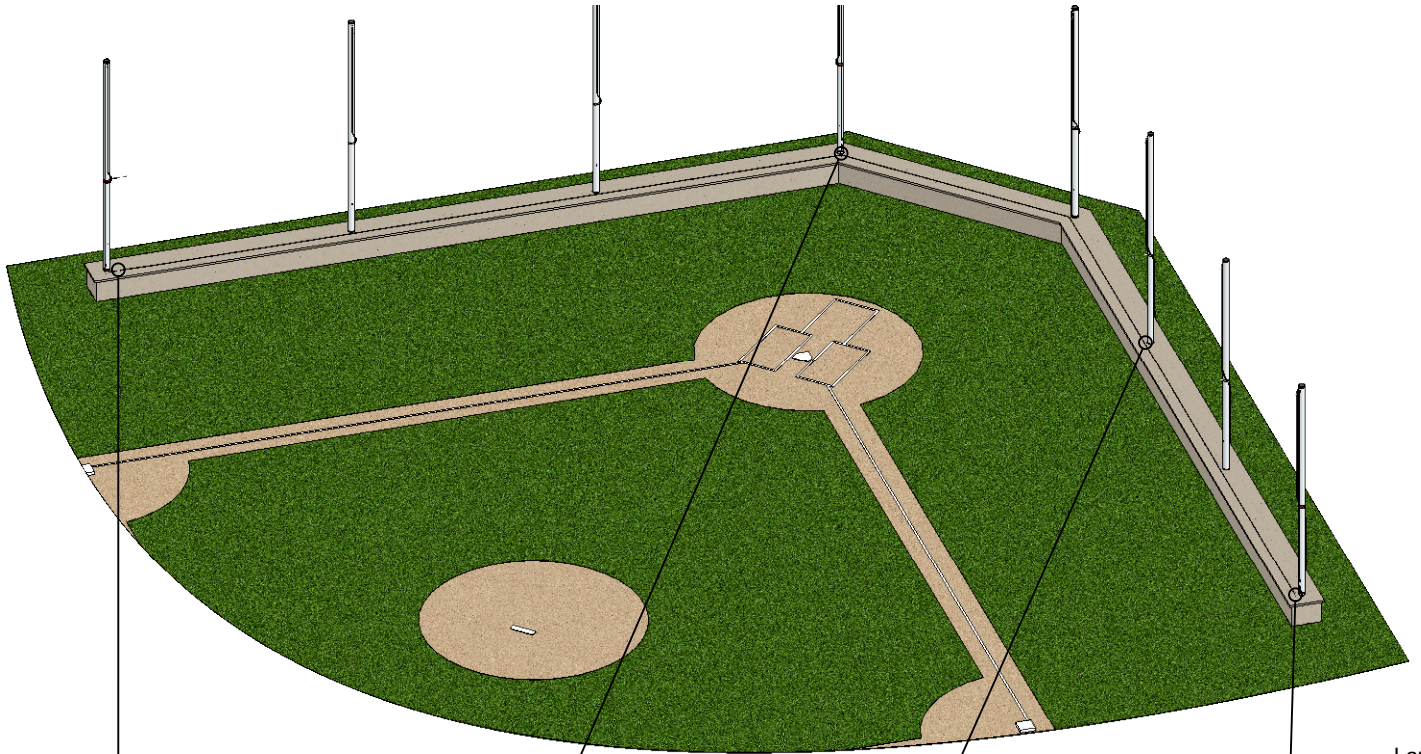
Clamped Loop End Detail

Installation Notes:

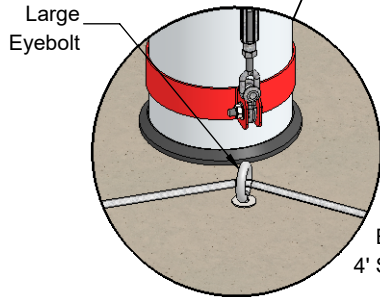
1. Refer to collar assembly diagram for further detail on collar and cable assembly.
2. Install Crimped Cable End to Right End Post collar using an anchor shackle.
3. Route cable to Left End Post. Snap cable into Pear Clips of the Inner Posts along the way and route inside of shackle on Corner Posts.
4. Before assembling Clamped Cable Loop End, fully open the turnbuckle.
5. With anchor shackle and thimble in place run cable thru the shackle as shown. Pull slack out of cable and mark vinyl sleeve approximately 4" from thimble end. Strip vinyl from mark location towards cable loop end.
6. With the slack still being pulled out of cable install and secure the cable clamps. The first clamp should butt up to the thimble, the second should be spaced approx. 1" on center from the first. Cable clamps must be gripping bare cable to ensure proper seating/grip.

BBS-30/WA Assembly Instruction Lower Horizontal Support Cable

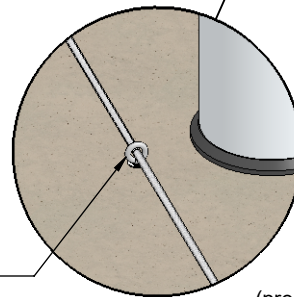
Note: Collars are Black in color, shown in different colors to aid in identification.



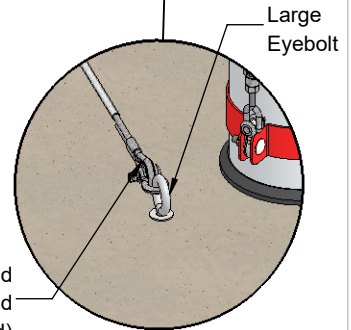
Left End Post Assembly



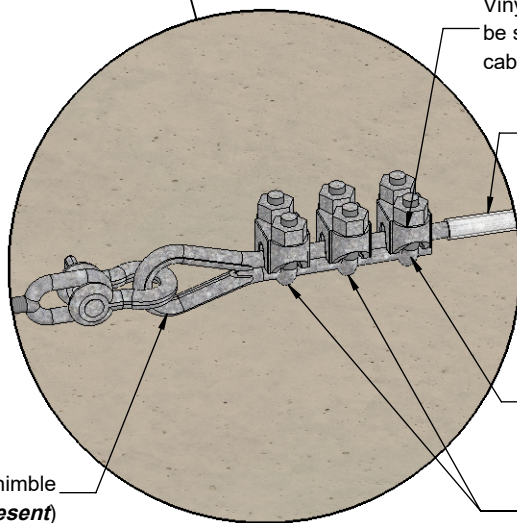
Corner Post Assembly



Inner Post Assembly



Right End Post Assembly



Clamped Loop End Detail

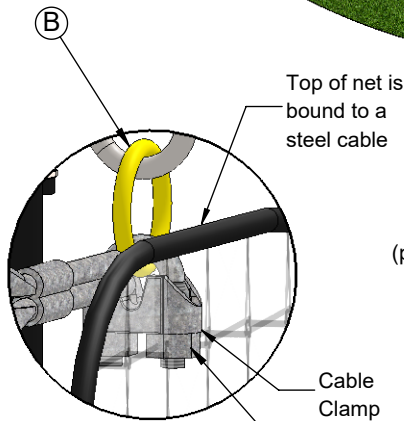
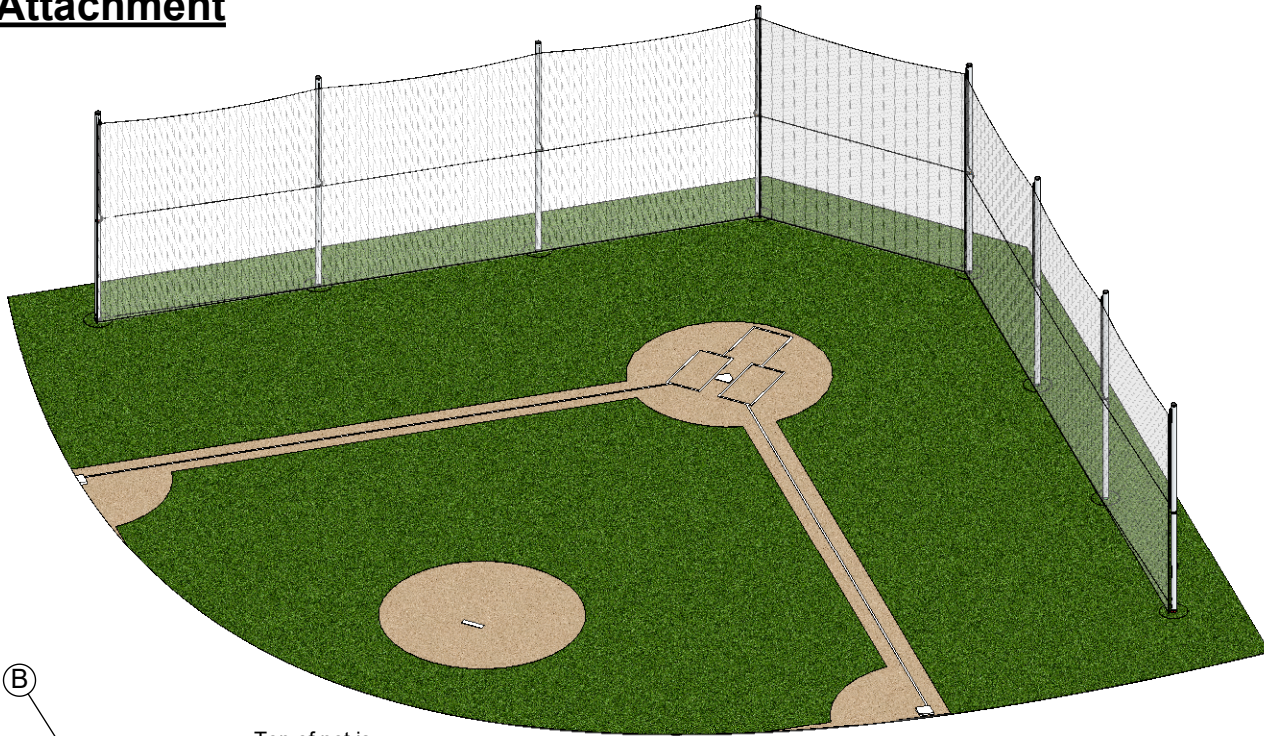
Installation Notes:

1. Refer to collar assembly diagram for further detail on collar and cable assembly.
2. Install Crimped Cable End to Right End Post Large Eyebolt using an anchor shackle.
3. Route cable to Left End Post. Make sure to route cable thru Small & Large Eyebolts installed to top of wall.
4. Before assembling Clamped Cable Loop End, fully open the turnbuckle.
5. With anchor shackle and thimble in place run cable thru the shackle as shown. Pull slack out of cable and mark vinyl sleeve approximately 4" from thimble end. Strip vinyl from mark location towards cable loop end.
6. With the slack still being pulled out of cable install and secure the cable clamps. The first clamp should butt up to the thimble, the second should be spaced approx. 1" on center from the first. Cable clamps must be gripping bare cable to ensure proper seating/grip.

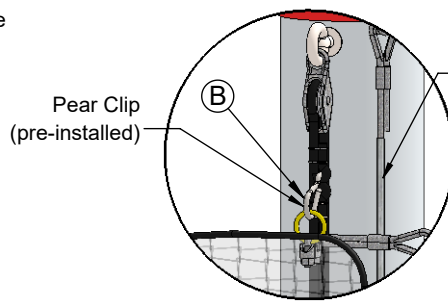


BBS-30/SA Assembly Instruction Net Attachment

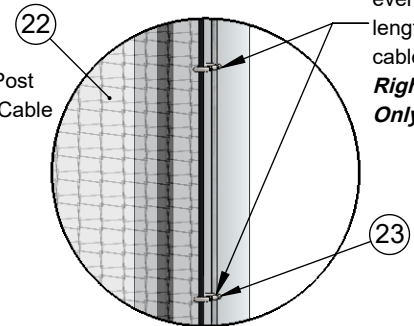
Note: Collars are Black in color, shown in different colors to aid in identification.



**Brass Ring
Detail A**



**Hoist System
Detail B**

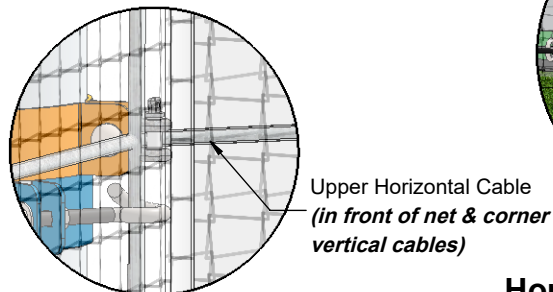


**Net to End Post
Vertical Support Cable
Detail C**

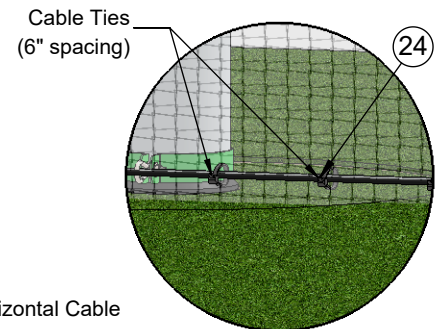
Installation Notes:

1. Lay net on ground across span of posts. *Make sure net is centered across span of posts.*
2. Using a Pear Clip Secure upper net corners to End Post Vertical Support Cables (*as shown in Detail C*)
3. Secure Brass Rings to top of net using Cable Clamp (*as shown in Detail A*). One ring and clamp per post and they should be centered as close as possible to its coinciding post.
4. After Brass Rings have been secured to net, clip ring into it's posts hoist system Pear Clip (*as shown in Detail B*).
5. As net is being raised make sure to secure net sides to the end post vertical support cables using provided **Pear Clips** (*refer to Detail C*). Pear Clips should be spaced approx. 12" or 9 net squares.
6. Once net has been completed raised tie hoist ropes onto cleat. Connect and tension the clamped loop ends of the **Corner Post Vertical Cables**.
7. Next install the **Upper Horizontal Cable**. Process for installation is the same as the Lower Horizontal cable. Difference being to make sure to run cable so that the net and corner post vertical support cables are between it and the posts, (*refer to Detail D*).
8. Lastly using provided **Cable Ties** spaced 6" apart, secure bottom of net to lower horizontal cable, (*refer to Detail E*).

Note: Hardware denoted "B" is included in item #3 "Hoist Rope"



**Upper Horizontal & Corner
Vertical Support Cables
Detail D**
(Left Corner Post config shown)

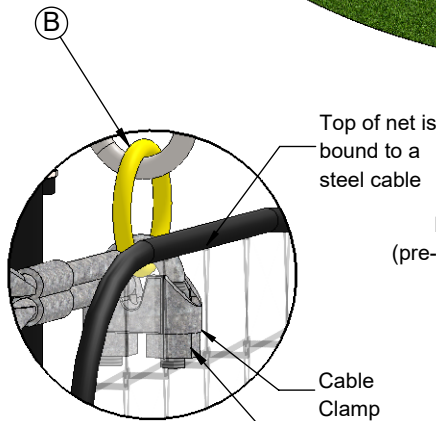
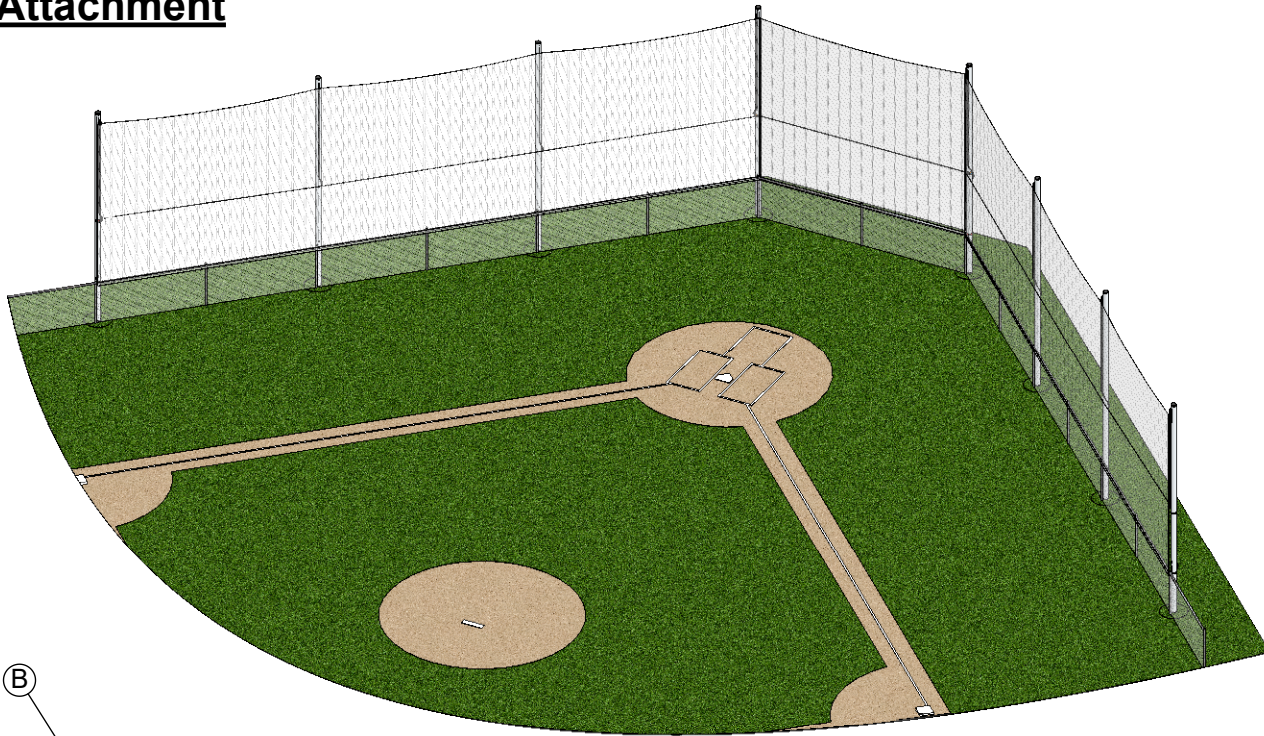


**Net to Lower
Horizontal Support Cable
Detail E**

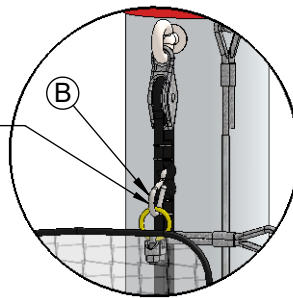


BBS-30 Assembly Instruction Net Attachment

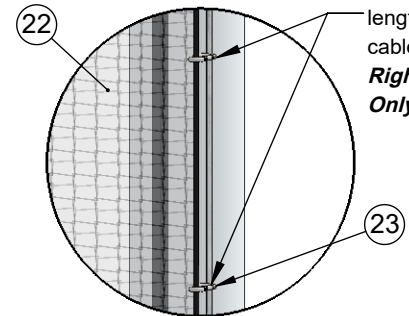
Note: Collars are Black in color, shown in different colors to aid in identification.



**Brass Ring
Detail A**



**Hoist System
Detail B**



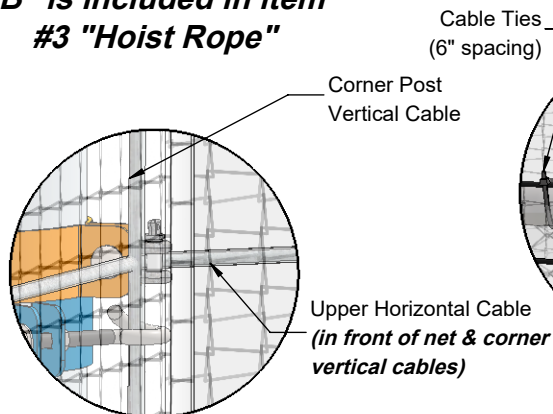
**Net to End Post
Vertical Support Cable
Detail C**

Pear Clips
Spaced approx.
every 12", entire
length of vertical
cable (**Left and
Right End Posts
Only**)

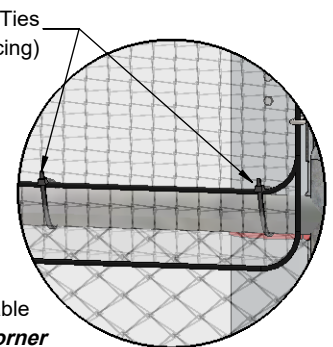
Installation Notes:

1. Lay net on ground across span of posts. *Make sure net is centered across span of posts.*
2. Using a Pear Clip Secure upper net corners to End Post Vertical Support Cables (*as shown in Detail C*)
3. Secure Brass Rings to top of net using Cable Clamp (*as shown in Detail A*). One ring and clamp per post and they should be centered as close as possible to its coinciding post.
4. After Brass Rings have been secured to net, clip ring into it's posts hoist system Pear Clip (*as shown in Detail B*).
5. As net is being raised make sure to secure net sides to the end post vertical support cables using provided **Pear Clips** (*refer to Detail C*). Pear Clips should be spaced approx. 12" or 9 net squares.
6. Once net has been completed raised tie hoist ropes onto cleat. Connect and tension the clamped loop ends of the **Corner Post Vertical Cables**.
7. Next install the **Upper Horizontal Cable**. Process for installation is the same as the Lower Horizontal cable. Difference being to make sure to run cable so that the net and corner post vertical support cables are between it and the posts, (*refer to Detail D*).
8. Lastly using provided **Cable Ties** spaced 6" apart, secure net offset border to fence rail, (*refer to Detail E*).

Note: Hardware denoted "B" is included in item #3 "Hoist Rope"



**Upper Horizontal & Corner
Vertical Support Cables
Detail D
(Left Corner Post config shown)**



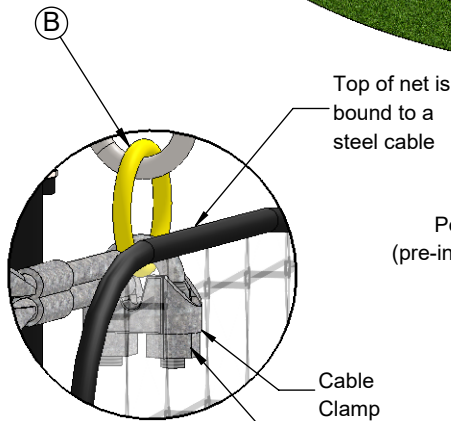
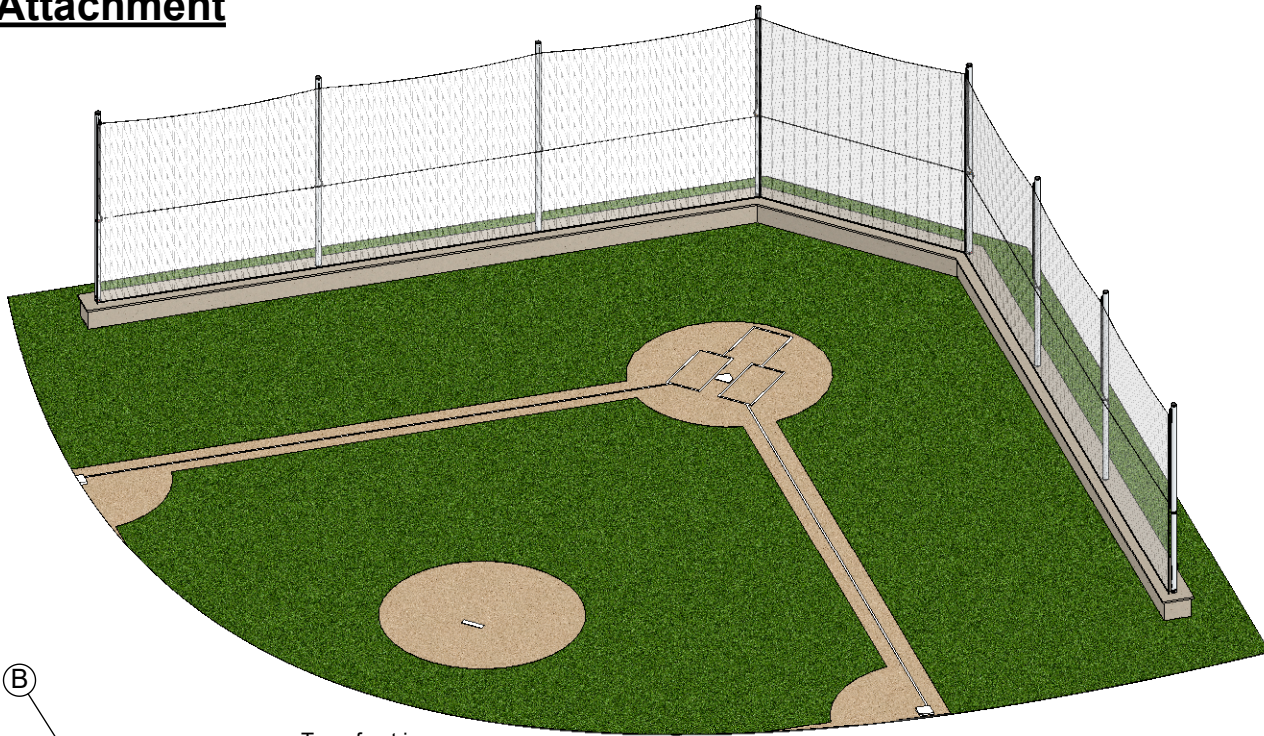
**Net to Lower
Horizontal Support Cable
Detail E**



Aluminum Athletic Equipment
1000 Enterprise Drive, Royersford, PA 19468
Toll Free: (800) 523-5471 Phone: (610) 825-6565
www.aaesports.com

BBS-30/WA Assembly Instruction Net Attachment

Note: Collars are Black in color, shown in different colors to aid in identification.

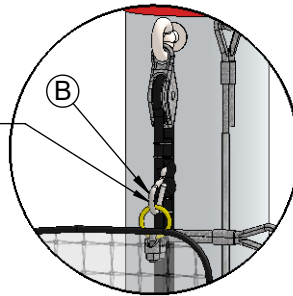


**Brass Ring
Detail A**

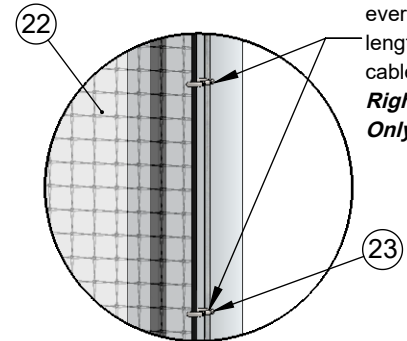
Top of net is bound to a steel cable

Pear Clip (pre-installed)

Cable Clamp



**Hoist System
Detail B**



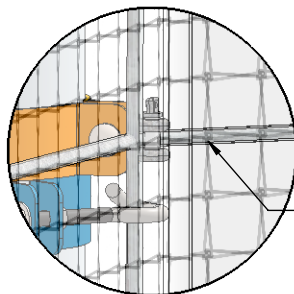
**Net to End Post
Vertical Support Cable
Detail C**

Pear Clips Spaced approx. every 12", entire length of vertical cable (**Left and Right End Posts Only**)

Installation Notes:

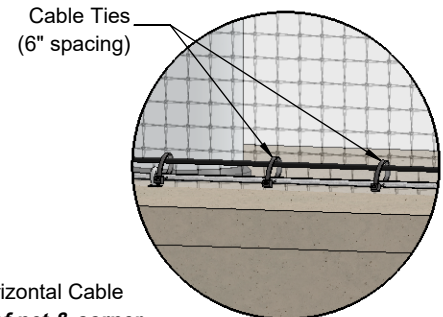
1. Lay net on ground across span of posts. *Make sure net is centered across span of posts.*
2. Using a Pear Clip Secure upper net corners to End Post Vertical Support Cables (*as shown in Detail C*)
3. Secure Brass Rings to top of net using Cable Clamp (*as shown in Detail A*). One ring and clamp per post and they should be centered as close as possible to its coinciding post.
4. After Brass Rings have been secured to net, clip ring into it's posts hoist system Pear Clip (*as shown in Detail B*).
5. As net is being raised make sure to secure net sides to the end post vertical support cables using provided **Pear Clips** (*refer to Detail C*). Pear Clips should be spaced approx. 12" or 9 net squares.
6. Once net has been completed raised tie hoist ropes onto cleat. Connect and tension the clamped loop ends of the **Corner Post Vertical Cables**.
7. Next install the **Upper Horizontal Cable**. Process for installation is the same as the Lower Horizontal cable. Difference being to make sure to run cable so that the net and corner post vertical support cables are between it and the posts, (*refer to Detail D*).
8. Lastly using provided **Cable Ties** spaced 6" apart, secure bottom of net to lower horizontal cable, (*refer to Detail E*).

Note: Hardware denoted "B" is included in item #3 "Hoist Rope"



**Upper Horizontal & Corner
Vertical Support Cables
Detail D**
(Left Corner Post config shown)

Upper Horizontal Cable (in front of net & corner vertical cables)



**Net to Lower
Horizontal Support Cable
Detail E**

