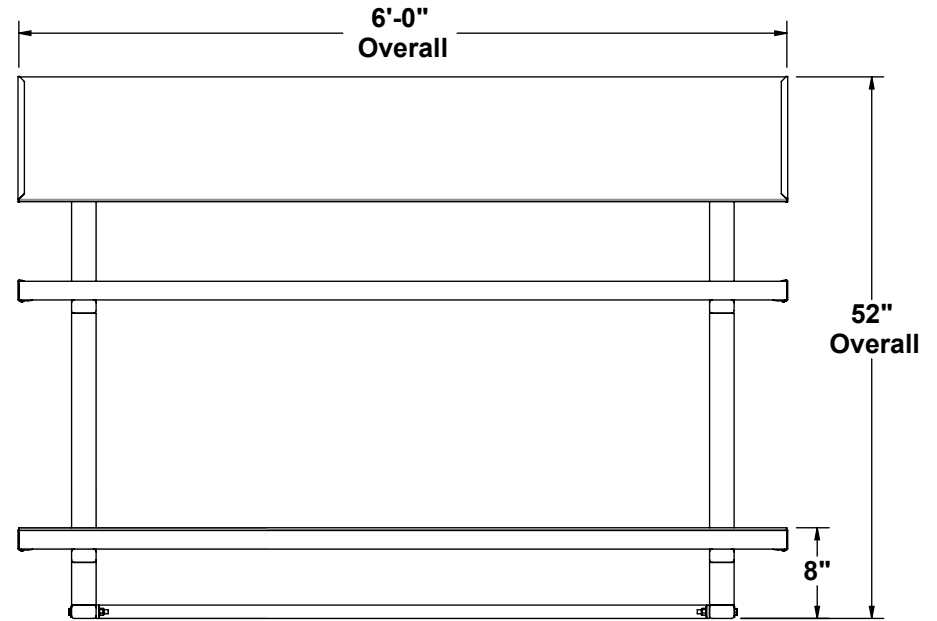
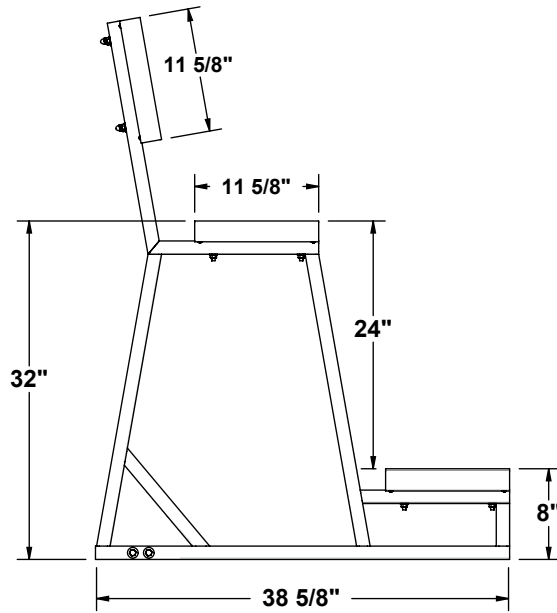


BPB - Bull Pen Bench

Specifications



Anodized Aluminum Seat Planks
11 5/8"

Bottom Support Brace
2 3/8" x 1 1/4" x 1/8" wall
w/ welded mounting plates

Welded Aluminum Bench Support
2 3/8" x 1 1/4" x 1/8" wall

1/4" Surface Flexitan Rubber (for spikes)

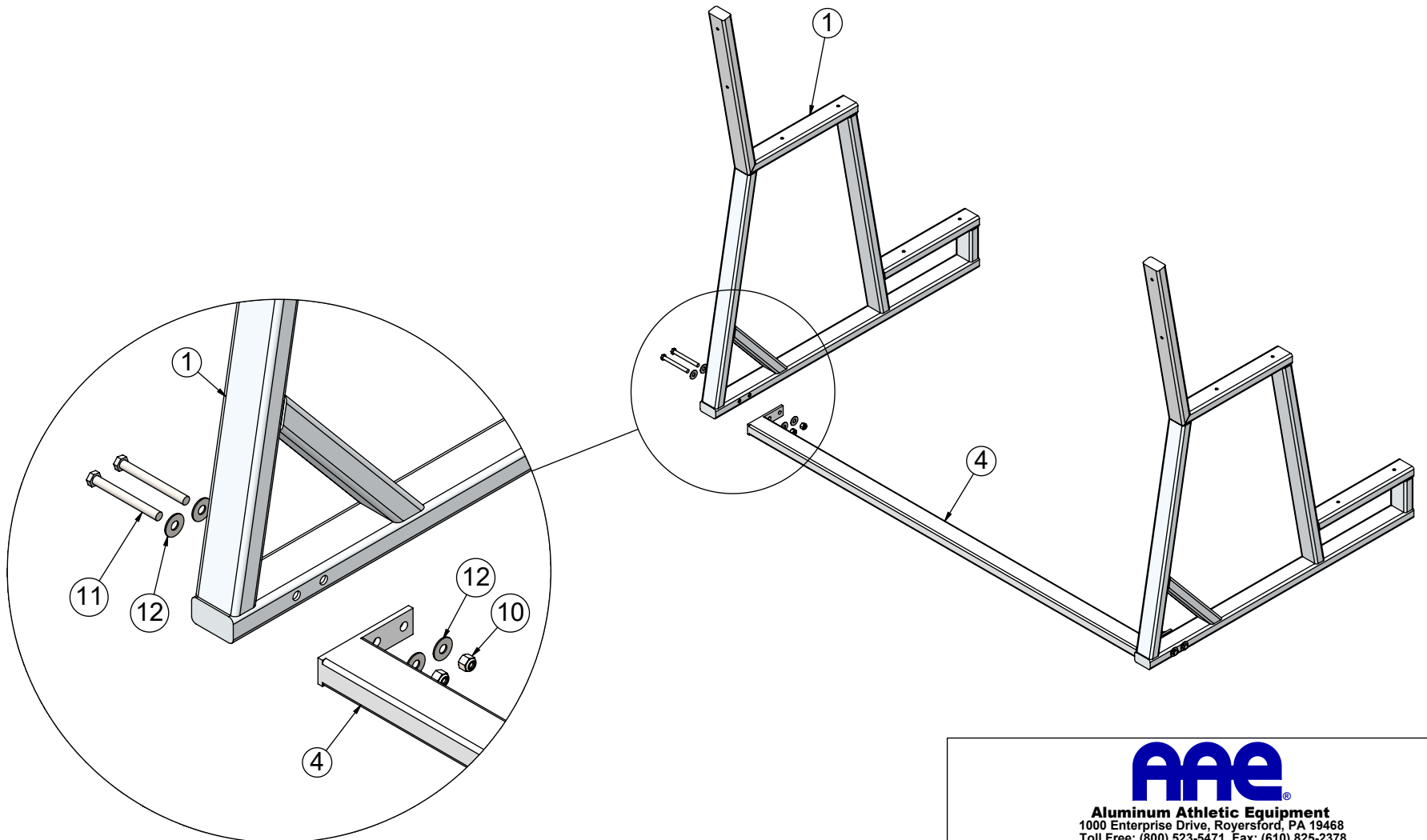


Aluminum Athletic Equipment
1000 Enterprise Drive, Royersford, PA 19468
Toll Free: (800) 523-5471 Fax: (610) 825-2378
www.AAEsports.com

DESCRIPTION: BPB - Bull Pen Bench - Specifications		
NOTE: AAE Original - Washington Nationals - 6' Long		
MODEL: BPB	CATEGORY: CUSTOMER	DATE: 6/14/05
DWN. BY: CED	CAD FILE: BPB - Specifications	DWG. NO. BPB-C-001

BPB - Bull Pen Bench

Assembly Step 1



DETAIL A
SCALE 1 : 6

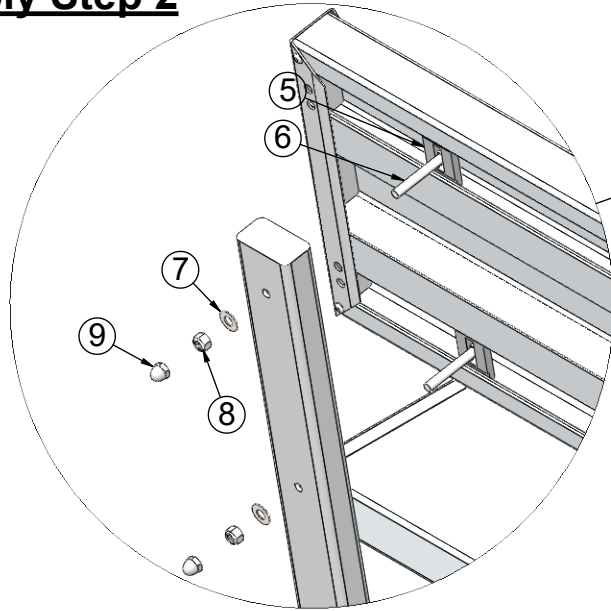


Aluminum Athletic Equipment
1000 Enterprise Drive, Royersford, PA 19468
Toll Free: (800) 523-5471 Fax: (610) 825-2378
www.AAEsports.com

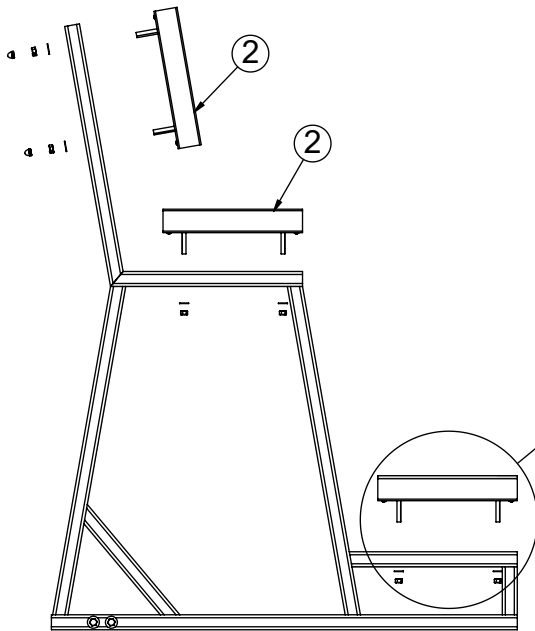
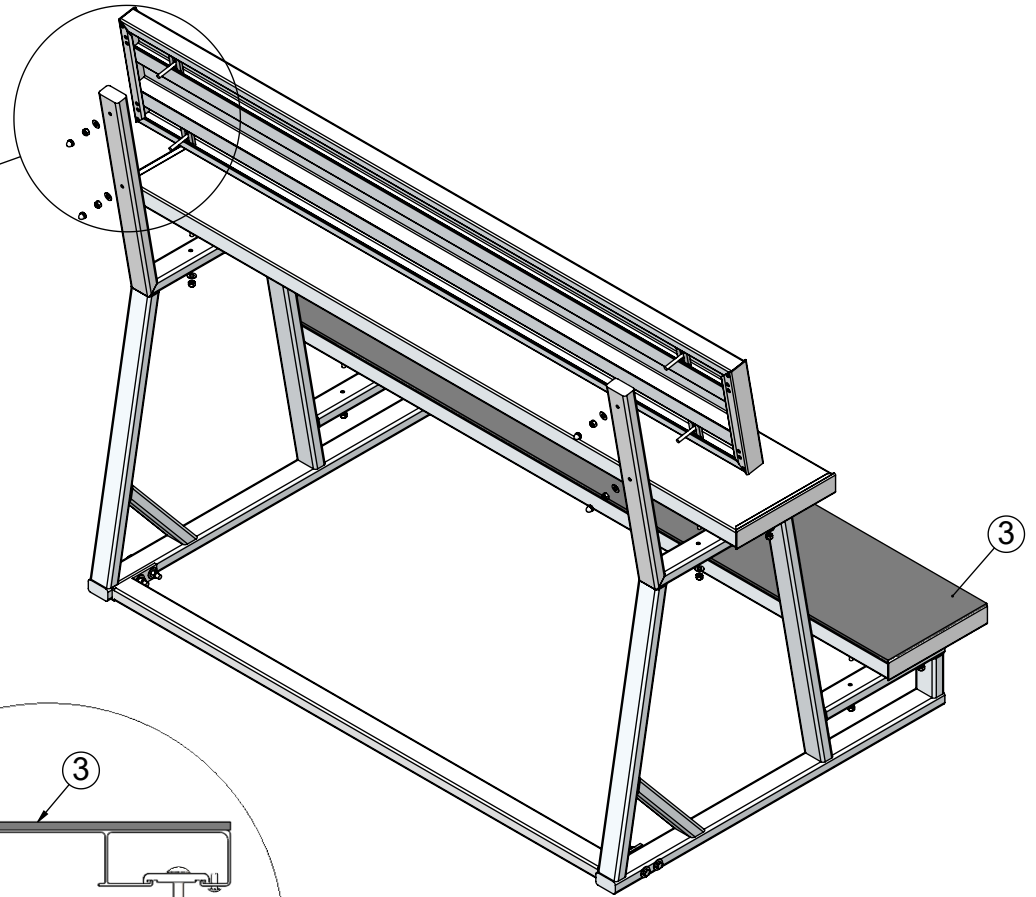
DESCRIPTION:		
Assembly Step 1, Seat Support & Bottom Support		
NOTE: Specifications		
MODEL:	CATEGORY:	DATE:
BPB	CUSTOMER	1/11/2022
DWN. BY:	CAD FILE:	DWG. NO.:
CED	BPB - Customer Specifications	BPB-C-002

BPB - Bull Pen Bench


Assembly Step 2



DETAIL B
SCALE 1 : 6



DETAIL C
SCALE 1 : 6

 Aluminum Athletic Equipment 1000 Enterprise Drive, Royersford, PA 19468 Toll Free: (800) 523-5471 Fax: (610) 825-2378 www.AAEsports.com		
DESCRIPTION:		
Assembly Step 2, Plank Attachment		
NOTE:		
Backrest, Seat, & Footrest		
MODEL:	CATEGORY:	DATE:
BPB	CUSTOMER	1/11/2022
DWN. BY:	CAD FILE:	DWG. NO.:
CED	BPB - Customer Specifications	BPB-C-003

BPB - Bull Pen Bench

Parts List

ITEM NO.	DESCRIPTION	QTY.
1	BPB Seat Support	2
2	11-5/8" Aluminum Seat & Backrest	2
3	Rubberized Plank	1
4	Bottom Groundbar Support	1
5	Seat Clip	12
6	5/16-18 X 2-1/4" CGE BOLT 18.8 S/S	12
7	5/16" Flat Washer S/S	12
8	5/16"-18, Nylon Insert Lock Nut, SS	12
9	5/16"-18, Cap Nut, SS	4
10	3/8"-16, Nylon Insert Lock Nut, SS	4
11	3/8"-16 x 3-1/2" Hex Bolt, SS	4
12	3/8 x 1" OD x .064" thk F/W S/S #815	8

Note: Parts listed are per Bull Pen Bench



Aluminum Athletic Equipment
 1000 Enterprise Drive, Royersford, PA 19468
 Toll Free: (800) 523-5471 Fax: (610) 825-2378
www.AAEsports.com

DESCRIPTION:		
Bull Pen Bench Parts List		
NOTE:		
MODEL:	CATEGORY:	DATE:
BPB	CUSTOMER	1/11/2022
DWN. BY:	CAD FILE:	DWG. NO.:
CED	BPB - Customer Specifications	BPB-C-004