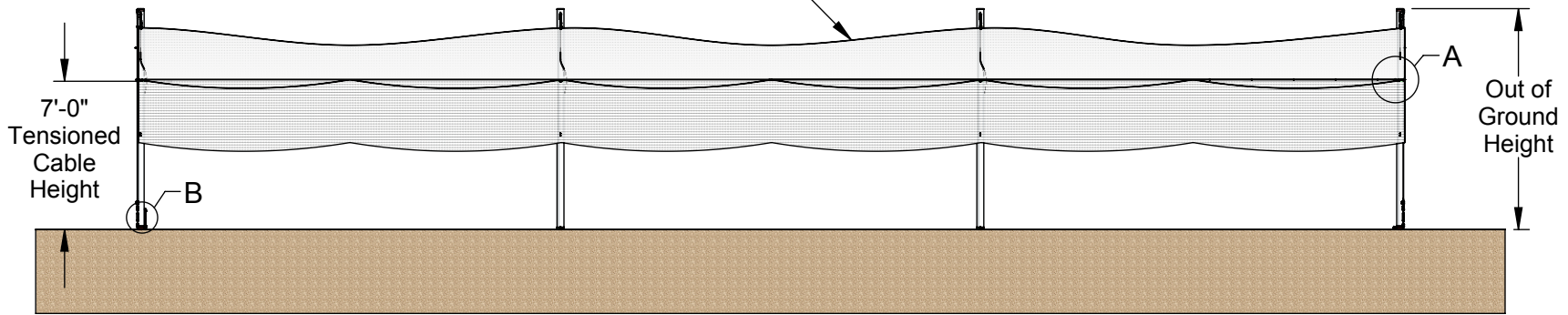


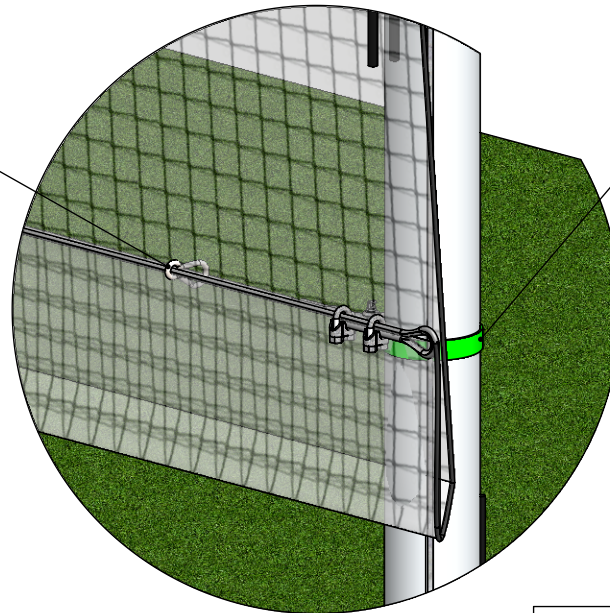
BS-NLC Specifications

Shown in use with MBS-10 System

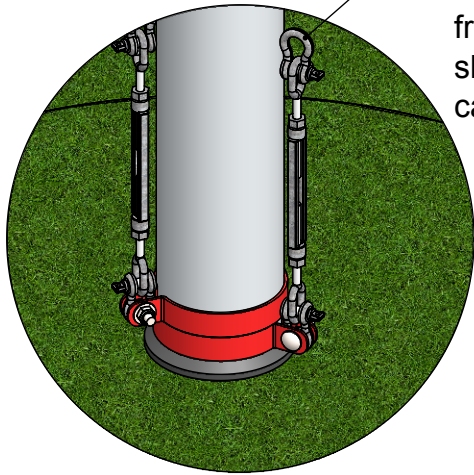


Pear clips are used to attach the lower cable to the middle tensioned cable

Lower Tensioned cable is detached from the anchor shackles but kept cable-tied to the net



Model No. BS-NLC
Turnbuckle and tensioned cable assembly set at 7'-0" above ground level



DETAIL B
SCALE 1 : 6

DETAIL A
SCALE 1 : 8

Model No.:	System Height:
BS-NLC/4	10', 15', 20'
BS-NLC/6	25', 30'
BS-NLC/8	35', 40'



Aluminum Athletic Equipment
1000 Enterprise Drive, Royersford, PA 19468
Toll Free: (800) 523-5471 Fax: (610) 825-2378
www.AAEsports.com

DESCRIPTION:			BallStopper-Net Lifting Cable
NOTE:			7'-0" Above ground tensioned cable
MODEL:	CATEGORY:	DATE:	
BS-NLC	CUSTOMER	11/7/2018	
DWN. BY:	CAD FILE:	DWG. NO.:	
CED	BS-NLC Specifications	BS-NLC-C-001	