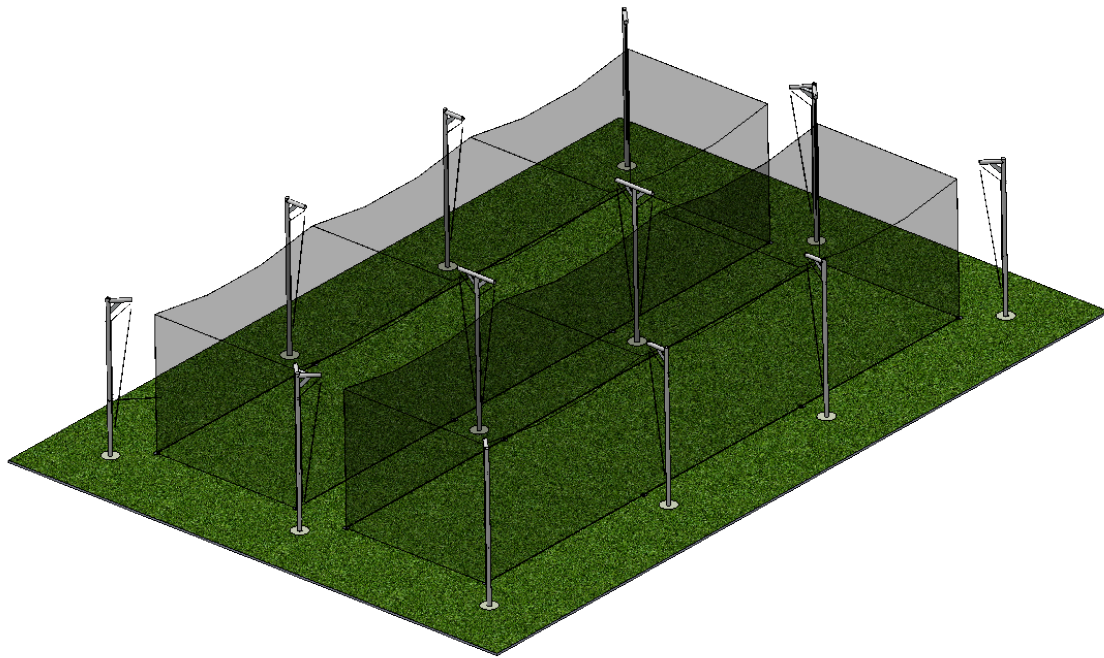


**BT-141455-DUAL**  
**Side-by-Side Batting Tunnels**  
**14'H x 14'W x 55'L**



**Aluminum Athletic Equipment**  
1000 Enterprise Drive, Royersford, PA 19468  
Toll Free: (800) 523-5471 Fax: (610) 825-2378  
[www.AAEsports.com](http://www.AAEsports.com)

# BT-141455-DUAL - Side-by-Side Batting Tunnels

## Two 14'H x 14'W x 55'L

### Specifications & Accessories

4" x .125" wall aluminum uprights (6061T6, mill finish standard) with welded offset arms and supports (x4 r-shaped [1B], x2 T-shaped [1C])

\*OPTIONAL: BT-PC

- Black powdercoat finish available

4" x .226" wall aluminum uprights (6061T6, mill finish standard) with welded offset arms and supports (x4 r-shaped [1A], x2 Y-shaped [1D])

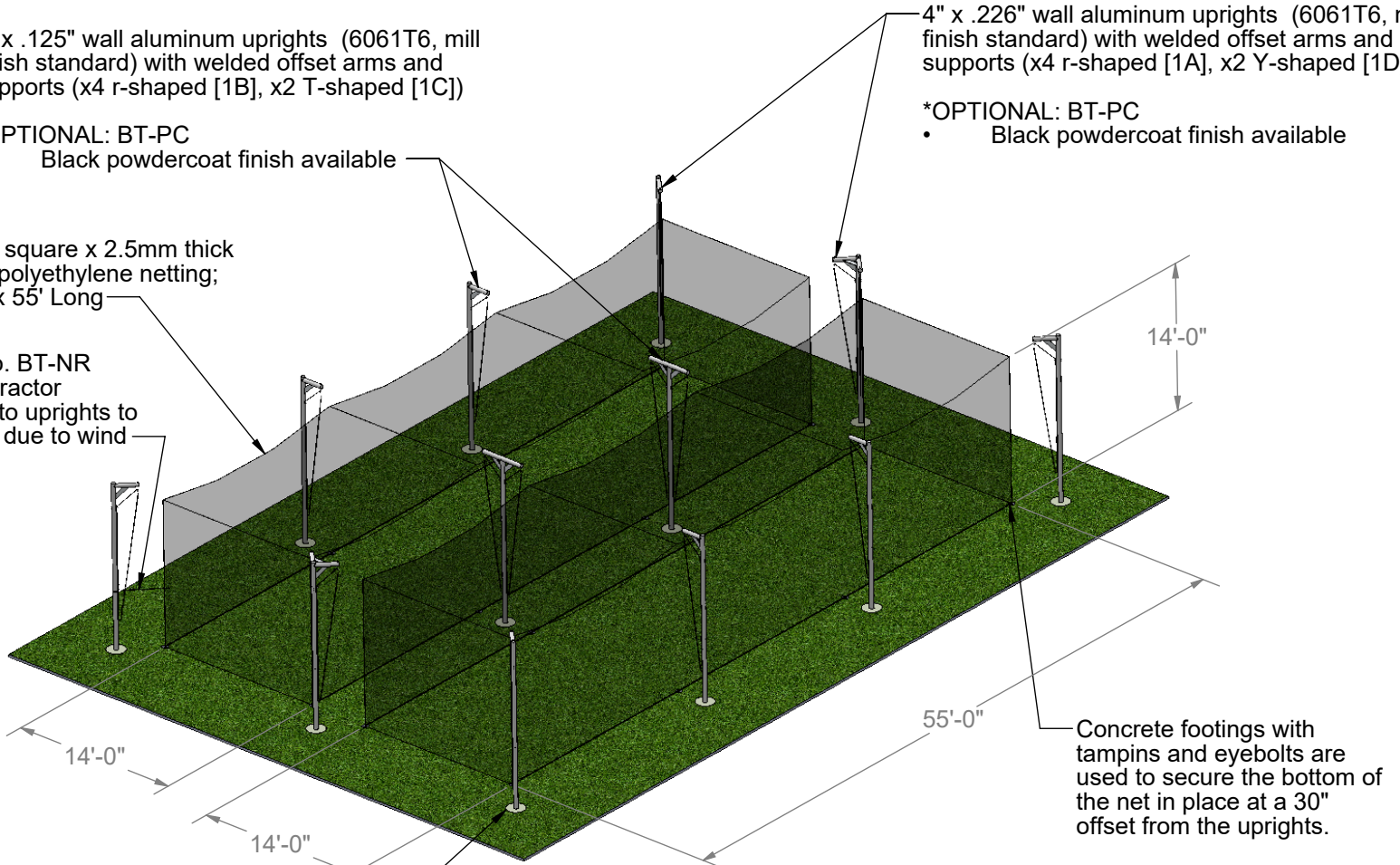
\*OPTIONAL: BT-PC

- Black powdercoat finish available

Main net (x2): 1-3/4" square x 2.5mm thick braided, UV-treated polyethylene netting; 14' High x 14' Wide x 55' Long

\*OPTIONAL: Model No. BT-NR Batting Tunnel Net Retractor

- Secures netting to uprights to reduce billowing due to wind



Uprights install into 30" deep aluminum ground sleeves, eliminating the need for tedious tie-down cables extending beyond the posts

Concrete footings with tampins and eyebolts are used to secure the bottom of the net in place at a 30" offset from the uprights.



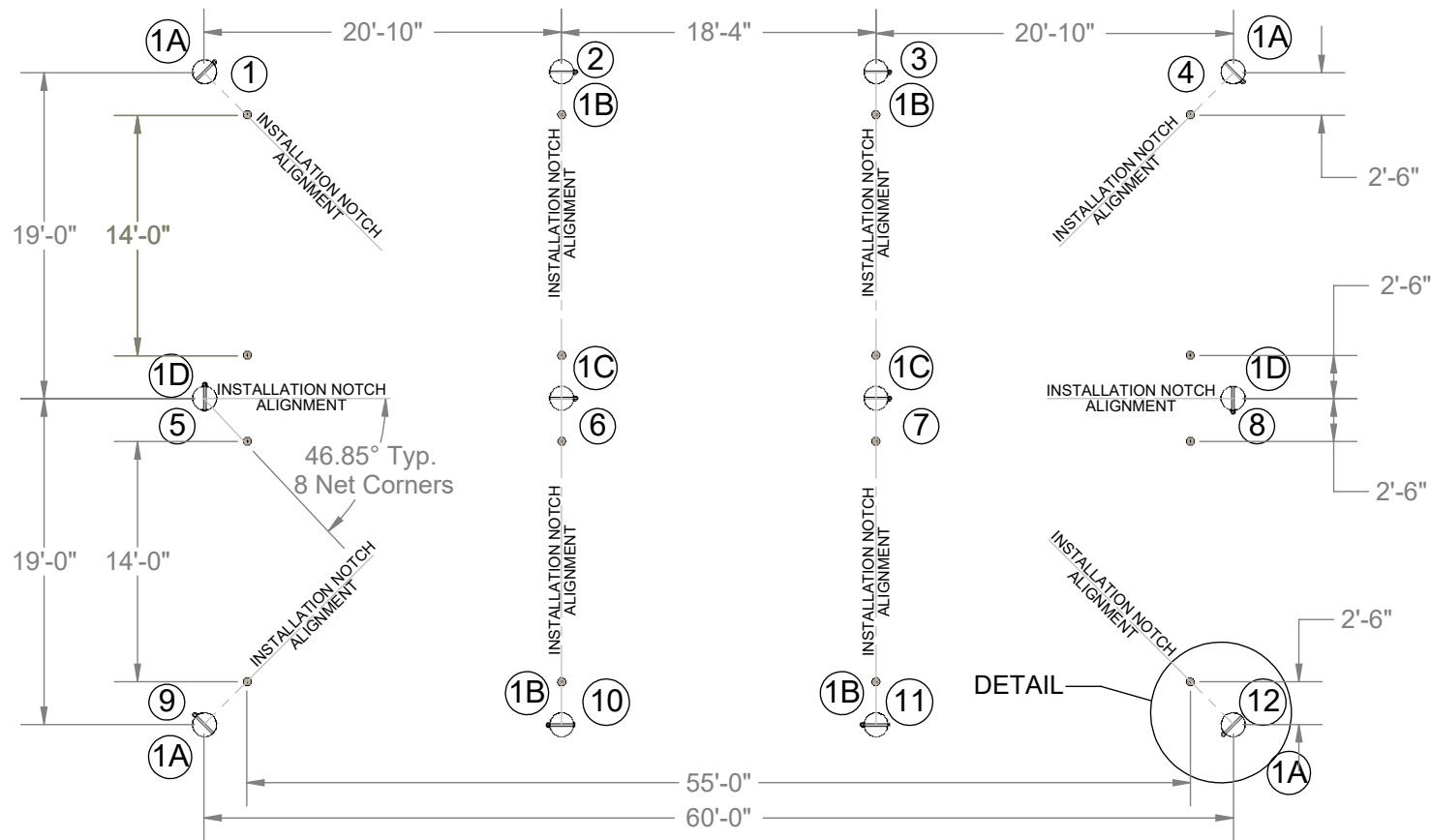
**Aluminum Athletic Equipment**  
 1000 Enterprise Drive, Royersford, PA 19468  
 Toll Free: (800) 523-5471 Fax: (610) 825-2378  
[www.AAEsports.com](http://www.AAEsports.com)

DESCRIPTION:		
<b>BT-141455-DUAL - Side-by-Side Batting Tunnels</b>		
NOTE: Two 14'H x 14'W x 55'L Batting Tunnels: Specifications & Accessories		
MODEL:	CATEGORY:	DATE:
BT-141455-DUAL	<b>CUSTOMER</b>	rev-1. 04/07/25 07/13/11
DWN. BY:	CAD FILE:	DWG. NO.
CED	BT-141455-DUAL Packet	BT-141455-DUAL-C-001

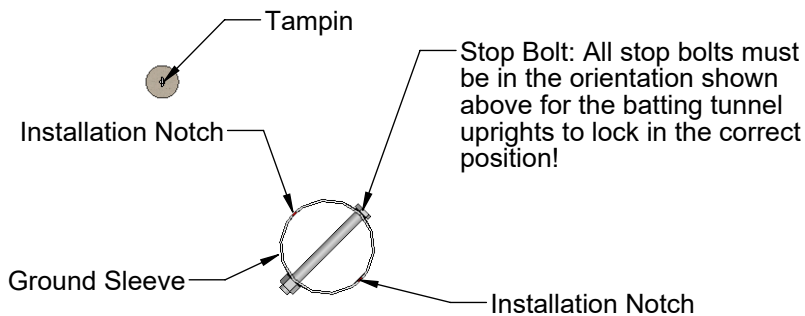
# BT-141455-DUAL - Side-by-Side Batting Tunnels

## Two 14'H x 14'W x 55'L

### Ground Sleeve and Upright Layout



**IMPORTANT: Note orientation of stopbolts when installing ground sleeves!!**



#### Upright Types:

- 1A: r-style uprights, heavy-wall used on outer corners
- 1B: r-style uprights, light-wall used on outer line
- 1C: T-style uprights, used between tunnels
- 1D: Y-style uprights, used on corners between tunnels

#### Additional Notes:

- $\varnothing$  4 3/8" OD x .125" wall all alum. (6061T6) ground sleeves
- All stainless steel hardware

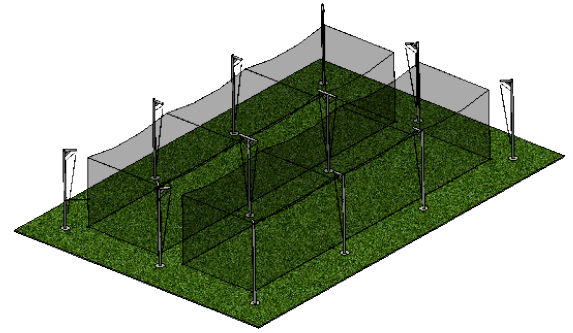
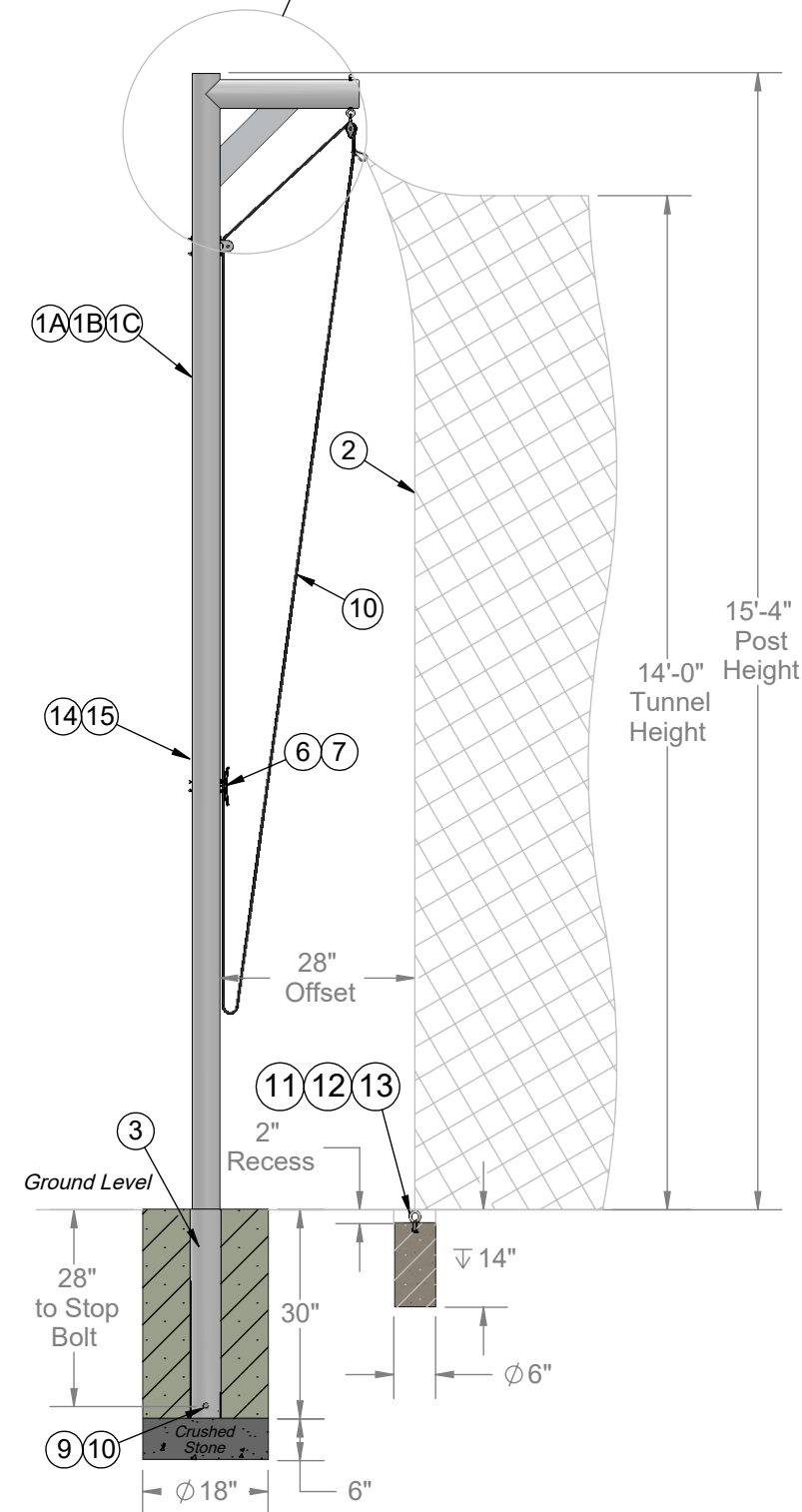


**Aluminum Athletic Equipment**  
 1000 Enterprise Drive, Royersford, PA 19468  
 Toll Free: (800) 523-5471 Fax: (610) 825-2378  
[www.AAEsports.com](http://www.AAEsports.com)

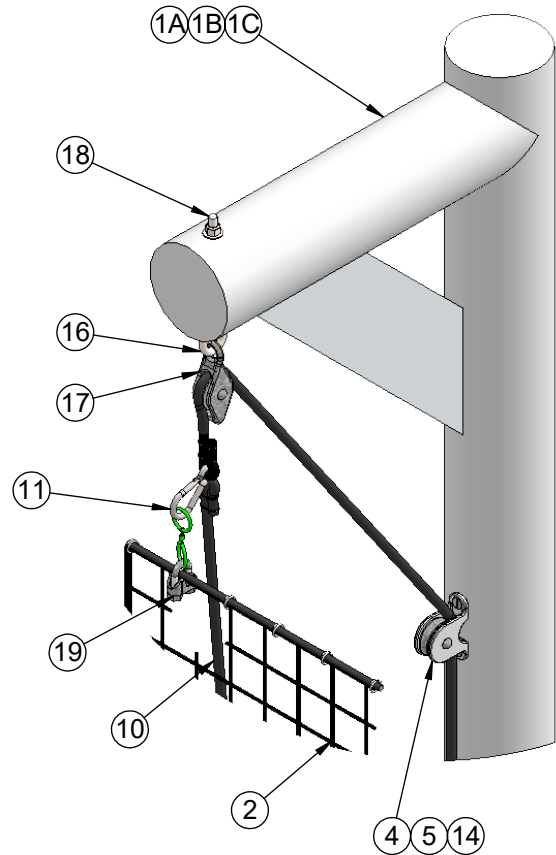
DESCRIPTION		
BT-141455-DUAL - Side-by-Side Batting Tunnels		
NOTE: Plan View Layout of Ground Sleeves and Uprights		
MODEL:	CATEGORY:	DATE:
BT-141455-DUAL	CUSTOMER	rev-1. 04/07/25 07/13/11
DRAWN BY:	CAD FILE:	DWG. NO.
ARP	BT-141455-DUAL Packet	BT-141455-DUAL-C-002

# BT-141455-DUAL Side-by-Side Batting Tunnels Two 14'H x 14'W x 55'L Installation & Upright Specifications

## Net Attachment Detail



## Net Attachment Detail



Not all drawings to scale



**Aluminum Athletic Equipment**  
1000 Enterprise Drive, Royersford, PA 19468  
Toll Free: (800) 523-5471 Fax: (610) 825-2378  
www.AAEsports.com

DESCRIPTION:

**BT-141455-DUAL - Side-by-Side Batting Tunnels**

NOTE:

Installation & Upright Specifications

MODEL:

BT-141455-DUAL

CATEGORY:

CUSTOMER

DATE: rev-1. 04/07/25

07/13/11

DWN. BY:

ARP

CAD FILE:

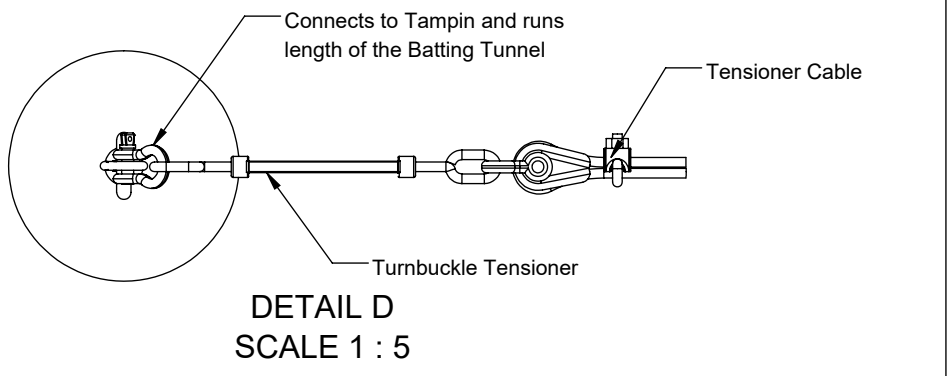
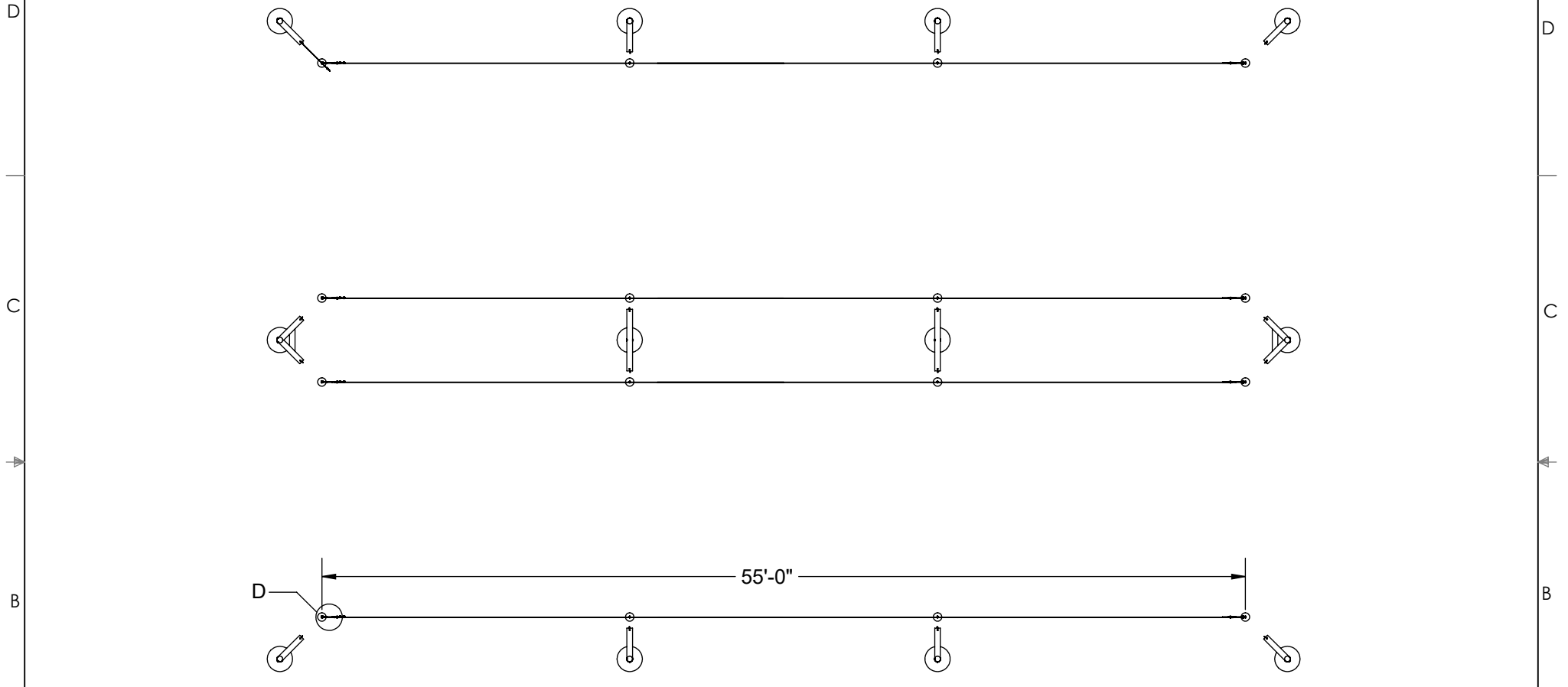
BT-141455-DUAL Packet


DWG. NO.

BT-141455-DUAL-C-003

Consult local codes for appropriate footing sizes

# Tension Cable Layout

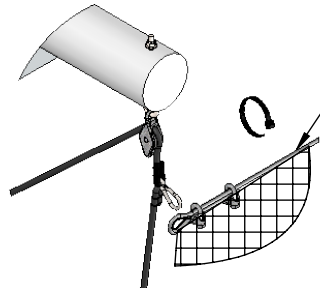




**Aluminum Athletic Equipment**  
 1000 Enterprise Drive, Royersford, PA 19468  
 Toll Free: (800) 523-5471 Fax: (610) 825-2378  
[www.AAEsports.com](http://www.AAEsports.com)

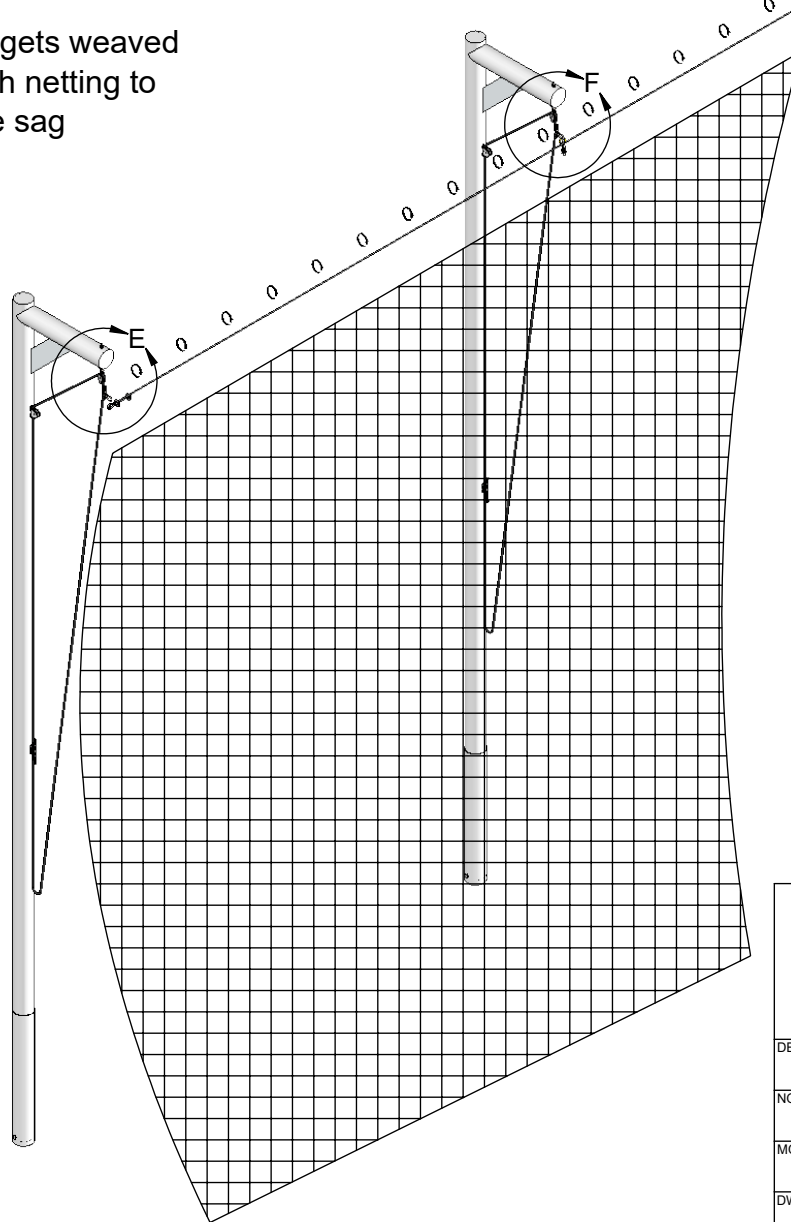
DESCRIPTION:		
<b>Tension Cable Layout</b>		
NOTE:		
55'-0"		
MODEL:	CATEGORY:	DATE:
BT-141455-DUAL	<b>CUSTOMER</b>	rev-1, 04/07/25 02/01/2018
DWN. BY:	CAD FILE:	DWG. NO.:
CED	BT-141455-Dual Packet	BT-141455-C-004

# Batting Tunnel Cable

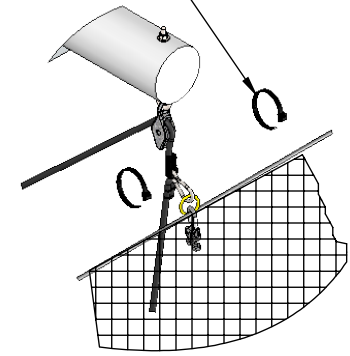


Cable gets weaved through netting to reduce sag

DETAIL E



Use cable ties every 1 to 2 feet to secure net to cable



DETAIL F



**Aluminum Athletic Equipment**  
 1000 Enterprise Drive, Royersford, PA 19468  
 Toll Free: (800) 523-5471 Fax: (610) 825-2378  
[www.AAEsports.com](http://www.AAEsports.com)

DESCRIPTION:			
<b>Batting Tunnel Cable</b>			
NOTE:			
Cable Diagram			
MODEL:	BT-141455-Dual	CATEGORY:	<b>CUSTOMER</b>
		DATE:	rev-1. 04/07/25 02/05/2018
DWN. BY:	CAD FILE:	DWG. NO.:	
CED	BT-141455 Dual CAD Packet	BT-141455-Dual-C-005	

**BT-141455-DUAL**  
**14'H x 14'W x 55'L SIDE-BY-SIDE BATTING TUNNELS**  
**PARTS LIST**

<b>Pt #</b>	<b>Item</b>	<b>Description</b>	<b>Qty.</b>
1A	Upright – r-shaped	4.00" o.d. x .226 x 17'-8" aluminum tube with 24" welded arm and welded brace, 6061T6	4
1B	Upright – r-shaped	4.00" o.d. x .125 x 17'-8" aluminum tube with 24" welded arm and welded brace, 6061T6	4
1C	Upright – T-shaped	4.00" o.d. x .125 x 17'-6" aluminum tube with 44" welded crossbar and welded braces, 6061T6	2
1D	Upright – Y-shaped	4.00" o.d. x .226 x 17'-8" aluminum tube with two 24" welded arms and welded braces, 6061T6	2
2	Main Net	1-3/4" square x 14' high x 14' wide x 55' long poly net	2
3	Ground Sleeve	4.35" o.d. x .100 x 30" 6061T6 aluminum tube	12
4	Pulley	#18-1 deck block galvanized steel pulley	16
5A	Pulley bolt	1/4"- 20 x 4-1/2" hex bolt, S.S.	24
5B	T-shaped Upright Pulley bolt	1/4"- 20 x 5-1/2" hex bolt, S.S.	4
6	Cleat	6" galvanized steel cleat	16
7A	Cleat bolt	1/4"- 20 x 5-1/2" hex bolt, S.S.	24
7B	T-shaped Upright Cleat bolt	1/4"- 20 6-1/2" FH mach. screw, plated	4
8	Stopbolt	1/2"- 13 x 5" steel hex bolt, plated	12
9	Stopbolt Nut	1/2"- 13 steel hex nut, plated	12
10	Hoisting Rope	5/16" polypropylene black braided rope, 26' long	16
11	Pear Clip	1/4" Pear Clip, S.S.	32
12	Eyebolt	3/8"-16 x 2-1/2" steel eyebolt, S.S.	16
13	Concrete Anchor	3/8"-16 tampin insert, P25T	16
14	Nut	1/4"-20 steel nylon lock nut, S.S.	56
15	Nut	1/4"-20 steel acorn nut, S.S.	28
16	Eyebolt	5/16"-18 x 6" steel eyebolt, S.S.	16
17	Hanging Pulley	#3-5 fast eye, galvanized steel, swivel pulley	16
18	Nut	5/16"-18 steel nylon lock nut, S.S.	16
19	Cable Clamp Assembly	Galvanized steel cable clamp and brass O-ring	16
20	Main Net Tension Cables	3/16" vinyl coated galvanized cable assembly (55' long)	8
21	Tensioner Kit	Galvanized 5/8" Tensioner, cable clamps, cable loop, shackles	4
22	Wire Ties	Black polypropylene net ties	200

**BT-141455-DUAL  
14'H x 14'W x 55'L SIDE-BY-SIDE BATTING TUNNELS  
PARTS LIST**

---

**FOR TECHNICAL ASSISTANCE, CALL 1-800-523-5471**

K:\AAE Data\PDF Files\Product Instructions & Parts Lists\Baseball\BT-141455\BT-141444-DUAL Parts List.doc  
Copyright © 2011 Aluminum Athletic Equipment Co.



**BT-141455-DUAL**  
**14'H x 14'W x 55'L SIDE-BY-SIDE BATTING TUNNEL**  
**LAYOUT AND INSTALLATION INSTRUCTIONS**

---

**LAYOUT:** Refer to Drawing No. BT-141455-Dual-C-002

**INSTALLATION:**

Step No. 1  
Placing Ground Sleeves

Drill or dig 15"-18" diameter holes a minimum of 36" deep **(Consult local building codes for concrete depth and drainage requirements.)** at each Ground Sleeve Location. Fill the bottom of each hole with approximately 6" of crushed stone, so the depth from ground level to the top of the stone is 30". Insert 30" aluminum ground sleeves (Item No. 3) "bolt side" down. Make sure the ground sleeves are flush with the ground, centered, leveled (individually, as well as with each other), and plumb. Also, rotate the ground sleeves so that the two (2) grooves (Installation notches) on top of the ground sleeve are aligned correctly - See Drawing No. BT-141455-Dual-C-002 for details.

**NOTE: It is extremely important** that the Installation Notches on top of the ground sleeve are in proper alignment, so the keyslot in the main upright will lock the upright into its proper position when set into the ground sleeve.

Step No. 2  
Setting Ground Sleeves

When all the ground sleeves are in the proper position and alignment, the concrete can be poured. **(Be sure not to get any concrete inside the ground sleeves!)** As the concrete cures, constantly check to see that the ground sleeves are flush with the ground, centered, plumb, and in the correct alignment.

Step No. 3  
Drilling & Pouring Concrete Piers  
See Drawing No. BT-141455-Dual-C-002

Drill or dig 6" diameter holes 14" deep (Consult local building codes for concrete depth and drainage requirements.) At each "tampin location". Fill void with concrete to a level 2" below ground level. While the concrete is still in a semi-pliable state, place the tampin insert (Item No. 13) in the center of the pier so that the top of the insert is flush with the top level of the concrete. **(DO NOT get concrete inside the tampin insert!)** When concrete has hardened, thread 3/8"-16 eyebolt w/ attached Pear Clip (Item Nos.11 & 12) into inserts.

Step No. 4  
Upright Assembly  
See Drawing No. BT-141455-Dual-

**For r-shaped uprights (Item No. 1A & 1B):**  
Attach swivel pulley, w/ attached eyebolt, (Item Nos. 16 & 17) to the hole at the end of the upright arm using a 5/16"-18 nylon lock nut (Item No. 18).

**BT-141455-DUAL**  
**14'H x 14'W x 55'L SIDE-BY-SIDE BATTING TUNNEL**  
**LAYOUT AND INSTALLATION INSTRUCTIONS**

---

C-003

Attach a fixed pulley (Item No. 4) through the upper set of holes using 1/4"-20 x 4-1/2" hex bolt (Item No. 5A) and 1/4"-20 nylon lock nuts (Item No. 14).

Attach one cleat (Item No. 6) through the lower set of holes using 1/4"-20 x 5-1/2" hex bolt (Item No. 7A) and 1/4"-20 nylon lock nuts (Item No. 14). Cap threads with 1/4" -20 acorn nuts (Item No. 15).

Thread hoisting rope (Item No. 10) with attached pear clip (Item No. 11) through top pulley, middle pulley, and secure to cleat.

**For T-shaped Uprights (Item No. 1C):**

Attach swivel pulleys, w/ attached eyebolt, (Item Nos. 16 & 17) to the holes at each end of the upright crossbar using 5/16"-18 nylon lock nuts (Item No. 18).

Attach a fixed pulley (Item No. 4) on either side of the upright through the upper set of holes using two 1/4"-20 x 5-1/2" hex bolts (Item No. 5B) and two 1/4"-20 nylon lock nuts (Item No. 14). (The two pulleys share the same set of hardware)

Attach two cleats (Item No. 6) on either side of the upright through the lower set of holes using two 1/4"-20 x 6-1/2" FH machined screws (Item No. 7B) and two 1/4"-20 nylon lock nuts (Item No. 14). Cap threads with two 1/4" -20 acorn nuts (Item No. 15). (The two cleats share the same set of hardware)

Thread hoisting rope (Item No. 10) with attached pear clip (Item No. 11) through top pulley, middle pulley, and secure to cleat.

**For Y-shaped Uprights (Item No. 1D):**

Attach a swivel pulley, w/ attached eyebolt, (Item Nos. 16 & 17) to the hole at the end of each of the upright arms using 5/16"-18 nylon lock nuts (Item No. 18).

Attach two fixed pulleys (Item No. 4), one under each arm, through the upper set of holes using four 1/4"-20 x 4-1/2" hex bolts (Item No. 5A) and four 1/4"-20 nylon lock nuts (Item No. 14). (Pulleys do NOT share the same set of hardware)

Attach two cleats (Item No. 6), one under each arm, through the lower set of holes using four 1/4"-20 x 5-1/2" hex bolts (Item No. 7A) and four 1/4"-20 nylon lock nuts (Item No. 14). Cap threads with four 1/4" -20 acorn nuts (Item No. 15). (Cleats do NOT share the same set of hardware)

Thread hoisting rope (Item No. 10) with attached pear clip (Item No. 11) through top pulley, middle pulley, and secure to cleat.

After concrete cures, insert assembled uprights into ground

**BT-141455-DUAL**  
**14'H x 14'W x 55'L SIDE-BY-SIDE BATTING TUNNEL**  
**LAYOUT AND INSTALLATION INSTRUCTIONS**

---

sleeves.

Step No. 5  
Installing Bottom  
Tensioned Cables

Lay 55' long cables out length-wise (x4). Attach pre-made loop end thimble with anchor shackle to corner tampin eyebolt on ground. End cable a bay short on the corner where entrance is preferable (this will allow for net to be clipped on and off for easy entering. Position turnbuckle at one end and make up with thimble. Make sure to remove the cable coating (2' typical) with a box cutting knife \*BE CAREFUL. Pull the cable around the thimble, which is attached to the corner eyebolt via an anchor shackle. Use cable clamps anchor shackles Tension all cables and clip cable at intermediate locations along the length.

*(Ask AAE about the BT-EZ Batting Tunnel Entrance Zipper, which can be added to any batting tunnel net to create an opening in any location on the net.)*

Step No. 6  
Installing Main  
Net

Lower hoisting rope w/ attached pear clip and cable clamp (Item Nos. 10, 11, & 19) to about 4 ft. above ground level. (Keep end of rope secured to cleat so you don't lose the rope!). Layout the main net and attach the cable clamps at each post to the net, starting at the corners at one end and working down to the other end. Once all posts' hoisting ropes are attached, raise the net all the way and secure the end of the rope firmly and professionally to the cleat. (Consult former Navy personnel or handbook for proper method.) Repeat the process for the second net.

Step No. 7  
Fasten Bottom of  
Net Border to  
Tensioned Bottom  
Cables

Start at the far end corner away from the chosen entrance side and zip tie bottom border of net every 6" (3-4 net square blocks). It may help to lower the net a foot from the top so not to create unwanted tension during this step. Once completed, clip zip tie ends and raise net fully.

**FOR TECHNICAL ASSISTANCE, CALL 1-800-523-5471**

K:\AAE Data\Product Instructions & Parts Lists\BT-141455\BT-141455-DUAL Installation Instructions.doc

Copyright © 2011 Aluminum Athletic Equipment Co.