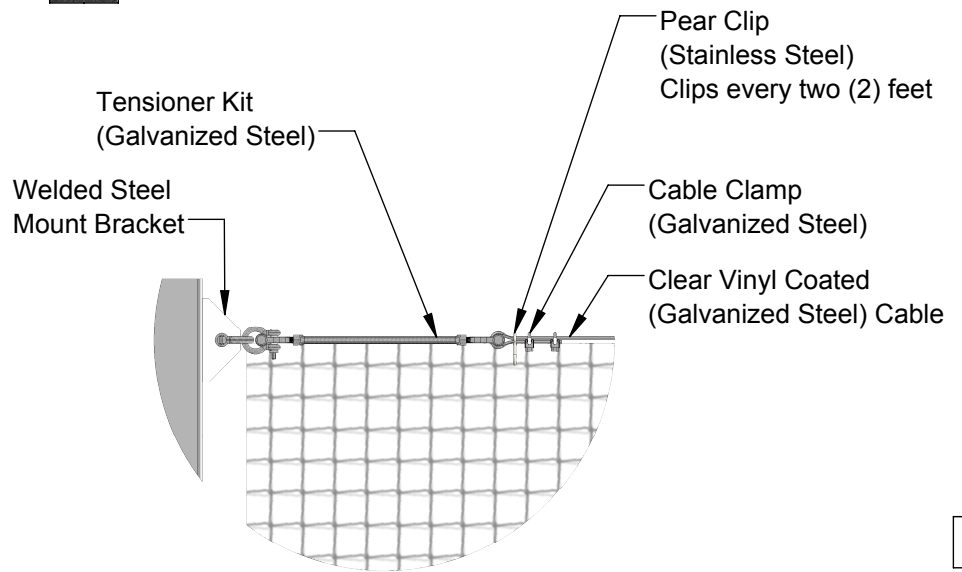
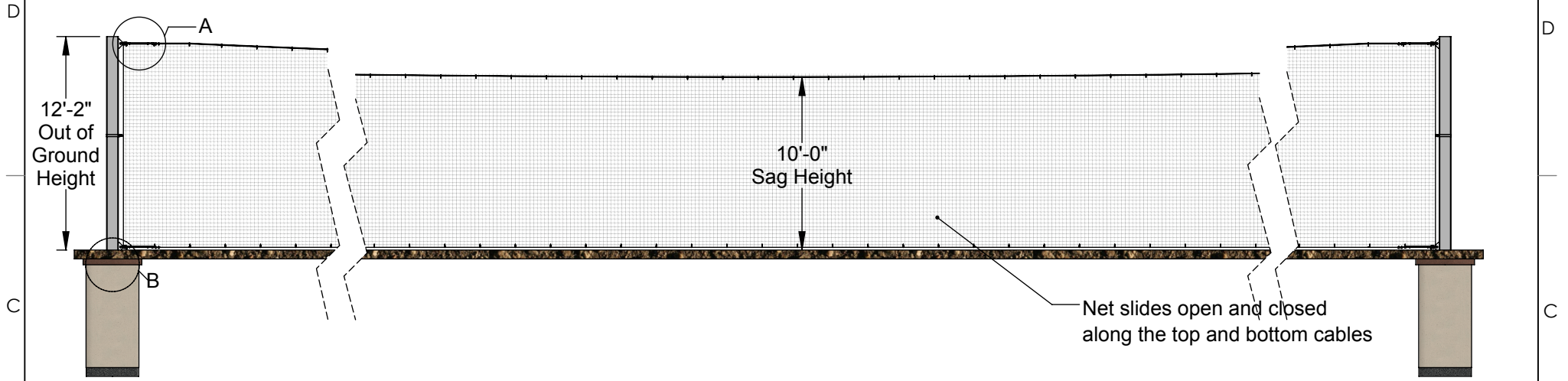
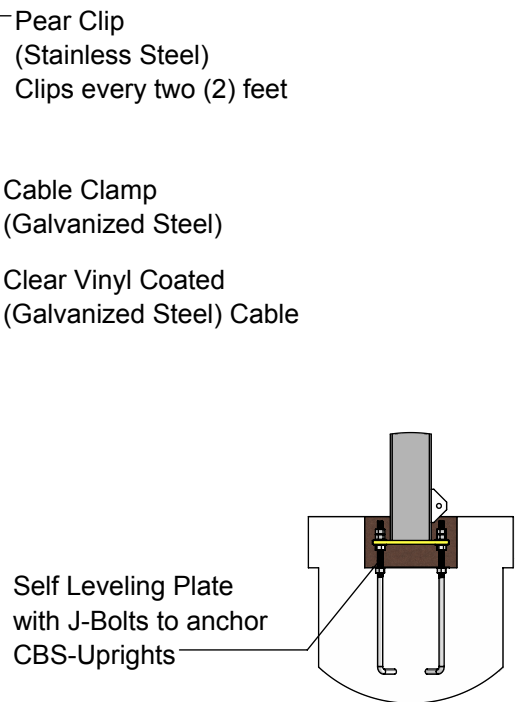


CBS - Curtain BallStopper®

Specifications



DETAIL A
SCALE 1 : 15



DETAIL B
SCALE 2 : 75

Post (Steel):

- 8" sq. x .375" wall steel tube
- Custom length based on desired net height
- Powder-coated black finish
- All Hardware is Rustproof

Footing:

- Concrete footing to be specified by engineer based on custom net height and length



Aluminum Athletic Equipment
1000 Enterprise Drive, Royersford, PA 19468
Toll Free: (800) 523-5471 Fax: (610) 825-2378
www.AAEsports.com

DESCRIPTION:			CBS - Specifications		
NOTE:			Curtain BallStopper		
MODEL:	CBS	CATEGORY:	CUSTOMER	DATE:	10/5/2018
DWN. BY:	CED	CAD FILE:	CBS - Specifications	DWG. NO.:	CBS-C-001