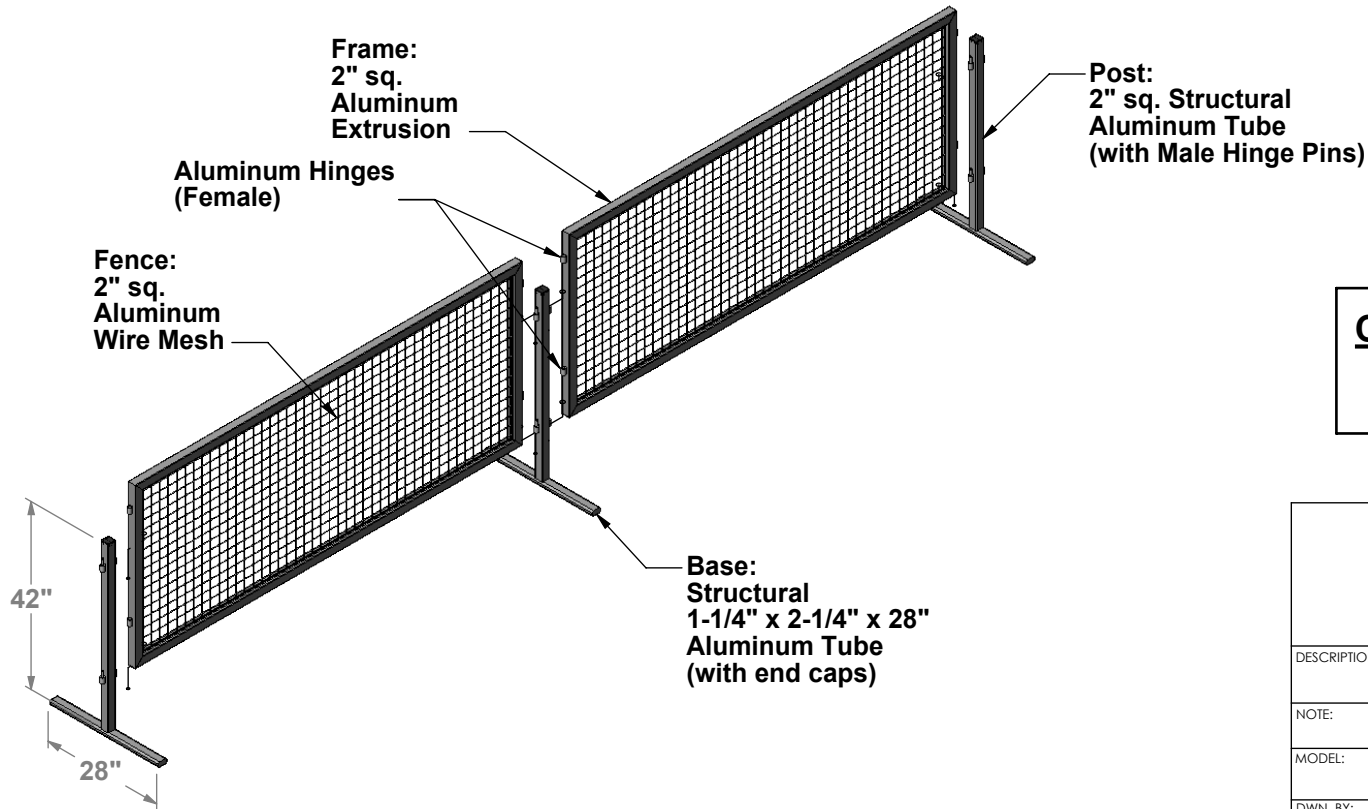
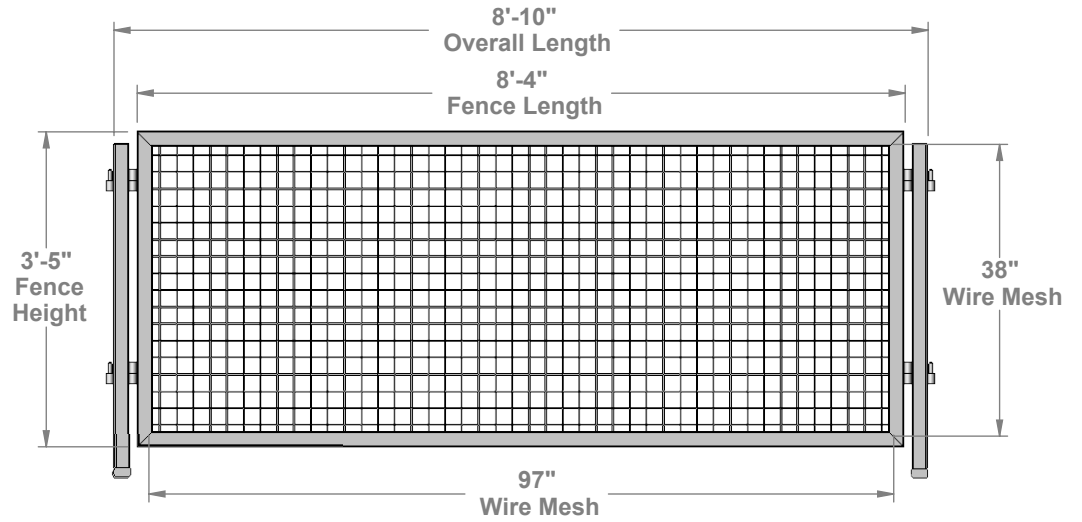
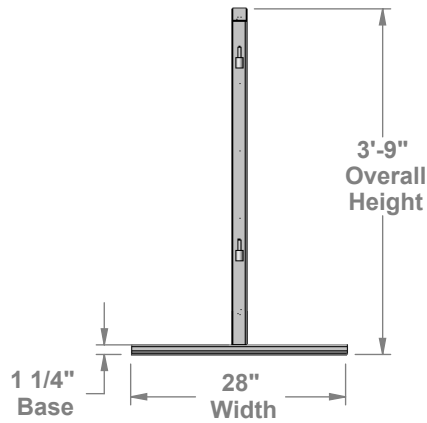


# Crowd Control Fence Specifications



## CCF Weight Calculations

Fence Weight = 42 lbs.  
Base Weight = 8 lbs.



**Aluminum Athletic Equipment**  
1000 Enterprise Drive, Royersford, PA 19468  
Toll Free: (800) 523-5471 Fax: (610) 825-2378  
www.AAEsports.com

DESCRIPTION			
Crowd Control Fence - Specifications			
NOTE: 3'-5" x 8'-4" Frame with Hinged Base			
MODEL:	CCF	CATEGORY:	CUSTOMER
			DATE: 10/16/03
DWN. BY:	TAD	CAD FILE:	Crowd Control Fence - Specs
		DWG. NO.:	CCF-C-001