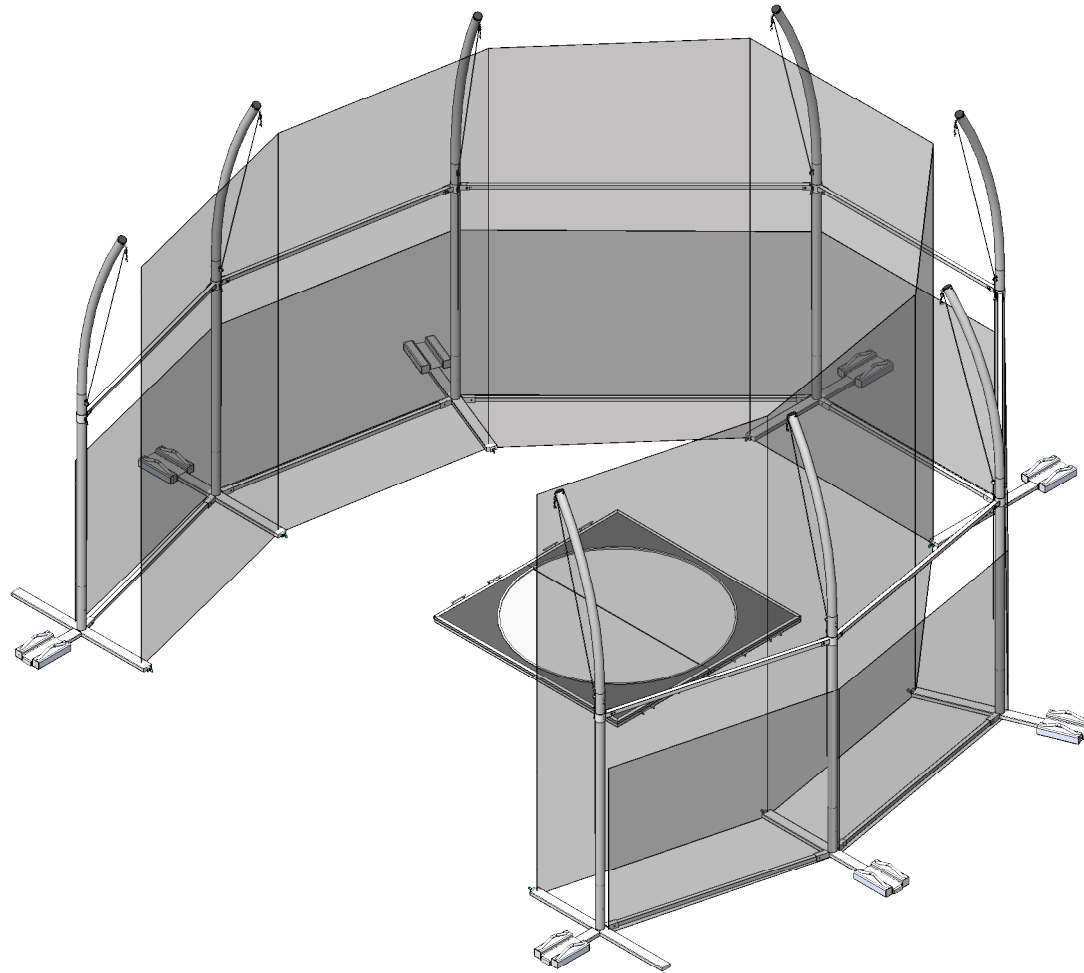


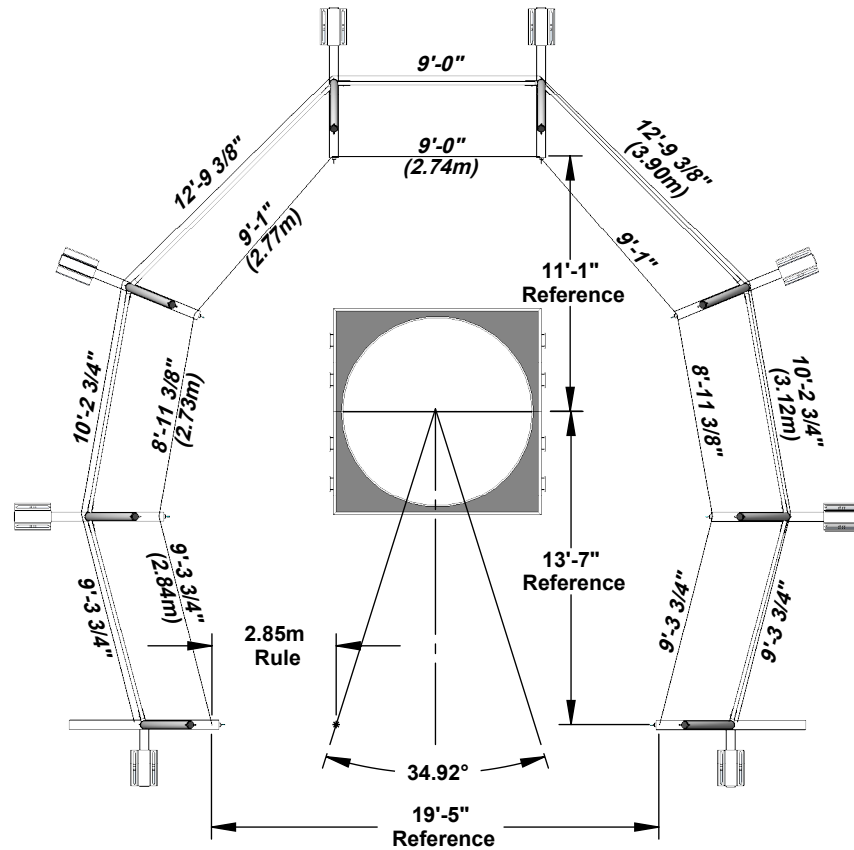
AAE Model: CDC-P Portable NCAA Discus Cage



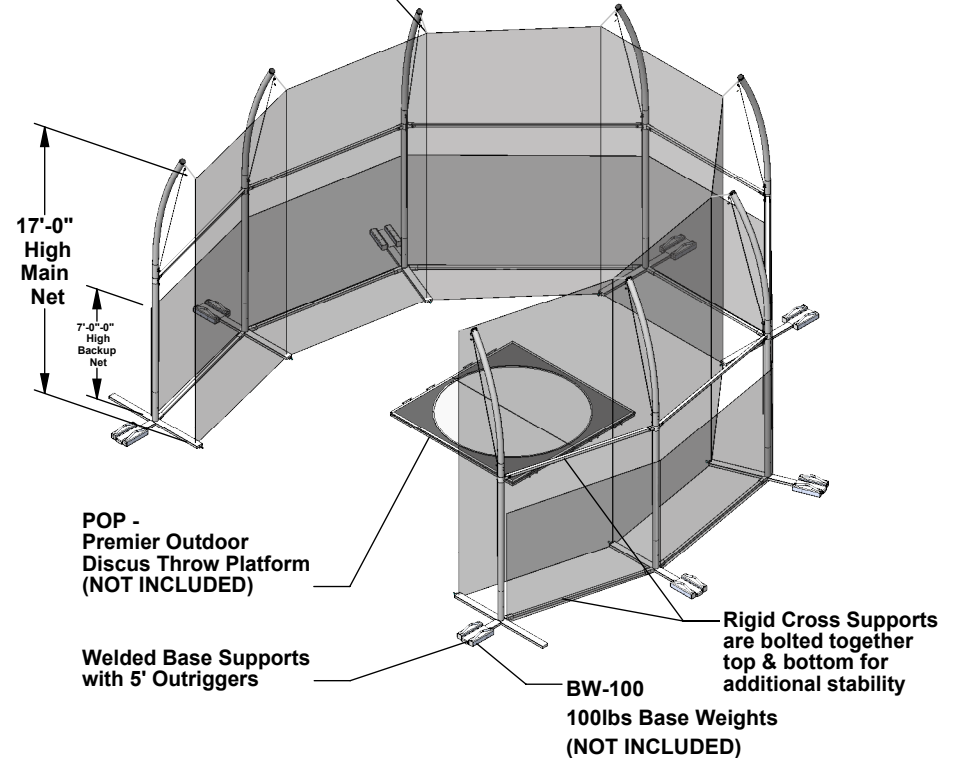
Aluminum Athletic Equipment
1000 Enterprise Drive, Royersford, PA 19468
Toll Free: (800) 523-5471 Fax: (610) 825-2378
www.AAEsports.com

CDC-P - Portable NCAA Discus Cage

Specifications & Standard Features



CDC-P Uprights (8ea.)
 Ø4"x.125 wall x 17'-6" high
 with 3' offset; Standard
 CDC Pulley Assembly for
 raising/lowering net



** Meets & Exceeds All NCAA Rules & Specifications **

Standard Features

- All-Aluminum Construction
- Stainless Steel Hardware
- CDC-P uni-structure setup configures to 34.92 degree NCAA regulation
- Overall Weight: 675 lbs.
- Includes 17' High Main Net & 7' High Backup Net

Related Products

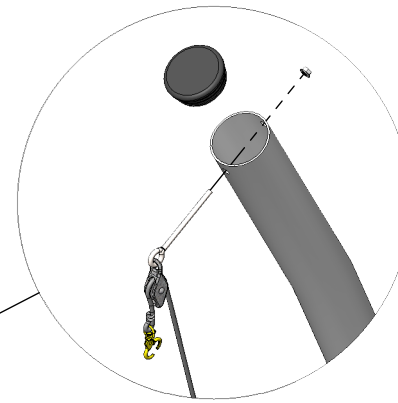
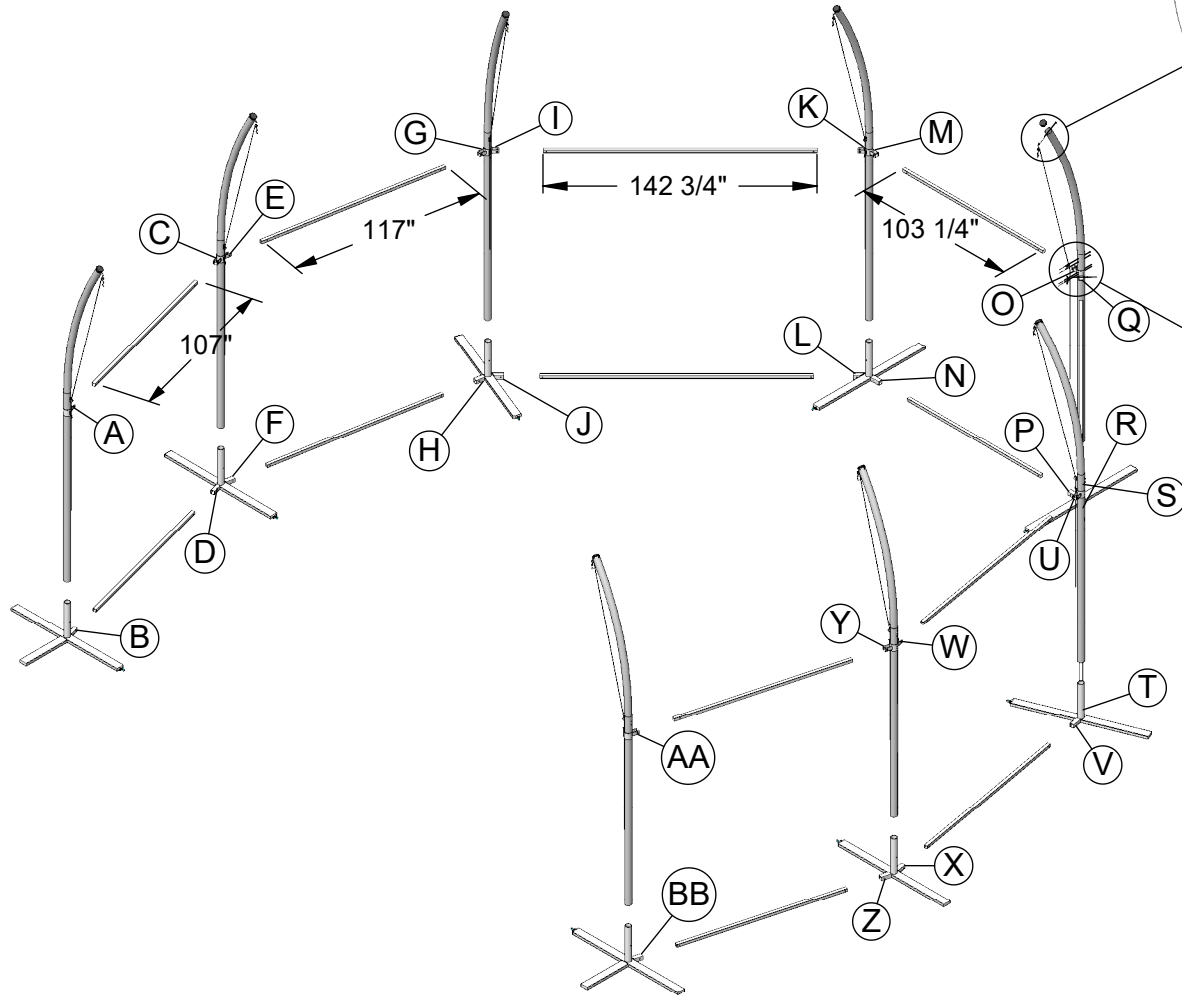
- POP - Premier Outdoor Platform



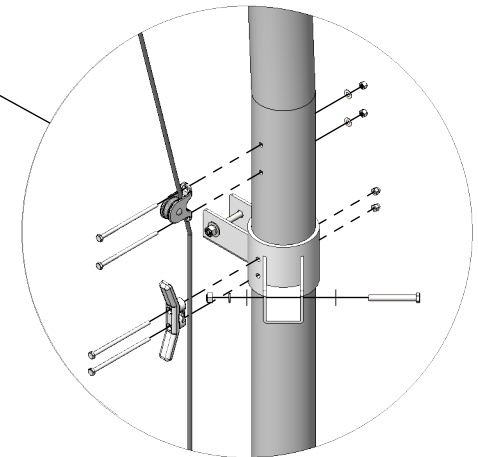
Aluminum Athletic Equipment
 1000 Enterprise Drive, Royersford, PA 19468
 Toll Free: (800) 523-5471 Fax: (610) 825-2378
www.AAEsports.com

DESCRIPTION:		
CDC-P - Portable NCAA Discus Cage - Specifications		
NOTE: Layout Compliant with 34.92° Sector Rule		
MODEL:	CATEGORY:	DATE:
CDC-P	CUSTOMER	7/02/08
DWN. BY:	CAD FILE:	DWG. NO.:
TAD	CDC-P - Specifications	CDC-P-C-001

CDC-P - Layout/Assembly



DETAIL A
SCALE 1 : 12



DETAIL B
SCALE 1 : 12



Aluminum Athletic Equipment
1000 Enterprise Drive, Royersford, PA 19468
Toll Free: (800) 523-5471 Fax: (610) 825-2378
www.AAEsports.com

DESCRIPTION:		
CDC-P - Layout/Assembly		
NOTE:		
Portable NCAA Discus Cage		
MODEL:	CATEGORY:	DATE:
CDC-P	CUSTOMER	8/11/10
DWN. BY:	CAD FILE:	DWG. NO.:
TAD	CDC-P - Layout/Assembly	CDC-P-C-002