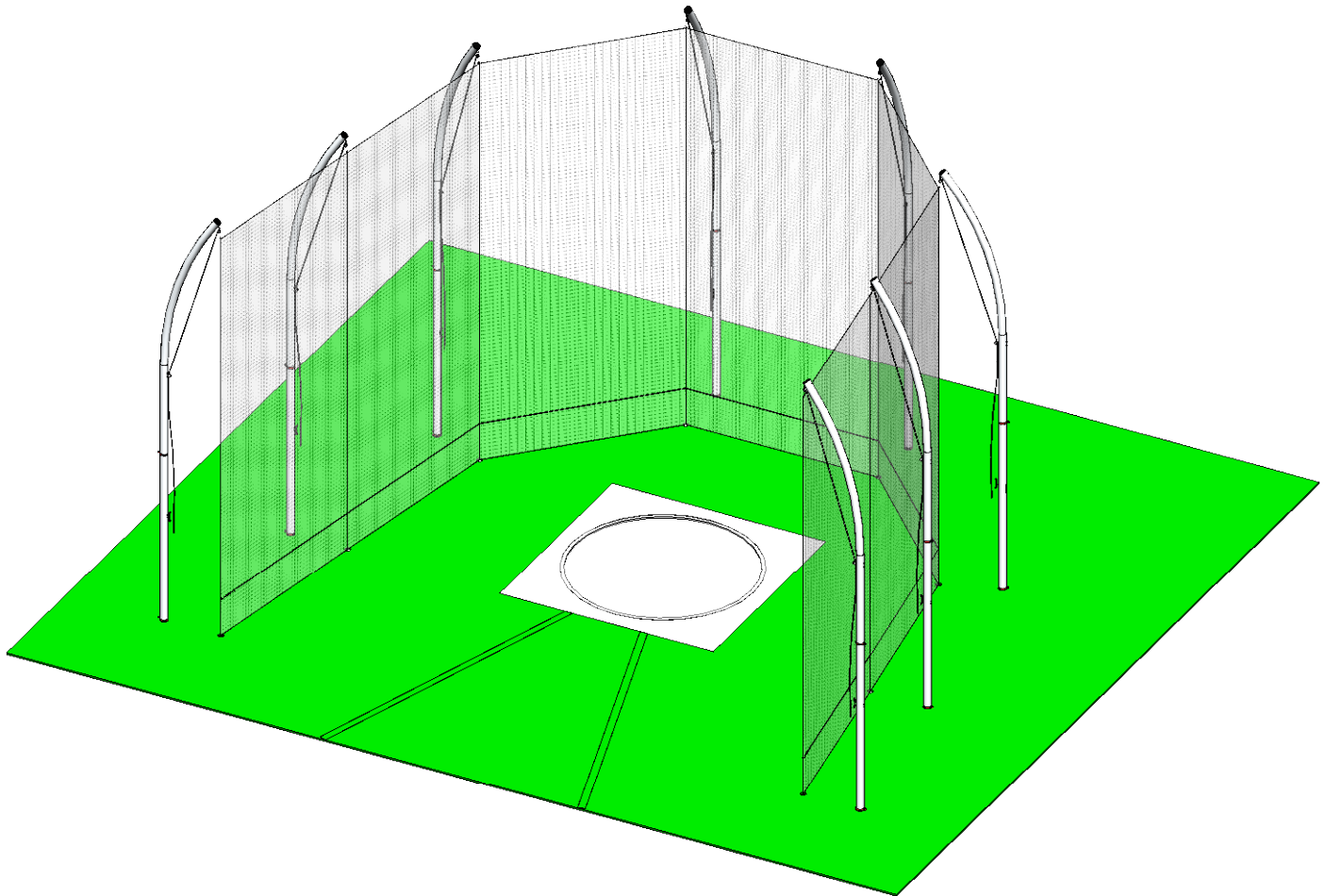
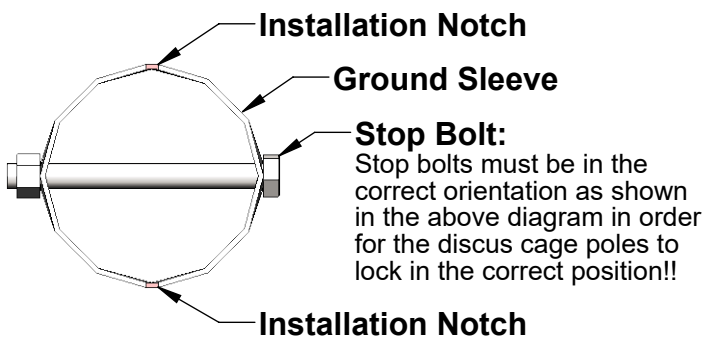
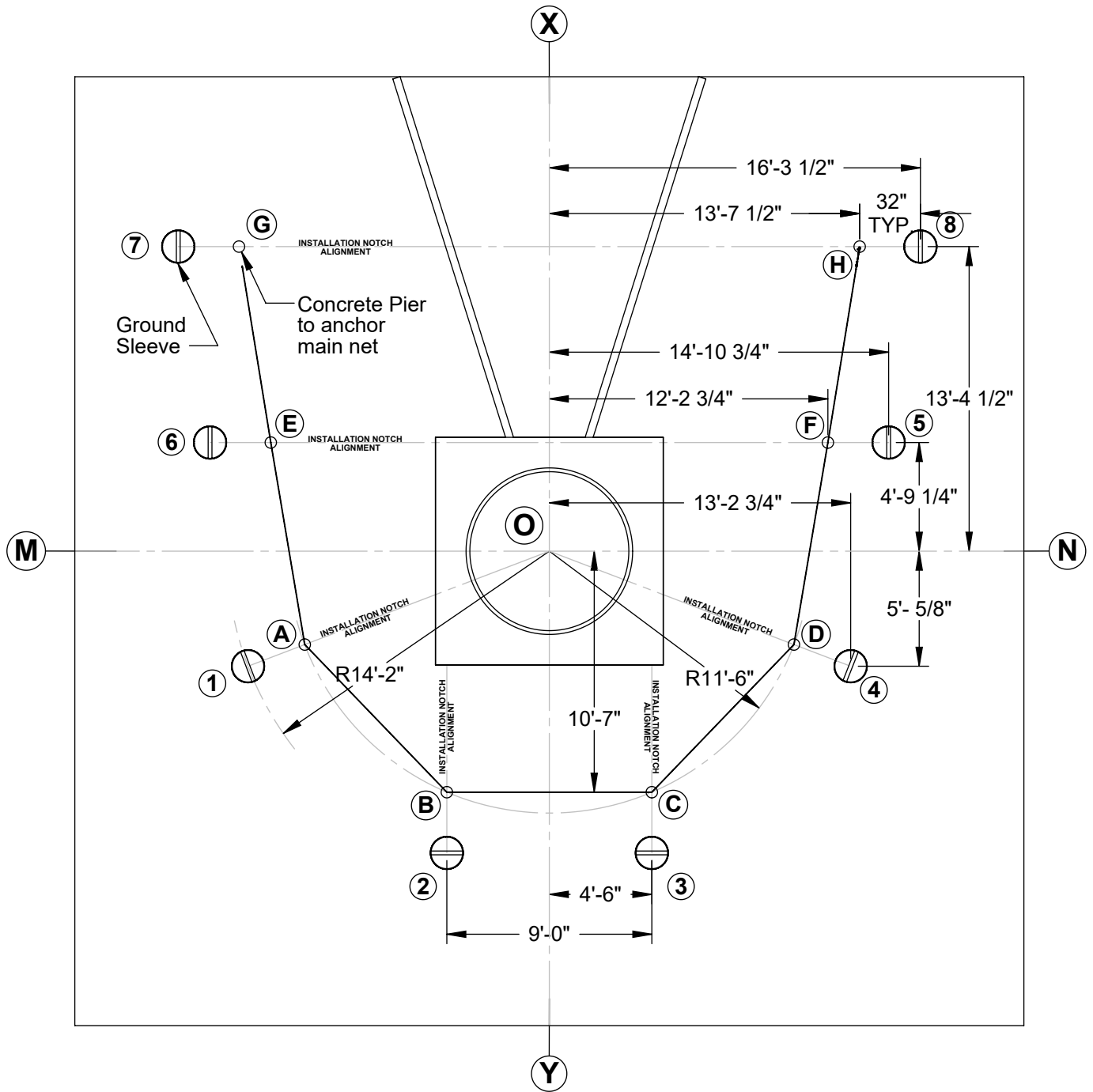


AAE Model No. CDC NCAA Discus Cage



Aluminum Athletic Equipment
1000 Enterprise Drive, Royersford, PA 19468
Toll Free: (800) 523-5471 Fax: (610) 825-2378
www.AAEsports.com

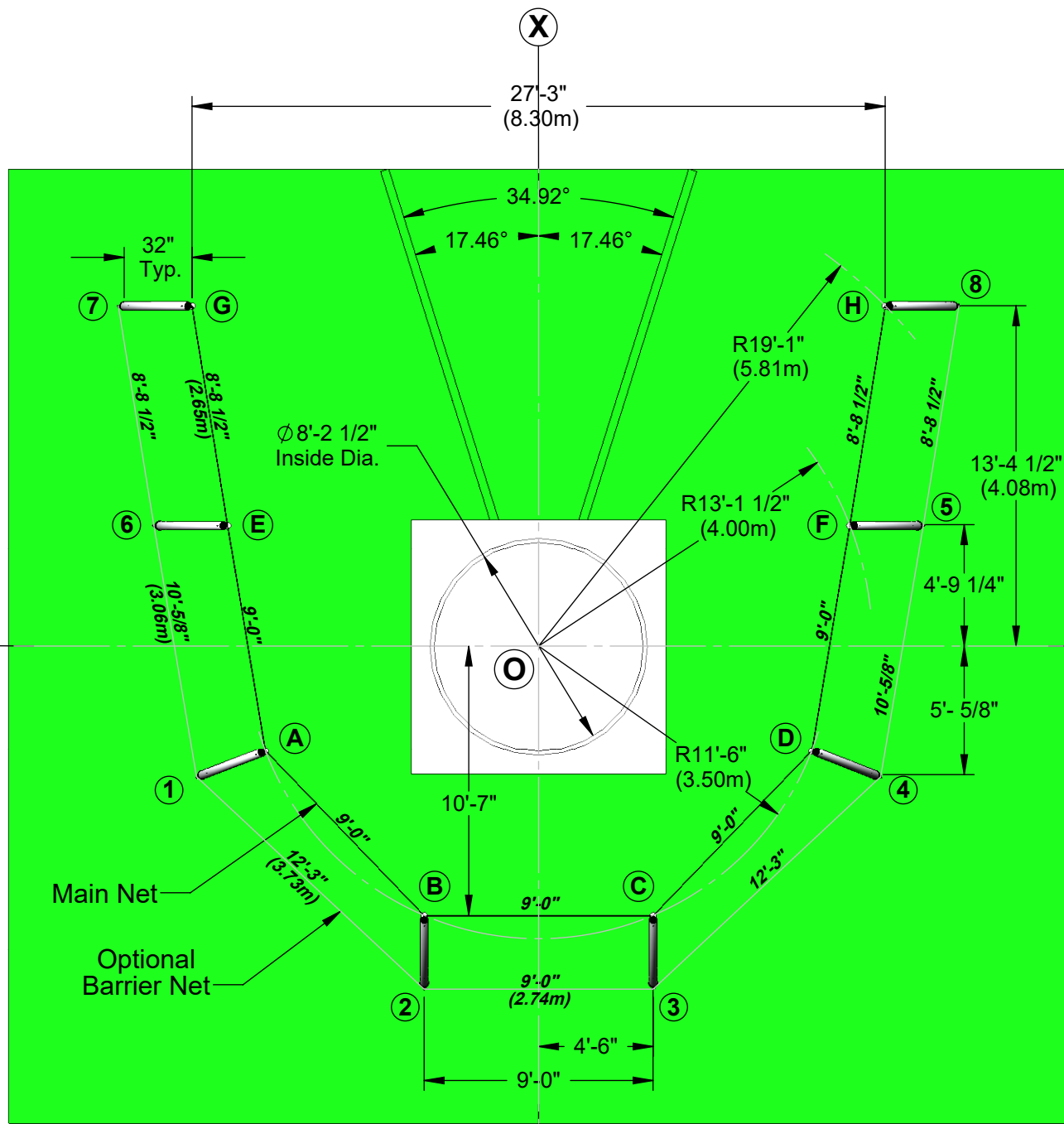
CDC NCAA Discus Cage Ground Sleeve Placements



Aluminum Athletic Equipment
1000 Enterprise Drive, Royersford, PA 19468
Toll Free: (800) 523-5471 Fax: (610) 825-2378
www.AAEsports.com

DESCRIPTION: CDC - Ground Sleeve Layout		
NOTE: NCAA Discus Cage		
MODEL: CDC	CATEGORY: CUSTOMER	DATE: 08/09/10
DWN. BY: TAD	CAD FILE: CDC Packet	DWG. NO. CDC-C-001

CDC NCAA Discus Cage Plan View Layout



Meets & Exceeds All NCAA Rules & Specifications

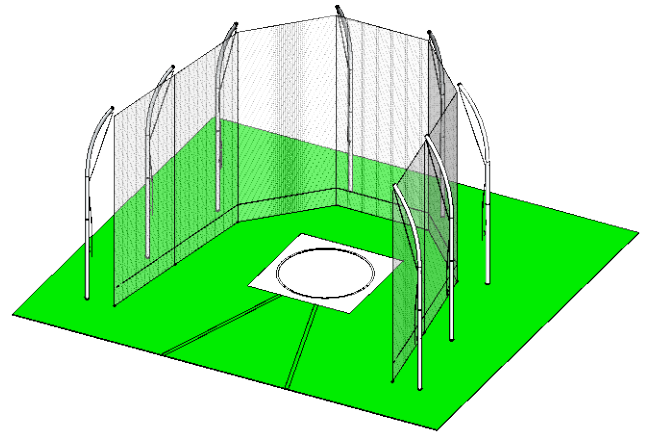
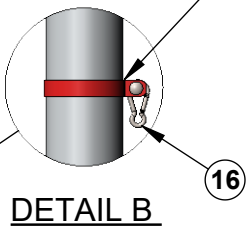
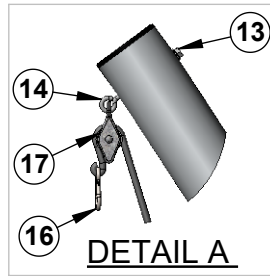
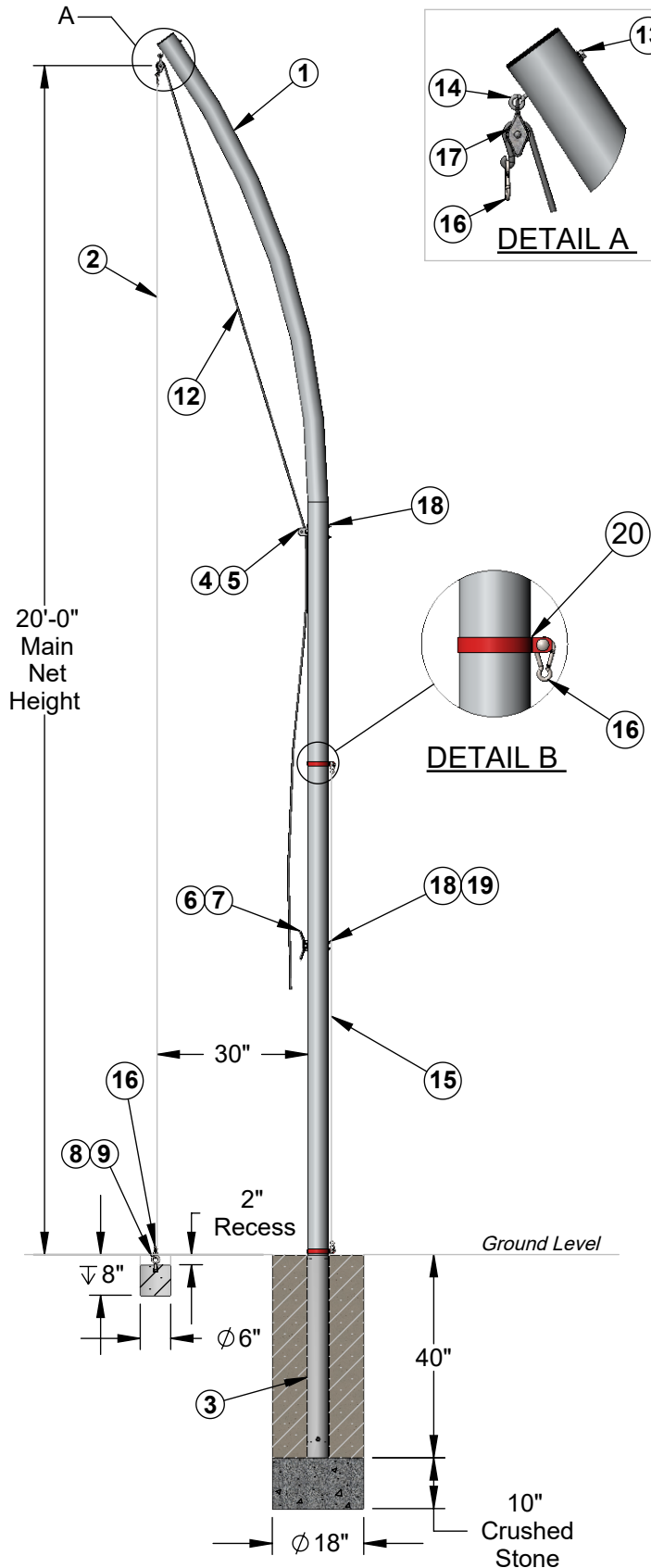
Main Net Size = 20'-0" High x 63'-0" Perimeter
 Optional Barrier Net Size = 8'-0" High x 72'-0" Perimeter



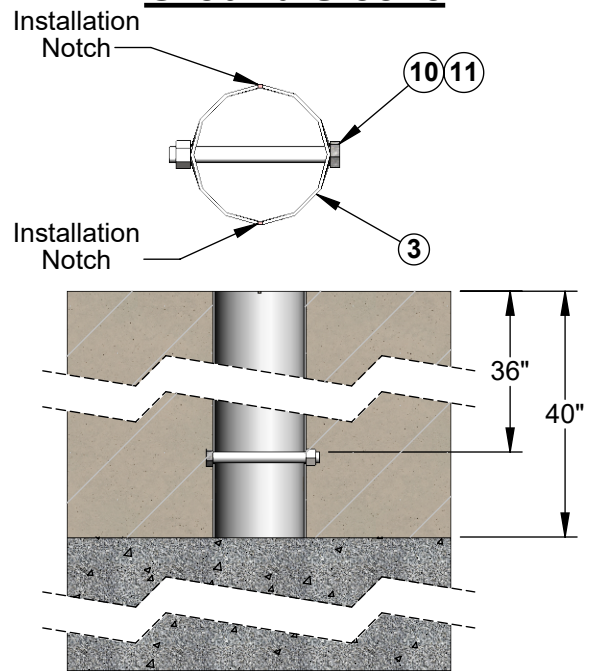
Aluminum Athletic Equipment
 1000 Enterprise Drive, Royersford, PA 19468
 Toll Free: (800) 523-5471 Fax: (610) 825-2378
www.AAEsports.com

DESCRIPTION: CDC - Plan View Layout		
NOTE: NCAA Discus Cage		
MODEL: CDC	CATEGORY: CUSTOMER	DATE: 08/09/10
DWN. BY: TAD	CAD FILE: CDC Packet	DWG. NO. CDC-C-002

CDC NCAA Discus Cage Installation/Upright Specifications



CDC Ground Sleeve



CDC Specifications

Post (Aluminum):

- $\phi 4''$ x .226" wall aluminum tube with 30" Offset
- (Mill Aluminum 6061T6)
- Weight = 74lbs./ea.
- All Hardware Is RUSTPROOF

Netting:

- Net: #AAE N361-#36, 1-3/4" sq. knotted Nylon, DBB, length to vary, 1/4" MFP Rope Border, UV protected and 1/4" cable hog tied to top of net



Aluminum Athletic Equipment
1000 Enterprise Drive, Royersford, PA 19468
Toll Free: (800) 523-5471 Fax: (610) 825-2378
www.AAEsports.com

DESCRIPTION: CDC - Installation/Upright Specifications		
NOTE: NCAA Discus Cage		
MODEL: CDC	CATEGORY: CUSTOMER	DATE: 08/09/10
DWN. BY: TAD	CAD FILE: CDC Packet	DWG. NO. CDC-C-003

**CDC
NCAA DISCUS CAGE
PARTS LIST**

Pt#	Item	Description	Qty.
1	Upright	4.00" o.d. x .226" x 24'0" aluminum tube, 30" arc offset, 6061T6	8
2	Main Net	N361-#36 - 20'x 63', framed with 1/4" rope, DBB, 1-3/4" sq. knotted nylon	1
3	Ground Sleeve	4.35" o.d. x .100" x 40" aluminum tube, 6061T6, with plastic cap.	8
4	Pulley	#1 deck block galvanized steel pulley	8
5	Pulley Bolt	1/4"-20 x 4-1/2" hex bolt, S.S.	16
6	Cleat	6" galvanized steel cleat	8
7	Cleat bolt	1/4"-20 x 5-1/2" hex bolt, S.S.	16
8	Eyebolt	3/8"-16 x 2-1/2" eyebolt, S.S.	8
9	Concrete Anchor	3/8"-16 tampin insert, P25T	8
10	Hex Bolt	1/2"-13 x 5" steel hex bolt, S.S.	8
11	Nylon lock nuts	1/2"-13 steel hex nylon lock nuts, 18-8 S.S.	8
12	Hoisting Rope	5/16" polypropylene black braided rope w/ cable clamp, 34' long	8
13	Nylon lock nuts	5/16"-18 steel hex nylon lock nuts, 18-8 S.S.	8
14	Eyebolt	5/16"-18 x 6" steel eyebolt, S.S.	8
*15	Barrier Net	N361-#36 - 8'x 92' framed with 1/4" rope, DBB, 1-3/4"sq. knotted nylon (optional)	1
16	Pear Clip	1/4" Pear Clip, S.S. (*two extra per upright for barrier net)	16 (*32)
17	Swivel Pulley	#3-5 fast eye, galvanized steel, swivel pulley	8
18	Nut	1/4"-20 steel nylon lock nut, S.S.	32
19	Nut	1/4"-20 steel acorn nut, S.S.	16
*20	Post Collar (Barrier Net)	4" Post Collar, vinyl coated black, with Hardware, S.S. (optional)	16

*** OPTIONAL ITEMS FOR BARRIER NET**

FOR TECHNICAL ASSISTANCE, CALL 1-800-523-5471

K:\AAE Data\PDF Files\Product Instructions & Parts Lists\Track & Field\CDC\CDC Parts List.doc
Copyright © 2010 Aluminum Athletic Equipment Co.

**CDC
NCAA DISCUS CAGE
LAYOUT AND INSTALLATION INSTRUCTIONS**

LAYOUT - (Reference Drawing No. CDC-C-001 for details)

- Step No. 1 Using masonry string, establish perpendicular lines "MN" and "XY", which intersect at point "O", the center of the discus circle.
- Step No. 2 Establish lines 4'-6" (1.37m) away and parallel to line "XY" on both sides. Measure back 13'-3" (4.04m) from line "MN" on these lines to locate points "2" and "3".
- Step No. 3 With point "O" as the center, draw/scribe 14'-2" (4.31 m) arcs "O-1" and "O-4". Measure 13'-2-3/4" from either side of "XY" to intersect with 14'-2" arcs to locate points "1" and "4".
- Step No. 4 Establish a line 1.45m (4'-9-1/4") away and parallel to line "MN" (towards the front of the cage). Measure 14'-10-3/4" (4.54m) from each side of line "XY" on this line to locate points "5" and "6".
- Step No. 5 Establish a line 13'-4-1/2" (4.07m) away from, and parallel to, line "MN" (towards the front of the cage). Measure 16'-3-1/2" (4.96m) from each side of line "XY" to locate points "7" and "8". (Points "8" and "7" should be (2.62m) 8'-7-1/4" away from points "5" and "6" respectively.)

NOTE: Points "1" thru "8" are the location of the Center of the ground sleeves (for the main uprights) to be installed.

- Step No. 6 Extend parallel, perpendicular, and radial lines 32" from points "1" thru "8" to locate points "A" thru "H". (Note: "B-2" and "C-3" run parallel with line "XY", "A-1" and "D-4" point to the center of the circle, and "F-5", "E-6", "G-7", and "H-8" all run parallel with line "MN".) See Drawing No. CDC-C-001 for details.

NOTE: Points "A" thru "H" are the location of the Center of the concrete piers that will anchor the bottom of the main net.

INSTALLATION

- Step No. 1
Placing Ground
Sleeves Drill or dig 15" - 18" diameter holes a minimum of 48" deep (**Consult local building codes for concrete depth and drainage requirements.**) at points "1" thru "8". Fill the bottom of each hole with approximately 8" of crushed stone, so the depth from ground level to the top of the stone is 40". Insert the upright ground sleeves (Item No. 3) at points "1" thru "8" ("bolt side" down). Make sure the ground sleeves are flush with the ground, centered, leveled (individually, as well as with each other), and plumb. Also, rotate the ground sleeves so that the two (2) grooves (Installation

**CDC
NCAA DISCUS CAGE
LAYOUT AND INSTALLATION INSTRUCTIONS**

notches) on top of the ground sleeve are aligned correctly - See "Installation Notch Alignment" on Drawing. No. CDC-C-001 for details. A mason's string or straight edge may be used to aid in the aligning process.

NOTE: It is extremely important that the Installation Notches on top of the ground sleeve are in proper alignment, so the key slot in the main upright will lock the upright into its proper position when set into the ground sleeve.

Step No. 2
Setting Ground
Sleeves

When all the ground sleeves are in the proper position and alignment, the concrete can be poured. **(Be sure not to get any concrete inside the ground sleeves!)** As the concrete cures, constantly check to see that the ground sleeves are flush with the ground, centered, plumb, and in the correct alignment.

Step No. 3
Drilling & Pouring
concrete piers

Drill or dig 5" - 6" diameter holes 10" deep (Consult local building codes for concrete depth and drainage requirements.) at points "A" thru "H". Fill void with concrete to a level 2" below ground level. While the concrete is still in a semi-pliable state, place the tampin insert (Item No. 9) in the center of the pier so that the top of the insert is flush with the top level of the concrete. **(DO NOT get concrete inside the tampin insert!)** When concrete has hardened, thread 3/8"-16 eyebolt w/ attached Pear Clip (Item Nos. 8 & 16) into inserts.

Step No. 4
Upright Assembly

**See Drawing No.
CDC-C-003**

Attach swivel pulley, w/ attached eyebolt, (Item Nos. 14 & 17) to the top hole of the upright using a 5/16"-18 nylon lock nut (Item No. 13). (If there are 2 holes present at the top of the upright, mount the pulley and eyebolt through the **top** hole.) Attach a fixed pulley (Item No. 4) through the middle set of holes using 1/4"-20 x 4-1/2" hex bolt (Item No. 5) and 1/4"-20 nylon lock nuts (Item No. 18). Attach one cleat (Item No. 6) through the lower set of holes using 1/4"-20 x 5-1/2" hex bolts (Item No. 7) and 1/4"-20 nylon lock nuts (Item No. 18). Cap threads with 1/4" -20 acorn nuts (Item No. 19). Thread hoisting rope (Item No. 12) with attached pear clip (Item No. 16) through top pulley, middle pulley, and secure to cleat. After concrete cures, slowly lower assembled upright into ground sleeve. Repeat procedures to assemble other five uprights.

Step No. 5
Hanging Main Net

Lower hoisting rope w/ attached pear clip (Item Nos. 12 & 16) to about 4 ft. above ground level. (Keep end of rope secured to cleat so you don't lose the rope!) Layout the main net and attach the

**CDC
NCAA DISCUS CAGE
LAYOUT AND INSTALLATION INSTRUCTIONS**

**See Drawing No.
CDC-C-002** swivel snap on the end of the hoisting rope to the framing rope on the top border of the net. (It is best to find the top center of the net first, attach the pear clips at poles #2 & 3 at the appropriate distance, and then work your way out to both ends.) After the entire net is snapped into position, raise the net all the way by the hoisting rope and secure the end of the rope firmly and professionally to the cleat. (Consult former Navy personnel or Scout for proper method.)

***Barrier Net
(Optional)** Attach post collars with attached Pear Clips (Item Nos. 16 & 20) to each upright with the pear clip facing the rear of the upright, one should be position at the bottom and one should be positioned 7'-0" up the post. Layout barrier net, and attach frame of net to pear clips. (Any excess net may be wrapped around and laced to the upright.)

FOR TECHNICAL ASSISTANCE, CALL 1-800-523-5471

K:\AAE Data\PDF Files\Z-Product Instructions & Parts Lists\Track & Field\CDC\CDC Installation Instructions.doc
Copyright © 2010 Aluminum Athletic Equipment Co.