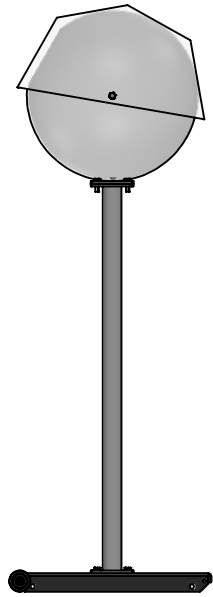
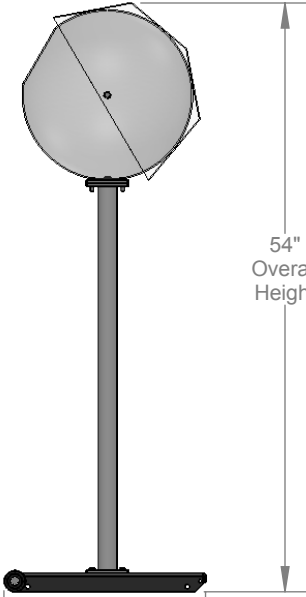


Chalk Stand - Specifications

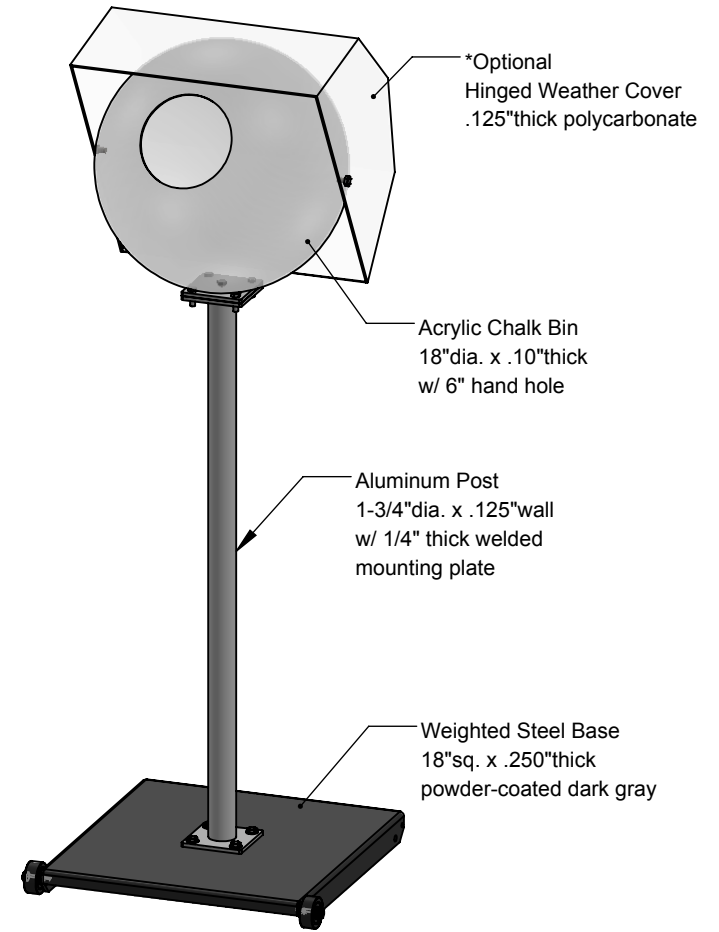


OPEN



CLOSED

TRUE \varnothing 6.000
 \varnothing 16.000



*Optional Hinged Weather Cover
 .125" thick polycarbonate

Acrylic Chalk Bin
 18" dia. x .10" thick
 w/ 6" hand hole

Aluminum Post
 1-3/4" dia. x .125" wall
 w/ 1/4" thick welded
 mounting plate

Weighted Steel Base
 18" sq. x .250" thick
 powder-coated dark gray



Aluminum Athletic Equipment
 1000 Enterprise Drive, Royersford, PA 19468
 Toll Free: (800) 523-5471 Fax: (610) 825-2378
www.AAEsports.com

DESCRIPTION:		
Chalk Stand - Specifications		
NOTE:		
Portable Base with Optional Weather Cover		
MODEL:	CATEGORY:	DATE:
CS-B	CUSTOMER	2/24/16
DWN. BY:	CAD FILE:	DWG. NO.:
TAD	Chalk Stand - Specs	CS-B-C-001