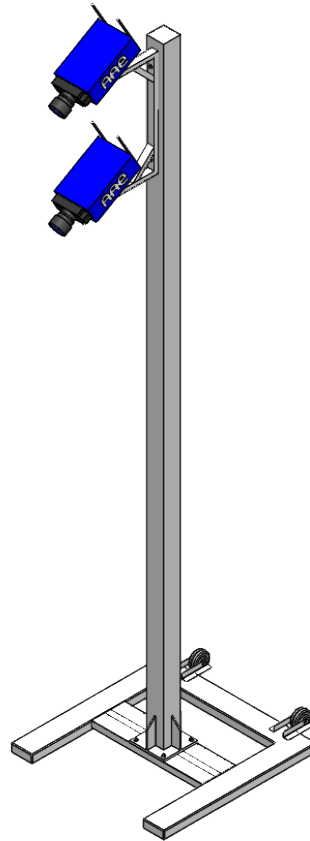
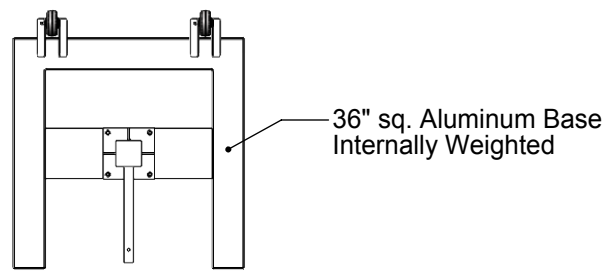
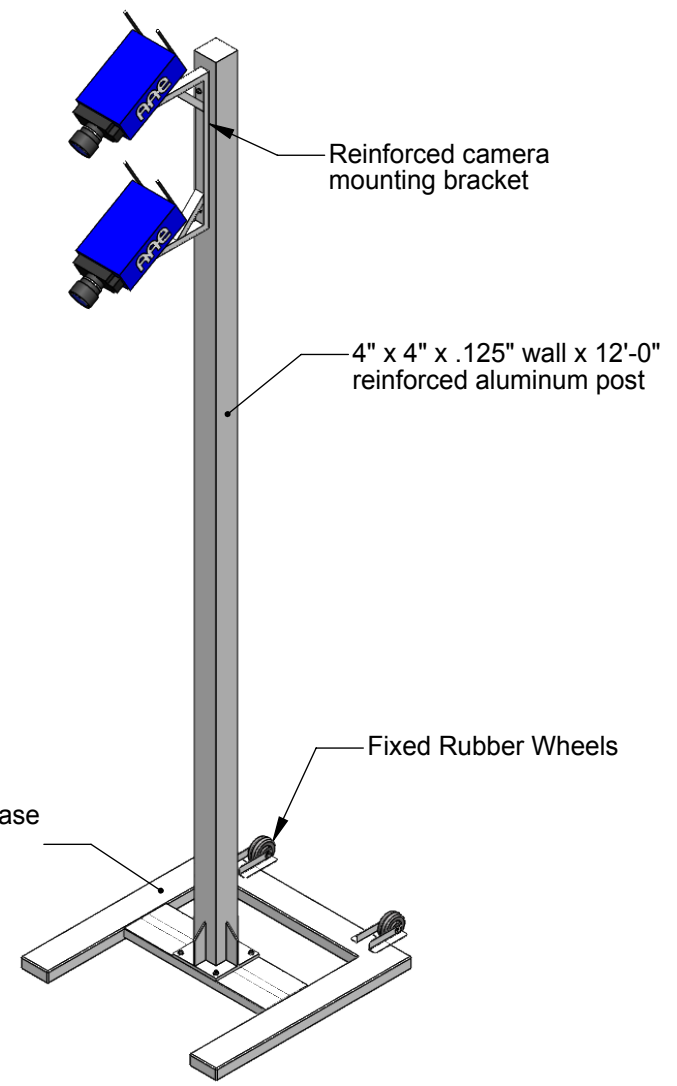
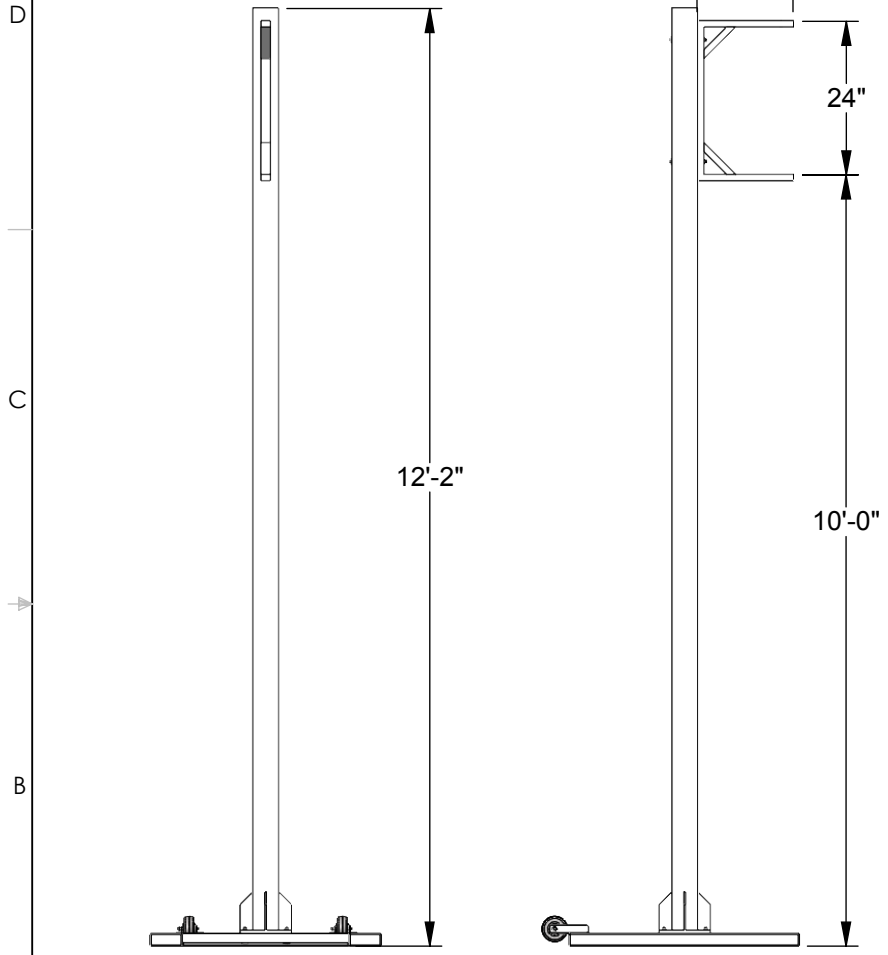



AAE Model No. CSP-B Camera Support Post with Base



Aluminum Athletic Equipment
1000 Enterprise Drive, Royersford, PA 19468
Toll Free: (800) 523-5471 Fax: (610) 825-2378
www.AAEsports.com

CSP-B - Camera Support Post with Base Specifications

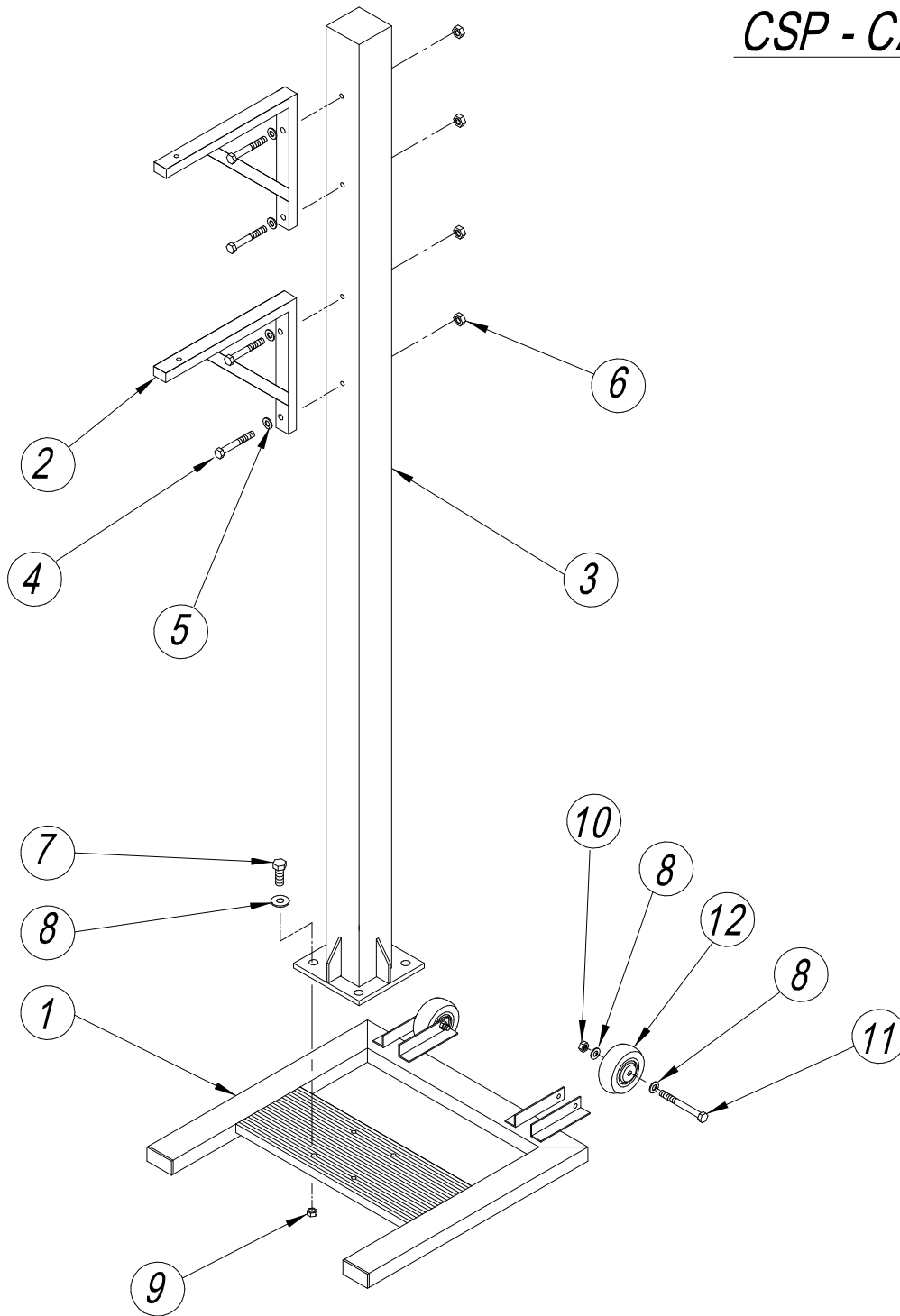




Aluminum Athletic Equipment
 1000 Enterprise Drive, Royersford, PA 19468
 Toll Free: (800) 523-5471 Fax: (610) 825-2378
www.AAEsports.com

DESCRIPTION			
Camera Support Post w/ Rollaway Base			
NOTE: New Style with Weighted Aluminum Base			
MODEL:	FINISHED ITEM #:	OPERATION ITEM #:	DATE:
CSP-B			2/16/01
DRAWN BY:	CAD FILE:	DWG. NO.	
TAD		CSP-B-C-001	

CSP - CAMERA SUPPORT POST ASSEMBLY



AAE

**ALUMINUM
ATHLETIC
EQUIPMENT**

4 Portland Road, West Conshohocken, PA 19428
Phone: (610)-825-6565 Toll-free: 1-800-523-5471

DESCRIPTION

CSP - ISOMETRIC ASSEMBLY

MODEL NO.

CSP

ITEM

DATE:

10/23/98

DWN. BY:

REV.

DWG. NO.

AAE-271

**CSP
CAMERA SUPPORT POST
ASSEMBLY INSTRUCTIONS**

ASSEMBLY:

1. To ease assembly, assemble the following parts with the aluminum base vertical to the ground, and the main upright horizontal to the ground.
2. Attach Main Upright (#3) to Aluminum Base (#1) using 1/2" -13 x 3/4" stainless steel hex head bolts, 1/2" flat washers and 1/2" hex nuts (#'s 7,8 & 9). Tighten all bolts firmly before continuing.
3. Attach Camera Support Bracket (#2) to Main Upright (#3) using 3/8"-16 x 6" stainless steel hex head bolts, 3/8" flat washers, & 3/8"-16 hex nuts (#'s 4,5 &6)
4. Attach rubber wheels (#12) to mounting angles using 7/16"-18 x 3" stainless steel hex head bolts, 1/2" flat washers, and 7/16"-18 hex nuts (#'s 8,10, &11)

MAINTENANCE & CARE:

1. The Camera Support Post should be sandbagged or weighted down during use in moderate to heavy winds.
2. Re-tighten hardware and lubricate the bore of the rubber wheels periodically.

FOR TECHNICAL ASSISTANCE, CALL 1-800-523-5471

CSP – CAMERA SUPPORT POST PARTS LIST

Pt.#	Item	Description	Qty.
1	Base	36" x 36" custom fabricated aluminum base	1
2	Camera Bracket	12" x 15" Camera Support Bracket	2
3	Main Upright	4" square x .125" wall x 12'-0" long welded upright w/ 8" x 8" x .250" base	1
4	Bolt	3/8" –16 x 6" stainless steel hex bolt	4
5	Washer	3/8" stainless steel flat washer	4
6	Nut	3/8"-16 stainless steel hex nut	4
7	Bolt	1/2"-13 x 3/4" stainless steel hex bolt	4
8	Washer	1/2" stainless steel flat washer	8
9	Nut	1/2"-13 stainless steel hex nut	4
10	Nut	7/16"-18 stainless steel hex nut	2
11	Bolt	7/16"-18 x 3" stainless steel hex bolt	2
12	Wheel	4" dia. X 1-3/4" thick rubber wheel	2

FOR TECHNICAL ASSISTANCE, CALL 1-800-523-5471