

**AAE Model No.: CTB-12**

# CTB-12 - NCAA Take-Off Board System

## 8" Take-Off Board with 4" Foul Strip

### Contractor-Applied Synthetic Surface Assembly

D

C

B

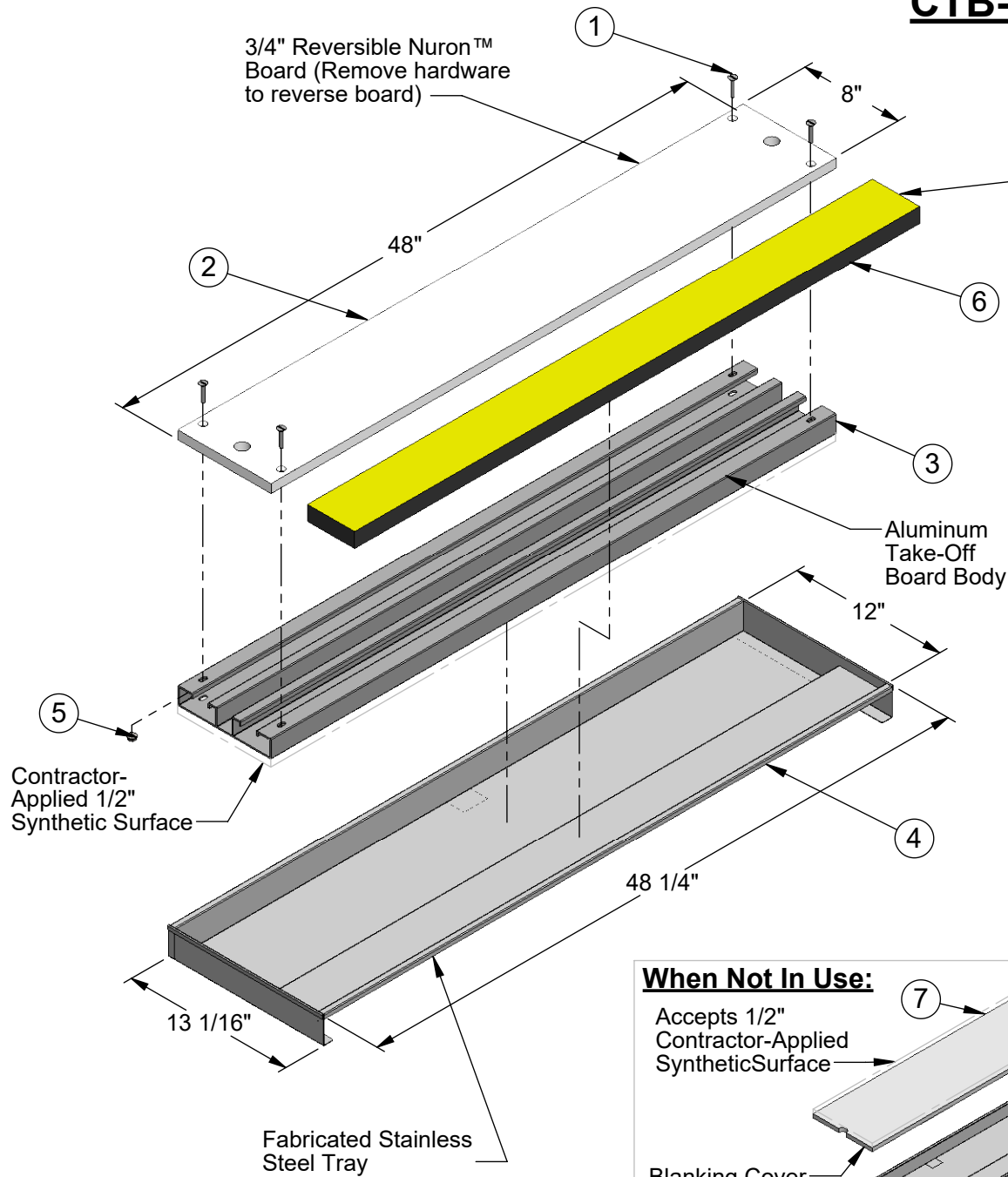
A

D

C

B

A



Synthetic Foul Strip  
(Top Surface  
Painted Yellow)

Aluminum  
Take-Off  
Board Body

Contractor-  
Applied 1/2"  
Synthetic Surface

Fabricated Stainless  
Steel Tray

#### When Not In Use:

Accepts 1/2"  
Contractor-Applied  
Synthetic Surface

Blanking Cover

*\* Meets & Exceeds NCAA Regulations \**

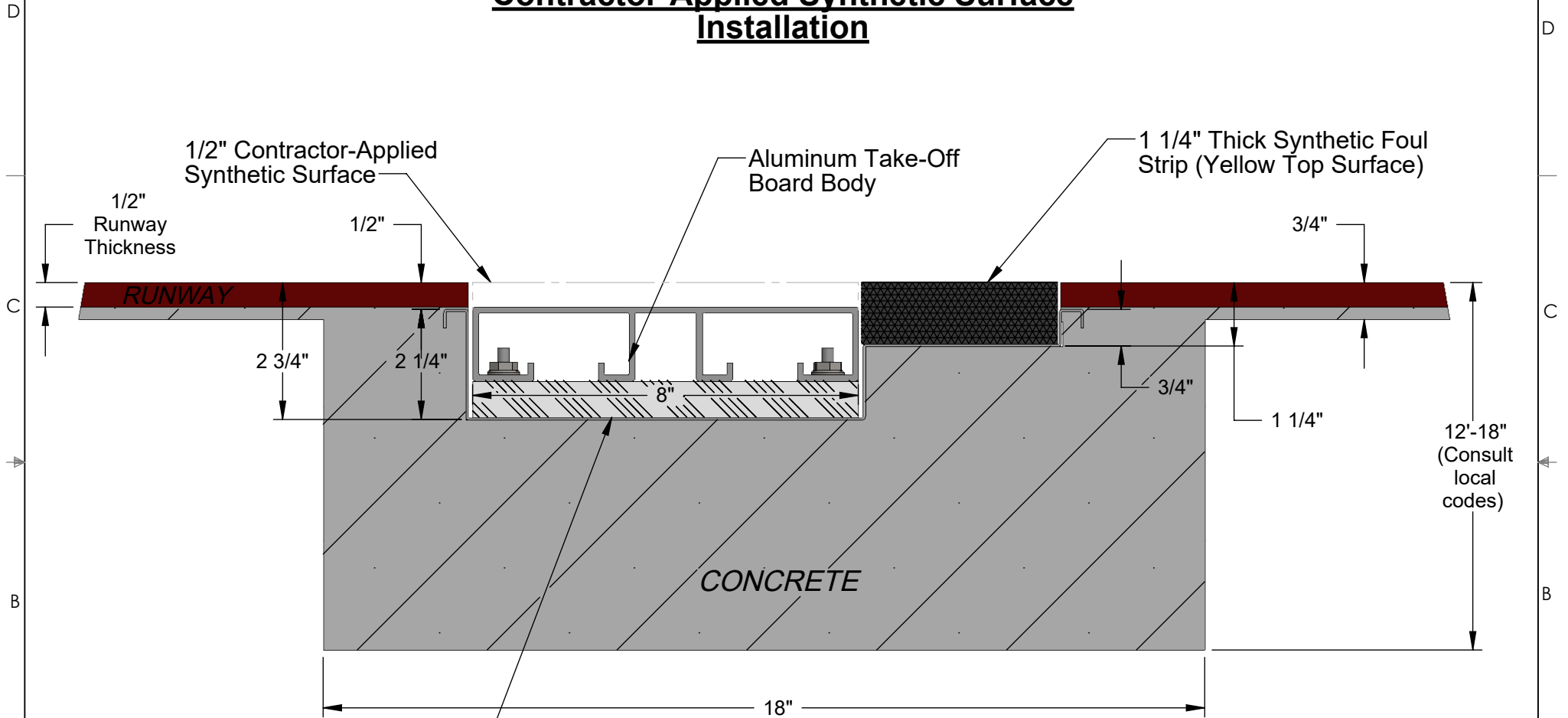
Item	Description	Qty.
1	1/4"-20 x 1-1/4" Fl. Hd. Mach. Screw, S.S.	4
2	2BL Board: 3/4" x 8" x 48" Reversible Nuron™ Board (White Entirely Through Board)	1
3	Aluminum Take-Off Board Body: 1-1/2" x 8" x 48"	1
4	12ST Stainless Steel Tray: 2-1/4" x 12-1/4" x 49"	1
5	1/4"-20 Wiz Lock Nut, S.S.	8
6	Synthetic Foul Strip 1-1/4" x 4" x 48"	1
7	Blanking Cover 3/4" (1-1/2" with surface) x 12" x 48"	1



**Aluminum Athletic Equipment**  
1000 Enterprise Drive, Royersford, PA 19468  
Toll Free: (800) 523-5471 Fax: (610) 825-2378  
www.AAEsports.com

DESCRIPTION:		
<b>CTB-12 - NCAA Take-Off Board System</b>		
NOTE: with Synthetic Foul Strip; Ready for Contractor-Applied Synthetic Surface		
MODEL:	CATEGORY:	DATE:
CTB-12	<b>CUSTOMER</b>	08/23/11
DWN. BY:	CAD FILE:	DWG. NO.:
ARP	CTB-12 Packet	CTB-12-C-001

**CTB-12 - NCAA Take-Off Board System**  
**8" Take-Off Board with 4" Foul Strip**  
**Contractor-Applied Synthetic Surface**  
**Installation**



3/4" Thick Reversible  
Nuron™ Take-Off Board



**Aluminum Athletic Equipment**  
 1000 Enterprise Drive, Royersford, PA 19468  
 Toll Free: (800) 523-5471 Fax: (610) 825-2378  
 www.AAEsports.com

DESCRIPTION:		
<b>CTB-12 - Installation</b>		
NOTE: 8" Take-Off Board and 4" Foul Strip without Synthetic Surface		
MODEL:	CATEGORY:	DATE:
CTB-12	<b>CUSTOMER</b>	08/23/11
DWN. BY:	CAD FILE:	DWG. NO.:
ARP	CTB-12 Packet	CTB-12-C-002