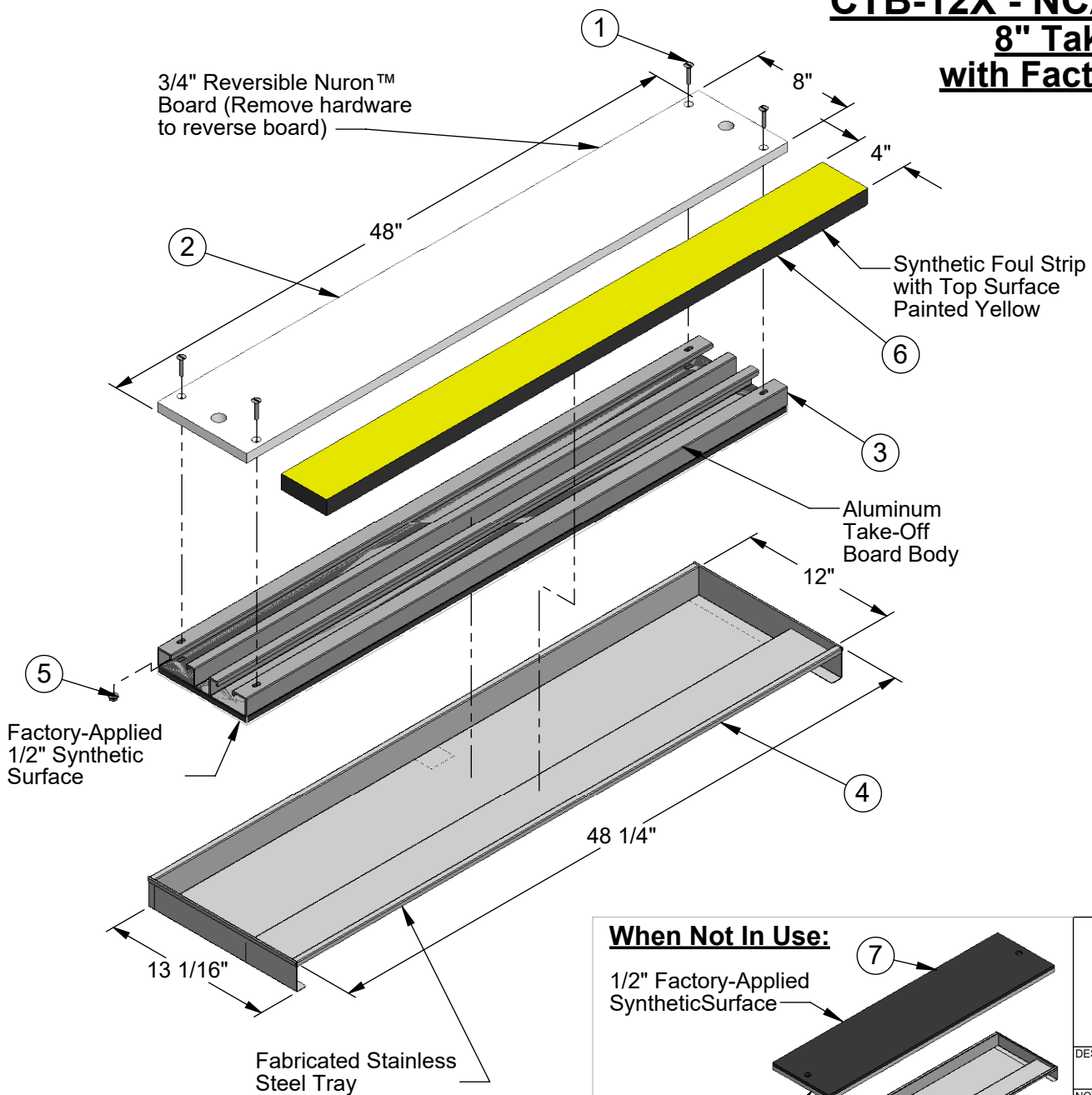


AAE Model No.: CTB-12X

CTB-12X - NCAA Take-Off Board System

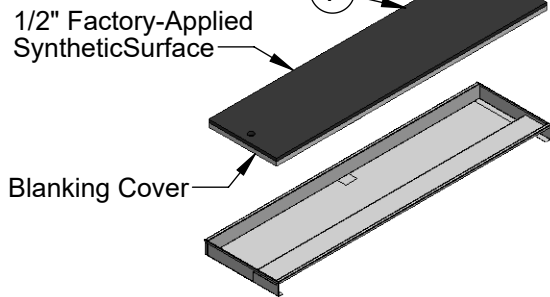
8" Take-Off Board with 4" Foul Strip with Factory-Applied Synthetic Surface Assembly

D
C
B
A



Item	Description	Qty.
1	1/4"-20 x 1-1/4" Fl. Hd. Mach. Screw, S.S.	4
2	2BL Board: 3/4" x 8" x 48" Reversible Nuron™ Board (White Entirely Through Board)	1
3	Aluminum Take-Off Board Body: 1-1/2" x 8" x 48"	1
4	12ST Stainless Steel Tray: 2-1/4" x 12-1/4" x 49"	1
5	1/4"-20 Wiz Lock Nut, S.S.	4
6	Synthetic Foul Strip 1-1/4" x 4" x 48"	1
7	Blanking Cover with Synthetic Surface: 1-1/2" x 12" x 48"	1

When Not In Use:

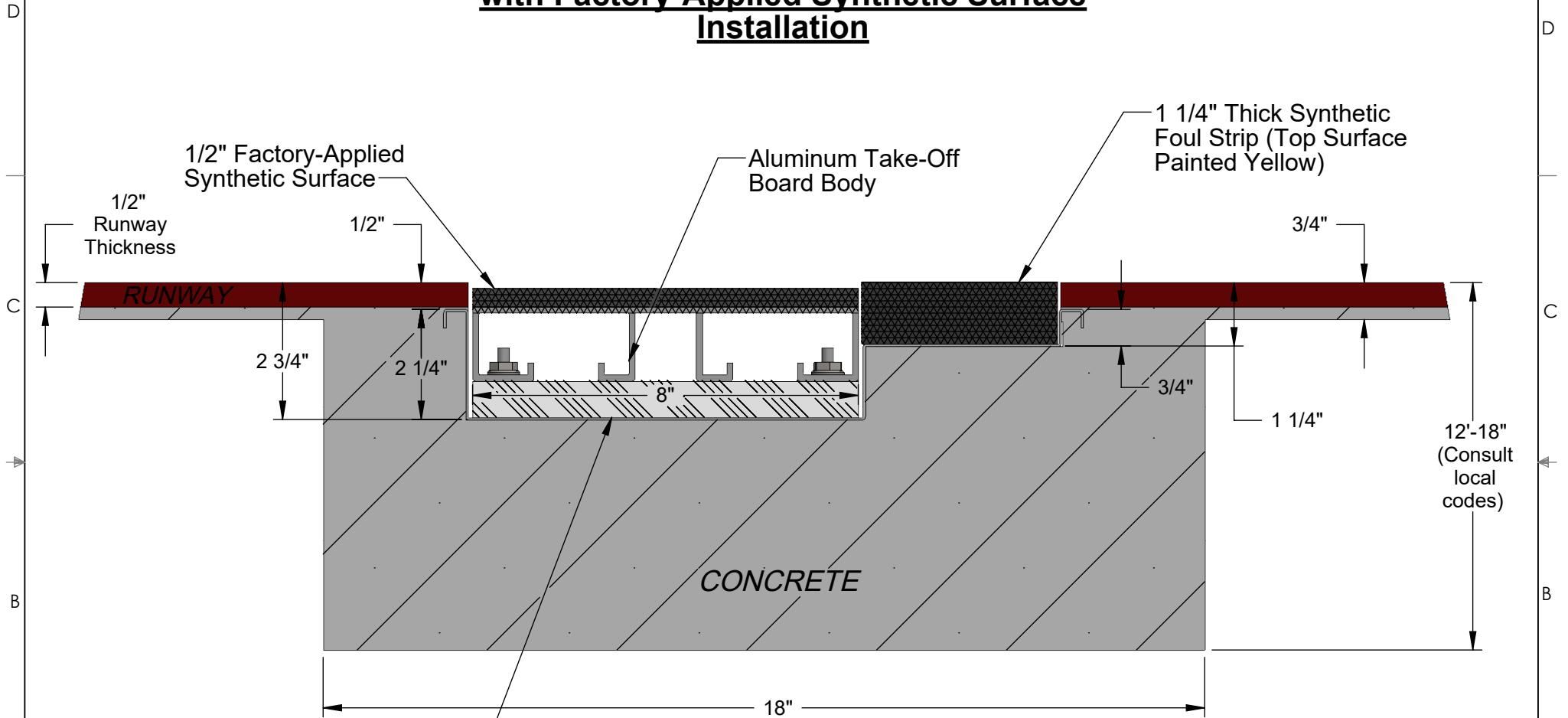


Aluminum Athletic Equipment
1000 Enterprise Drive, Royersford, PA 19468
Toll Free: (800) 523-5471 Fax: (610) 825-2378
www.AAEsports.com

DESCRIPTION: CTB-12X - NCAA Take-Off Board System		
NOTE: with Synthetic Foul Strip & Factory-Applied Synthetic Surface		
MODEL: CTB-12X	CATEGORY: CUSTOMER	DATE: 08/23/11
DWN. BY: ARP	CAD FILE: CTB-12X Packet	DWG. NO. CTB-12X-C-001

** Meets & Exceeds NCAA Regulations **

CTB-12X - NCAA Take-Off Board System
8" Take-Off Board with 4" Foul Strip
with Factory-Applied Synthetic Surface
Installation



3/4" Thick Reversible Nuron™ Take-Off Board



Aluminum Athletic Equipment
 1000 Enterprise Drive, Royersford, PA 19468
 Toll Free: (800) 523-5471 Fax: (610) 825-2378
 www.AAEsports.com

DESCRIPTION:		
CTB-12X - Installation		
NOTE:		
8" Take-Off Board and 4" Foul Strip with Synthetic Surface		
MODEL:	CATEGORY:	DATE:
CTB-12X	CUSTOMER	08/23/11
DWN. BY:	CAD FILE:	DWG. NO.:
ARP	CTB-12X Packet	CTB-12X-C-002