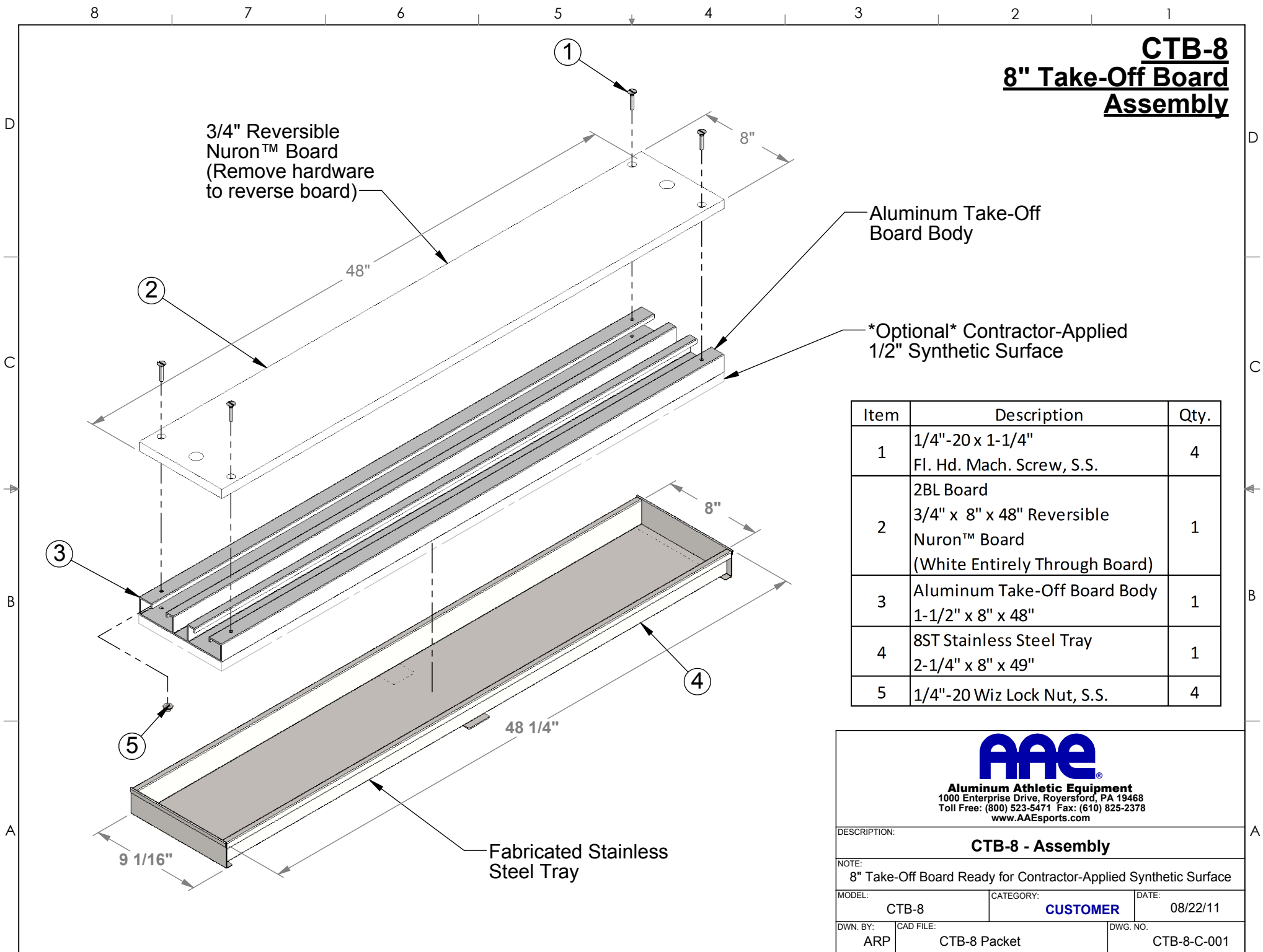


# CTB-8 8" Take-Off Board



**Aluminum Athletic Equipment**  
1000 Enterprise Drive, Royersford, PA 19468  
Toll Free: (800) 523-5471 Fax: (610) 825-2378  
[www.AAEsports.com](http://www.AAEsports.com)

# CTB-8 8" Take-Off Board Assembly



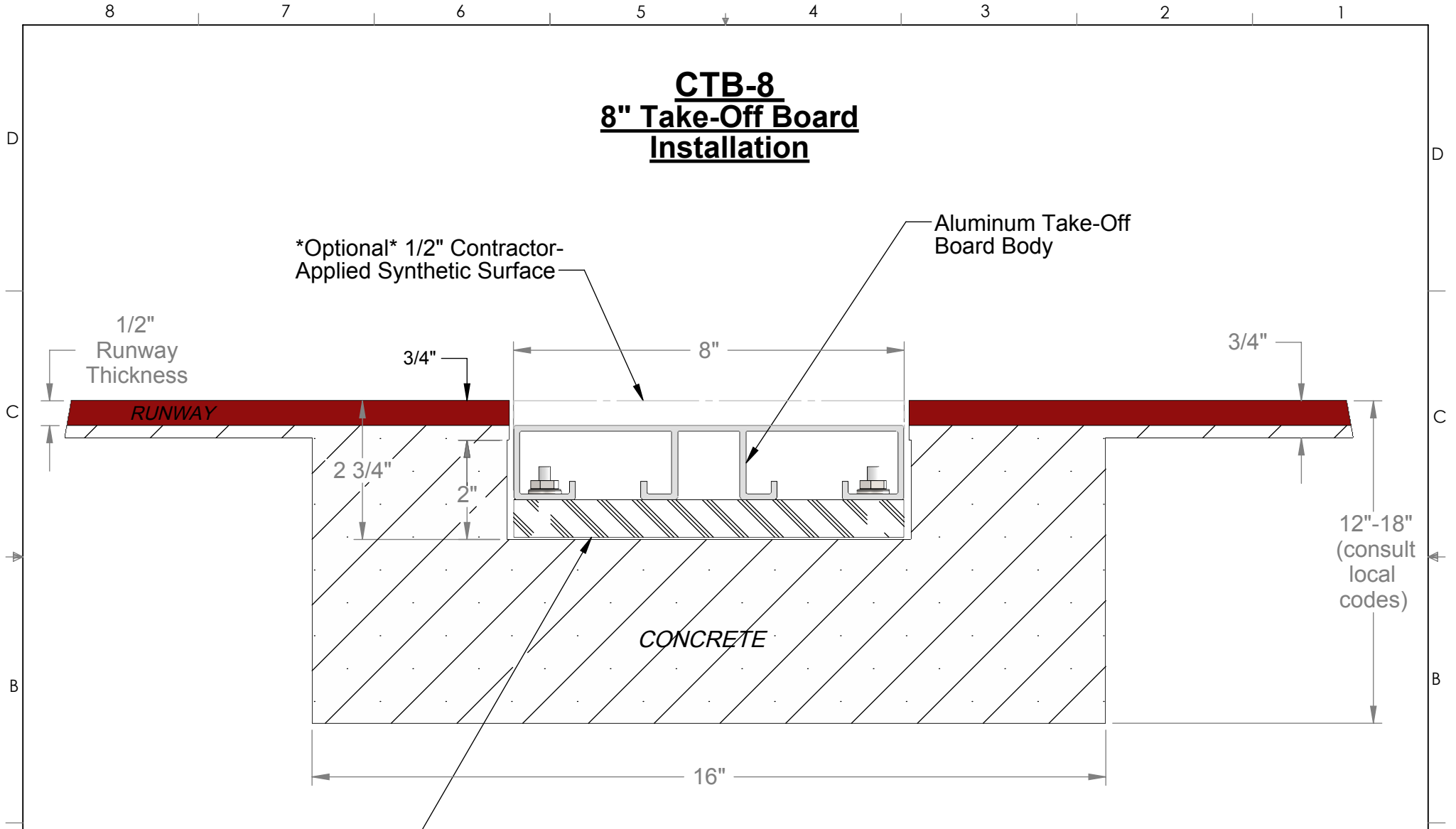
Item	Description	Qty.
1	1/4"-20 x 1-1/4" Fl. Hd. Mach. Screw, S.S.	4
2	2BL Board 3/4" x 8" x 48" Reversible Nuron™ Board (White Entirely Through Board)	1
3	Aluminum Take-Off Board Body 1-1/2" x 8" x 48"	1
4	8ST Stainless Steel Tray 2-1/4" x 8" x 49"	1
5	1/4"-20 Wiz Lock Nut, S.S.	4




**Aluminum Athletic Equipment**  
1000 Enterprise Drive, Royersford, PA 19468  
Toll Free: (800) 523-5471 Fax: (610) 825-2378  
www.AAEsports.com

DESCRIPTION:		
<b>CTB-8 - Assembly</b>		
NOTE: 8" Take-Off Board Ready for Contractor-Applied Synthetic Surface		
MODEL:	CATEGORY:	DATE:
CTB-8	<b>CUSTOMER</b>	08/22/11
DWN. BY:	CAD FILE:	DWG. NO.:
ARP	CTB-8 Packet	CTB-8-C-001

# CTB-8 8" Take-Off Board Installation



3/4" Thick Reversible  
Nuron™ Take-Off Board



**Aluminum Athletic Equipment**  
1000 Enterprise Drive, Royersford, PA 19468  
Toll Free: (800) 523-5471 Fax: (610) 825-2378  
www.AAEsports.com

DESCRIPTION:		
<b>CTB-8 - Installation</b>		
NOTE:		
8" Take-Off Board Ready for Contractor-Applied Synthetic Surface		
MODEL:	CATEGORY:	DATE:
CTB-8	<b>CUSTOMER</b>	08/22/11
DWN. BY:	CAD FILE:	DWG. NO.:
ARP	CTB-8 Packet	CTB-8-C-002

**CTB-8**  
**8" TAKE-OFF BOARD WITH CONTRACTOR-APPLIED SYNTHETIC SURFACE**  
**INSTALLATION AND OPERATION INSTRUCTIONS**

---

**INSTALLATION:**

1. Dig a hole approximately 16" x 60" x 12" (Consult local codes for concrete depth and drainage requirements) in the proper location for the long and triple jumps.
2. Position a wooden concrete form in the hole so that the top of the wooden frame is 3/4" below the top level of the finished synthetic runway surface.
3. Fill the void with concrete to establish a level of 2" below the top of the wooden concrete form. *(Note: Overall 2-3/4" from finished runway surface)*
4. While the concrete is still in a semi-pliable state, position and level the 8ST stainless steel tray (Item No. 4) with the 8BL take-off board (Item Nos. 1, 2, 3, & 5 assembled) in place, **so that the top of the 8BL board is exactly 1/2" below the top of the finished synthetic runway surface.** Check the level of the take-off board in both directions.
5. Make a cement mix (1:2). Pour this around the tray, beneath the curved edge and to the top of the tray.
6. After cement hardens, remove the wooden form and fill the void with asphalt.
7. The top of the board is 1/2" below the top of the finished runway surface. The contractor should apply 1/2" synthetic surface to the aluminum side of the 8BL take-off board, so it is uniform and level with the finished runway surface. Check all levels.
8. The top of the tray is 3/4" below the top of the finished synthetic runway surface. Pour the synthetic surface on the runway so that it is flush and level with both the runway and the top of the finished take-off board. **(Consult sports surfacing company for recommended and proper application of synthetic surface.)**

**OPERATION:**

1. When the event is NOT being run, the synthetic surface (contractor applied) side of the board should be up.
2. Position the board with the white Nuron™ side up for practice or competition.
3. Use either surface of the Nuron™ board for practice or competition.
4. The Nuron™ board can be reversed or replaced as needed due to wear and tear.
5. When the season is over, remove board for storage and fill void with a synthetic plug or sand. **(Consult sports surfacing company for recommended and proper application of synthetic material.)**

**FOR TECHNICAL ASSISTANCE, CALL 1-800-523-5471**

K:\AAE Data\Product Instructions & Parts Lists\Track & Field\CTB-8\CTB-8 Installation Instructions.doc  
Copyright © 2011 Aluminum Athletic Equipment Co.