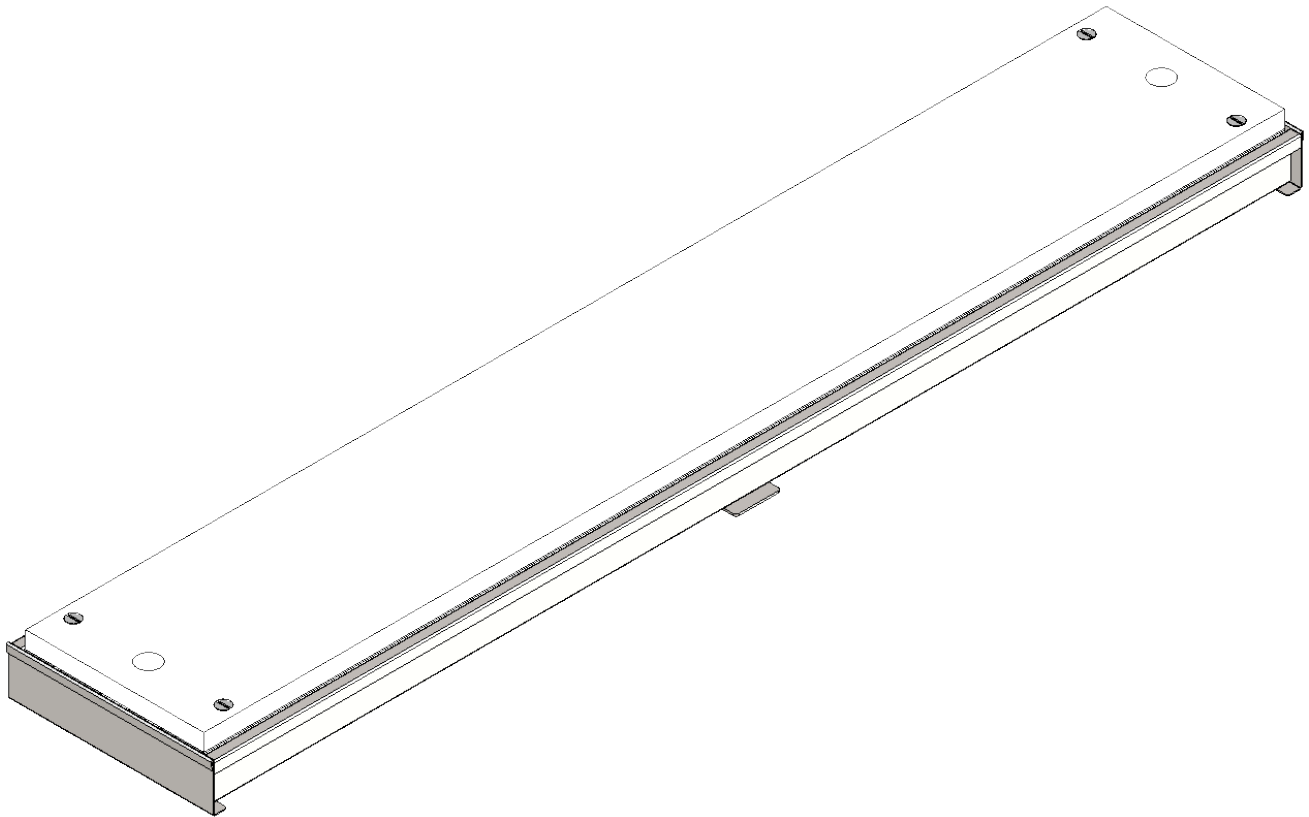
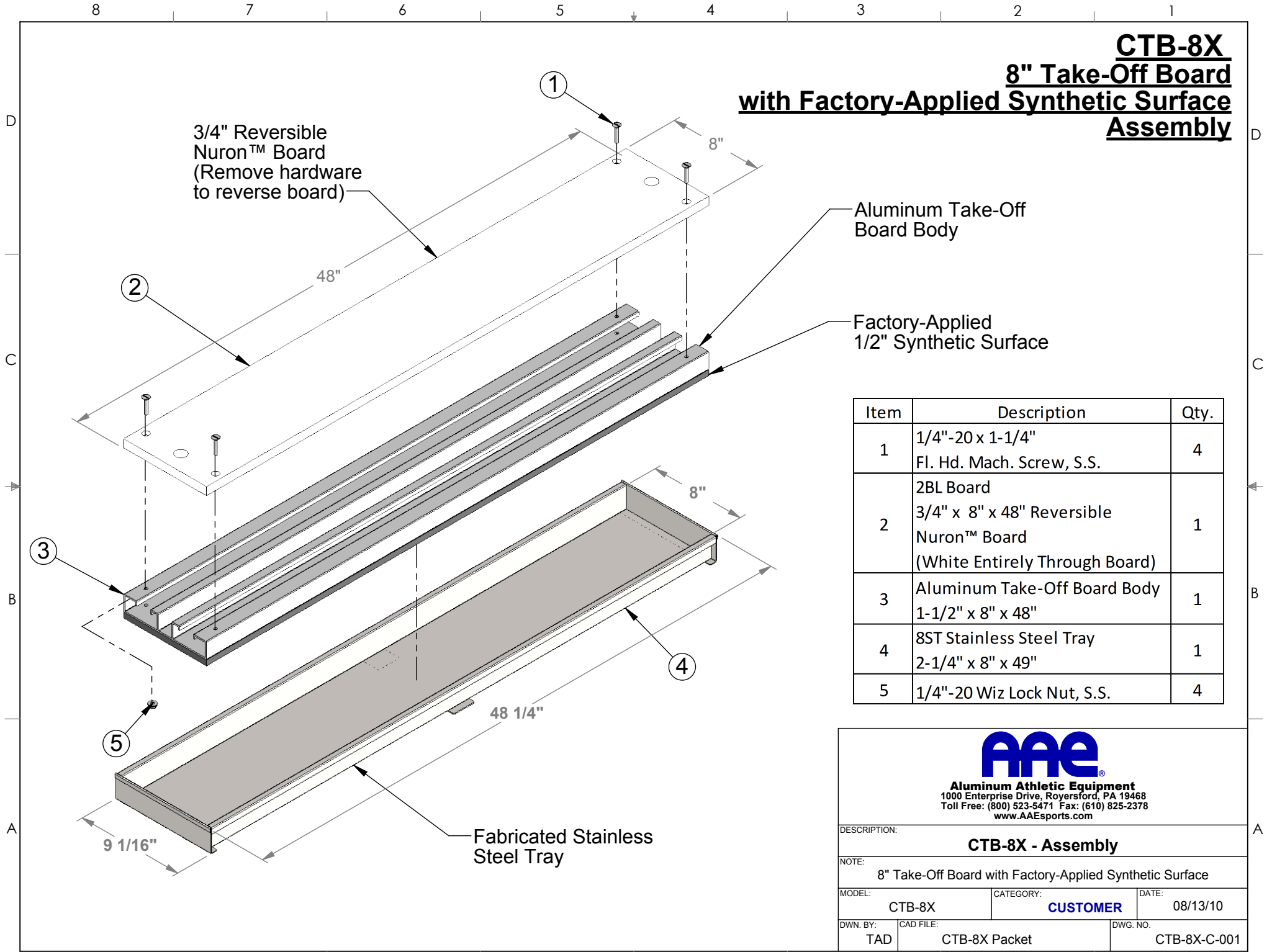


AAE Model No. CTB-8X
8" Take-Off Board
with Factory-Applied Synthetic Surface



Aluminum Athletic Equipment
1000 Enterprise Drive, Royersford, PA 19468
Toll Free: (800) 523-5471 Fax: (610) 825-2378
www.AAEsports.com

CTB-8X 8" Take-Off Board with Factory-Applied Synthetic Surface Assembly



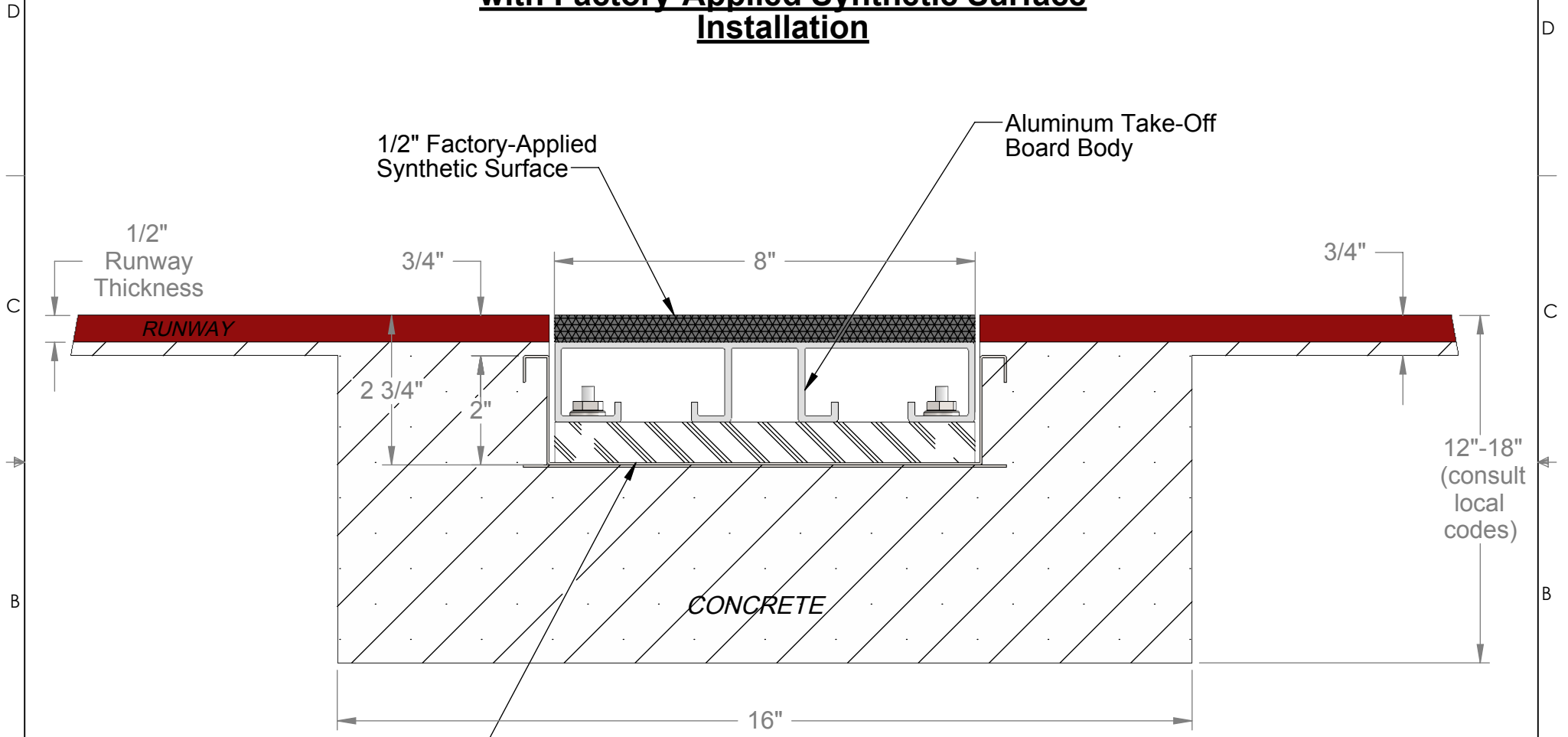
Item	Description	Qty.
1	1/4"-20 x 1-1/4" Fl. Hd. Mach. Screw, S.S.	4
2	2BL Board 3/4" x 8" x 48" Reversible Nuron™ Board (White Entirely Through Board)	1
3	Aluminum Take-Off Board Body 1-1/2" x 8" x 48"	1
4	8ST Stainless Steel Tray 2-1/4" x 8" x 49"	1
5	1/4"-20 Wiz Lock Nut, S.S.	4



Aluminum Athletic Equipment
1000 Enterprise Drive, Royersford, PA 19468
Toll Free: (800) 523-5471 Fax: (610) 825-2378
www.AAEsports.com

DESCRIPTION:		
CTB-8X - Assembly		
NOTE: 8" Take-Off Board with Factory-Applied Synthetic Surface		
MODEL: CTB-8X	CATEGORY: CUSTOMER	DATE: 08/13/10
DWN. BY: TAD	CAD FILE: CTB-8X Packet	DWG. NO. CTB-8X-C-001

CTB-8X 8" Take-Off Board with Factory-Applied Synthetic Surface Installation



3/4" Thick Reversible
Nuron™ Take-Off Board



Aluminum Athletic Equipment
1000 Enterprise Drive, Royersford, PA 19468
Toll Free: (800) 523-5471 Fax: (610) 825-2378
www.AAEsports.com

DESCRIPTION:		
CTB-8X - Installation		
NOTE: 8" Take-Off Board with Factory-Applied Synthetic Surface		
MODEL: CTB-8X	CATEGORY: CUSTOMER	DATE: 08/13/10
DWN. BY: TAD	CAD FILE: CTB-8X Packet	DWG. NO. CTB-8X-C-002

CTB-8X
8" TAKE-OFF BOARD WITH FACTORY-APPLIED SYNTHETIC SURFACE
INSTALLATION AND OPERATION INSTRUCTIONS

INSTALLATION:

1. Dig a hole approximately 16" x 60" x 12" (Consult local codes for concrete depth and drainage requirements) in the proper location for the long and triple jumps.
2. Position a wooden concrete form in the hole so that the top of the wooden frame is 3/4" below the top level of the finished synthetic runway surface.
3. Fill the void with concrete to establish a level of 2" below the top of the wooden concrete form. *(Note: Overall 2-3/4" from finished runway surface)*
4. While the concrete is still in a semi-pliable state, position and level the 8ST stainless steel tray (Item No. 4) with the 8TW take-off board (Item Nos. 1, 2, 3, & 5 assembled) in place, **so that the top of the 8TW board is exactly the same level as the top of the finished synthetic runway surface.** Check the level of the take-off board in both directions.
5. Make a cement mix (1:2). Pour this around the tray, beneath the curved edge and to the top of the tray.
6. After cement hardens, remove the wooden form and fill the void with asphalt.
7. The top of the tray is 3/4" below the top of the finished synthetic runway surface. Pour the synthetic surface on the runway so that it is flush and level with both the runway and the top of the take-off board. **(Consult sports surfacing company for recommended and proper application of synthetic surface.)**

OPERATION:

1. When the event is NOT being run, the synthetic surface side of the board should be up.
2. Position the board with the white Nuron™ side up for practice or competition.
3. Use either surface of the Nuron™ board for practice or competition.
4. The Nuron™ board can be reversed or replaced as needed due to wear and tear.
5. When the season is over, remove board for storage and fill void with a synthetic plug or sand. **(Consult sports surfacing company for recommended and proper application of synthetic material.)**

FOR TECHNICAL ASSISTANCE, CALL 1-800-523-5471

K:\AAE Data\PDF Files\Product Instructions & Parts Lists\Track & Field\CTB-8X\CTB-8X Installation Instructions.doc
Copyright © 2011 Aluminum Athletic Equipment Co.