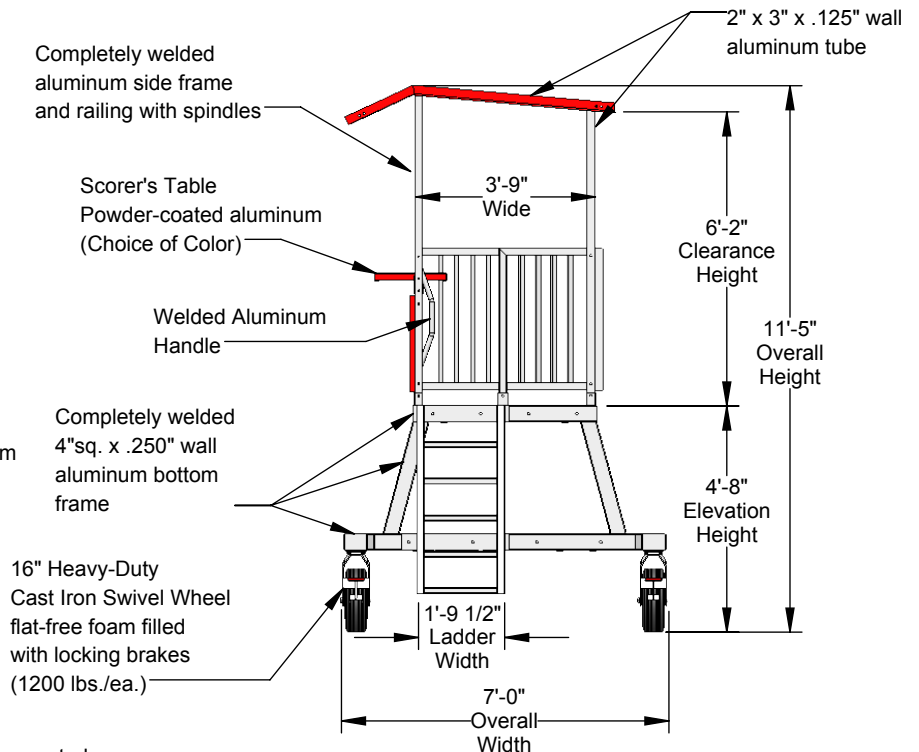
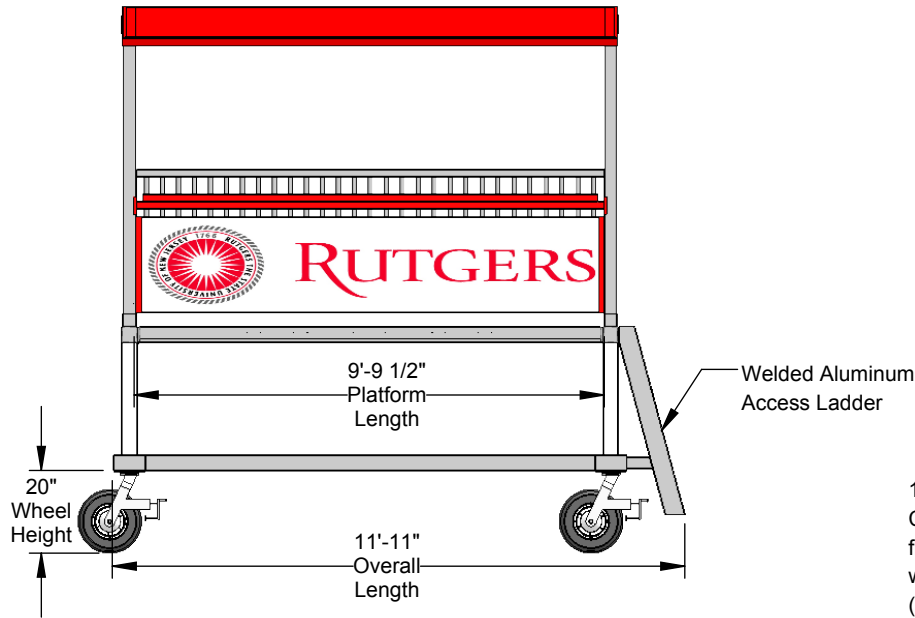



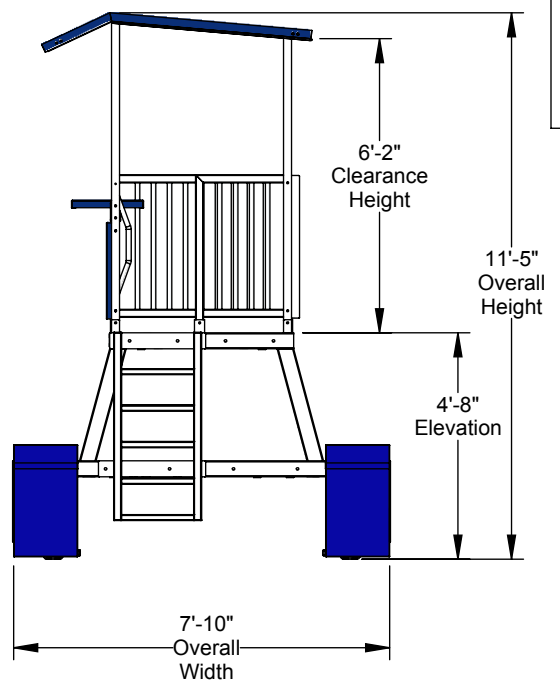
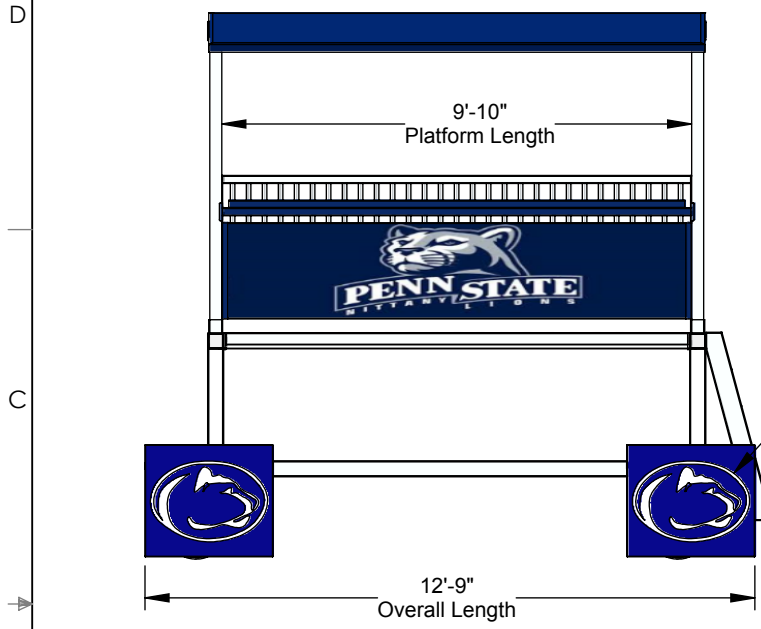
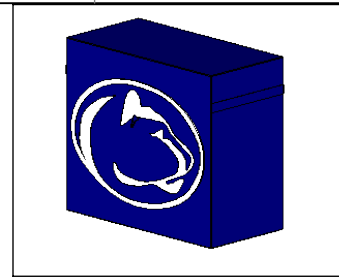
DONKEY-1

Specifications



 Aluminum Athletic Equipment 1000 Enterprise Drive, Royersford, PA 19468 Toll Free: (800) 523-5471 Fax: (610) 825-2378 www.AAEsports.com		
DESCRIPTION:		
DONKEY-1 - Specifications		
NOTE:		
Donkey-1 Base Model		
MODEL:	CATEGORY:	DATE:
DONKEY-1	CUSTOMER	1/19/2018
DWN. BY:	CAD FILE:	DWG. NO.:
CED	DONKEY-1-Specifications	DONKEY-1-C-001

DONKEY-1- WPP - Specifications (Wheel Protector Pads)



Custom logos not included, cost additional \$\$



Model No. DONKEY-WPP
Sold as a set of two (2)
Overall Size
28"H x 32"W x 16"D

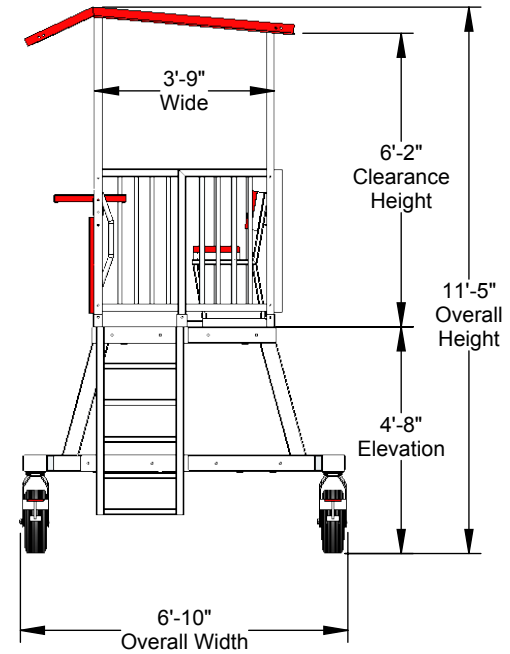
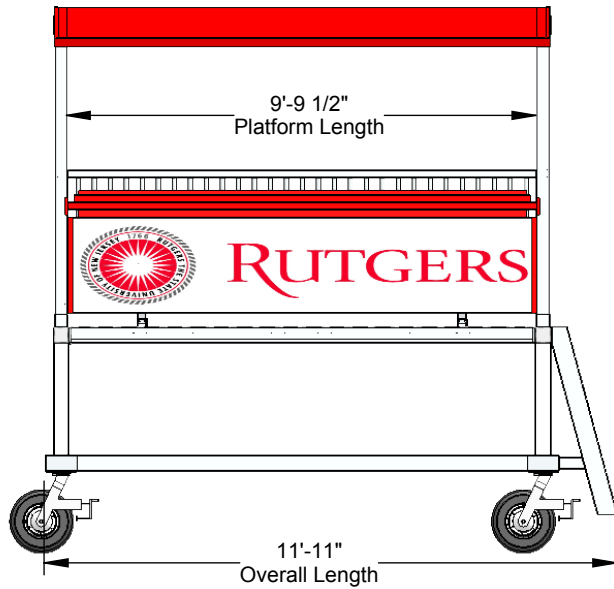
Model # DONKEY-WPP, Wheel Protector Pads, set of two (2), 4" thick foam encased in 18oz. knife-coated vinyl in customers choice of color, Nylon straps with plastic buckles hold the protector pad around the wheel; Overall Size 28"H x 32"W x 16"D

AAE
Aluminum Athletic Equipment
1000 Enterprise Drive, Royersford, PA 19468
Toll Free: (800) 523-5471 Fax: (610) 825-2378
www.AAEsports.com

DESCRIPTION: DONKEY-1-WPP - Specifications		
NOTE: Wheel Protector Pads		
MODEL: DONKEY-1-WPP	CATEGORY: CUSTOMER	DATE: 11/15/2017
DWN. BY: CED	CAD FILE: DONKEY-1-WPP	DWG. NO. DONKEY-1-WPP-C-001

DONKEY-1-SEAT CUSHIONS - Specifications

DONKEY-SC & DONKEY-BC



Optional: Model No.
DONKEY-SC & DONKEY-BC
Vinyl seat and backrest cushions
available in various colors

9'-4" Bench Width
(Seats 5-6 People)

Model # DONKEY-SC, Seat Cushion, and
Model # DONKEY-BC, Backrest Cushion, 18oz. vinyl
encased 2" thick foam; 2" wide Velcro flap attaches
cushion to aluminum plank; adds additional comfort



Aluminum Athletic Equipment
1000 Enterprise Drive, Royersford, PA 19468
Toll Free: (800) 523-5471 Fax: (610) 825-2378
www.AAEsports.com

DESCRIPTION:
DONKEY-1-Seat Cushions - Specifications

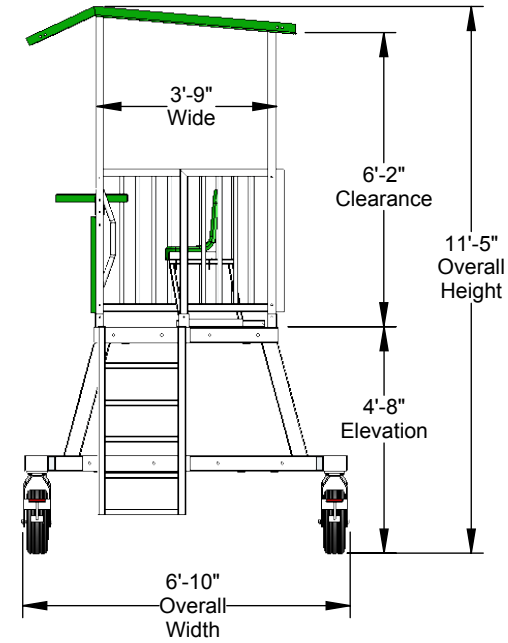
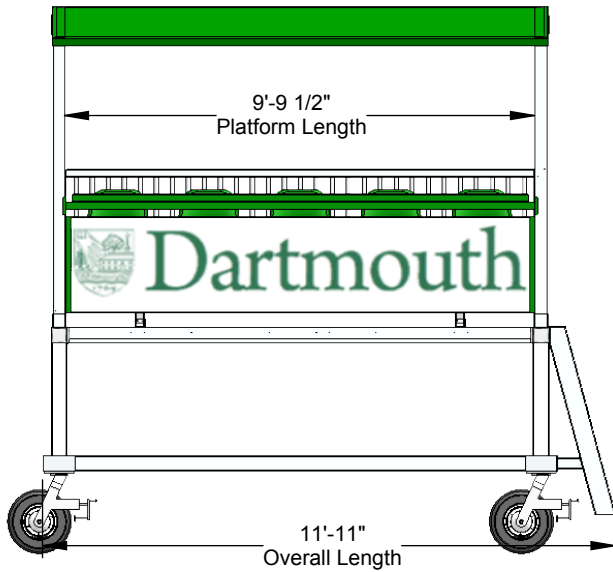
NOTE:
DONKEY-SC & DONKEY-BC

MODEL: DKY-1-SC/BC	CATEGORY: CUSTOMER	DATE: 11/15/2017
-----------------------	------------------------------	---------------------

DWN. BY: CED	CAD FILE: DONKEY-1-SC/BC	DWG. NO. DKY-1-SC/BC-C-000
-----------------	-----------------------------	-------------------------------

DONKEY-1-CS - Specifications

Custom Seating



Model No. DONKEY-CS
Contoured seats
for additional
comfort. Bench seating
also available as
specified per customer.



Contoured seating
(Seats 5 People)

Seating comes in a
variety of colors

Model # DONKEY-CS, Custom Seating, 11" wide aluminum plank bench seating; accommodates up to 6 people; contoured seating for additional comfort also available with customers specified color choice



Aluminum Athletic Equipment
1000 Enterprise Drive, Royersford, PA 19468
Toll Free: (800) 523-5471 Fax: (610) 825-2378
www.AAEsports.com

DESCRIPTION: **DONKEY-1-CS - Specifications**

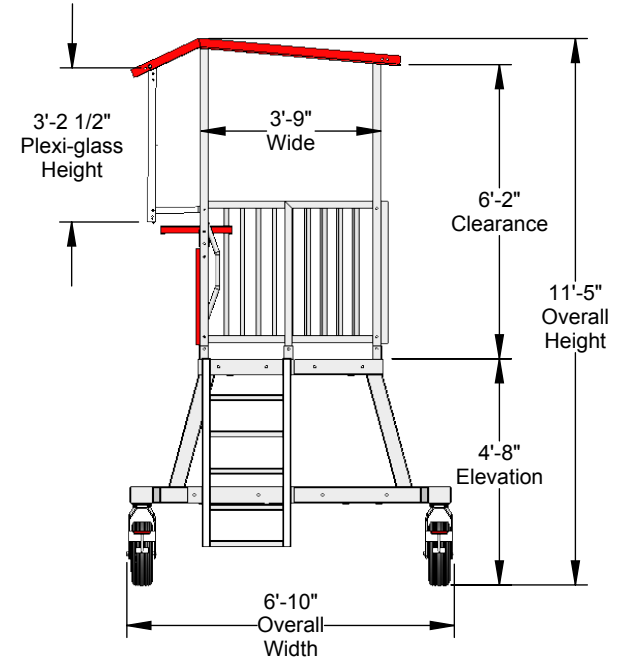
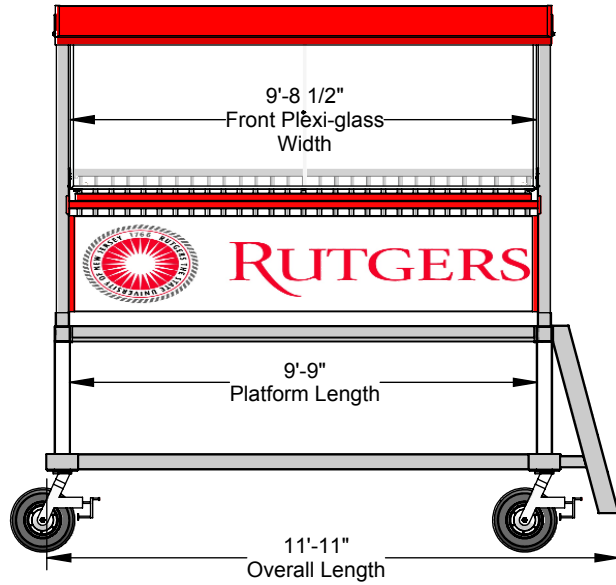
NOTE: Custom Seating

MODEL: DONKEY-1-CS	CATEGORY: CUSTOMER	DATE: 11/16/2017
--------------------	---------------------------	------------------

DWN. BY: CED	CAD FILE: DONKEY-1-CS	DWG. NO. DONKEY-1-CS-C-001
--------------	-----------------------	----------------------------

DONKEY-1-PFP - Specifications

Plexi-glass Front Panel



*Optional:
Model No. DONKEY-PFP
Plexi-Glass Front Panel
1/4" Thick Polycarbonate



Capable of being folded up

Model # DONKEY-PFP, Weather Front Panel; one (1) clear plexi-glass front panel; framed in custom aluminum extrusion with rubber gasket attaches to top canopy bolts; panel hinges up to canopy top when not in use; removable panel

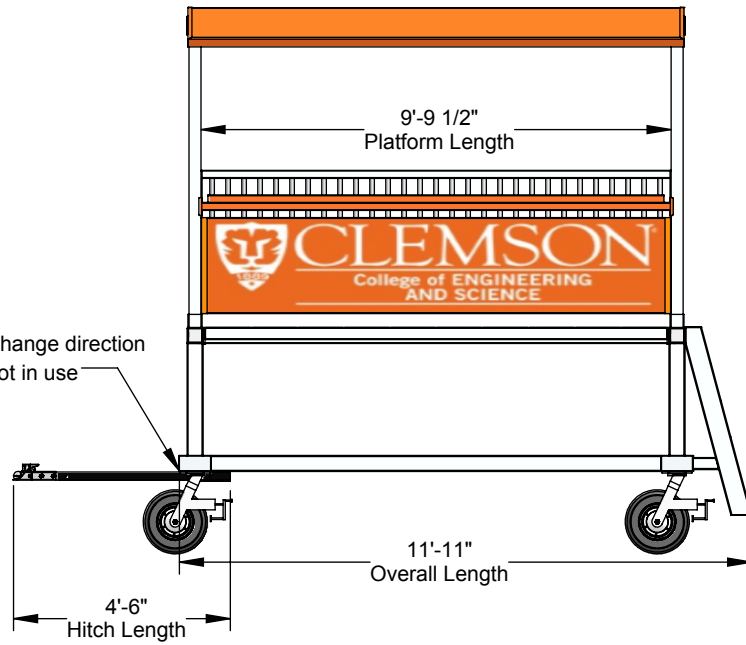


Aluminum Athletic Equipment
1000 Enterprise Drive, Royersford, PA 19468
Toll Free: (800) 523-5471 Fax: (610) 825-2378
www.AAEsports.com

DESCRIPTION:		
DONKEY-1-PFP - Specifications		
NOTE: Plexi-glass Front Panel		
MODEL:	CATEGORY:	DATE:
DONKEY-1-PFP	CUSTOMER	11/16/2017
DWN. BY:	CAD FILE:	DWG. NO.:
CED	DONKEY-1-PFP	DONKEY-1-PFP-C-001

DONKEY-1-HA - Specifications

Hitch Attachment



Model No. DONKEY-HA
Galvanized steel hinged arm with 2" coupler connects your Donkey to any utility vehicle for easy relocation (3MPH maximum tow speed)



Model # DONKEY-HA, Hitch Attachment with 2" ball coupler; allows unit to be towed by and vehicle with a 2" ball hitch (3mph max); 4' long galvanized steel square tube; galvanized steel/vinyl-coated black mounting plate with removable hinge pin allows for simple and convenient stow away

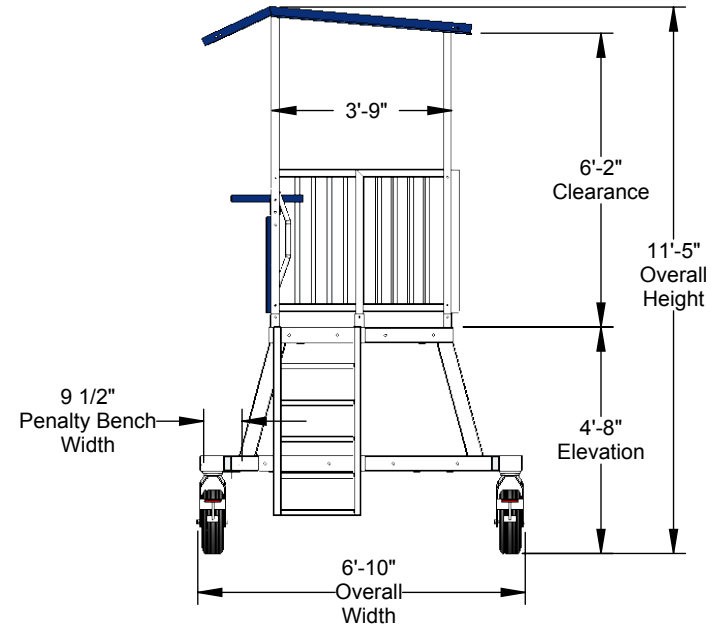
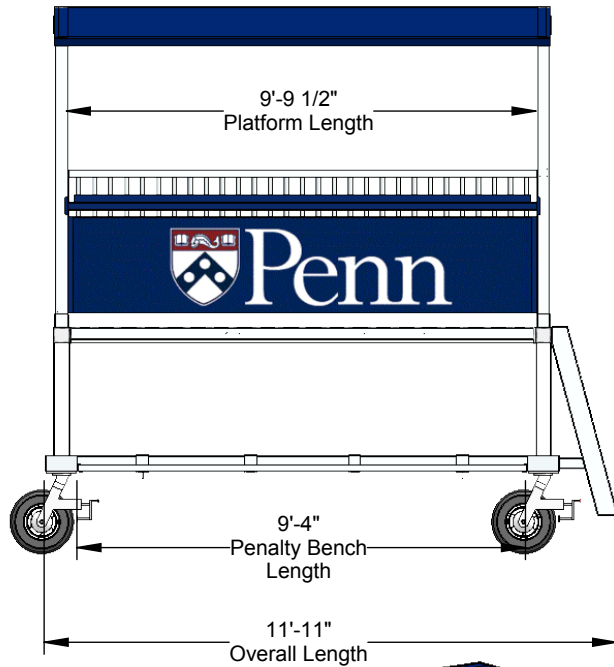


Aluminum Athletic Equipment
1000 Enterprise Drive, Royersford, PA 19468
Toll Free: (800) 523-5471 Fax: (610) 825-2378
www.AAEsports.com

DESCRIPTION:		
DONKEY-1-HA - Specifications		
NOTE: Hitch Attachment		
MODEL:	CATEGORY:	DATE:
DONKEY-1-HA	CUSTOMER	11/16/2017
DWN. BY:	CAD FILE:	DWG. NO.:
CED	DONKEY-1-HA	DONKEY-1-HA-C-001

DONKEY-1-PB - Specifications

Penalty Bench



Model No. DONKEY-PB
Welded Aluminum
Penalty Bench
(Seats 5-6 People)



Penalty Bench sits
along front wheel frame

Model # DONKEY-PB, Penalty Bench; 10" wide aluminum plank with side and center support brackets; accommodates bottom front row seating for up to 6 people; typically used in the sport of lacrosse



Aluminum Athletic Equipment
1000 Enterprise Drive, Royersford, PA 19468
Toll Free: (800) 523-5471 Fax: (610) 825-2378
www.AAEsports.com

DESCRIPTION:		
DONKEY-1-PB - Specifications		
NOTE: Penalty Bench		
MODEL:	CATEGORY:	DATE:
DONKEY-1-PB	CUSTOMER	11/16/2017
DWN. BY:	CAD FILE:	DWG. NO.:
CED	DONKEY-1-PB	DONKEY-1-PB-C-001

DONKEY-1-SP - Specifications

Speaker Packages (Without Speakers, Standard, Premium)

All models include wire run through frame cover supports on both sides to underneath scorers table for center connectivity



Model No. DONKEY-PS

Model No. DONKEY-SB
Speaker Bracket allows for
speakers to be mounted
with the Front Plexi-Glass Panel
(Sold Separately)



Accommodates up to a
60 lbs. speaker

Model # DONKEY-SP/PS, Premium Speaker Package with two (2) plug-and-play factory-installed seamless pre-wired outdoor speakers to unit



Aluminum Athletic Equipment
1000 Enterprise Drive, Royersford, PA 19468
Toll Free: (800) 523-5471 Fax: (610) 825-2378
www.AAEsports.com

DESCRIPTION:

DONKEY-1-SP - Specifications

NOTE:

Speaker Packages - WS - SS - PS

MODEL:

DONKEY-1-SP

CATEGORY:

CUSTOMER

DATE:

11/16/2017

DWN. BY:

CED

CAD FILE:

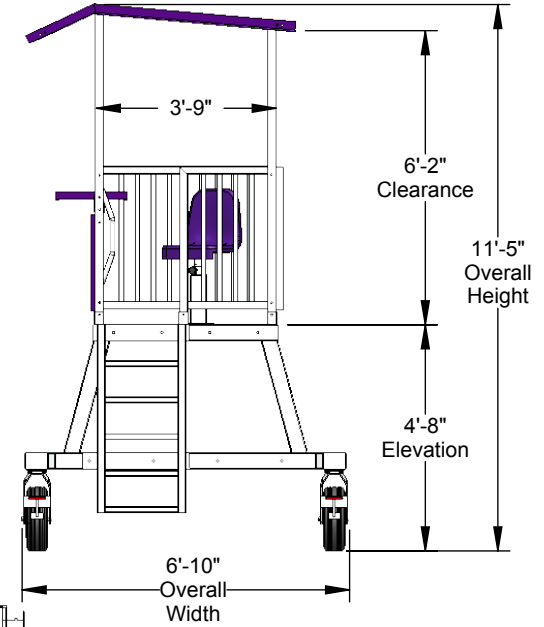
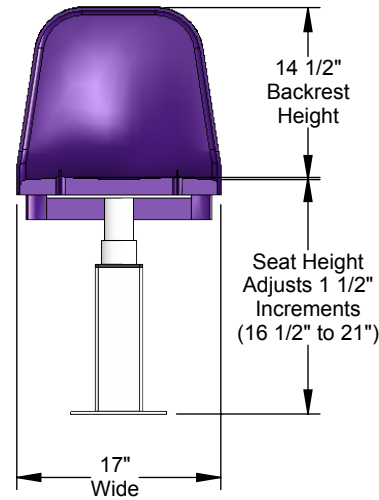
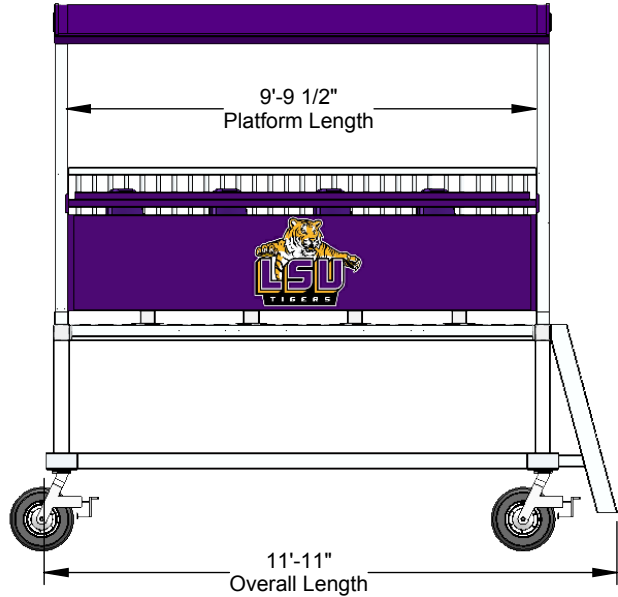
DONKEY-1-SP

DWG. NO.

DONKEY-1-SP-C-001

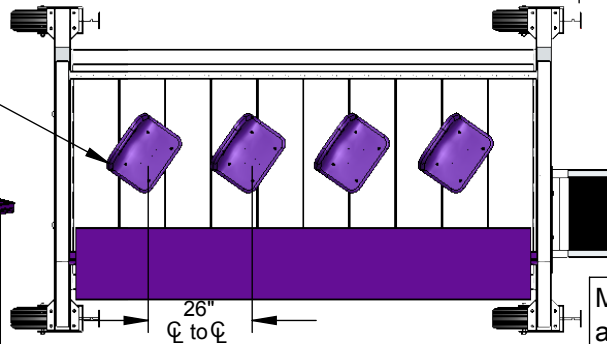
DONKEY-1-CC - Specifications

Captain's Chair



Model No. DONKEY-CC
Contoured seat with height adjustable independent aluminum swivel base (Choice of Color)

You can still have full rotation capabilities with up to four (4) Captain's Chairs



Model # DONKEY-CC, Captain's Chair, height adjustable contoured seat with a swivel base; height adjusts in 1 1/2" increments from 16 1/2" to 21"

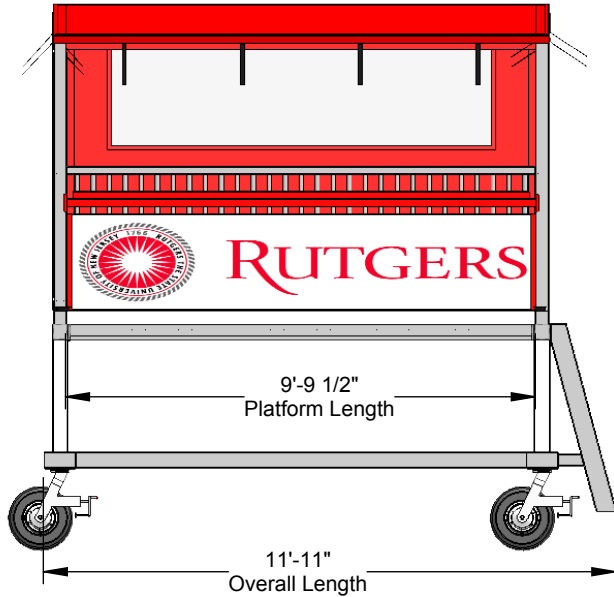


Aluminum Athletic Equipment
1000 Enterprise Drive, Royersford, PA 19468
Toll Free: (800) 523-5471 Fax: (610) 825-2378
www.AAEsports.com

DESCRIPTION:		
DONKEY-1-CC - Specifications		
NOTE: Captain's Chair		
MODEL: DONKEY-1-CC	CATEGORY: CUSTOMER	DATE: 11/16/2017
DWN. BY: CED	CAD FILE: DONKEY-1-CC	DWG. NO. DONKEY-1-CC-C-001

DONKEY-1-WS - Specifications

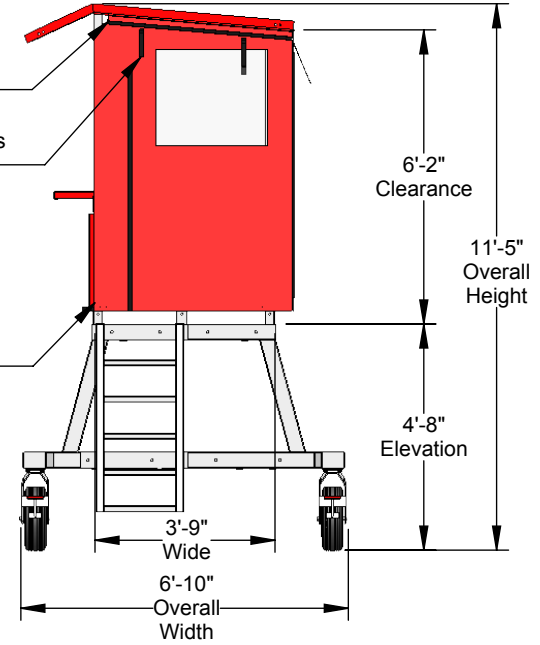
Weather Screens



Zippers at the top for easy removal of screens

Velcro enables the screens to be rolled up

Weather Screens come in your (Choice of Color)



Rolled up Weather Screen for reference

Zippers connect the rear Weather Screen to the sides for a weather tight seal



Model No. DONKEY-WS
Three-sided enclosure with clear vinyl windows for 360° view

Model # DONKEY-WS, Weather Screens, set of three (3) sides; 18oz. knife-coated vinyl in customers choice of color; clear vinyl windows on all three (3) side weather panels; top of each panel zippers to top canopy; bottom of panels include sewn on velcro straps to attach bottoms to frame; weather side panels zipper vertically to back panel corners; all panels can be rolled up and velcro strapped when not in use; zippers provide for easily removable panels

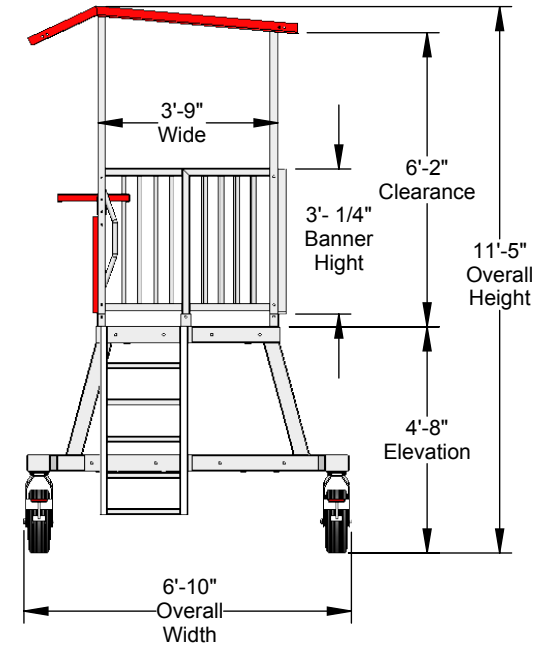
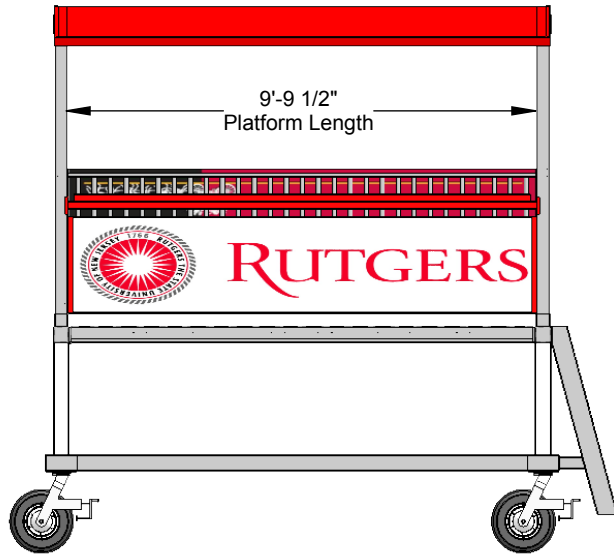


Aluminum Athletic Equipment
1000 Enterprise Drive, Royersford, PA 19468
Toll Free: (800) 523-5471 Fax: (610) 825-2378
www.AAEsports.com

DESCRIPTION:		
DONKEY-1-WS - Specifications		
NOTE: Weather Screens		
MODEL: DONKEY-1-WS	CATEGORY: CUSTOMER	DATE: 11/16/2017
DWN. BY: CED	CAD FILE: DONKEY-1-WS	DWG. NO. DONKEY-1-WS-C-001

DONKEY-1-BB-A - Specifications

Aluminum Back Banner



Model No. DONKEY-BB-A
Powder-coated Aluminum
Back Banner that displays
School or Sponsor's logo

Model # DONKEY-BB, Back Banner (4' x 10'); 1/8" thick aluminum panel powder-coated in customers choice of color; includes one (1) color screen of school name or logo; attaches to back railing (can be added to any DONKEY model)



Aluminum Athletic Equipment
1000 Enterprise Drive, Royersford, PA 19468
Toll Free: (800) 523-5471 Fax: (610) 825-2378
www.AAEsports.com

DESCRIPTION: **DONKEY-1-BB-A - Specifications**

NOTE: Aluminum Back Banner

MODEL: DONKEY-1-BB-A	CATEGORY: CUSTOMER	DATE: 11/16/2017
----------------------	--------------------	------------------

DWN. BY: CED	CAD FILE: DONKEY-1-BB-A	DWG. NO. DONKEY-1-BB-A-C-001
--------------	-------------------------	------------------------------

DONKEY-1-BN - Specifications

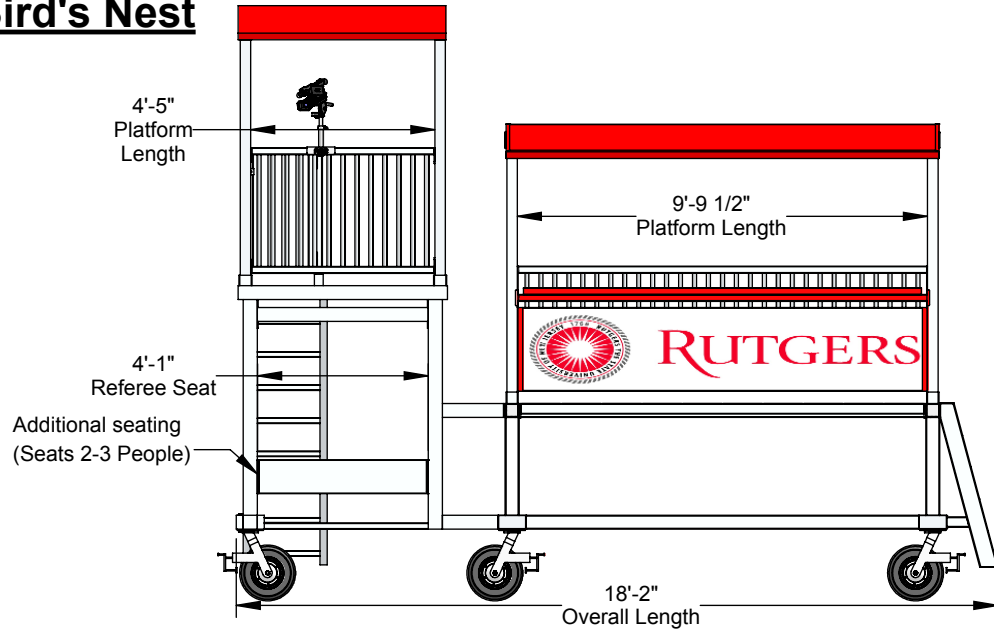
Bird's Nest

D

C

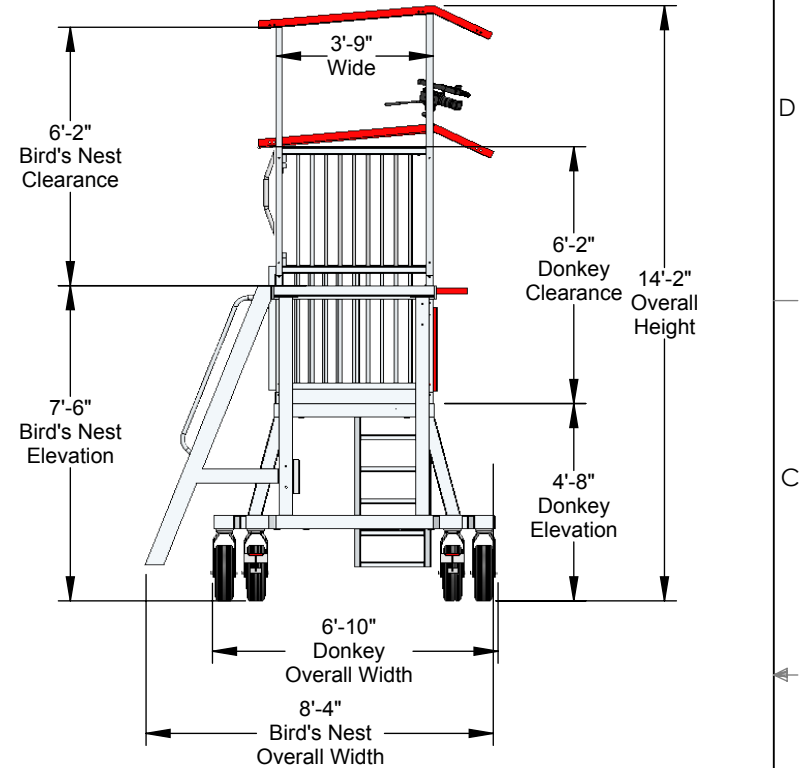
B

A



Optional:
Model No. VCU-RM
Video Camera Unipod
Rail Mount Style

Model No. DONKEY-BN provides additional height for an unobstructed 12' or 15' viewing height of the field



Model No. DONKEY-BN - Bird's Nest Filming Platform - 4'-0" x 4'-0" platform area with a 7'-0" platform height, TIG welded 4"sq. x .250" heavy-wall aluminum with rounded corners, TIG welded aluminum railing with 1-1/4"rd. aluminum spindles spaced 3-1/2" on center meets IBC Codes, two 16" diameter flat-free foam filled swivel casters with brakes, 12" wide x 4'-0" long anodized Referee's Bench seat with backrest underneath platform, powder-coated aluminum canopy top color of choice



Aluminum Athletic Equipment
1000 Enterprise Drive, Royersford, PA 19468
Toll Free: (800) 523-5471 Fax: (610) 825-2378
www.aaesports.com

DESCRIPTION:		
DONKEY-1-BN - Specifications		
NOTE: Bird's Nest		
MODEL:	CATEGORY:	DATE:
DONKEY-1-BN	CUSTOMER	11/16/2017
DWN. BY:	CAD FILE:	DWG. NO.:
CED	DONKEY-1-BN	DONKEY-1-BN-C-001

DONKEY-ES - Specifications

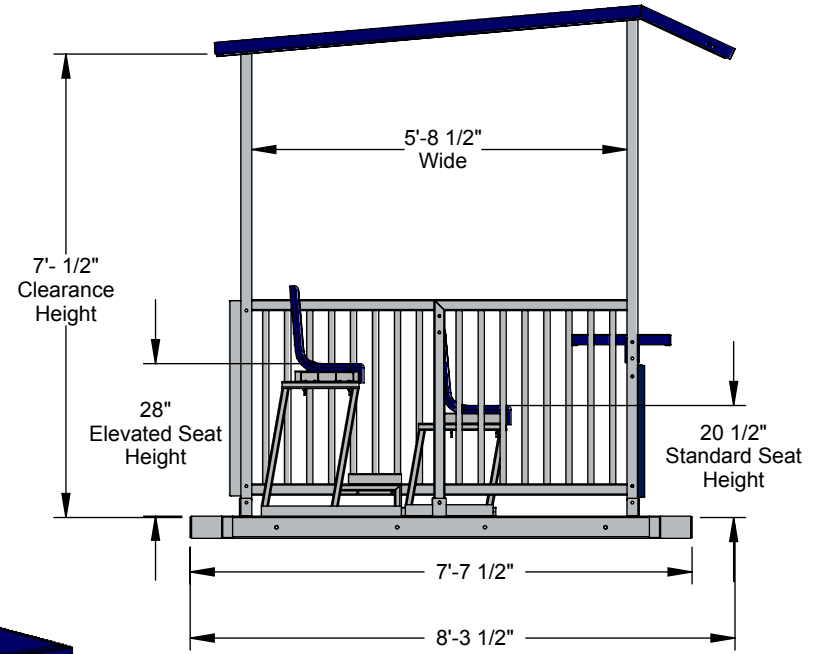
Elevated Seating

D

C

B

A



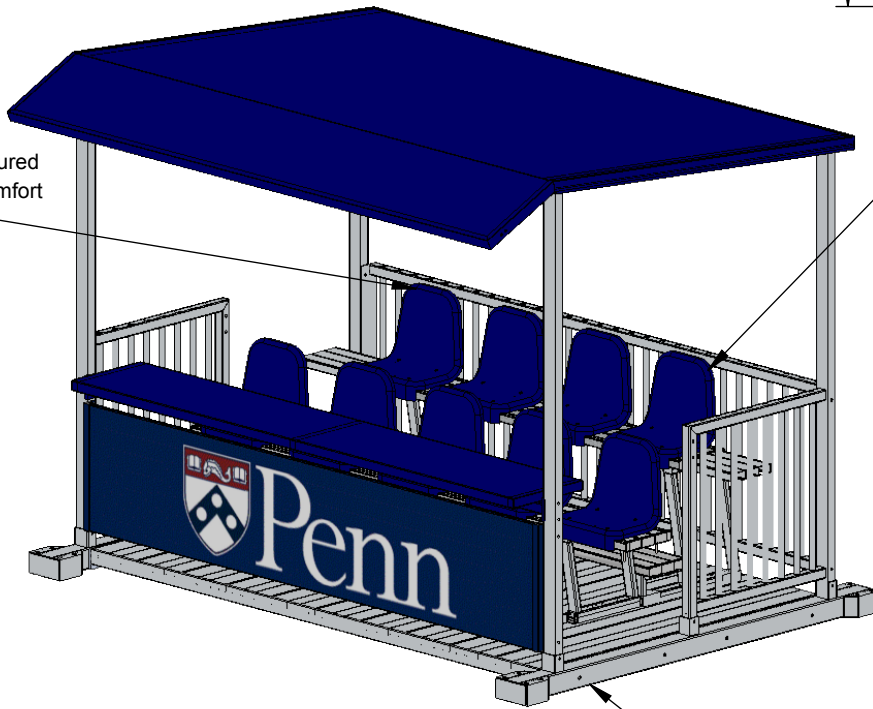
D

C

B

A

Model No. DONKEY-ES
Elevated seating adds a second row, while contoured seats offer additional comfort (Choice of Color)



Elevated Rear seats (4 People)

Elevated Seating requires a wider base platform

Model # DONKEY-ES, Elevated Seating, 11" wide aluminum plank seating with a second row of seating raised 7 1/2" seats 6 people each; contoured seating for additional comfort also available with customers specified color choice



Aluminum Athletic Equipment
1000 Enterprise Drive, Royersford, PA 19468
Toll Free: (800) 523-5471 Fax: (610) 825-2378
www.AAEsports.com

DESCRIPTION:

DONKEY-ES - Specifications

NOTE:

Elevated Seating

MODEL:

DONKEY-ES

CATEGORY:

CUSTOMER

DATE:

11/30/2017

DWN. BY:

CED

CAD FILE:

DONKEY-ES

DWG. NO.:

DONKEY-ES-C-001

DONKEY-ES & DONKEY-TT-R - Specifications

Elevated Seating & Rear Table Top

D

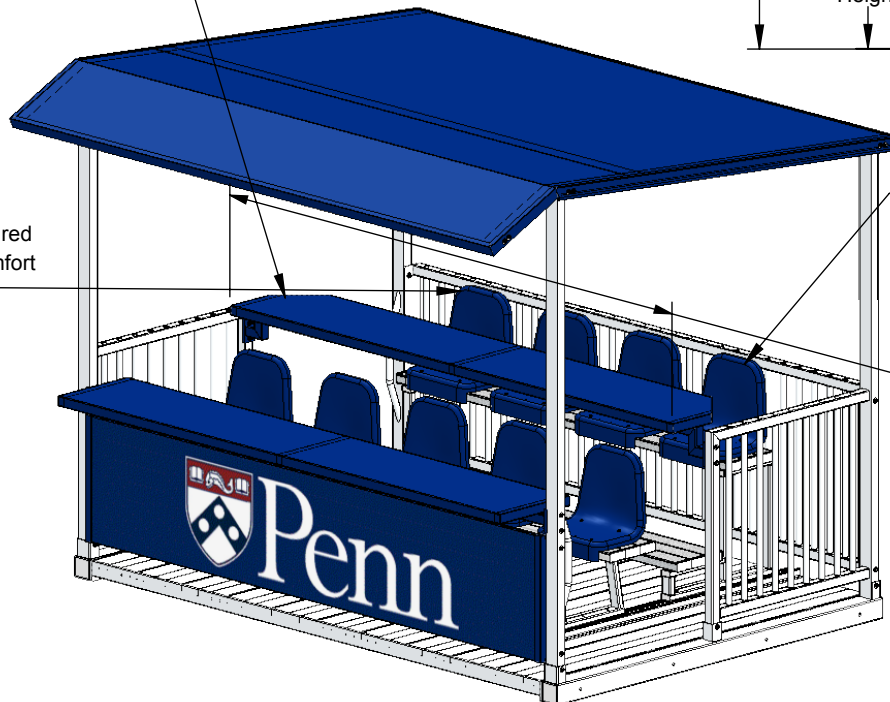
C

B

A

*Optional: Model No. DONKEY-TT-R
Rear Table Top for rear elevated seating

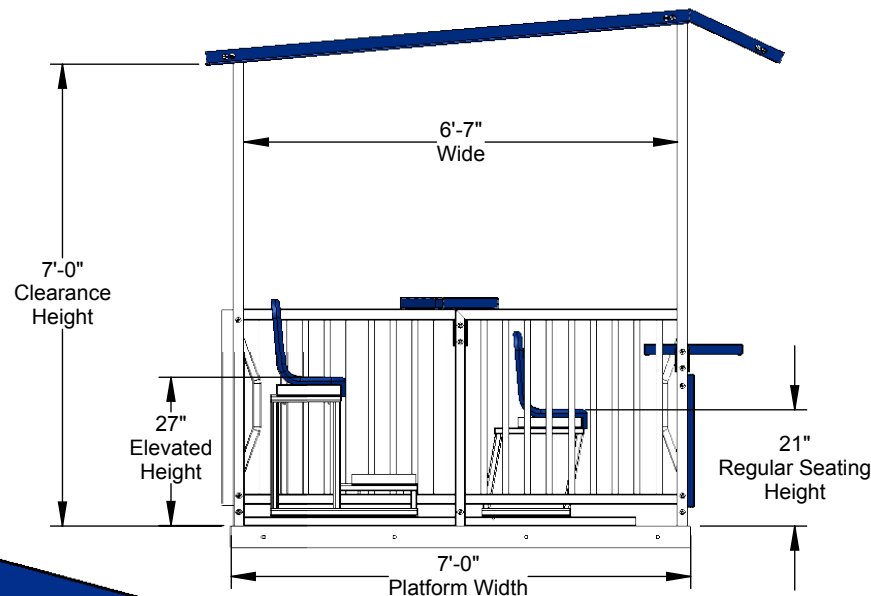
Model No. DONKEY-ES
Elevated seating adds a second row, while contoured seats offer additional comfort (Choice of Color)



Elevated Rear seats (4 People)

114" Table Length

Elevated Seating requires a wider base platform



Model # DONKEY-ES with DONKEY-TT-R, Elevated Seating with Rear Table Top; Elevated Seating adds an additional plank bench seating, contoured seating available for additional comfort, the powder-coated aluminum Rear Table Top serves as a Scorer's Table for the second row; a wider base platform is required



Aluminum Athletic Equipment
1000 Enterprise Drive, Royersford, PA 19468
Toll Free: (800) 523-5471 Fax: (610) 825-2378
www.AAEsports.com

DESCRIPTION: DONKEY-ES & DONKEY-TT-R - Specifications		
NOTE: Elevated Seating & Rear Table Top		
MODEL: DONKEY-TT-R	CATEGORY: CUSTOMER	DATE: 12/01/2017
DWN. BY: CED	CAD FILE: DONKEY-TT-R	DWG. NO. DONKEY-TT-R-C-001

DONKEY-TPG - Specifications

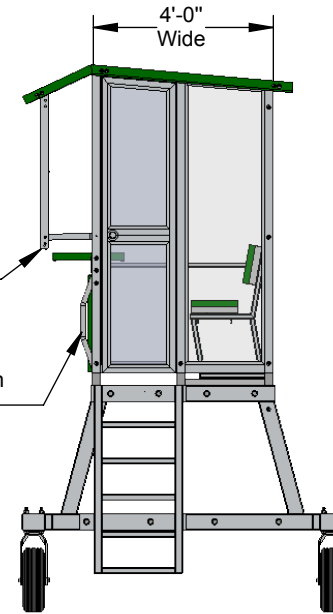
Tinted Plexi-Glass



*Optional:
Model No. DONKEY-PFP
Plexi-Glass Front Panel
1/4" Thick Polycarbonate

Front Panel Capable
of being put up

Mounted
Aluminum
Handle



*Optional:
Model No. DONKEY-TPG
Tinted Plexi-Glass,
3 Sides w/ Door
(Fits to any Donkey Style)

Model # DONKEY-TPG, Tinted Plexi Glass; surrounds three (3) sides of DONKEY units; two (2) side panels and one (1) back panel; offers a more permanent weather screen for personnel inside; all tinted plexi glass sections are framed with custom aluminum extrusion and bolt in place to frame; includes hinged lockable door on ladder entrance side



Aluminum Athletic Equipment
1000 Enterprise Drive, Royersford, PA 19468
Toll Free: (800) 523-5471 Fax: (610) 825-2378
www.AAEsports.com

DESCRIPTION:		
DONKEY-TPG - Specifications		
NOTE: Tinted Plexi-Glass		
MODEL:	CATEGORY:	DATE:
DONKEY-TPG	CUSTOMER	11/30/2017
DWN. BY:	CAD FILE:	DWG. NO.:
CED	Donkey-Enclosed	DONKEY-TPG-C-001

DONKEY-TPG-X - Specifications

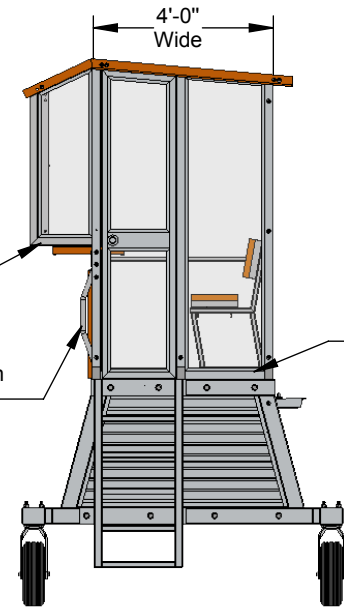
Tinted Plexi-Glass Full Enclosed



*Optional:
Model No. DONKEY-PFP
Plexi-Glass Front Panel
1/4" Thick Polycarbonate

Includes scorer's table side
plexi-glass windows

Mounted
Aluminum
Handle



4'-0"
Wide

No Gap



*Optional:
Model No. DONKEY-TPG-X
Tinted Plexi-Glass,
3 Sides w/ Door, Full
(Fits to any Donkey Style)

Model # DONKEY-TPG-X, Tinted Plexi Glass, Full; surrounds three (3) sides of DONKEY units; two (2) side panels with scorer's table side panels and one (1) back panel; offers a more permanent weather screen for personnel inside; all tinted plexi glass sections are framed with custom aluminum extrusion and bolt in place to frame; includes hinged lockable door on ladder entrance side



Aluminum Athletic Equipment
1000 Enterprise Drive, Royersford, PA 19468
Toll Free: (800) 523-5471 Fax: (610) 825-2378
www.AAEsports.com

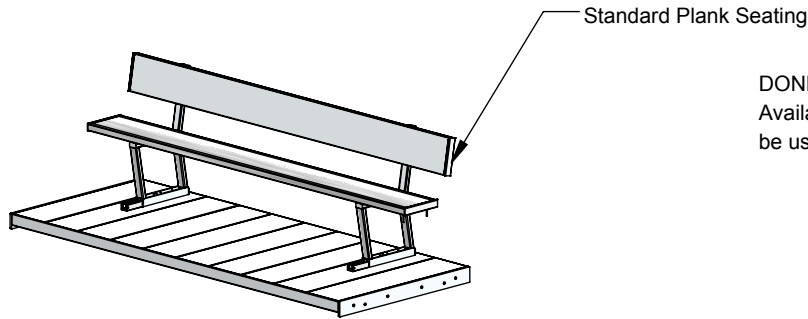
DESCRIPTION: **DONKEY-TPG-X - Specifications**

NOTE: Tinted Plexi-Glass Full Enclosed

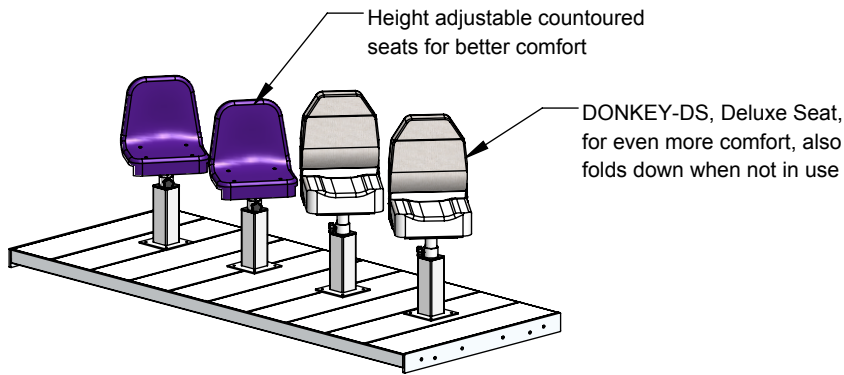
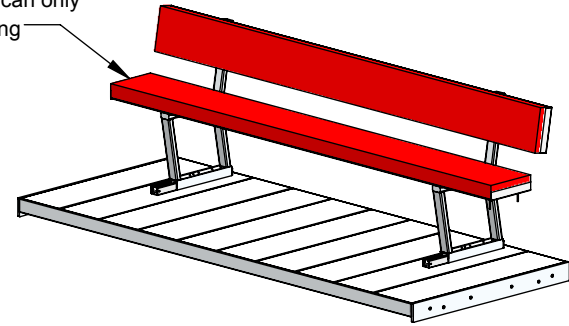
MODEL: DONKEY-TPG-X	CATEGORY: CUSTOMER	DATE: 11/30/2017
---------------------	---------------------------	------------------

DWN. BY: CED	CAD FILE: Donkey-Enclosed-Full	DWG. NO. DONKEY-TPG-X-C-001
--------------	--------------------------------	-----------------------------

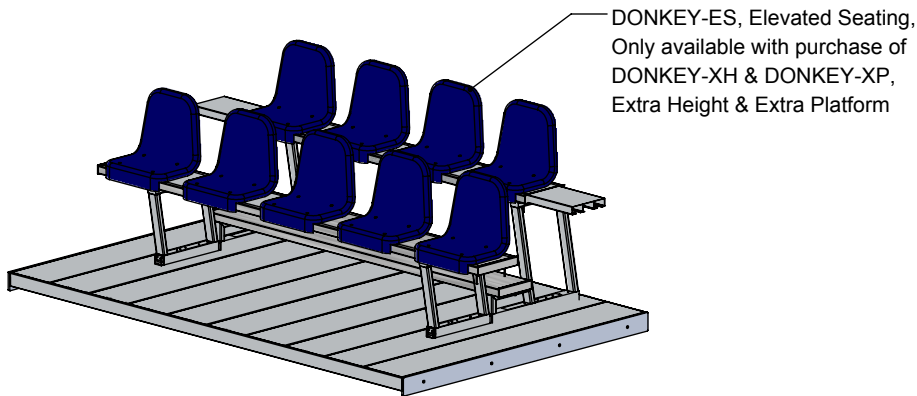
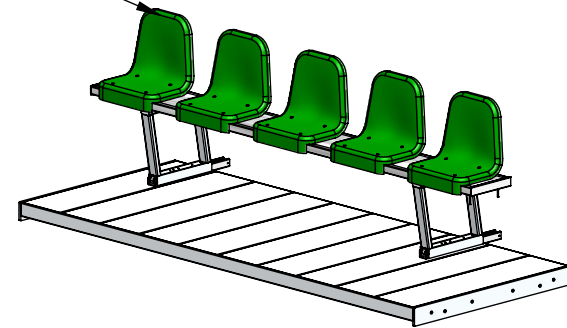
DONKEY - Seating Options



DONKEY-BC & DONKEY-SC
Available for all models, can only
be used with plank seating



Contoured Seating for
more comfort



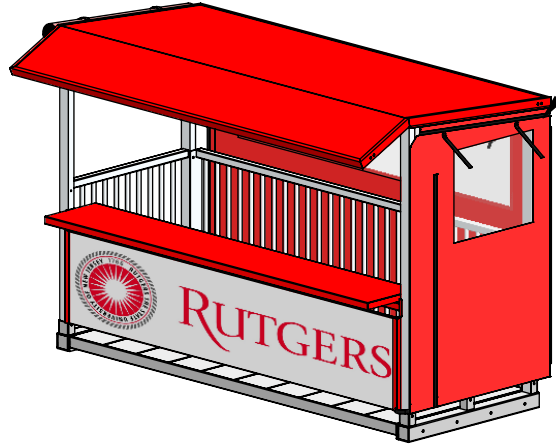
Seating options are available for all Donkey models, extra costs may apply; Both contoured seats and seat cushions are available in Customer's Choice of Color



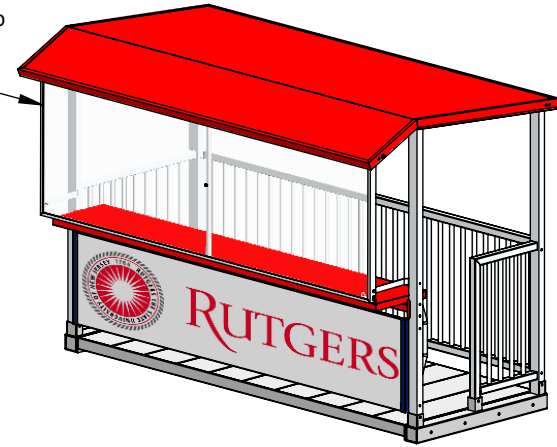
Aluminum Athletic Equipment
1000 Enterprise Drive, Royersford, PA 19468
Toll Free: (800) 523-5471 Fax: (610) 825-2378
www.AAEsports.com

DESCRIPTION:			
DONKEY-1 - Seating			
NOTE:			
Seating Options			
MODEL:	Model ID	CATEGORY:	DATE:
		CUSTOMER	12/05/2017
DWN. BY:	CAD FILE:	DWG. NO.	
CED	File Name	Model-C-000	

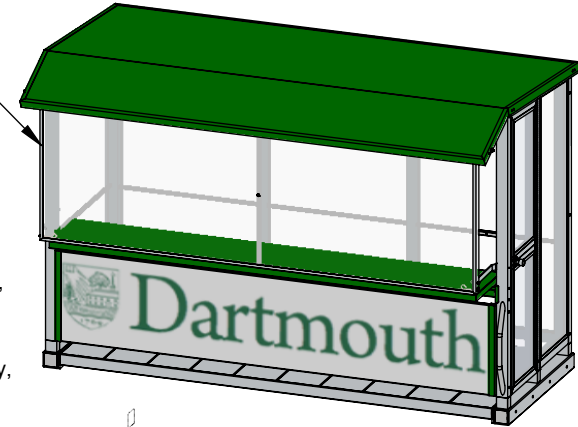
DONKEY - Enclosure Options



DONKEY-WS, Weather Screens, can be rolled up or removed when not in use; comes in Customer's Choice of Color



DONKEY-TPG, Tinted Plexi-Glass, includes 3 sides with a door, DONKEY-PFP sold separately



DONKEY-TPG-X, Tinted Plexi-Glass Full, Includes 3 sides that extend to the platform base, a door and side scorer's table windows for a fully enclosed Donkey, Donkey-PFP sold separately



Enclosure options available for all Donkey Models, additional costs may apply when purchasing certain additional options



Aluminum Athletic Equipment
1000 Enterprise Drive, Royersford, PA 19468
Toll Free: (800) 523-5471 Fax: (610) 825-2378
www.AAEsports.com

DESCRIPTION:				DONKEY-1-Enclosure	
NOTE:				Enclosure Options	
MODEL:		CATEGORY:	DATE:		
Model ID		CUSTOMER	12/05/2017		
DWN. BY:	CAD FILE:	DWG. NO.			
CED	File Name	Model-C-000			