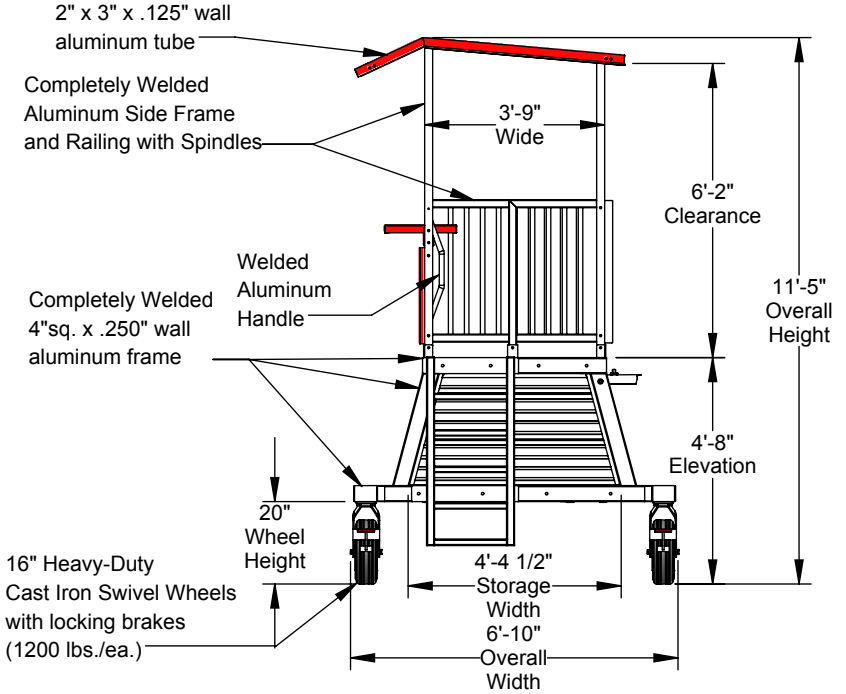
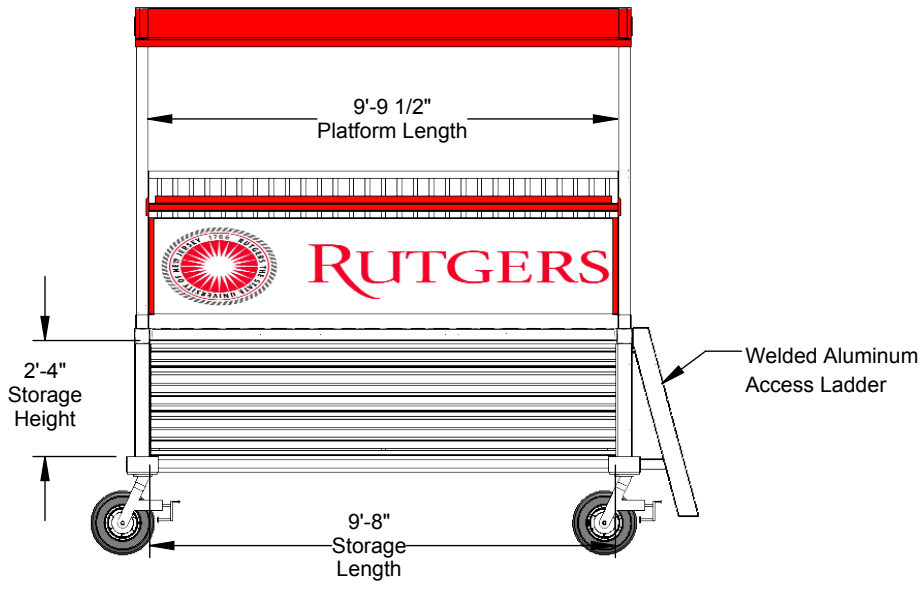


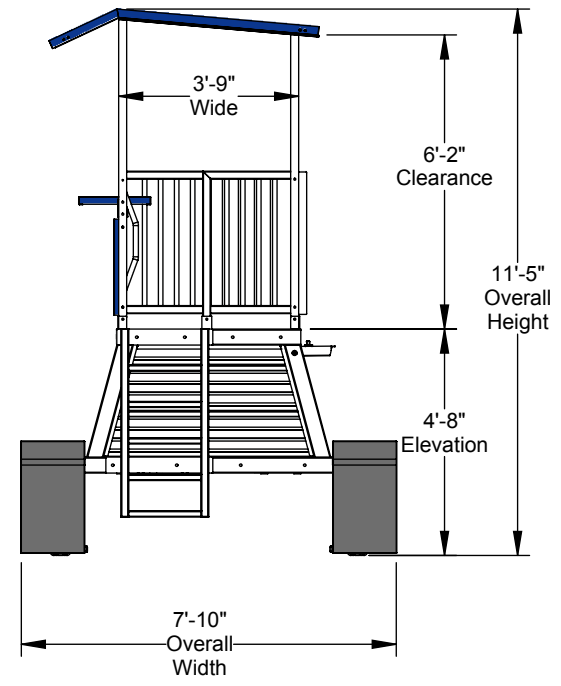
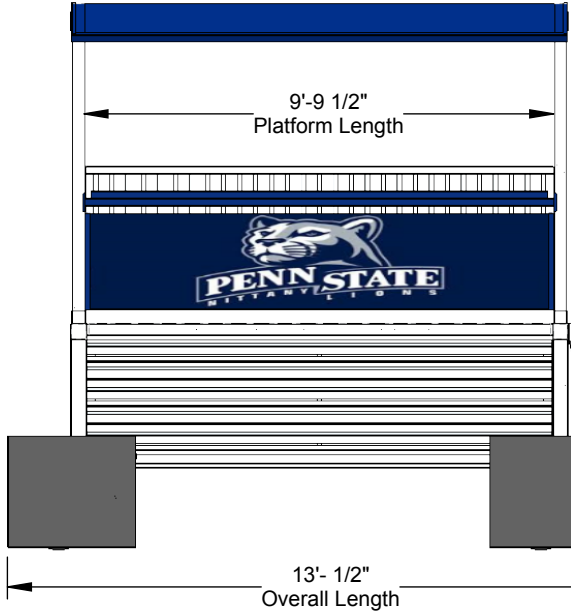
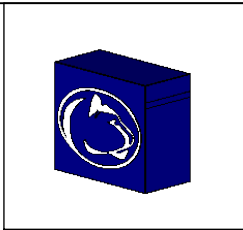
DONKEY-2 Specifications



AAE
Aluminum Athletic Equipment
 1000 Enterprise Drive, Royersford, PA 19468
 Toll Free: (800) 523-5471 Fax: (610) 825-2378
 www.AAEsports.com

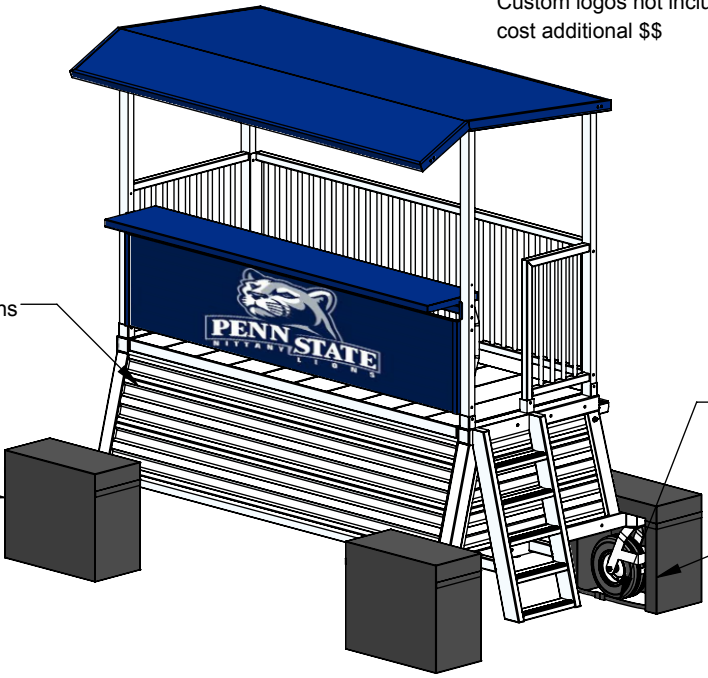
DESCRIPTION:		
DONKEY-2 - Specifications		
NOTE: Donkey-2 Base Model		
MODEL:	CATEGORY:	DATE:
DONKEY-2	CUSTOMER	1/19/2018
DWN. BY:	CAD FILE:	DWG. NO.:
CED	DONKEY-2-Specifications	DONKEY-2-C-001

DONKEY-2-WPP - Specifications (Wheel Protector Pads)



Completely sewn 18oz. vinyl encased foam units (Choice of Color)

Custom logos not included, cost additional \$\$



All-aluminum Storage Compartment with reinforced extrusions

Model No. DONKEY-WPP
Sold as a set of two(2)
Overall Size
28"H x 32"W x 16"D

Nylon straps with plastic buckles hold it from behind

4" Thick foam pad

Model # DONKEY-WPP, Wheel Protector Pads, set of two (2), 4" thick foam encased in 18oz. knife-coated vinyl in customers choice of color, Nylon straps with plastic buckles hold the protector pad around the wheel; Overall Size 28"H x 32"W x 16"D

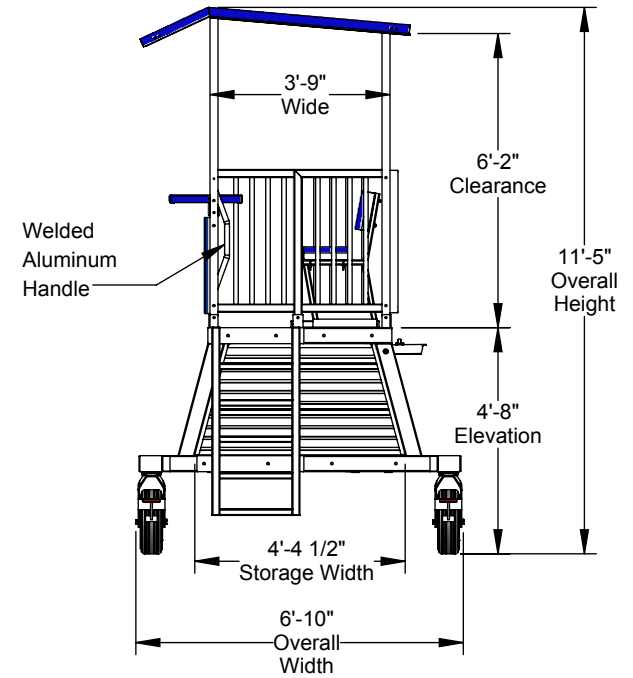
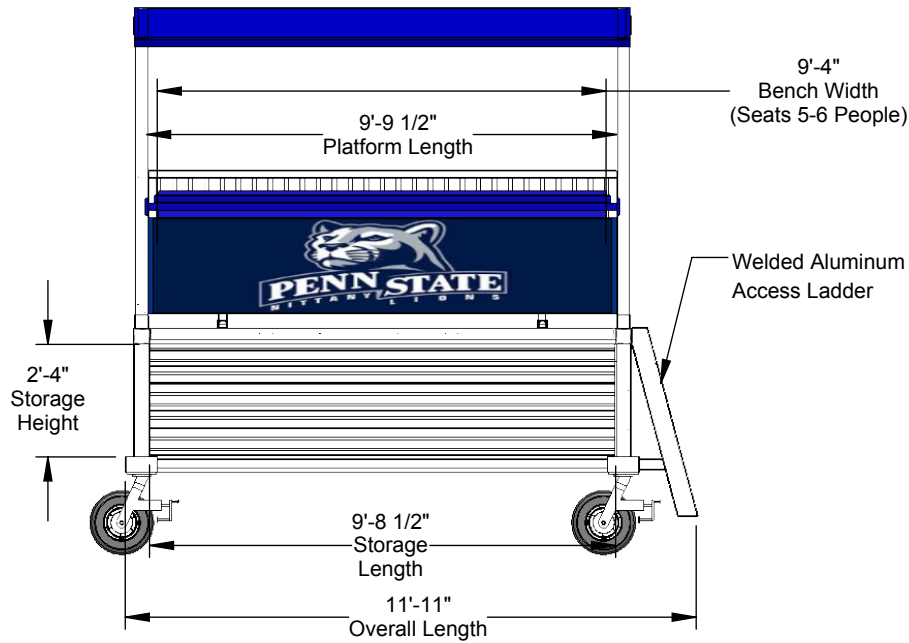


Aluminum Athletic Equipment
1000 Enterprise Drive, Royersford, PA 19468
Toll Free: (800) 523-5471 Fax: (610) 825-2378
www.AAEsports.com

DESCRIPTION:		
DONKEY-2-WPP - Specifications		
NOTE: Wheel Protector Pads		
MODEL:	CATEGORY:	DATE:
DONKEY-2-WPP	CUSTOMER	11/17/2017
DWN. BY:	CAD FILE:	DWG. NO.:
CED	DONKEY-2-WPP	DONKEY-2-WPP-C-001

DONKEY-2-SEAT CUSHIONS - Specifications

DONKEY-SC & DONKEY-BC



Model # DONKEY-SC, Seat Cushion, and Model # DONKEY-BC, Backrest Cushion, 18oz. vinyl encased 2" thick foam; 2" wide Velcro flap attaches cushion to aluminum plank; adds additional comfort

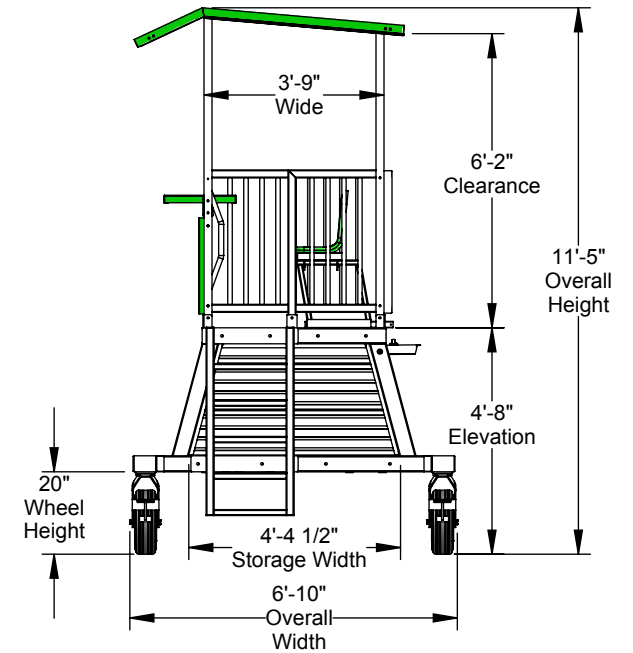
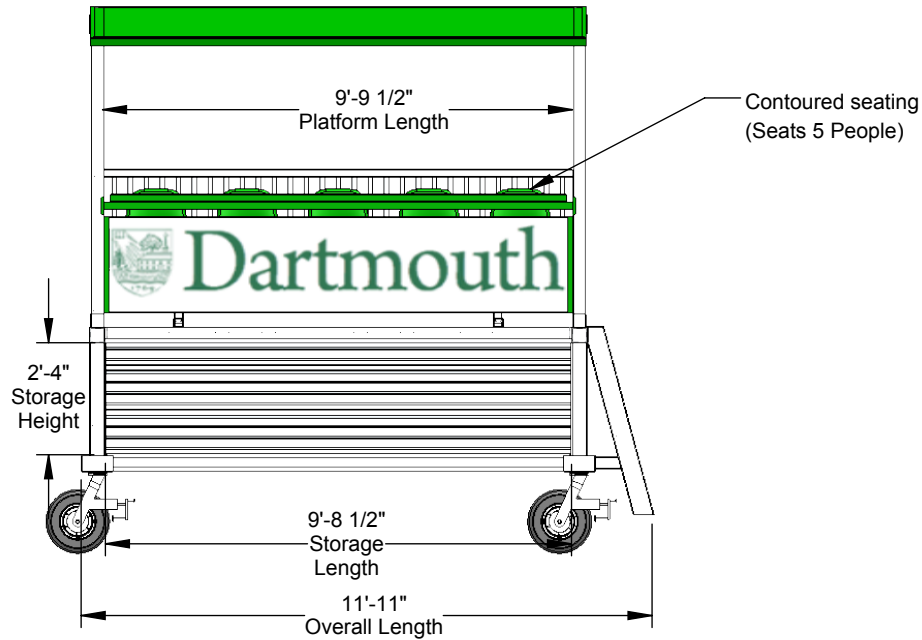


Aluminum Athletic Equipment
1000 Enterprise Drive, Royersford, PA 19468
Toll Free: (800) 523-5471 Fax: (610) 825-2378
www.AAEsports.com

DESCRIPTION:			DONKEY-2-Seat Cushions
NOTE:			DONKEY-SC & DONKEY-BC
MODEL:	CATEGORY:	DATE:	
DKY-2-SC/BC	CUSTOMER	11/17/2017	
DWN. BY:	CAD FILE:	DWG. NO.:	
CED	DONKEY-2-SC/BC	DKY-2-SC/BC-C-001	

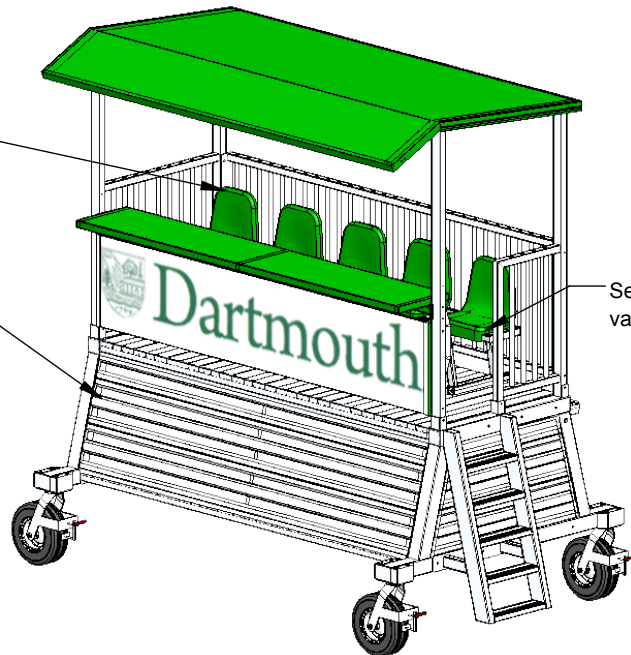
DONKEY-2-CS - Specifications

Custom Seating



Model No. DONKEY-CS
Contoured seats for additional comfort. Bench seating also available as specified per customer.

All-aluminum Storage Compartment with reinforced extrusions



Seating comes in a variety of colors

Model # DONKEY-CS, Custom Seating, 11" wide aluminum plank bench seating; accommodates up to 6 people; contoured seating for additional comfort also available with customers specified color choice



Aluminum Athletic Equipment
1000 Enterprise Drive, Royersford, PA 19468
Toll Free: (800) 523-5471 Fax: (610) 825-2378
www.AAEsports.com

DESCRIPTION: **DONKEY-2-CS - Specifications**

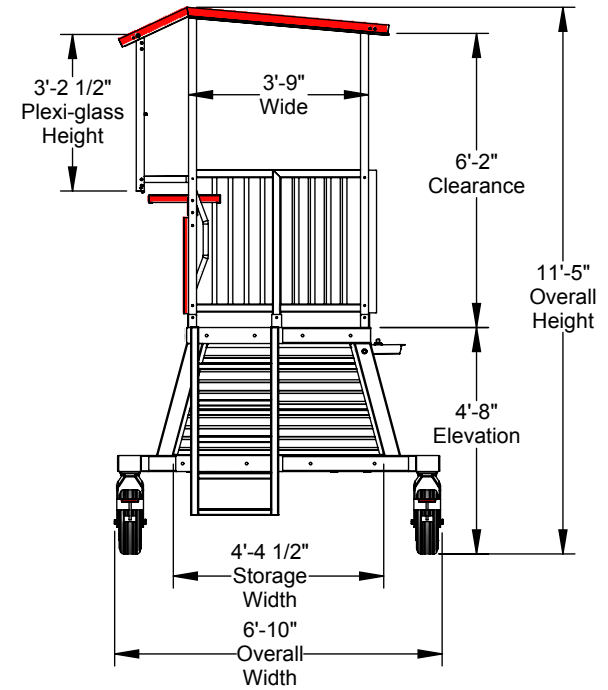
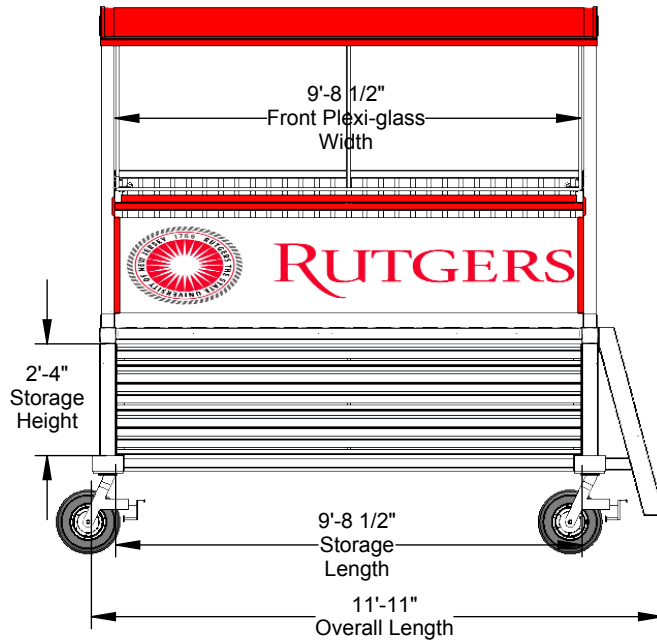
NOTE: Custom Seating

MODEL: DONKEY-2-CS	CATEGORY: CUSTOMER	DATE: 11/17/2017
--------------------	--------------------	------------------

DWN. BY: CED	CAD FILE: DONKEY-2-CS	DWG. NO. DONKEY-2-CS-C-001
--------------	-----------------------	----------------------------

DONKEY-2-PFP - Specifications

Plexi-glass Front Panel



*Optional:
Model No. DONKEY-PFP
Plexi-Glass Front Panel
1/4" Thick Polycarbonate

All-aluminum
Storage Compartment
with reinforced extrusions

Capable of being
folded up



Model # DONKEY-PFP, Weather Front Panel; one (1) clear plexi-glass front panel; framed in custom aluminum extrusion with rubber gasket attaches to top canopy bolts; panel hinges up to canopy top when not in use; removable panel

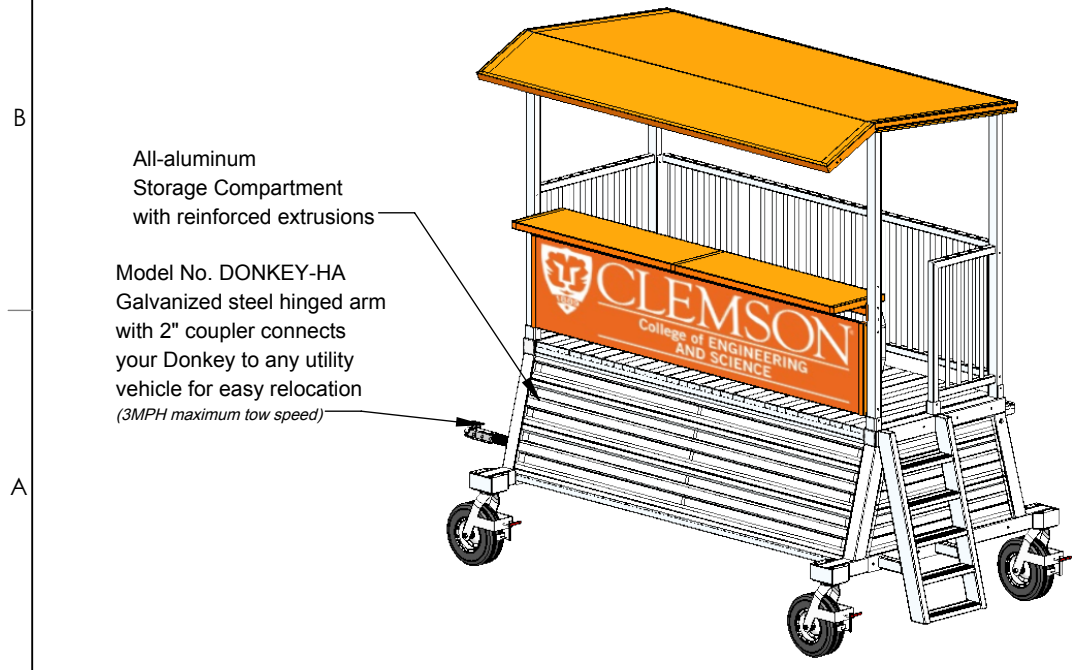
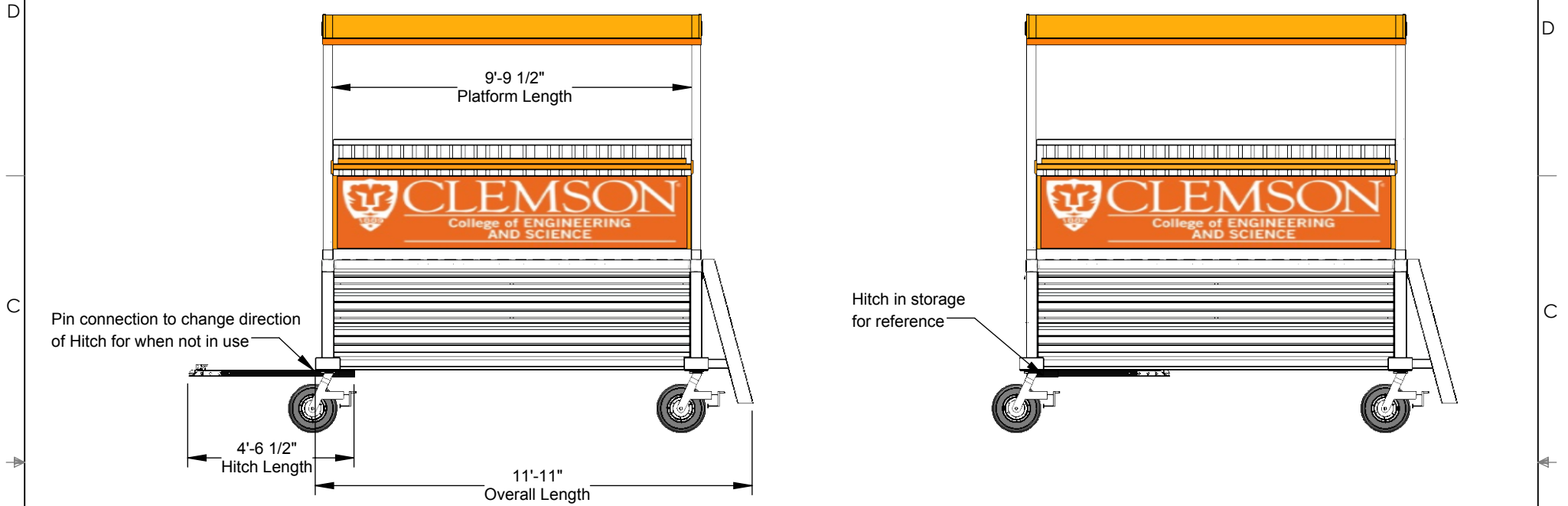


Aluminum Athletic Equipment
1000 Enterprise Drive, Royersford, PA 19468
Toll Free: (800) 523-5471 Fax: (610) 825-2378
www.AAEsports.com

DESCRIPTION:		
DONKEY-2-PFP - Specifications		
NOTE:		
Plexi-glass Front Panel		
MODEL:	CATEGORY:	DATE:
DONKEY-2-PFP	CUSTOMER	11/17/2017
DWN. BY:	CAD FILE:	DWG. NO.:
CED	DONKEY-2-PFP	DONKEY-2-PFP-C-001

DONKEY-2-HA - Specifications

Hitch Attachment



Model # DONKEY-HA, Hitch Attachment with 2" ball coupler; allows unit to be towed by and vehicle with a 2" ball hitch (3mph max); 4' long galvanized steel square tube; galvanized steel/vinyl-coated black mounting plate with removable hinge pin allows for simple and convenient stow away

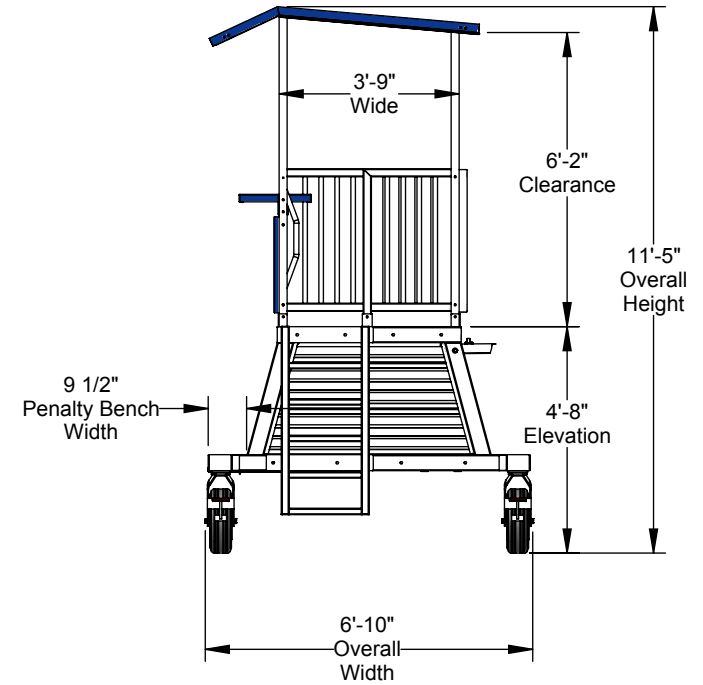
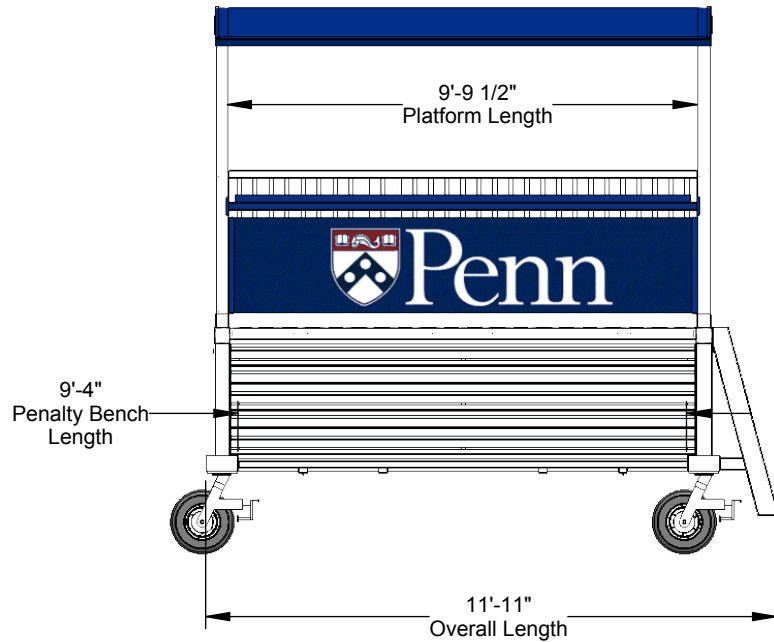


Aluminum Athletic Equipment
 1000 Enterprise Drive, Royersford, PA 19468
 Toll Free: (800) 523-5471 Fax: (610) 825-2378
www.AAEsports.com

DESCRIPTION:		
DONKEY-2-HA - Specifications		
NOTE:		
Hitch Attachment		
MODEL:	CATEGORY:	DATE:
DONKEY-2-HA	CUSTOMER	11/16/2017
DWN. BY:	CAD FILE:	DWG. NO.:
CED	DONKEY-2-HA	DONKEY-2-HA-C-001

DONKEY-2-PB - Specifications

Penalty Bench



Model # DONKEY-PB, Penalty Bench; 10" wide aluminum plank with side and center support brackets; accommodates bottom front row seating for up to 6 people; typically used in the sport of lacrosse



Aluminum Athletic Equipment
1000 Enterprise Drive, Royersford, PA 19468
Toll Free: (800) 523-5471 Fax: (610) 825-2378
www.AAEsports.com

DESCRIPTION: **DONKEY-2-PB - Specifications**

NOTE: Penalty Bench

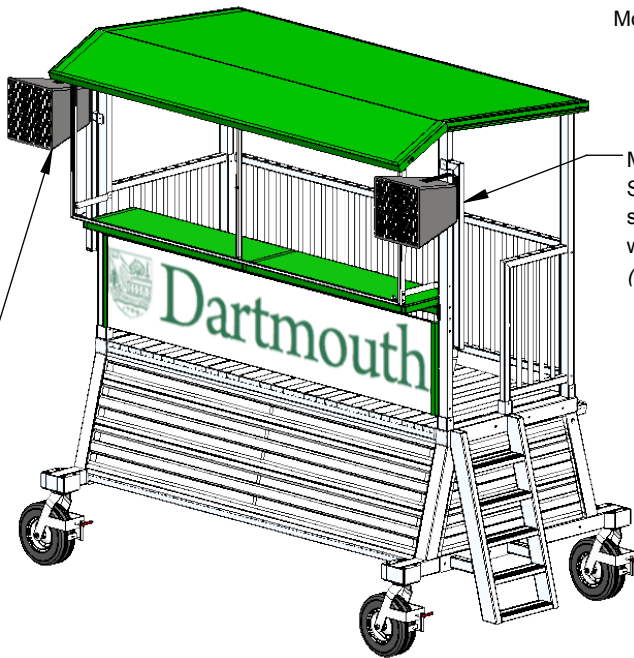
MODEL: DONKEY-2-PB	CATEGORY: CUSTOMER	DATE: 11/16/2017
--------------------	---------------------------	------------------

DWN. BY: CED	CAD FILE: DONKEY-2-PB	DWG. NO. DONKEY-2-PB-C-001
--------------	-----------------------	----------------------------

DONKEY-2-SP - Specifications

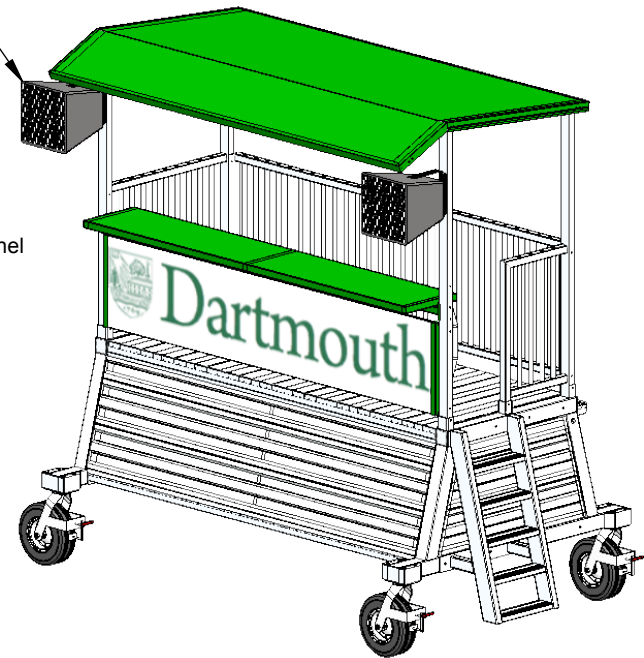
Speaker Packages (Without Speakers, Standard, Premium)

All models include wire run through frame cover supports on both sides to underneath scorers table for center connectivity



Model No. DONKEY-PS

Model No. DONKEY-SB
Speaker Bracket allows for speakers to be mounted with the Front Plexi-Glass Panel
(Sold Separately)



Accommodates up to a 60 lbs. speaker

Model # DONKEY-SP/PS, Premium Speaker Package with two (2) plug-and-play factory-installed seamless pre-wired outdoor speakers to unit



Aluminum Athletic Equipment
1000 Enterprise Drive, Royersford, PA 19468
Toll Free: (800) 523-5471 Fax: (610) 825-2378
www.AAEsports.com

DESCRIPTION: **DONKEY-2-SP - Specifications**

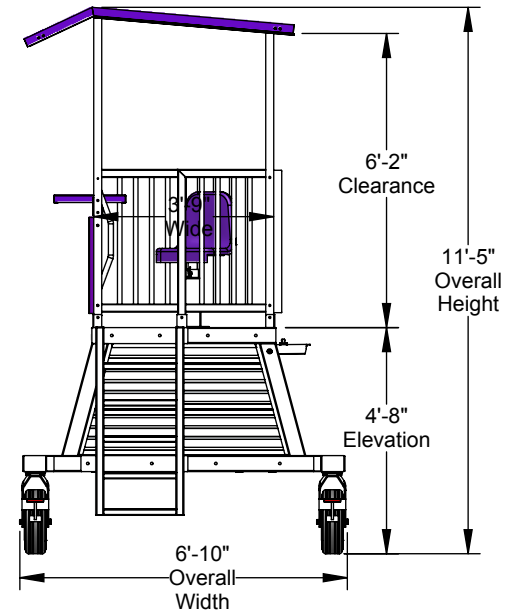
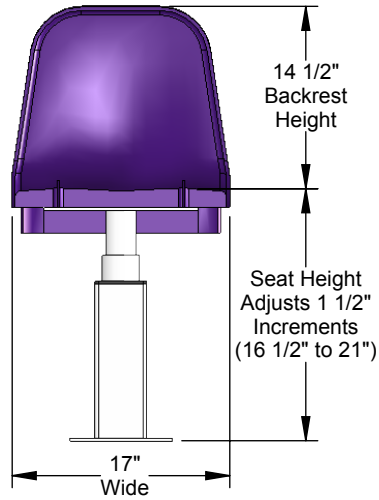
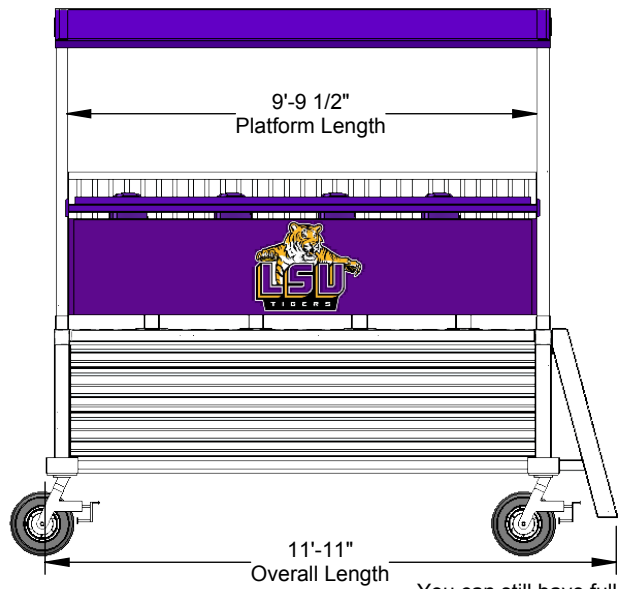
NOTE: Speaker Packages - WS - SS - PS

MODEL: DONKEY-2-SP	CATEGORY: CUSTOMER	DATE: 11/17/2017
--------------------	---------------------------	------------------

DWN. BY: CED	CAD FILE: DONKEY-2-SP	DWG. NO. DONKEY-2-SP-C-001
--------------	-----------------------	----------------------------

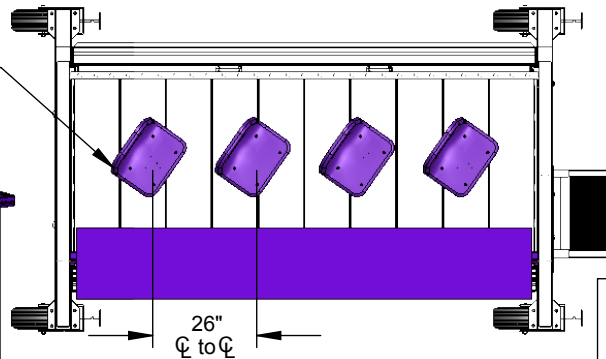
DONKEY-2-CC - Specifications

Captain's Chair



Model No. DONKEY-CC
Contoured seat with height adjustable independent aluminum swivel base (Choice of Color)

You can still have full rotation capabilities with up to four(4) Captain's Chairs



All-aluminum Storage Compartment with reinforced extrusions

Model # DONKEY-CC, Captain's Chair, height adjustable contoured seat with a swivel base; height adjusts in 1 1/2" increments from 16 1/2" to 21"

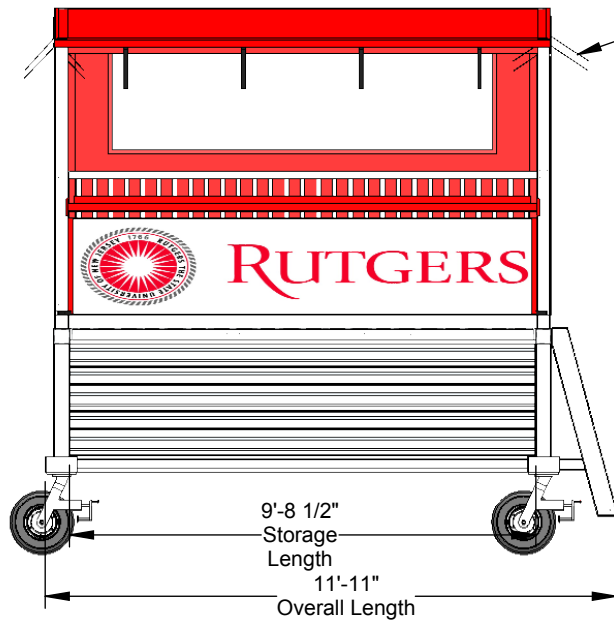


Aluminum Athletic Equipment
1000 Enterprise Drive, Royersford, PA 19468
Toll Free: (800) 523-5471 Fax: (610) 825-2378
www.AAEsports.com

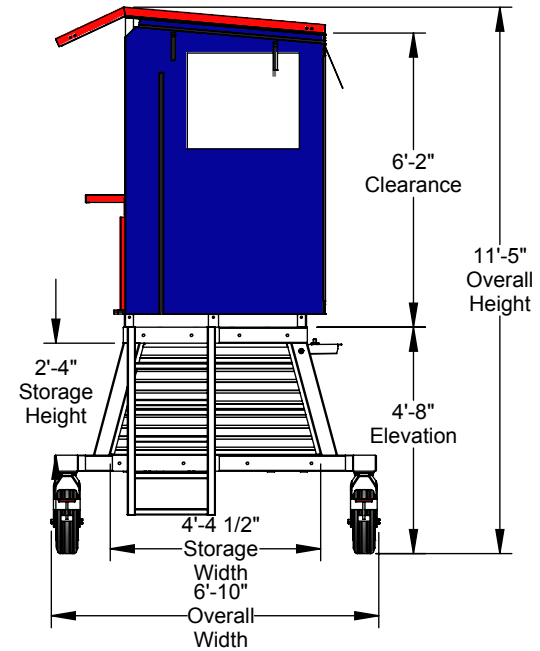
DESCRIPTION:		
DONKEY-2-CC - Specifications		
NOTE: Captain's Chair		
MODEL:	CATEGORY:	DATE:
DONKEY-2-CC	CUSTOMER	11/17/2017
DWN. BY:	CAD FILE:	DWG. NO.:
CED	DONKEY-2-CC	DONKEY-2-CC-C-001

DONKEY-2-WS - Specifications

Weather Screens



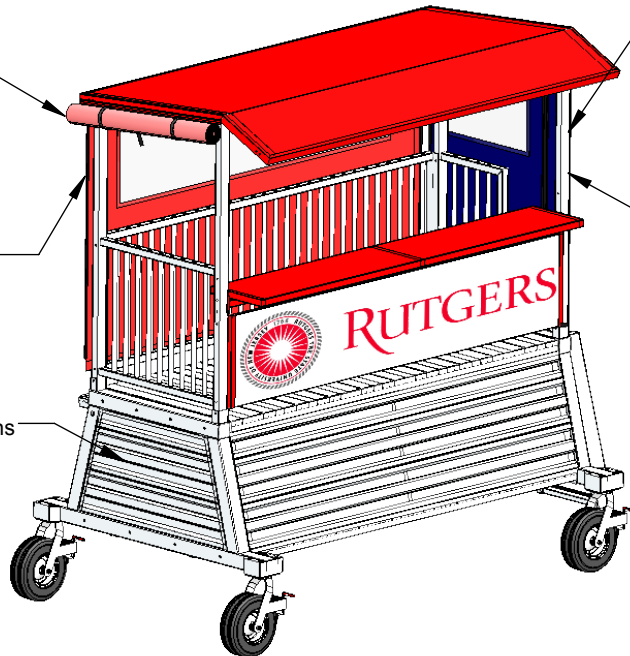
Velcro enables the screens to be rolled up



Weather Screen rolled up for reference

Zippers connect the rear Weather Screen to the sides for a weather tight seal

All-aluminum Storage Compartment with reinforced extrusions



Model No. DONKEY-WS
Three-sided enclosure with clear vinyl windows for 360° view

Weather Screens come in you (Choice of Color)

Model # DONKEY-WS, Weather Screens, set of three (3) sides; 18oz. knife-coated vinyl in customers choice of color; clear vinyl windows on all three (3) side weather panels; top of each panel zippers to top canopy; bottom of panels include sewn on velcro straps to attach bottoms to frame; weather side panels zipper vertically to back panel corners; all panels can be rolled up and velcro strapped when not in use; zippers provide for easily removable panels



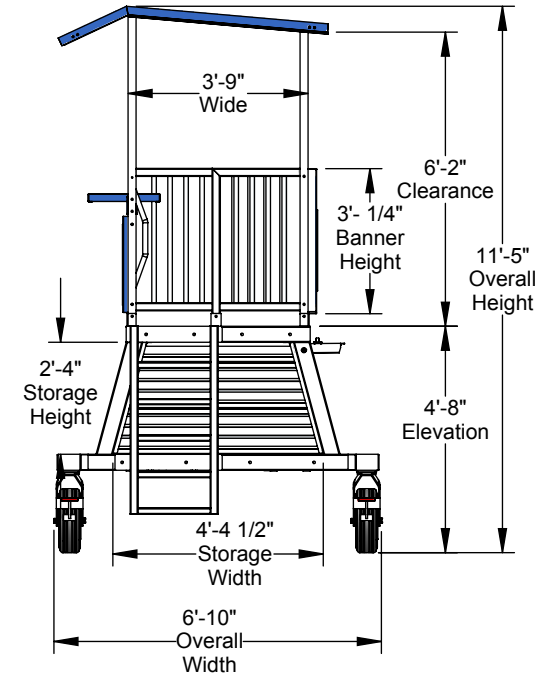
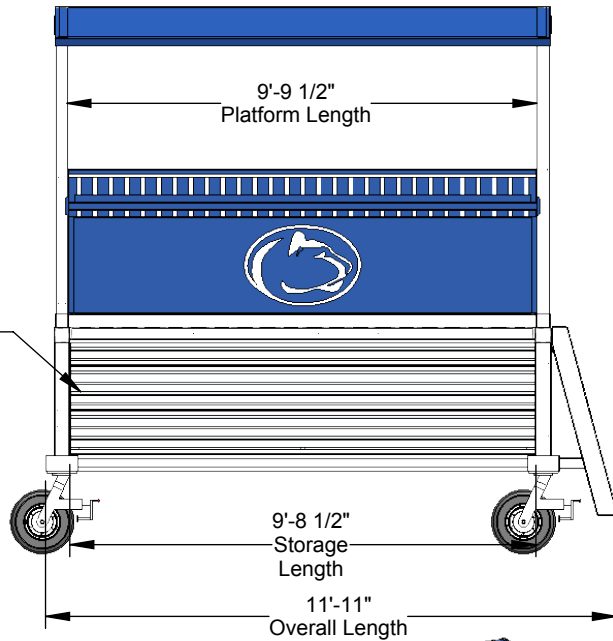
Aluminum Athletic Equipment
1000 Enterprise Drive, Royersford, PA 19468
Toll Free: (800) 523-5471 Fax: (610) 825-2378
www.AAEsports.com

DESCRIPTION:		
DONKEY-2-WS - Specifications		
NOTE: Weather Screens		
MODEL:	CATEGORY:	DATE:
DONKEY-2-WS	CUSTOMER	11/17/2017
DWN. BY:	CAD FILE:	DWG. NO.:
CED	DONKEY-2-WS	DONKEY-2-WS-C-001

DONKEY-2-BB-A - Specifications

Aluminum Back Banner

All-aluminum Storage Compartment with reinforced extrusions



Banner rivets to rear frame



Model No. DONKEY-BB-A Powder-coated Aluminum Back Banner that displays School or Sponsor's logo

Model # DONKEY-BB, Back Banner (4' x 10'); 1/8" thick aluminum panel powder-coated in customers choice of color; includes one (1) color screen of school name or logo; attaches to back railing (can be added to any DONKEY model)



Aluminum Athletic Equipment
 1000 Enterprise Drive, Royersford, PA 19468
 Toll Free: (800) 523-5471 Fax: (610) 825-2378
www.AAEsports.com

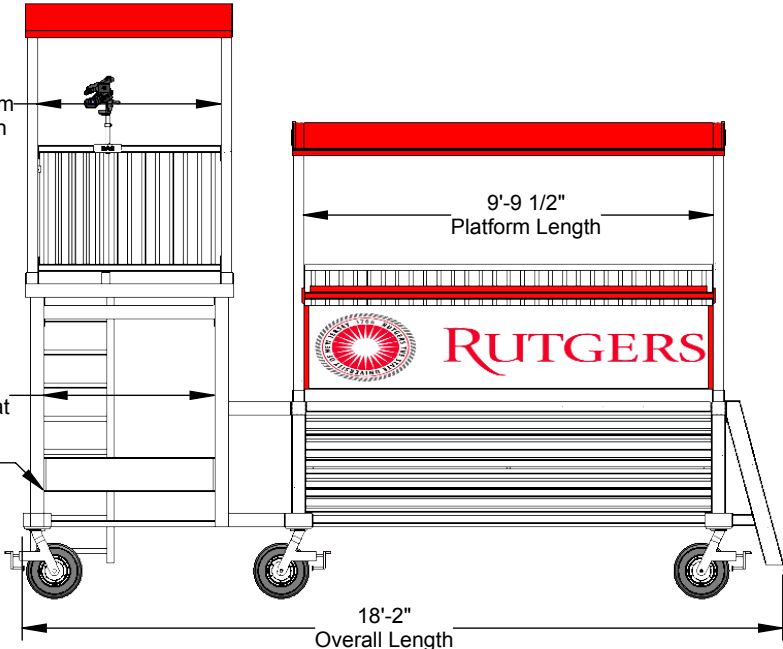
DESCRIPTION:		
DONKEY-2-BB-A - Specifications		
NOTE: Aluminum Back Banner		
MODEL:	CATEGORY:	DATE:
DONKEY-2-BB-A	CUSTOMER	11/17/2017
DWN. BY:	CAD FILE:	DWG. NO.:
CED	DONKEY-2-BB-A	DONKEY-2-BB-A-C-001

DONKEY-2-BN - Specifications

Bird's Nest

D

4'-5"
Platform
Length



9'-9 1/2"
Platform Length

4'-1"
Referee Seat

Additional seating
(Seats 2-3 People)

18'-2"
Overall Length

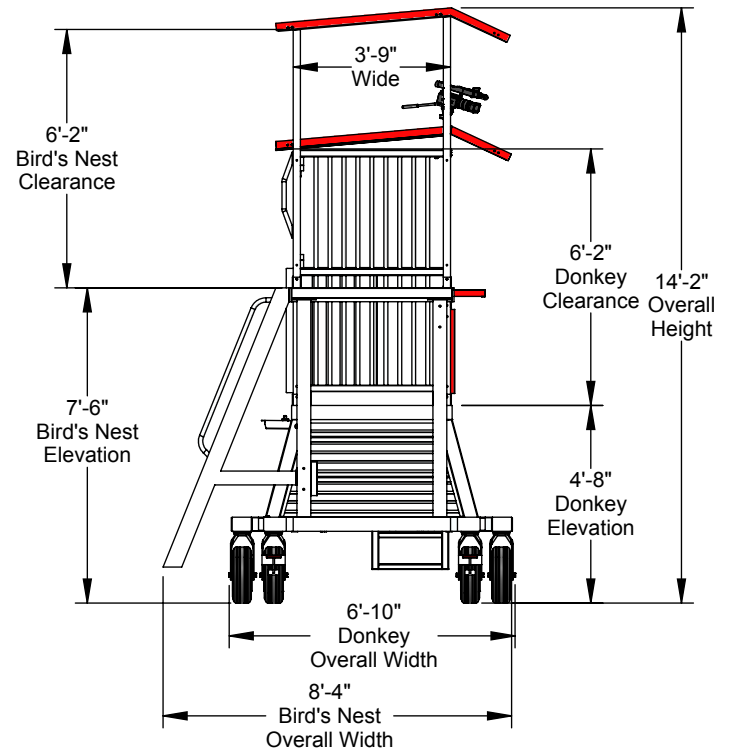
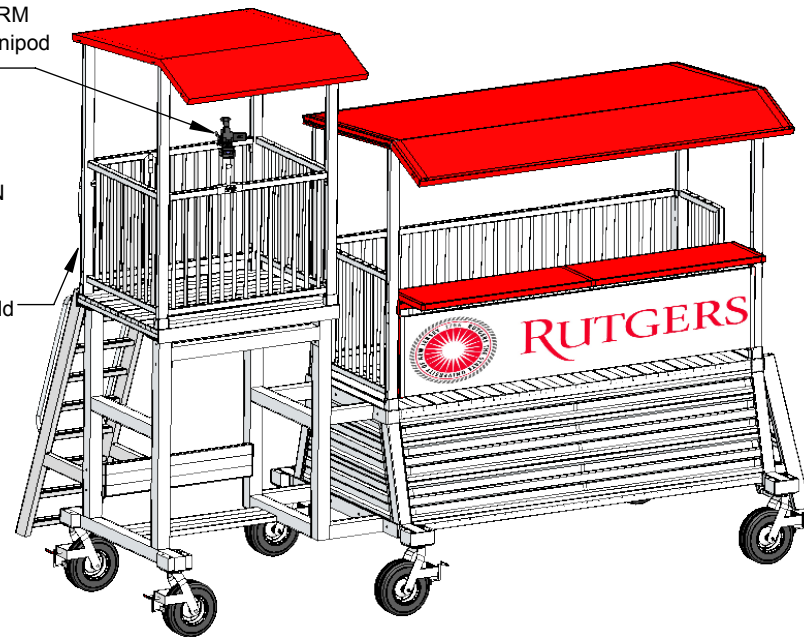
C

B

A

Optional:
Model No. VCU-RM
Video Camera Unipod
Rail Mount Style

Model No. DONKEY-BN
Bird's Nest provides
additional height for an
unobstructed 12' or 15'
viewing height of the field



D

C

B

A

Model No. DONKEY-BN - Bird's Nest Filming Platform - 4'-0" x 4'-0" platform area with a 7'-0" platform height, TIG welded 4"sq. x .250" heavy-wall aluminum with rounded corners, TIG welded aluminum railing with 1-1/4"rd. aluminum spindles spaced 3-1/2" on center meets IBC Codes, two 16" diameter flatfree foam filled swivel casters with brakes, 12" wide x 4'-0" long anodized Referee's Bench seat with backrest underneath platform, powder-coated aluminum canopy top color of choice



Aluminum Athletic Equipment
1000 Enterprise Drive, Royersford, PA 19468
Toll Free: (800) 523-5471 Fax: (610) 825-2378
www.AAEsports.com

DESCRIPTION:			DONKEY-2-BN - Specifications		
NOTE:			Bird's Nest		
MODEL:	DONKEY-2-BN	CATEGORY:	CUSTOMER	DATE:	11/16/2017
DWN. BY:	CED	CAD FILE:	DONKEY-2-BN	DWG. NO.:	DONKEY-2-BN-C-001

6

5

4

3

2

1

DONKEY-ES - Specifications

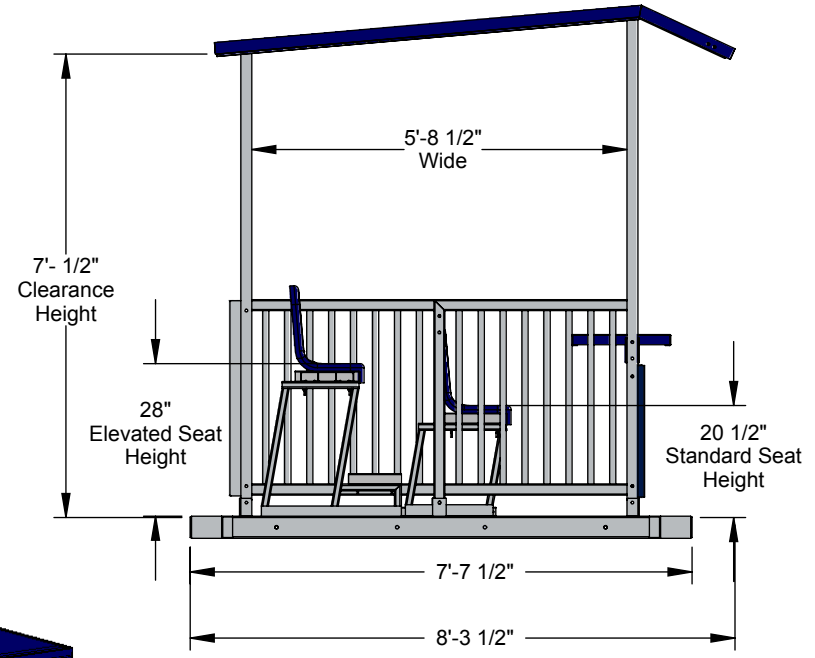
Elevated Seating

D

C

B

A



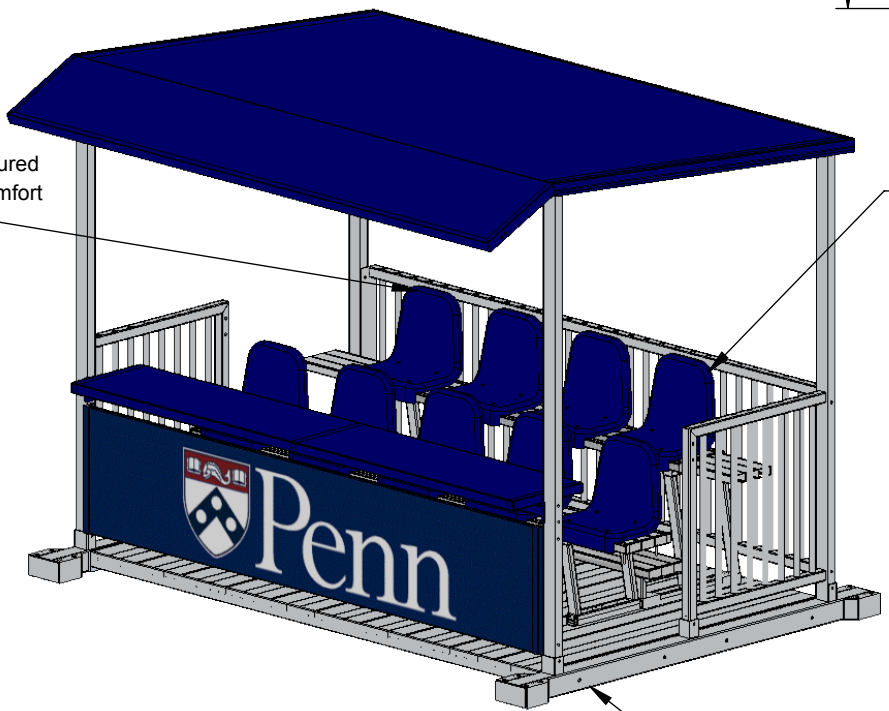
D

C

B

A

Model No. DONKEY-ES
Elevated seating adds a second row, while contoured seats offer additional comfort (Choice of Color)



Elevated Rear seats (4 People)

Elevated Seating requires a wider base platform

Model # DONKEY-ES, Elevated Seating, 11" wide aluminum plank seating with a second row of seating raised 7 1/2" seats 6 people each; contoured seating for additional comfort also available with customers specified color choice



Aluminum Athletic Equipment
1000 Enterprise Drive, Royersford, PA 19468
Toll Free: (800) 523-5471 Fax: (610) 825-2378
www.AAEsports.com

DESCRIPTION:		
DONKEY-ES - Specifications		
NOTE: Elevated Seating		
MODEL:	CATEGORY:	DATE:
DONKEY-ES	CUSTOMER	11/30/2017
DWN. BY:	CAD FILE:	DWG. NO.:
CED	DONKEY-ES	DONKEY-ES-C-001

6

5

4

3

2

1

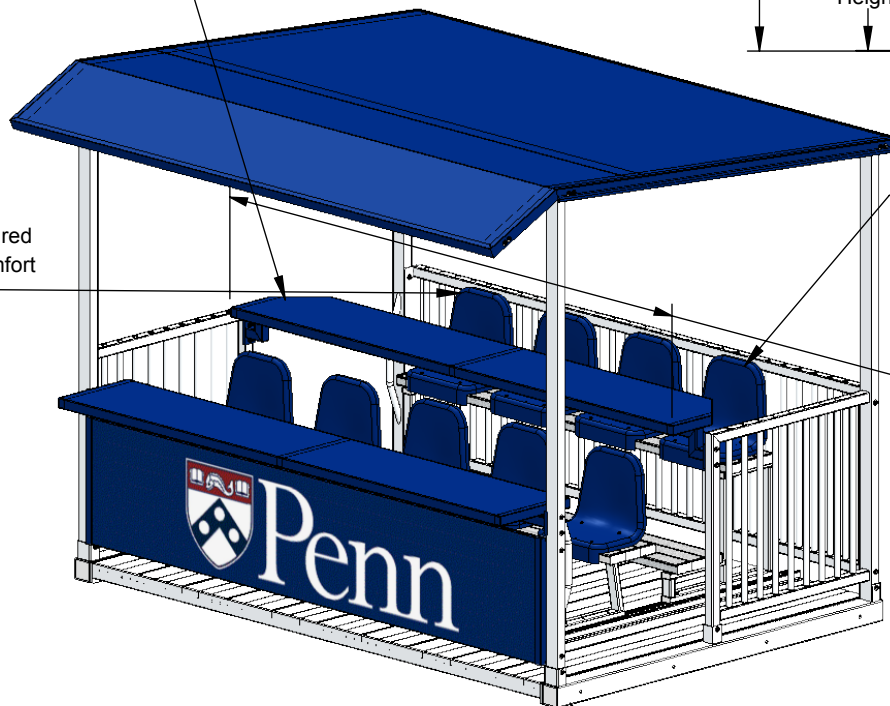
DONKEY-ES & DONKEY-TT-R - Specifications

Elevated Seating & Rear Table Top

D
C
B
A

*Optional: Model No. DONKEY-TT-R
Rear Table Top for rear elevated seating

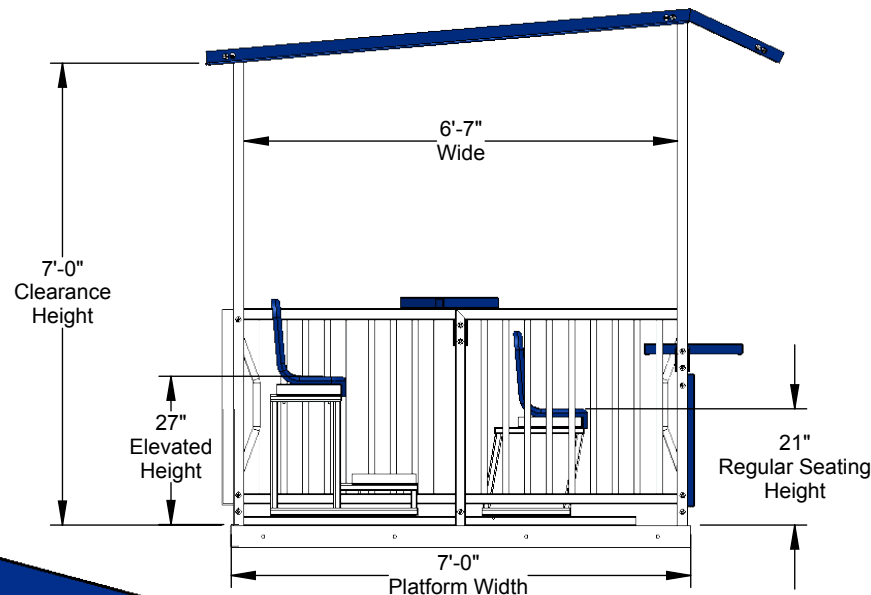
Model No. DONKEY-ES
Elevated seating adds a second row, while contoured seats offer additional comfort (Choice of Color)



Elevated Rear seats (4 People)

114" Table Length

Elevated Seating requires a wider base platform



Model # DONKEY-ES with DONKEY-TT-R, Elevated Seating with Rear Table Top; Elevated Seating adds an additional plank bench seating, contoured seating available for additional comfort, the powder-coated aluminum Rear Table Top serves as a Scorer's Table for the second row; a wider base platform is required



Aluminum Athletic Equipment
1000 Enterprise Drive, Royersford, PA 19468
Toll Free: (800) 523-5471 Fax: (610) 825-2378
www.AAEsports.com

DESCRIPTION:
DONKEY-ES & DONKEY-TT-R - Specifications

NOTE:
Elevated Seating & Rear Table Top

MODEL: DONKEY-TT-R	CATEGORY: CUSTOMER	DATE: 12/01/2017
-----------------------	------------------------------	---------------------

DWN. BY: CED	CAD FILE: DONKEY-TT-R	DWG. NO. DONKEY-TT-R-C-001
-----------------	--------------------------	-------------------------------

DONKEY-TPG - Specifications

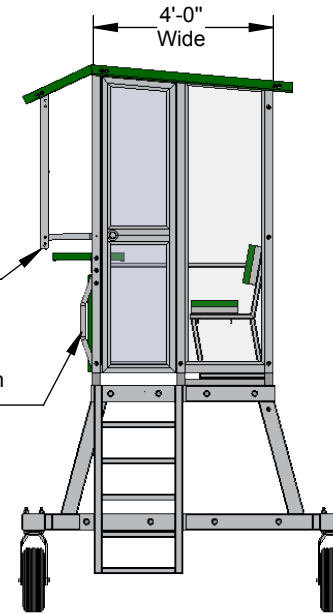
Tinted Plexi-Glass



*Optional:
Model No. DONKEY-PFP
Plexi-Glass Front Panel
1/4" Thick Polycarbonate

Front Panel Capable
of being put up

Mounted
Aluminum
Handle



*Optional:
Model No. DONKEY-TPG
Tinted Plexi-Glass,
3 Sides w/ Door
(Fits to any Donkey Style)

Model # DONKEY-TPG, Tinted Plexi Glass; surrounds three (3) sides of DONKEY units; two (2) side panels and one (1) back panel; offers a more permanent weather screen for personnel inside; all tinted plexi glass sections are framed with custom aluminum extrusion and bolt in place to frame; includes hinged lockable door on ladder entrance side



Aluminum Athletic Equipment
1000 Enterprise Drive, Royersford, PA 19468
Toll Free: (800) 523-5471 Fax: (610) 825-2378
www.AAEsports.com

DESCRIPTION:			DONKEY-TPG - Specifications
NOTE:			Tinted Plexi-Glass
MODEL:	CATEGORY:	DATE:	
DONKEY-TPG	CUSTOMER	11/30/2017	
DWN. BY:	CAD FILE:	DWG. NO.:	
CED	Donkey-Enclosed	DONKEY-TPG-C-001	

DONKEY-TPG-X - Specifications

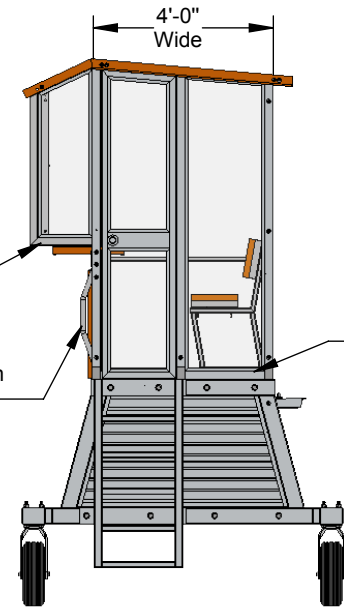
Tinted Plexi-Glass Full Enclosed



*Optional:
Model No. DONKEY-PFP
Plexi-Glass Front Panel
1/4" Thick Polycarbonate

Includes scorer's table side
plexi-glass windows

Mounted
Aluminum
Handle



No Gap



*Optional:
Model No. DONKEY-TPG-X
Tinted Plexi-Glass,
3 Sides w/ Door, Full
(Fits to any Donkey Style)

Model # DONKEY-TPG-X, Tinted Plexi Glass, Full; surrounds three (3) sides of DONKEY units; two (2) side panels with scorer's table side panels and one (1) back panel; offers a more permanent weather screen for personnel inside; all tinted plexi glass sections are framed with custom aluminum extrusion and bolt in place to frame; includes hinged lockable door on ladder entrance side



Aluminum Athletic Equipment
1000 Enterprise Drive, Royersford, PA 19468
Toll Free: (800) 523-5471 Fax: (610) 825-2378
www.AAEsports.com

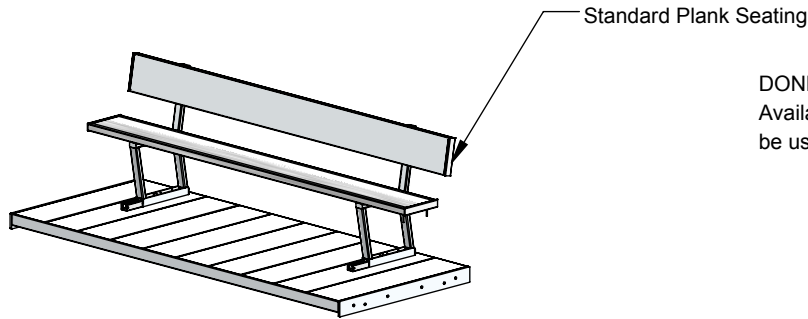
DESCRIPTION: **DONKEY-TPG-X - Specifications**

NOTE: Tinted Plexi-Glass Full Enclosed

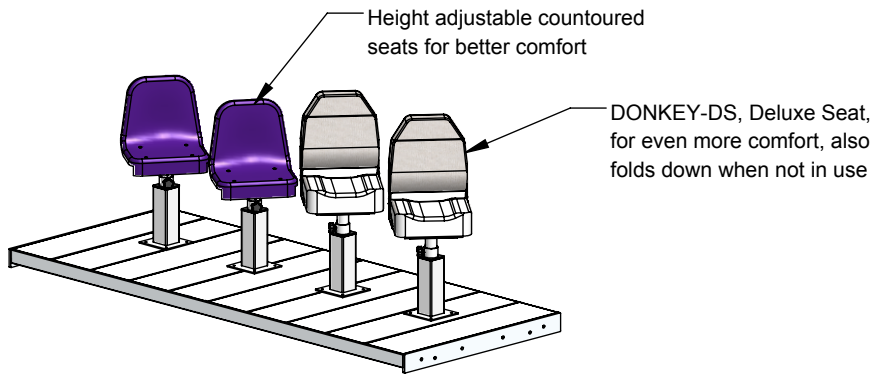
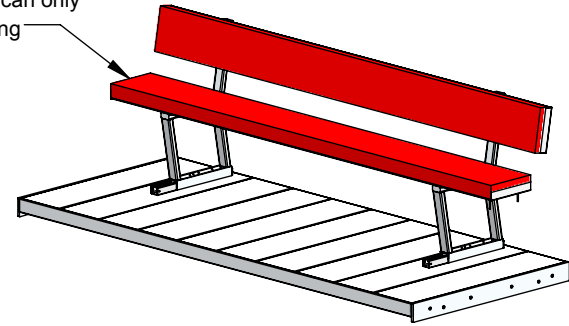
MODEL:	DONKEY-TPG-X	CATEGORY:	CUSTOMER	DATE:	11/30/2017
--------	--------------	-----------	-----------------	-------	------------

DWN. BY:	CAD FILE:	DWG. NO.
CED	Donkey-Enclosed-Full	DONKEY-TPG-X-C-001

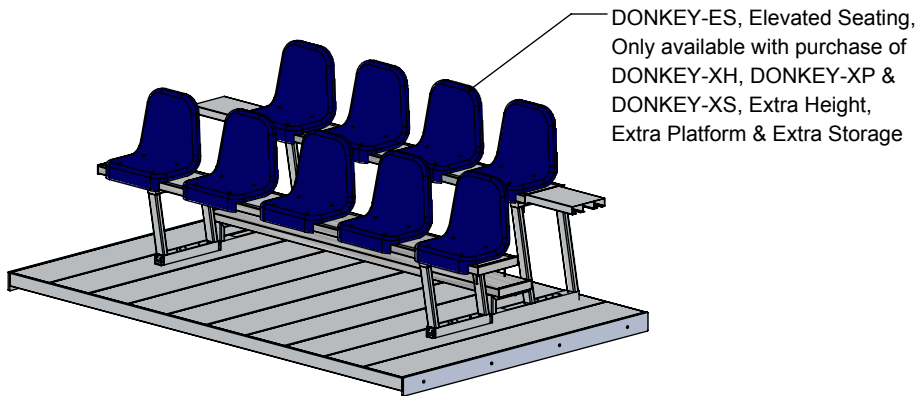
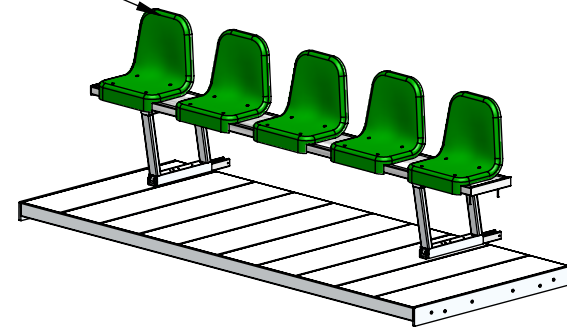
DONKEY - Seating Options



DONKEY-BC & DONKEY-SC
Available for all models, can only
be used with plank seating



Contoured Seating for
more comfort



Seating options are available for all Donkey models, extra costs may apply; Both contoured seats and seat cushions are available in Customer's Choice of Color



Aluminum Athletic Equipment
1000 Enterprise Drive, Royersford, PA 19468
Toll Free: (800) 523-5471 Fax: (610) 825-2378
www.AAEsports.com

DESCRIPTION:

DONKEY-2 - Seating

NOTE:

Seating Options

MODEL:

Model ID

CATEGORY:

CUSTOMER

DATE:

12/05/2017

DWN. BY:

CED

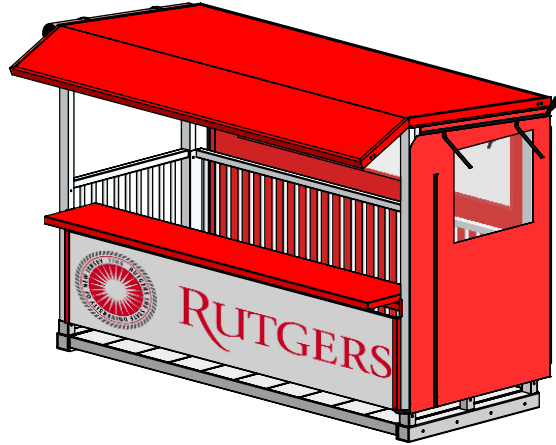
CAD FILE:

File Name

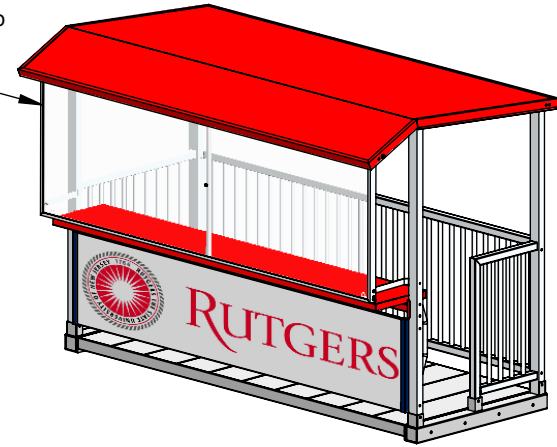
DWG. NO.

Model-C-000

DONKEY - Enclosure Options

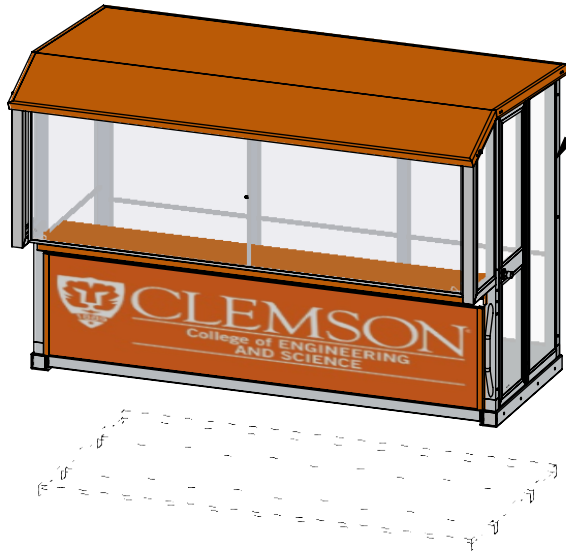
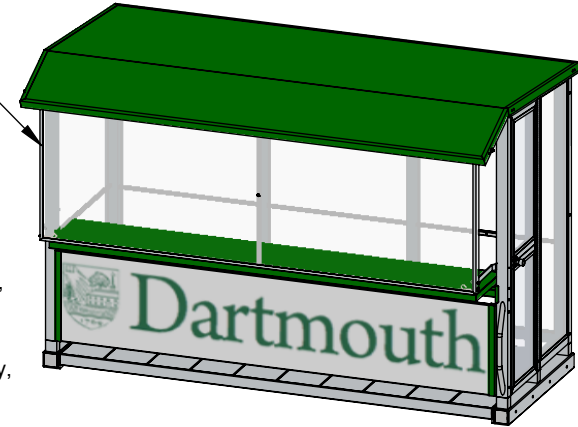


DONKEY-WS, Weather Screens, can be rolled up or removed when not in use; comes in Customer's Choice of Color



DONKEY-PFP, Plexi-Glass Front Panel, Hinged front panel perfect for keeping out the weather, capable of being put up when not in use

DONKEY-TPG, Tinted Plexi-Glass, includes 3 sides with a door, DONKEY-PFP sold separately



DONKEY-TPG-X, Tinted Plexi-Glass Full, Includes 3 sides that extend to the platform base, a door and side scorer's table windows for a fully enclosed Donkey, Donkey-PFP sold separately

Enclosure options available for all Donkey Models, additional costs may apply when purchasing certain additional options



Aluminum Athletic Equipment
1000 Enterprise Drive, Royersford, PA 19468
Toll Free: (800) 523-5471 Fax: (610) 825-2378
www.AAEsports.com

DESCRIPTION:				DONKEY-2-Enclosure	
NOTE:				Enclosure Options	
MODEL:		CATEGORY:	DATE:		
Model ID		CUSTOMER	12/05/2017		
DWN. BY:	CAD FILE:	DWG. NO.			
CED	File Name		Model-C-000		