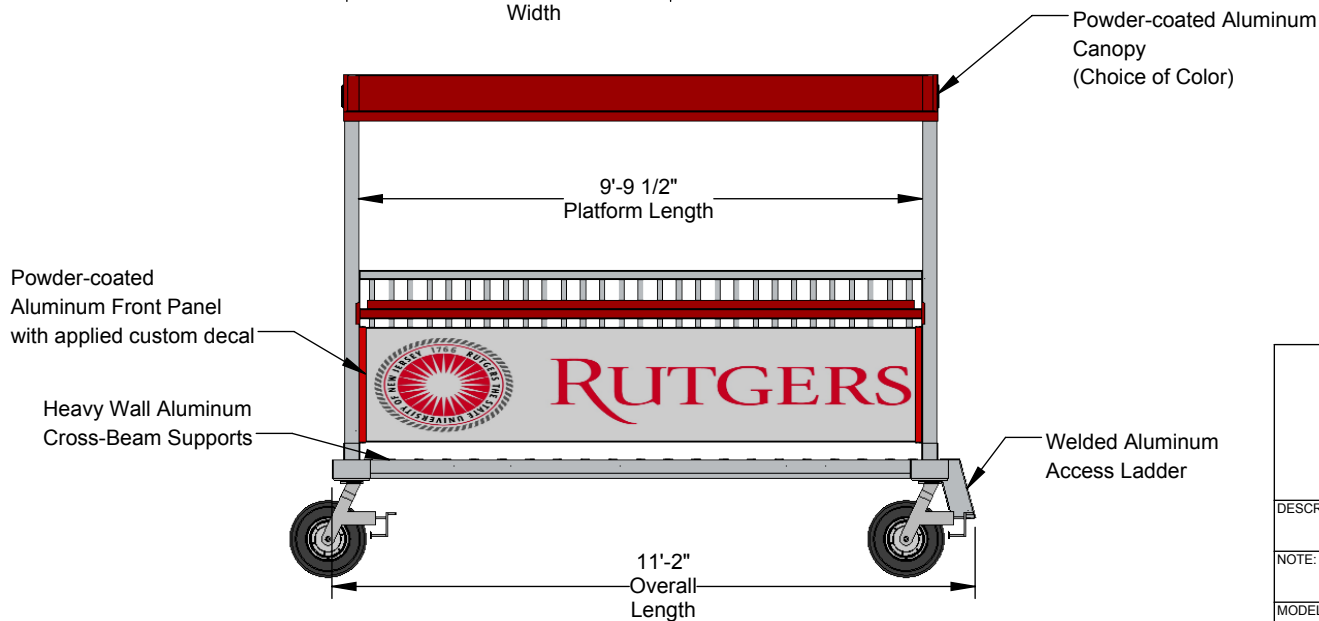
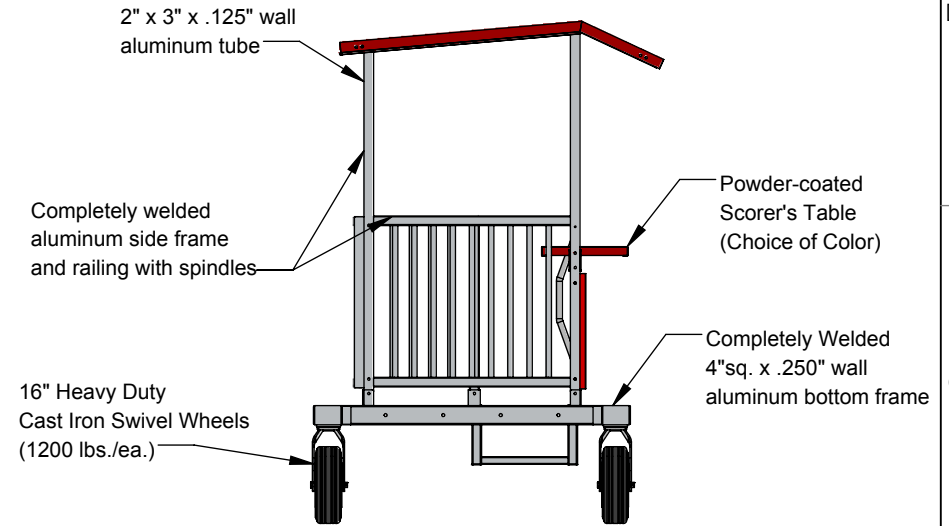
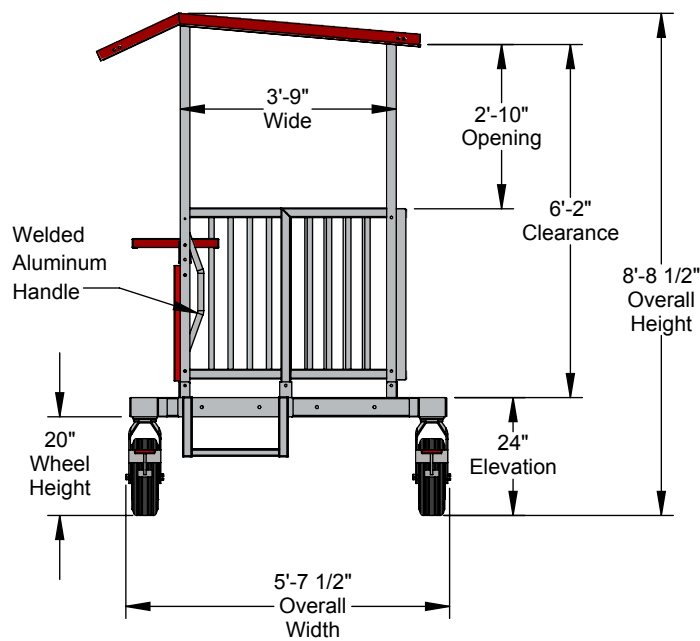

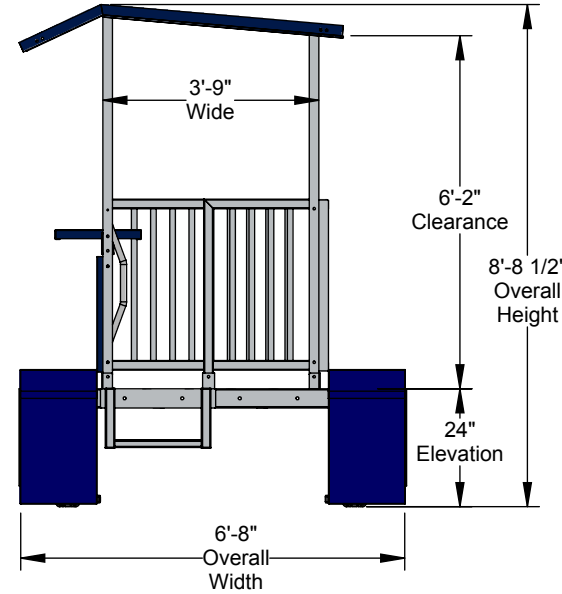
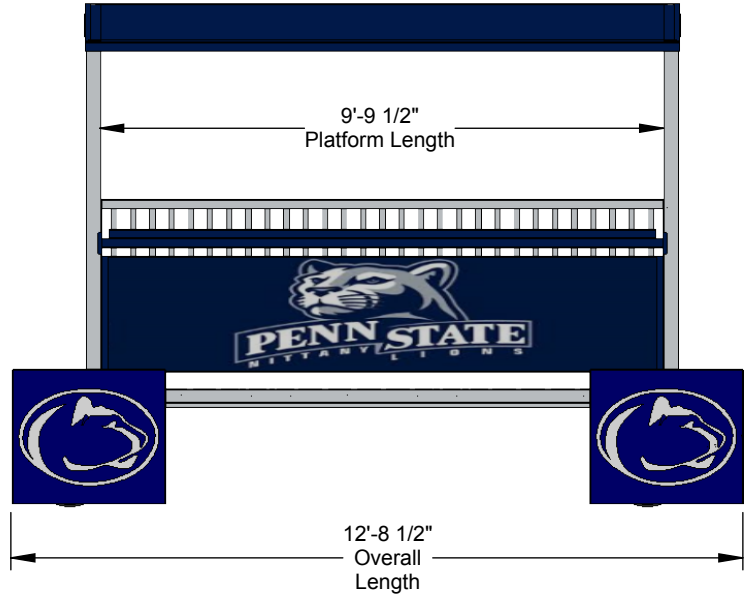
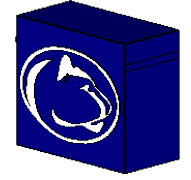


# DONKEY-3 Specifications

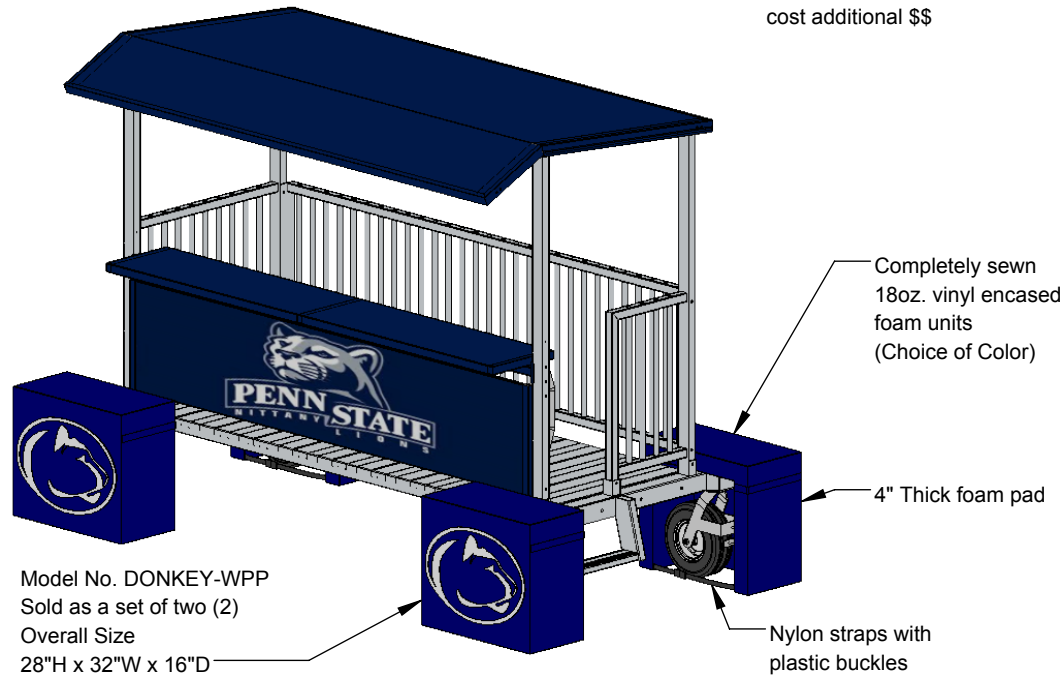


 <b>Aluminum Athletic Equipment</b> 1000 Enterprise Drive, Royersford, PA 19468 Toll Free: (800) 523-5471 Fax: (610) 825-2378 <a href="http://www.aaesports.com">www.aaesports.com</a>		
DESCRIPTION: <b>DONKEY-3 - Specifications</b>		
NOTE: Donkey-3 Base Model		
MODEL: DONKEY-3	CATEGORY: <b>CUSTOMER</b>	DATE: 12/7/2017
DWN. BY: CED	CAD FILE: DONKEY-3-Specifications	DWG. NO. DONKEY-3-C-001

# DONKEY-3-WPP - Specifications (Wheel Protector Pads)



Custom logos not included,  
cost additional \$\$



Model No. DONKEY-WPP  
Sold as a set of two (2)  
Overall Size  
28\"/>

Model # DONKEY-WPP, Wheel Protector Pads, set of two (2), 4" thick foam encased in 18oz. knife-coated vinyl in customers choice of color, Nylon straps with plastic buckles hold the protector pad around the wheel; Overall Size 28"H x 32"W x 16"D



**Aluminum Athletic Equipment**  
1000 Enterprise Drive, Royersford, PA 19468  
Toll Free: (800) 523-5471 Fax: (610) 825-2378  
www.aaesports.com

DESCRIPTION: **DONKEY-3-WPP - Specifications**

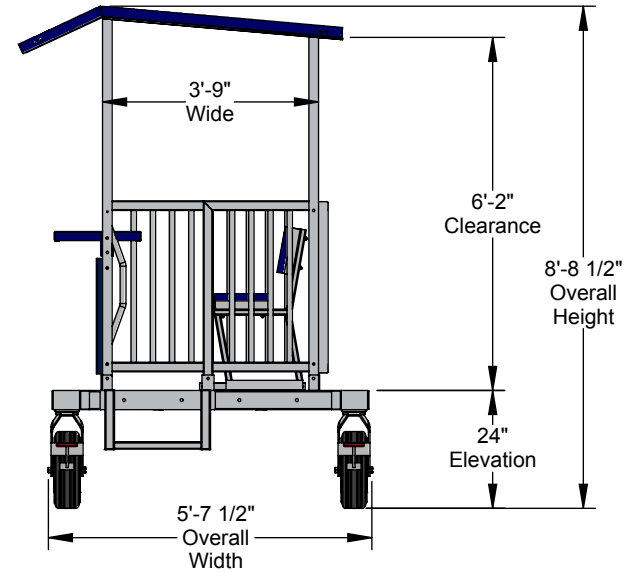
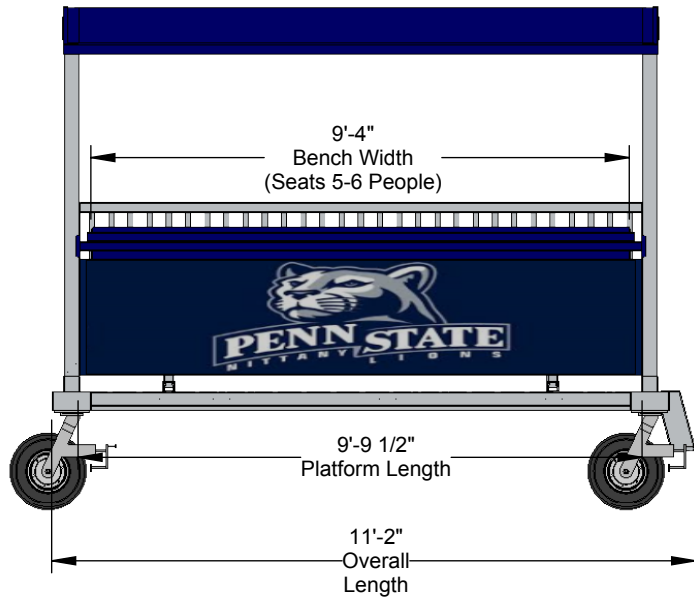
NOTE: Wheel Protector Pads

MODEL: DONKEY-3-WPP	CATEGORY: CUSTOMER	DATE: 12/7/2017
---------------------	--------------------	-----------------

DWN. BY: CED	CAD FILE: DONKEY-3-WPP	DWG. NO. DONKEY-3-WPP-C-001
--------------	------------------------	-----------------------------

# DONKEY-3-SEAT CUSHIONS - Specifications

## DONKEY-SC & DONKEY-BC



Optional: Model No. DONKEY-SC & DONKEY-BC Vinyl seat and backrest cushions available in various colors

Model # DONKEY-SC, Seat Cushion, and Model # DONKEY-BC, Backrest Cushion, 18oz. vinyl encased 2" thick foam; 2" wide Velcro flap attaches cushion to aluminum plank; adds additional comfort

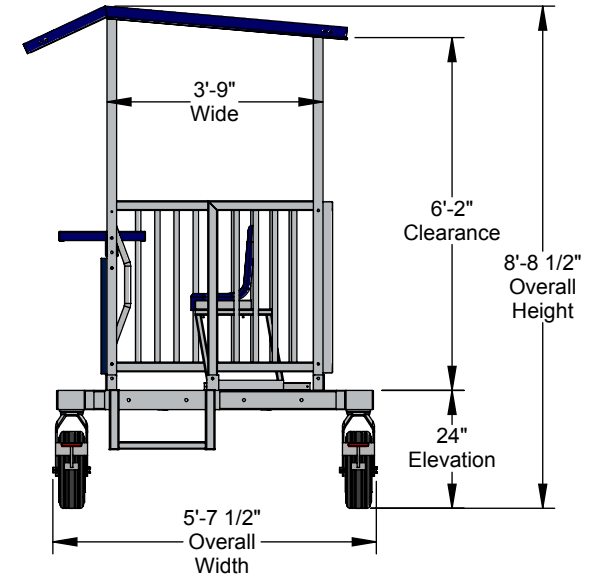
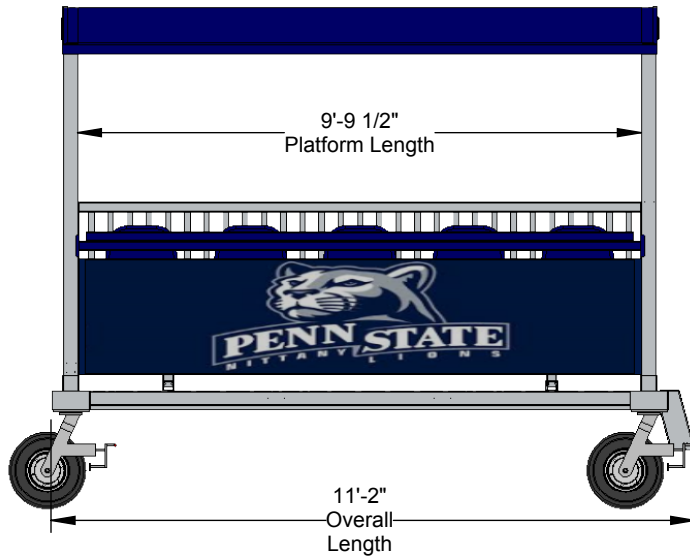


**Aluminum Athletic Equipment**  
1000 Enterprise Drive, Royersford, PA 19468  
Toll Free: (800) 523-5471 Fax: (610) 825-2378  
[www.aaesports.com](http://www.aaesports.com)

DESCRIPTION: <b>DONKEY-3-SEAT CUSHIONS - Specifications</b>		
NOTE: DONKEY-SC & DONKEY-BC		
MODEL: DONKEY-3-SC/BC	CATEGORY: <b>CUSTOMER</b>	DATE: 12/7/2017
DWN. BY: CED	CAD FILE: DONKEY-3-SC/BC	DWG. NO. DONKEY-3-SC/BC-C-001

# DONKEY-3-CS - Specifications

## Custom Seating



Model No. DONKEY-CS  
Contoured seats  
for additional  
comfort. Bench seating  
also available as  
specified per customer.



Contoured seating  
(Seats 5 People)

Seating comes in a  
variety of colors

Model # DONKEY-CS, Custom Seating, 11" wide aluminum plank bench seating; accommodates up to 6 people; contoured seating for additional comfort also available with customers specified color choice

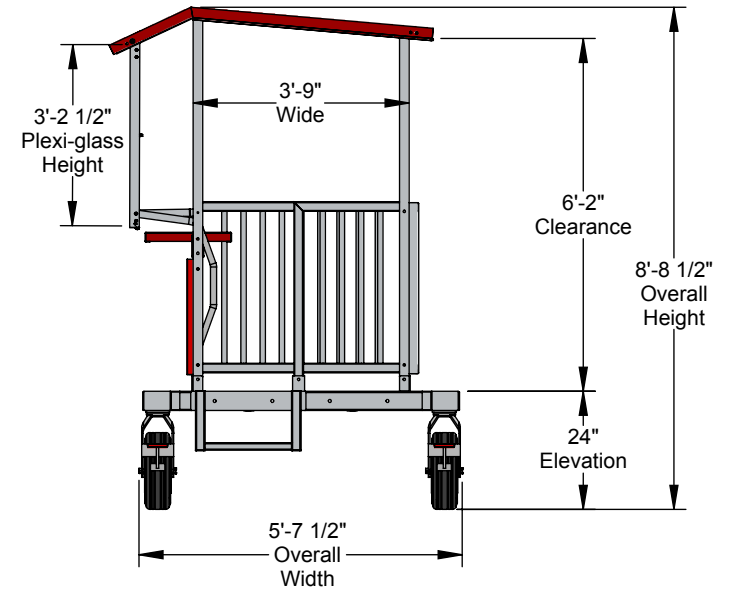
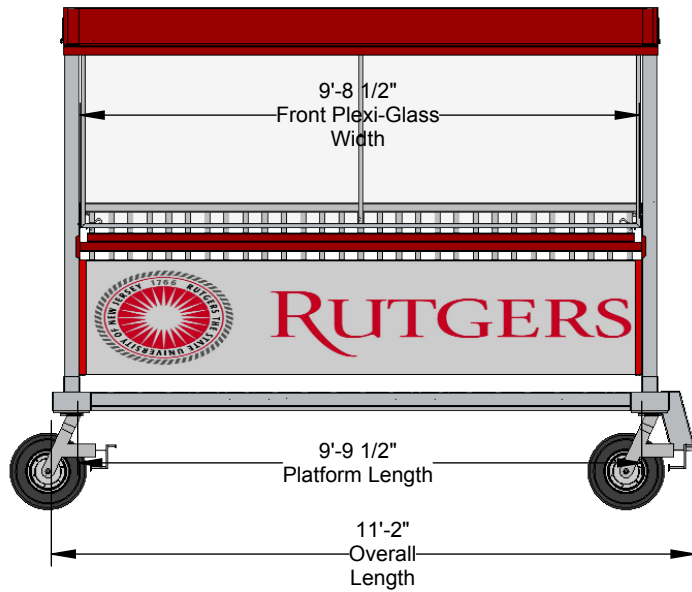


**Aluminum Athletic Equipment**  
1000 Enterprise Drive, Royersford, PA 19468  
Toll Free: (800) 523-5471 Fax: (610) 825-2378  
www.aaesports.com

DESCRIPTION:			<b>DONKEY-3-CS - Specifications</b>		
NOTE:			Custom Seating		
MODEL:	CATEGORY:	DATE:			
DONKEY-3-CS	<b>CUSTOMER</b>	12/7/2017			
DWN. BY:	CAD FILE:	DWG. NO.			
CED	DONKEY-3-CS	DONKEY-3-CS-C-001			

# DONKEY-3-PFP - Specifications

## Plexi-glass Front Panel



\*Optional:  
Model No. DONKEY-PFP  
Plexi-Glass Front Panel  
1/4" Thick Polycarbonate



Capable of being folded up

Model # DONKEY-PFP, Weather Front Panel; one (1) clear plexi-glass front panel; framed in custom aluminum extrusion with rubber gasket attaches to top canopy bolts; panel hinges up to canopy top when not in use; removable panel



**Aluminum Athletic Equipment**  
1000 Enterprise Drive, Royersford, PA 19468  
Toll Free: (800) 523-5471 Fax: (610) 825-2378  
www.aaesports.com

DESCRIPTION: **DONKEY-3-PFP - Specifications**

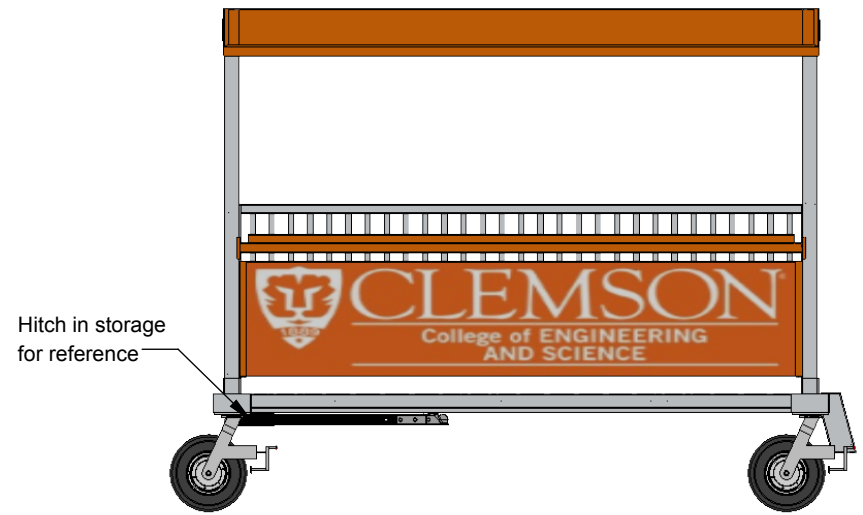
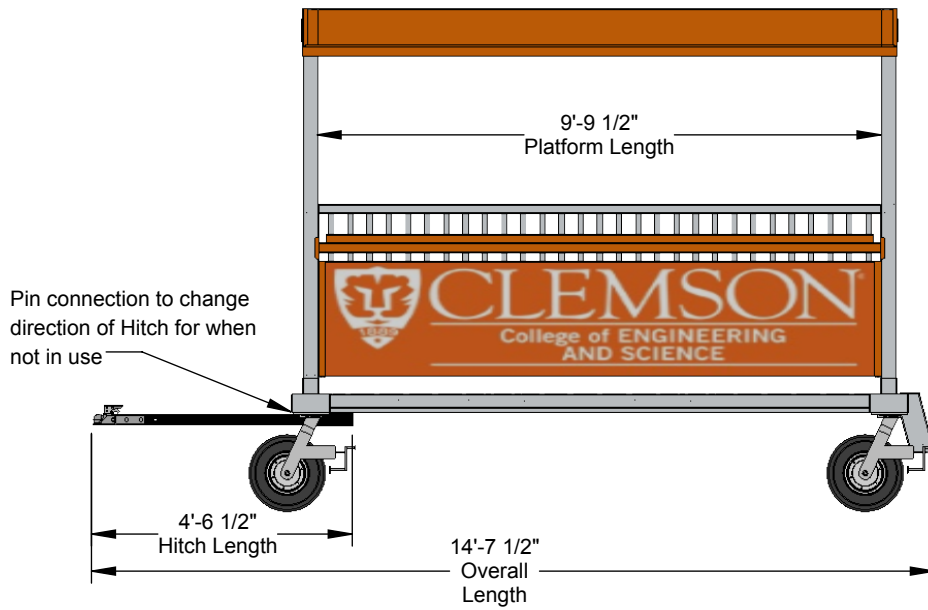
NOTE: Plexi-glass Front Panel

MODEL: DONKEY-3-PFP	CATEGORY: <b>CUSTOMER</b>	DATE: 12/7/2017
------------------------	------------------------------	--------------------

DWN. BY: CED	CAD FILE: DONKEY-3-PFP	DWG. NO. DONKEY-3-PFP-C-001
-----------------	---------------------------	--------------------------------

# DONKEY-3-HA - Specifications

## Hitch Attachment



Model No. DONKEY-HA  
Galvanized steel hinged arm with 2" coupler connects your Donkey to any utility vehicle for easy relocation (3MPH maximum tow speed)



Model # DONKEY-HA, Hitch Attachment with 2" ball coupler; allows unit to be towed by and vehicle with a 2" ball hitch (3mph max); 4' long galvanized steel square tube; galvanized steel/vinyl-coated black mounting plate with removable hinge pin allows for simple and convenient stow away



**Aluminum Athletic Equipment**  
1000 Enterprise Drive, Royersford, PA 19468  
Toll Free: (800) 523-5471 Fax: (610) 825-2378  
[www.aaesports.com](http://www.aaesports.com)

DESCRIPTION: **DONKEY-3-HA - Specifications**

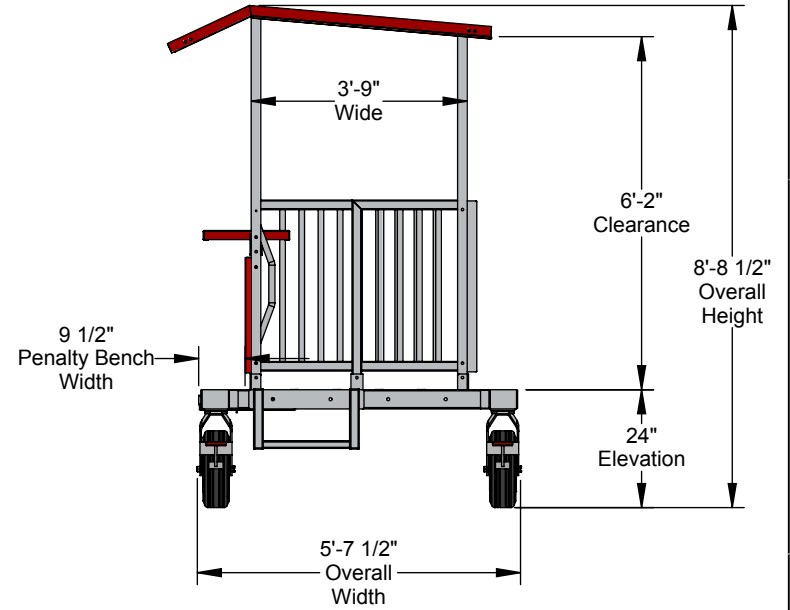
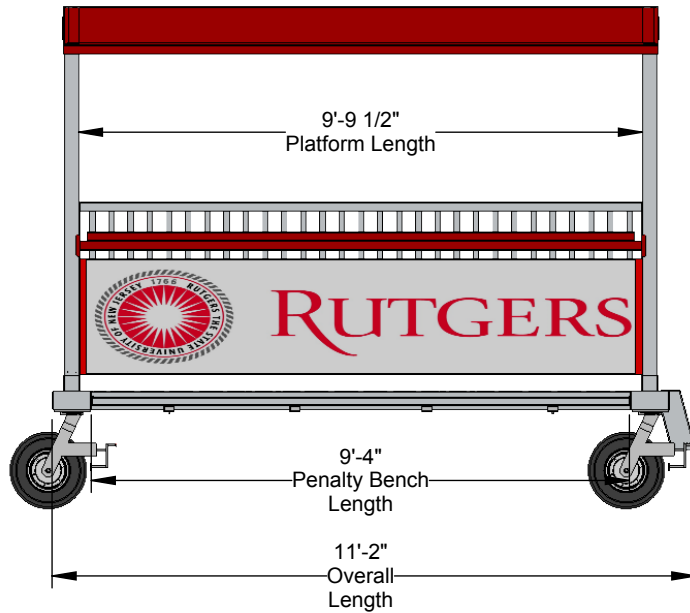
NOTE: Hitch Attachment

MODEL: DONKEY-3-HA	CATEGORY: <b>CUSTOMER</b>	DATE: 12/7/2017
-----------------------	------------------------------	--------------------

DWN. BY: CED	CAD FILE: DONKEY-3-HA	DWG. NO. DONKEY-3-HA-C-001
-----------------	--------------------------	-------------------------------

# DONKEY-3-PB - Specifications

## Penalty Bench



Model No. DONKEY-PB  
Welded Aluminum  
Penalty Bench  
(Seats 5-6 People)

Penalty Bench sits  
along front wheel frame



Model # DONKEY-PB, Penalty Bench; 10" wide aluminum plank with side and center support brackets; accommodates bottom front row seating for up to 6 people; typically used in the sport of lacrosse



**Aluminum Athletic Equipment**  
1000 Enterprise Drive, Royersford, PA 19468  
Toll Free: (800) 523-5471 Fax: (610) 825-2378  
www.aaesports.com

DESCRIPTION: **DONKEY-3-PB - Specifications**

NOTE: Penalty Bench

MODEL: DONKEY-3-PB	CATEGORY: <b>CUSTOMER</b>	DATE: 12/7/2017
-----------------------	------------------------------	--------------------

DWN. BY: CED	CAD FILE: DONKEY-3-PB	DWG. NO. DONKEY-3-PB-C-001
-----------------	--------------------------	-------------------------------

# DONKEY-3-SP - Specifications

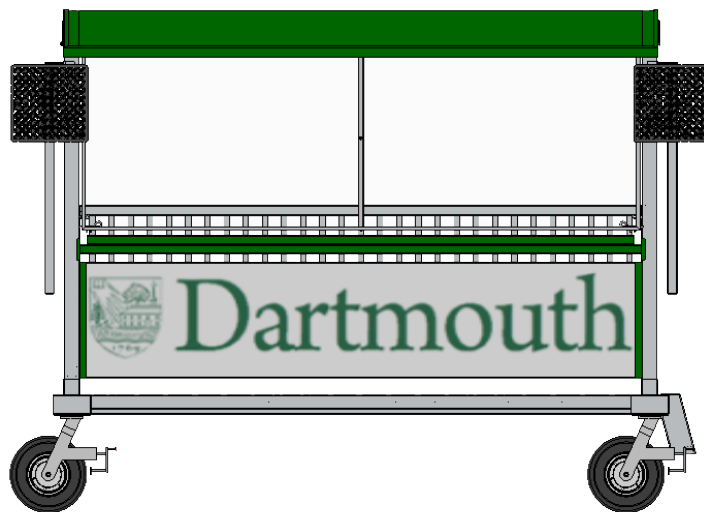
## Speaker Packages (Without Speakers, Standard, Premium)

All models include wire run through frame cover supports on both sides to underneath scorers table for center connectivity



Model No. DONKEY-PS

Model No. DONKEY-SB Speaker Bracket allows for speakers to be mounted with the Front Plexi-Glass Panel (Sold Separately)



Accommodates up to a 60 lbs. speaker

Model # DONKEY-SP/PS, Premium Speaker Package with two (2) plug-and-play factory-installed seamless pre-wired outdoor speakers to unit



**Aluminum Athletic Equipment**  
1000 Enterprise Drive, Royersford, PA 19468  
Toll Free: (800) 523-5471 Fax: (610) 825-2378  
[www.aaesports.com](http://www.aaesports.com)

DESCRIPTION: **DONKEY-3-SP - Specifications**

NOTE: Speaker Packages - WS - SS - PS

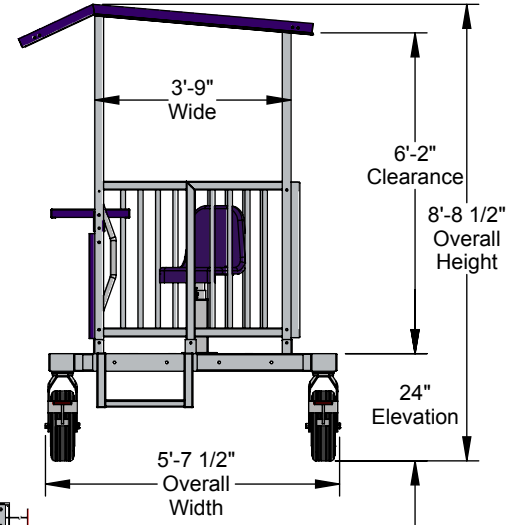
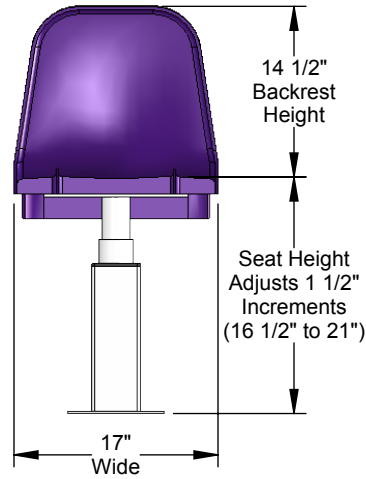
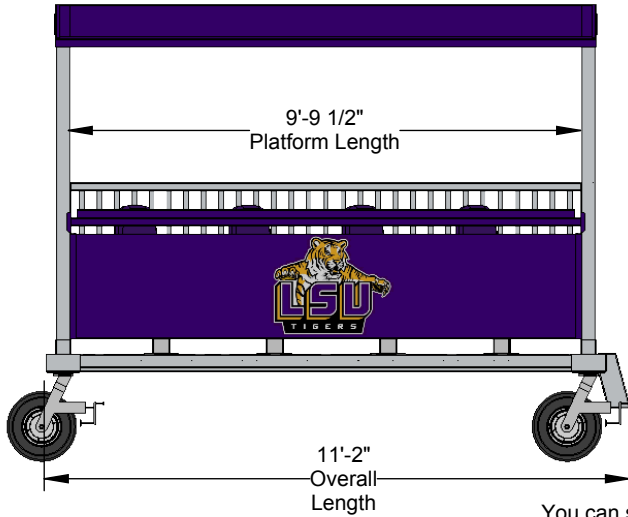
MODEL:	CATEGORY:	DATE:
DONKEY-3-SP	<b>CUSTOMER</b>	12/7/2017

DWN. BY:	CAD FILE:	DWG. NO.:
CED	DONKEY-3-SP	DONKEY-3-SP-C-001



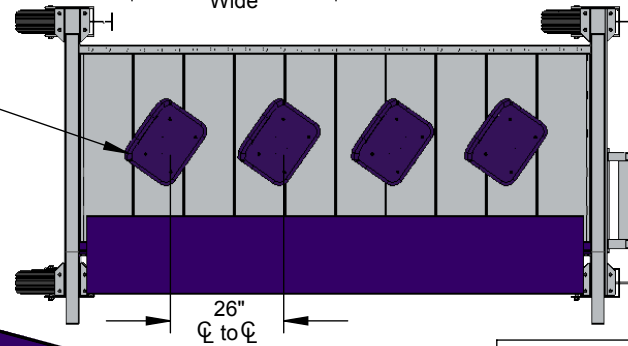
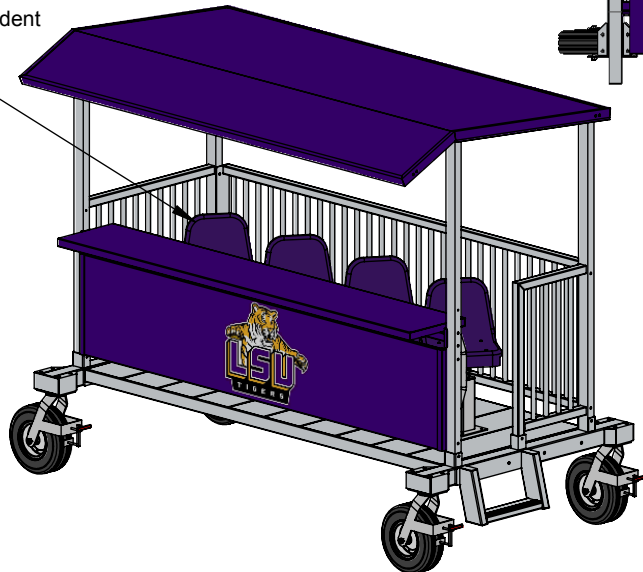
# DONKEY-3-CC - Specifications

## Captain's Chair



You can still have full rotation capabilities with up to four(4) Captain's Chairs

Model No. DONKEY-CC  
Contoured seat with height adjustable independent aluminum swivel base (Choice of Color)



Model # DONKEY-CC, Captain's Chair, height adjustable contoured seat with a swivel base; height adjusts in 1 1/2" increments from 16 1/2" to 21"

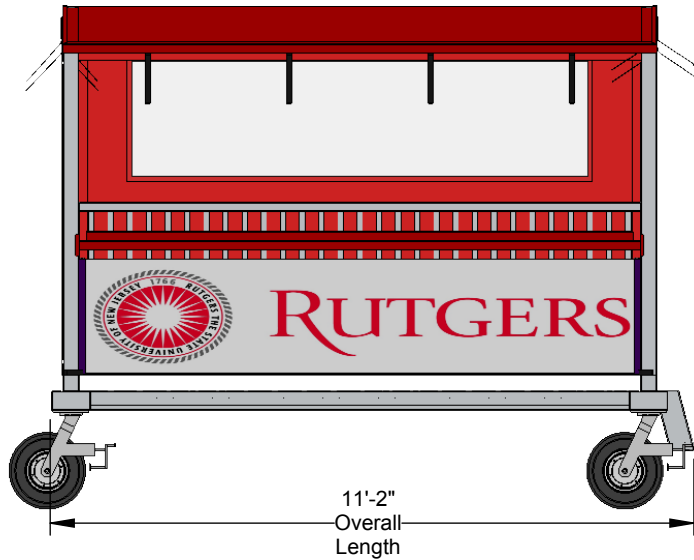


**Aluminum Athletic Equipment**  
1000 Enterprise Drive, Royersford, PA 19468  
Toll Free: (800) 523-5471 Fax: (610) 825-2378  
[www.aaesports.com](http://www.aaesports.com)

DESCRIPTION:		
<b>DONKEY-3-CC - Specifications</b>		
NOTE: Captain's Chair		
MODEL:	CATEGORY:	DATE:
DONKEY-3-CC	<b>CUSTOMER</b>	11/20/2017
DWN. BY:	CAD FILE:	DWG. NO.:
CED	DONKEY-3-CC	DONKEY-3-CC-C-001

# DONKEY-3-WS - Specifications

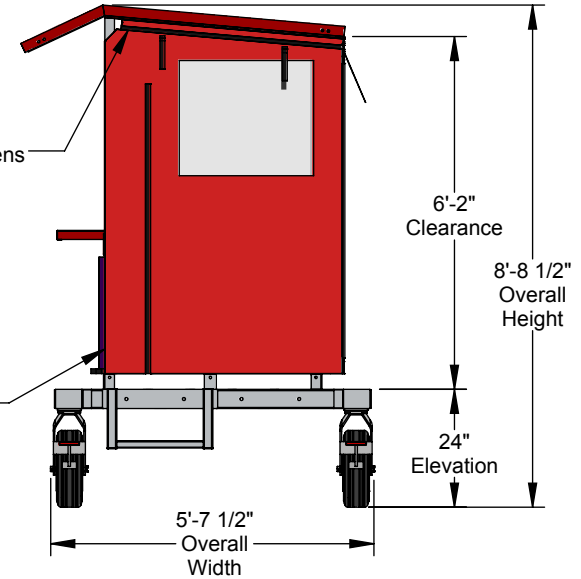
## Weather Screens



Velcro enables the screens to be rolled up

Zippers at the top for easy removal of the screens

Weather Screens come in your (Choice of Color)



6'-2" Clearance

8'-8 1/2" Overall Height

24" Elevation

5'-7 1/2" Overall Width

Weather Screen rolled up for reference

Zippers connect the rear Weather Screen to the sides for a weather tight seal



Model No. DONKEY-WS  
Three-sided enclosure with clear vinyl windows for 360° view

Model # DONKEY-WS, Weather Screens, set of three (3) sides; 18oz. knife-coated vinyl in customers choice of color; clear vinyl windows on all three (3) side weather panels; top of each panel zippers to top canopy; bottom of panels include sewn on velcro straps to attach bottoms to frame; weather side panels zipper vertically to back panel corners; all panels can be rolled up and velcro strapped when not in use; zippers provide for easily removable panels

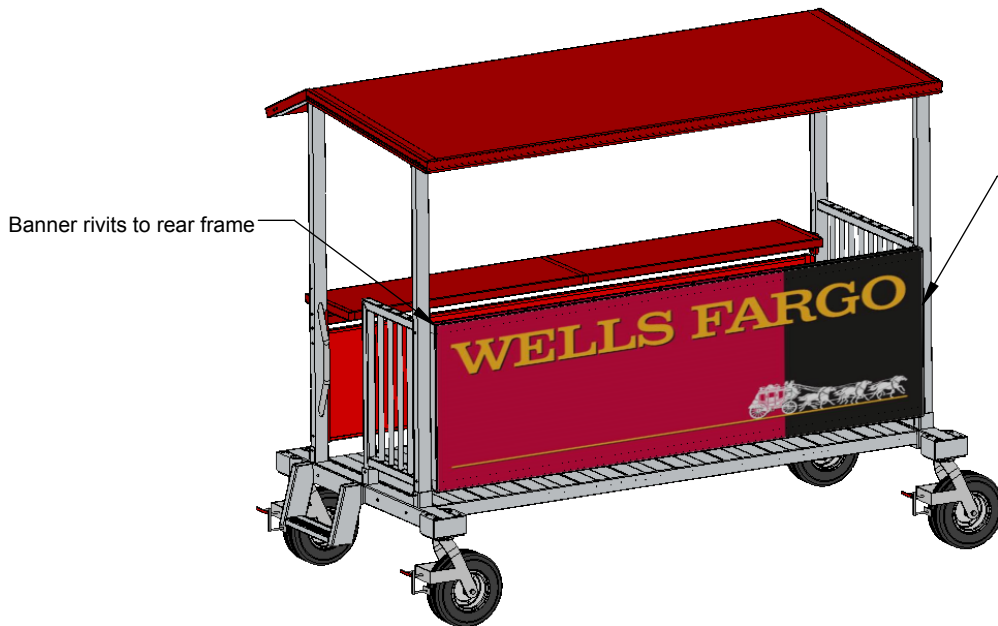
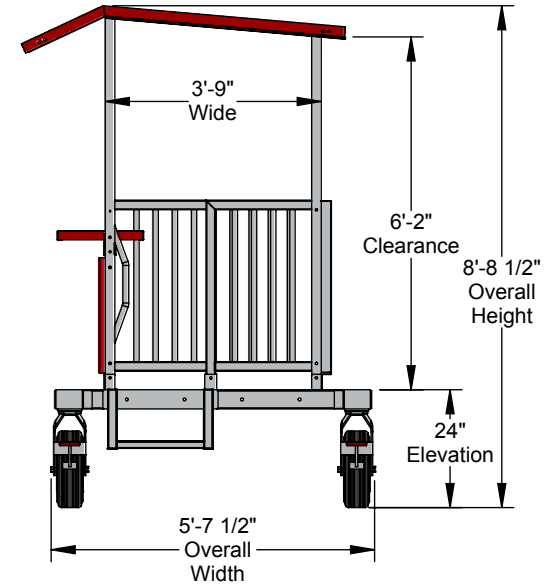
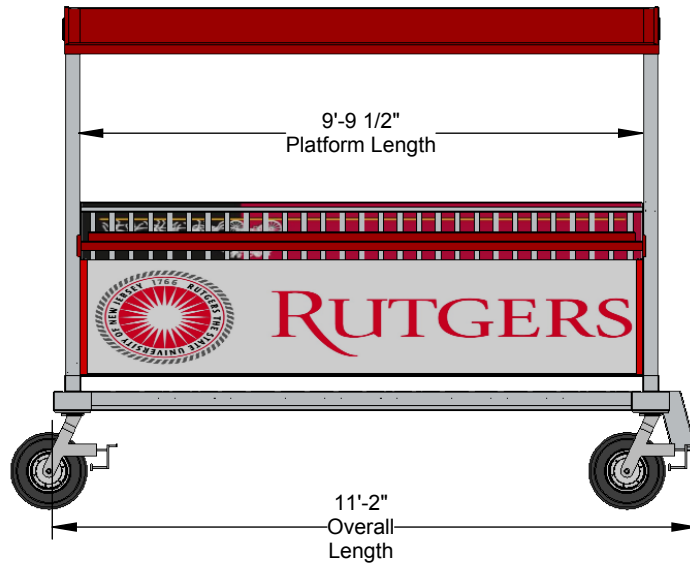


**Aluminum Athletic Equipment**  
1000 Enterprise Drive, Royersford, PA 19468  
Toll Free: (800) 523-5471 Fax: (610) 825-2378  
[www.aaesports.com](http://www.aaesports.com)

DESCRIPTION:		
<b>DONKEY-3-WS - Specifications</b>		
NOTE: Weather Screens		
MODEL:	CATEGORY:	DATE:
DONKEY-3-WS	<b>CUSTOMER</b>	11/20/2017
DWN. BY:	CAD FILE:	DWG. NO.:
CED	DONKEY-3-WS	DONKEY-3-WS-C-001

# DONKEY-3-BB-A - Specifications

## Aluminum Back Banner



Model # DONKEY-BB, Back Banner (4' x 10'); 1/8" thick aluminum panel powder-coated in customers choice of color; includes one (1) color screen of school name or logo; attaches to back railing (can be added to any DONKEY model)



**Aluminum Athletic Equipment**  
1000 Enterprise Drive, Royersford, PA 19468  
Toll Free: (800) 523-5471 Fax: (610) 825-2378  
www.aaesports.com

DESCRIPTION:		
<b>DONKEY-3-BB-A - Specifications</b>		
NOTE: Aluminum Back Banner		
MODEL:	CATEGORY:	DATE:
DONKEY-3-BB-A	<b>CUSTOMER</b>	11/20/2017
DWN. BY:	CAD FILE:	DWG. NO.:
CED	DONKEY-3-BB-A	DONKEY-3-BB-A-C-001

# DONKEY-3-BN - Specifications

## Bird's Nest

D

C

B

A

4'-5"  
Platform Length

4'-1"  
Referee Seat

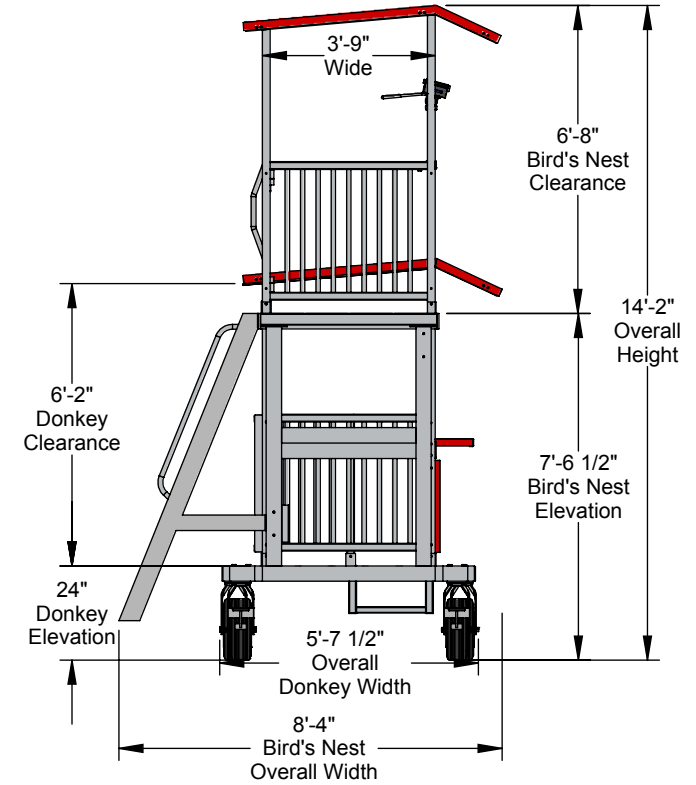
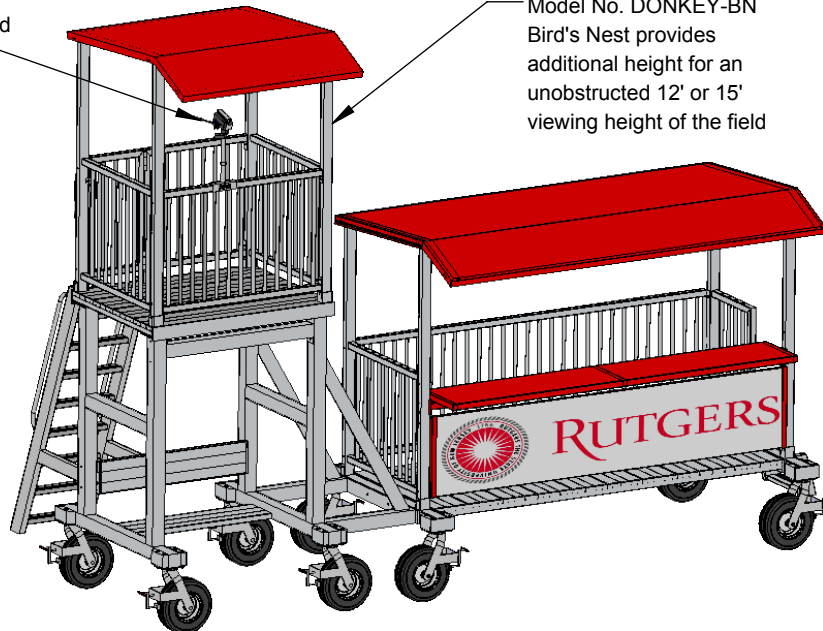
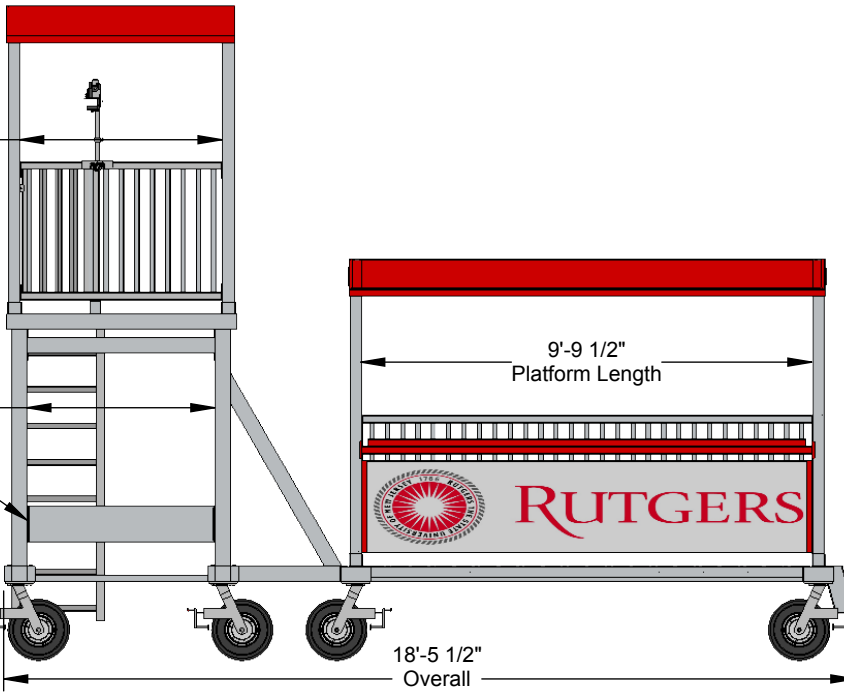
Additional seating  
(Seats 2-3 People)

18'-5 1/2"  
Overall Length

9'-9 1/2"  
Platform Length

Optional:  
Model No. VCU-RM  
Video Camera Unipod  
Rail Mount Style

Model No. DONKEY-BN  
Bird's Nest provides  
additional height for an  
unobstructed 12' or 15'  
viewing height of the field



D

C

B

A

Model No. DONKEY-BN - Bird's Nest Filming Platform - 4'-0" x 4'-0" platform area with a 7'-0" platform height, TIG welded 4"sq. x .250" heavy-wall aluminum with rounded corners, TIG welded aluminum railing with 1-1/4"rd. aluminum spindles spaced 3-1/2" on center meets IBC Codes, two 16" diameter flat-free foam filled swivel casters with brakes, 12" wide x 4'-0" long anodized Referee's Bench seat with backrest underneath platform, powder-coated aluminum canopy top color of choice



**Aluminum Athletic Equipment**  
1000 Enterprise Drive, Royersford, PA 19468  
Toll Free: (800) 523-5471 Fax: (610) 825-2378  
www.aaesports.com

DESCRIPTION:		
<b>DONKEY-3-BN - Specifications</b>		
NOTE: Bird's Nest		
MODEL:	CATEGORY:	DATE:
DONKEY-3-BN	<b>CUSTOMER</b>	11/20/2017
DWN. BY:	CAD FILE:	DWG. NO.:
CED	DONKEY-3-BN	DONKEY-3-BN-C-001

# DONKEY-ES - Specifications

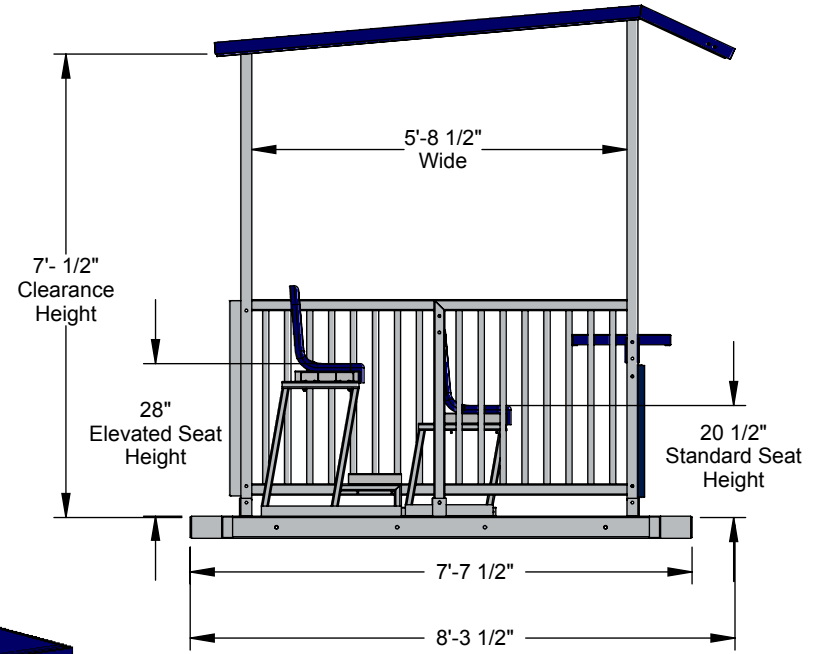
## Elevated Seating

D

C

B

A



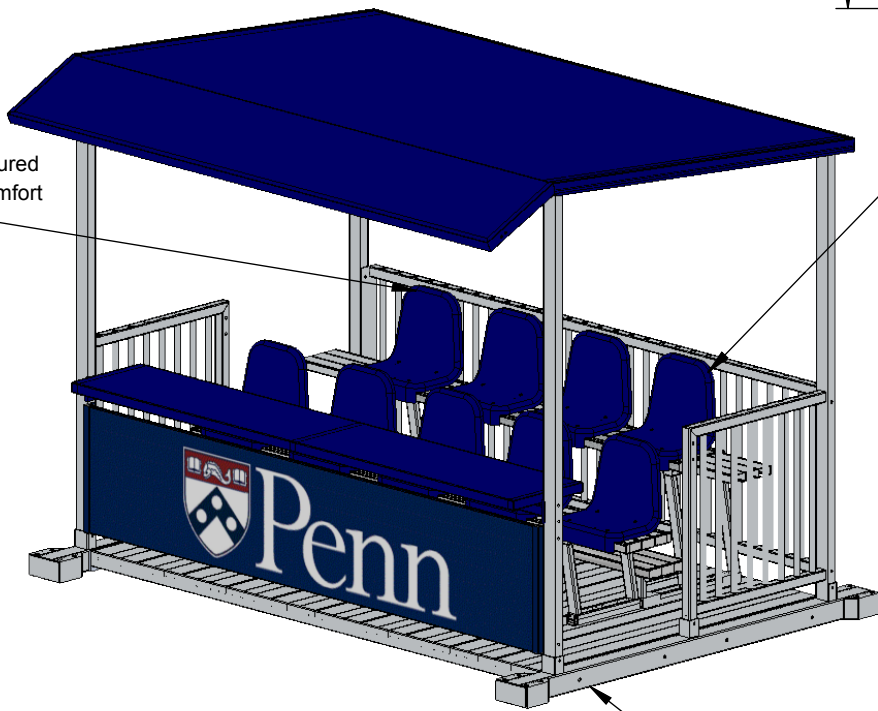
D

C

B

A

Model No. DONKEY-ES  
Elevated seating adds a second row, while contoured seats offer additional comfort (Choice of Color)



Elevated Rear seats (4 People)

Elevated Seating requires a wider base platform

Model # DONKEY-ES, Elevated Seating, 11" wide aluminum plank seating with a second row of seating raised 7 1/2" seats 6 people each; contoured seating for additional comfort also available with customers specified color choice



**Aluminum Athletic Equipment**  
1000 Enterprise Drive, Royersford, PA 19468  
Toll Free: (800) 523-5471 Fax: (610) 825-2378  
[www.aaesports.com](http://www.aaesports.com)

DESCRIPTION:		
<b>DONKEY-ES - Specifications</b>		
NOTE: Elevated Seating		
MODEL:	CATEGORY:	DATE:
DONKEY-ES	<b>CUSTOMER</b>	11/30/2017
DWN. BY:	CAD FILE:	DWG. NO.:
CED	DONKEY-ES	DONKEY-ES-C-001

6

5

4

3

2

1

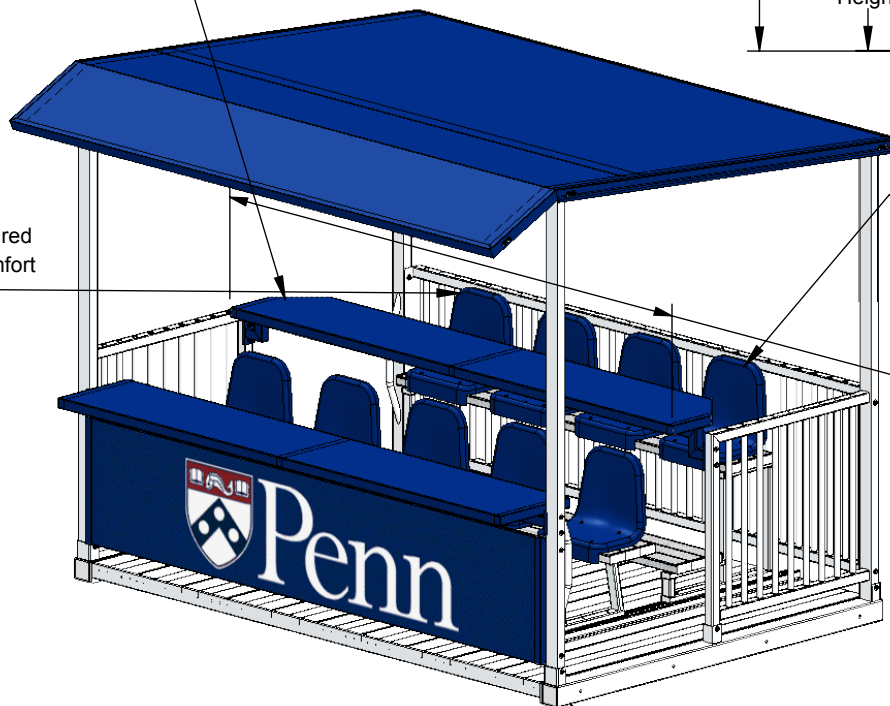
# DONKEY-ES & DONKEY-TT-R - Specifications

## Elevated Seating & Rear Table Top

D  
C  
B  
A

\*Optional: Model No. DONKEY-TT-R  
Rear Table Top for rear elevated seating

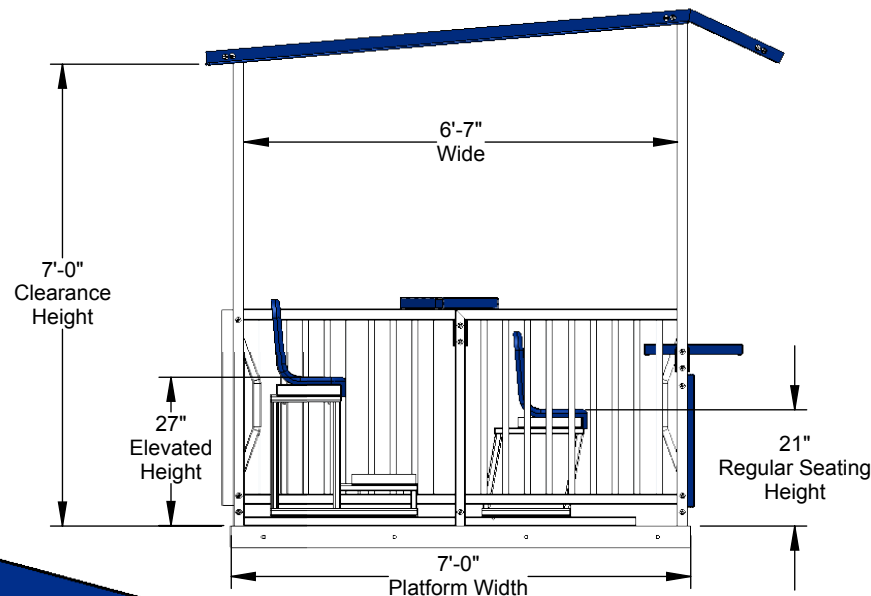
Model No. DONKEY-ES  
Elevated seating adds a second row, while contoured seats offer additional comfort (Choice of Color)



Elevated Rear seats (4 People)

114" Table Length

Elevated Seating requires a wider base platform



Model # DONKEY-ES with DONKEY-TT-R, Elevated Seating with Rear Table Top; Elevated Seating adds an additional plank bench seating, contoured seating available for additional comfort, the powder-coated aluminum Rear Table Top serves as a Scorer's Table for the second row; a wider base platform is required



**Aluminum Athletic Equipment**  
1000 Enterprise Drive, Royersford, PA 19468  
Toll Free: (800) 523-5471 Fax: (610) 825-2378  
[www.aaesports.com](http://www.aaesports.com)

DESCRIPTION:  
**DONKEY-ES & DONKEY-TT-R - Specifications**

NOTE:  
Elevated Seating & Rear Table Top

MODEL: DONKEY-TT-R	CATEGORY: <b>CUSTOMER</b>	DATE: 12/01/2017
-----------------------	------------------------------	---------------------

DWN. BY: CED	CAD FILE: DONKEY-TT-R	DWG. NO. DONKEY-TT-R-C-001
-----------------	--------------------------	-------------------------------

# DONKEY-TPG - Specifications

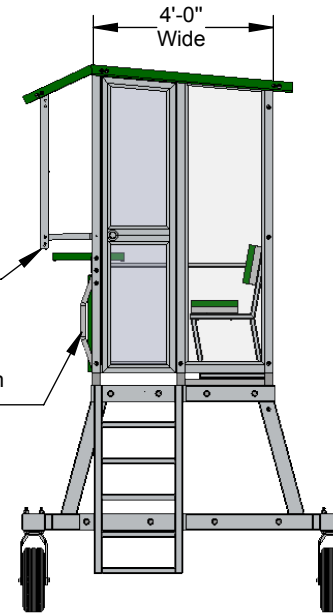
## Tinted Plexi-Glass



\*Optional:  
Model No. DONKEY-PFP  
Plexi-Glass Front Panel  
1/4" Thick Polycarbonate

Front Panel Capable  
of being put up

Mounted  
Aluminum  
Handle



\*Optional:  
Model No. DONKEY-TPG  
Tinted Plexi-Glass,  
3 Sides w/ Door  
(Fits to any Donkey Style)

Model # DONKEY-TPG, Tinted Plexi Glass; surrounds three (3) sides of DONKEY units; two (2) side panels and one (1) back panel; offers a more permanent weather screen for personnel inside; all tinted plexi glass sections are framed with custom aluminum extrusion and bolt in place to frame; includes hinged lockable door on ladder entrance side



**Aluminum Athletic Equipment**  
1000 Enterprise Drive, Royersford, PA 19468  
Toll Free: (800) 523-5471 Fax: (610) 825-2378  
[www.aaesports.com](http://www.aaesports.com)

DESCRIPTION:		
<b>DONKEY-TPG - Specifications</b>		
NOTE: Tinted Plexi-Glass		
MODEL:	CATEGORY:	DATE:
DONKEY-TPG	<b>CUSTOMER</b>	11/30/2017
DWN. BY:	CAD FILE:	DWG. NO.:
CED	Donkey-Enclosed	DONKEY-TPG-C-001

# DONKEY-TPG-X - Specifications

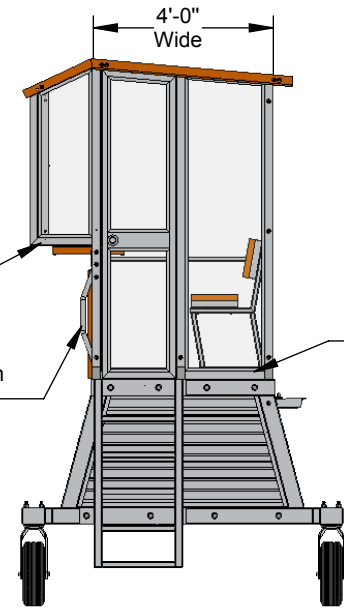
## Tinted Plexi-Glass Full Enclosed



\*Optional:  
Model No. DONKEY-PFP  
Plexi-Glass Front Panel  
1/4" Thick Polycarbonate

Includes scorer's table side  
plexi-glass windows

Mounted  
Aluminum  
Handle



4'-0"  
Wide

\*No Gap\*



\*Optional:  
Model No. DONKEY-TPG-X  
Tinted Plexi-Glass,  
3 Sides w/ Door, Full  
(Fits to any Donkey Style)

Model # DONKEY-TPG-X, Tinted Plexi Glass, Full; surrounds three (3) sides of DONKEY units; two (2) side panels with scorer's table side panels and one (1) back panel; offers a more permanent weather screen for personnel inside; all tinted plexi glass sections are framed with custom aluminum extrusion and bolt in place to frame; includes hinged lockable door on ladder entrance side



**Aluminum Athletic Equipment**  
1000 Enterprise Drive, Royersford, PA 19468  
Toll Free: (800) 523-5471 Fax: (610) 825-2378  
[www.aaesports.com](http://www.aaesports.com)

DESCRIPTION: **DONKEY-TPG-X - Specifications**

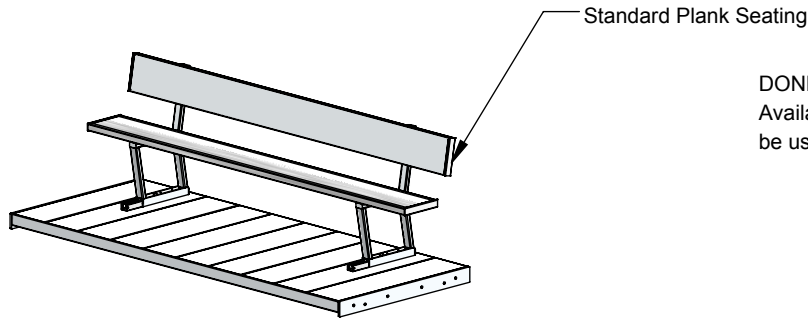
NOTE: Tinted Plexi-Glass Full Enclosed

MODEL: DONKEY-TPG-X	CATEGORY: <b>CUSTOMER</b>	DATE: 11/30/2017
---------------------	---------------------------	------------------

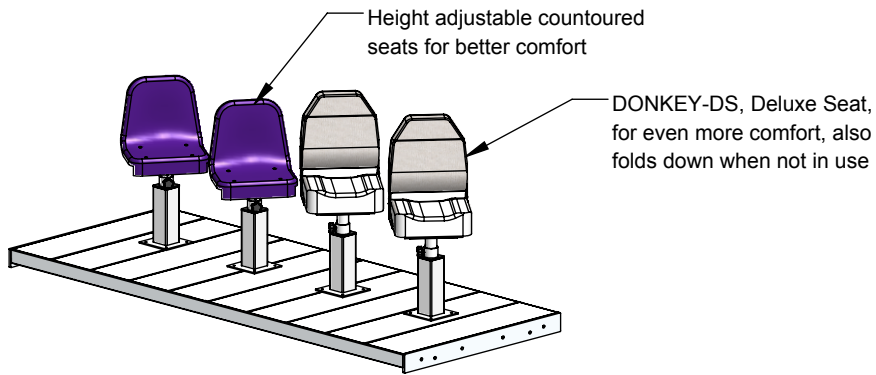
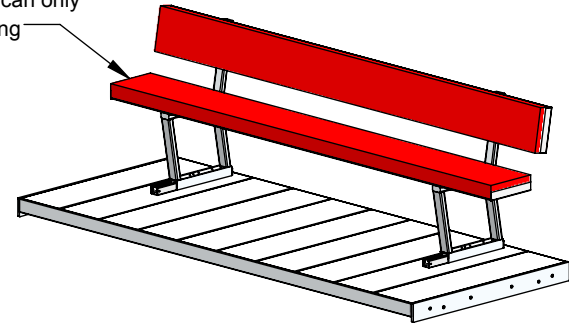
DWN. BY: CED	CAD FILE: Donkey-Enclosed-Full	DWG. NO. DONKEY-TPG-X-C-001
--------------	--------------------------------	-----------------------------



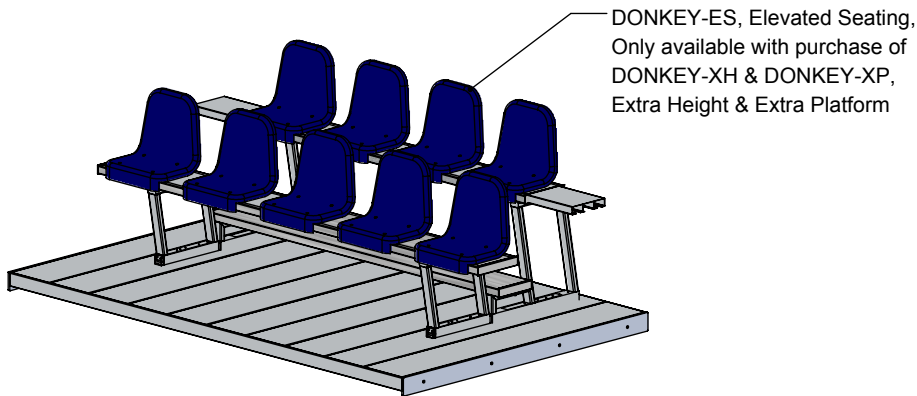
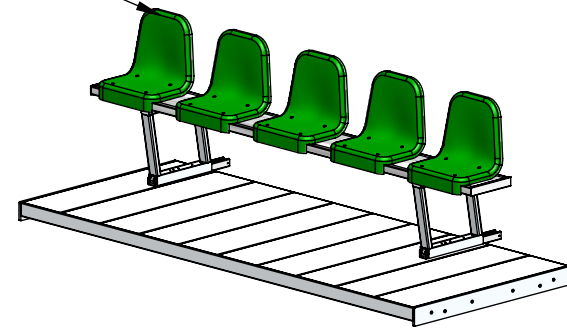
# DONKEY - Seating Options



DONKEY-BC & DONKEY-SC  
Available for all models, can only  
be used with plank seating



Contoured Seating for  
more comfort



Seating options are available for all Donkey models,  
extra costs may apply; Both contoured seats and seat  
cushions are available in Customer's Choice of Color



**Aluminum Athletic Equipment**  
1000 Enterprise Drive, Royersford, PA 19468  
Toll Free: (800) 523-5471 Fax: (610) 825-2378  
[www.aaesports.com](http://www.aaesports.com)

DESCRIPTION:

**DONKEY-3 - Seating**

NOTE:

Seating Options

MODEL:

Model ID

CATEGORY:

**CUSTOMER**

DATE:

12/05/2017

DWN. BY:

CED

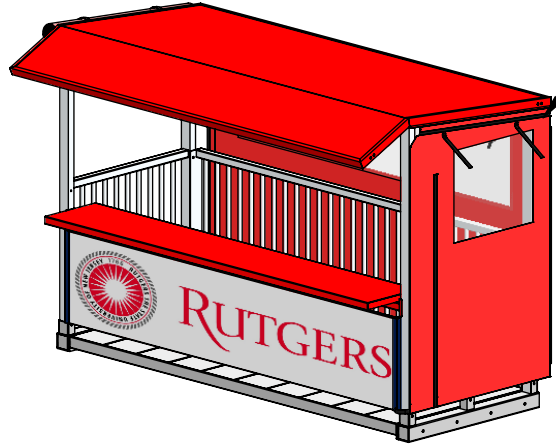
CAD FILE:

File Name

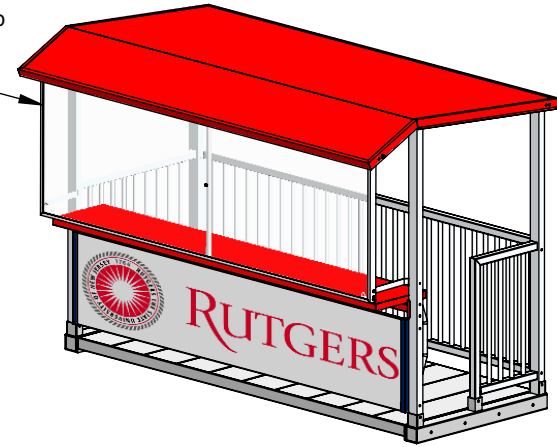
DWG. NO.

Model-C-000

# DONKEY - Enclosure Options

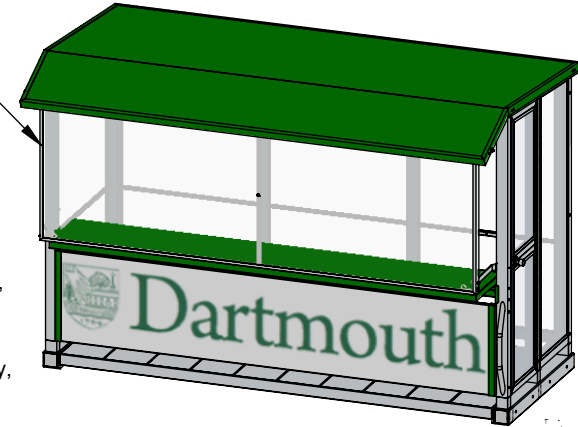


DONKEY-WS, Weather Screens, can be rolled up or removed when not in use; comes in Customer's Choice of Color



DONKEY-PFP, Plexi-Glass Front Panel, Hinged front panel perfect for keeping out the weather, capable of being put up when not in use

DONKEY-TPG, Tinted Plexi-Glass, includes 3 sides with a door, DONKEY-PFP sold separately



DONKEY-TPG-X, Tinted Plexi-Glass Full, Includes 3 sides that extend to the platform base, a door and side scorer's table windows for a fully enclosed Donkey, Donkey-PFP sold separately

Enclosure options available for all Donkey Models, additional costs may apply when purchasing certain additional options



**Aluminum Athletic Equipment**  
1000 Enterprise Drive, Royersford, PA 19468  
Toll Free: (800) 523-5471 Fax: (610) 825-2378  
www.aaesports.com

DESCRIPTION:			<b>DONKEY-3-Enclosure</b>
NOTE:			Enclosure Options
MODEL:	Model ID	CATEGORY:	<b>CUSTOMER</b>
		DATE:	12/05/2017
DWN. BY:	CAD FILE:	DWG. NO.:	Model-C-000
CED	File Name		