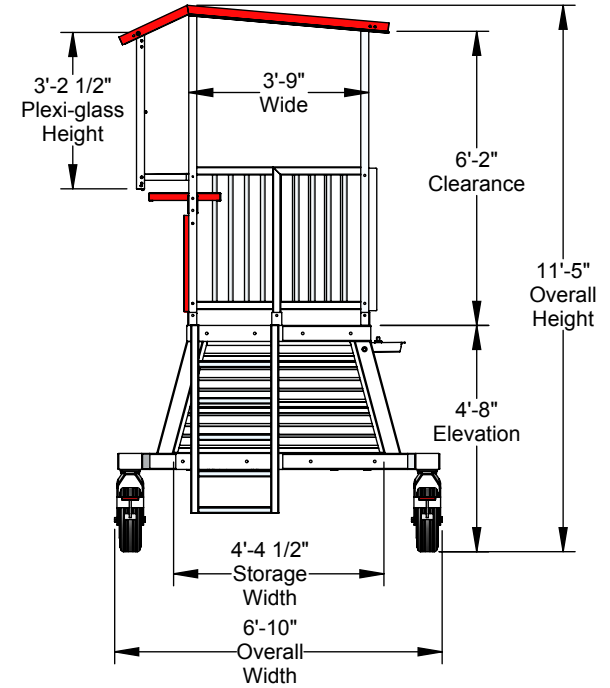
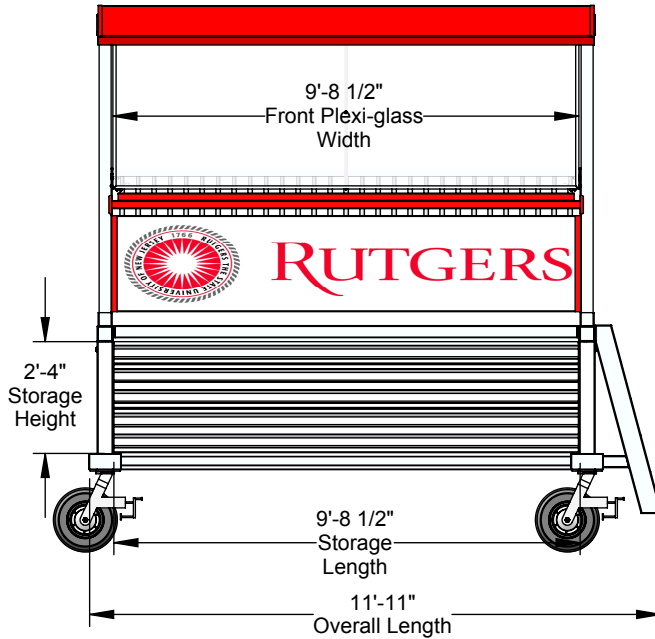


DONKEY-2-PFP - Specifications

Plexi-glass Front Panel



*Optional:
Model No. DONKEY-PFP
Plexi-Glass Front Panel
1/4" Thick Polycarbonate

All-aluminum
Storage Compartment
with reinforced extrusions

Capable of being
folded up



Model # DONKEY-PFP, Weather Front Panel; one (1) clear plexi-glass front panel; framed in custom aluminum extrusion with rubber gasket attaches to top canopy bolts; panel hinges up to canopy top when not in use; removable panel



Aluminum Athletic Equipment
1000 Enterprise Drive, Royersford, PA 19468
Toll Free: (800) 523-5471 Fax: (610) 825-2378
www.AAEsports.com

DESCRIPTION: **DONKEY-2-PFP - Specifications**

NOTE: Plexi-glass Front Panel

MODEL: DONKEY-2-PFP	CATEGORY: CUSTOMER	DATE: 11/17/2017
---------------------	---------------------------	------------------

DWN. BY: CED	CAD FILE: DONKEY-2-PFP	DWG. NO. DONKEY-2-PFP-C-001
--------------	------------------------	-----------------------------