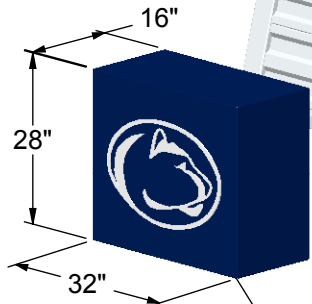


# DONKEY-WPP Optional Accessory Specifications



4" Pad thickness all-around

Nylon Straps on bottom rear of pads w/ plastic buckles

DONKEY-WPP Wheel Protector Pads

**COLOR CHART:**



**IMPORTANT NOTES:**

- Sold as a set of two (2)
- Overall Size 28"H x 32"W x 16"D
- 4" thick foam pad
- Completely sewn 18oz. vinyl encased foam units (color of choice)
- Nylon straps with plastic buckles
- Shipping weight = 28 lbs.
- Custom logos not included, cost additional \$\$



**Aluminum Athletic Equipment**  
1000 Enterprise Drive, Royersford, PA 19468  
Toll Free: (800) 523-5471 Fax: (610) 825-2378  
[www.AAEsports.com](http://www.AAEsports.com)

DESCRIPTION:		
<b>DONKEY-WPP - Specifications</b>		
NOTE:		
Wheel Protector Pads		
MODEL:	CATEGORY:	DATE:
DONKEY-WPP	CUSTOMER	4/28/09
DWN. BY:	CAD FILE:	DWG. NO.:
TAD	DONKEY-WPP Specifications	DONKEY-WPP-C-001