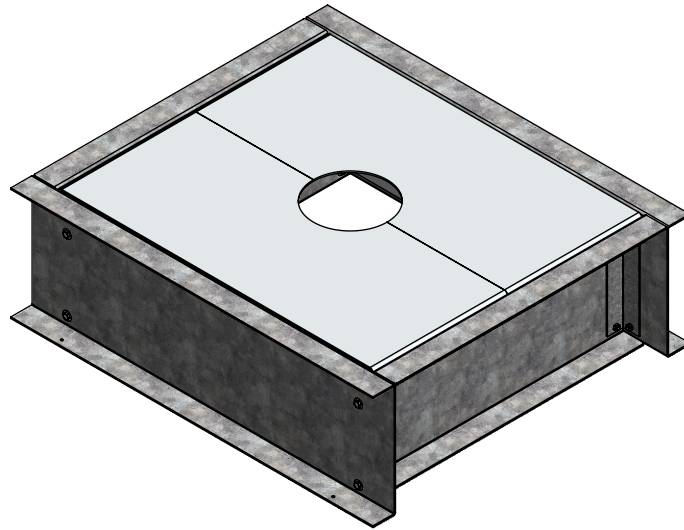
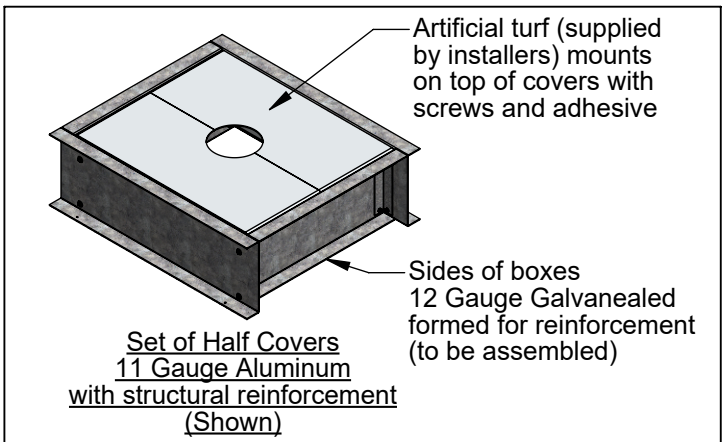
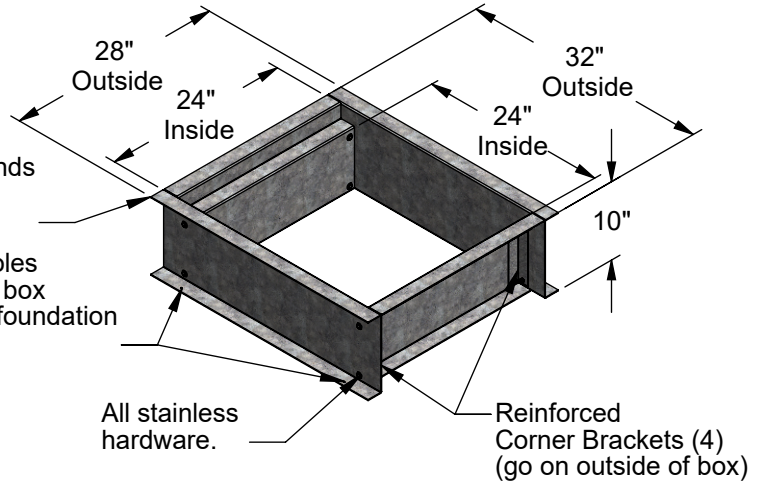
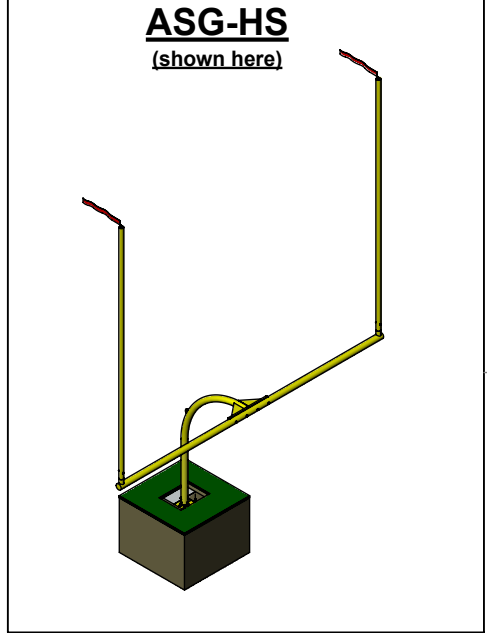
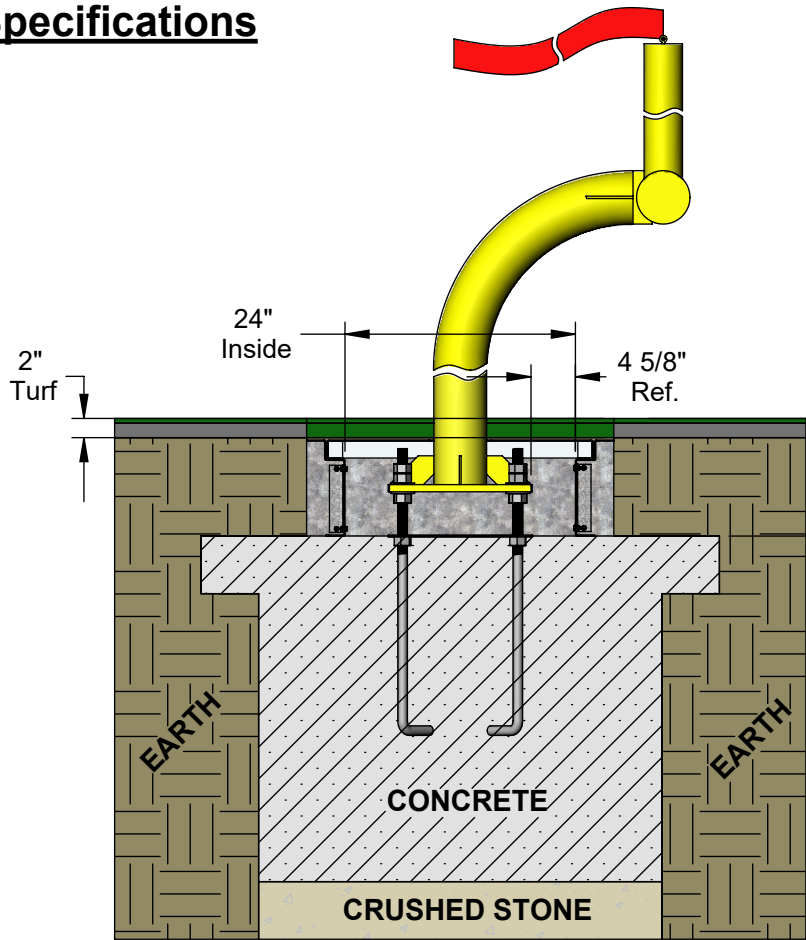


AAE Model No.: FBC-GA/ASG
Foundation Box



Aluminum Athletic Equipment
1000 Enterprise Drive, Royersford, PA 19468
Toll Free: (800) 523-5471 Fax: (610) 825-2378
www.AAEsports.com

FBC-GA/ASG - Galvanealed & Aluminum Box Specifications

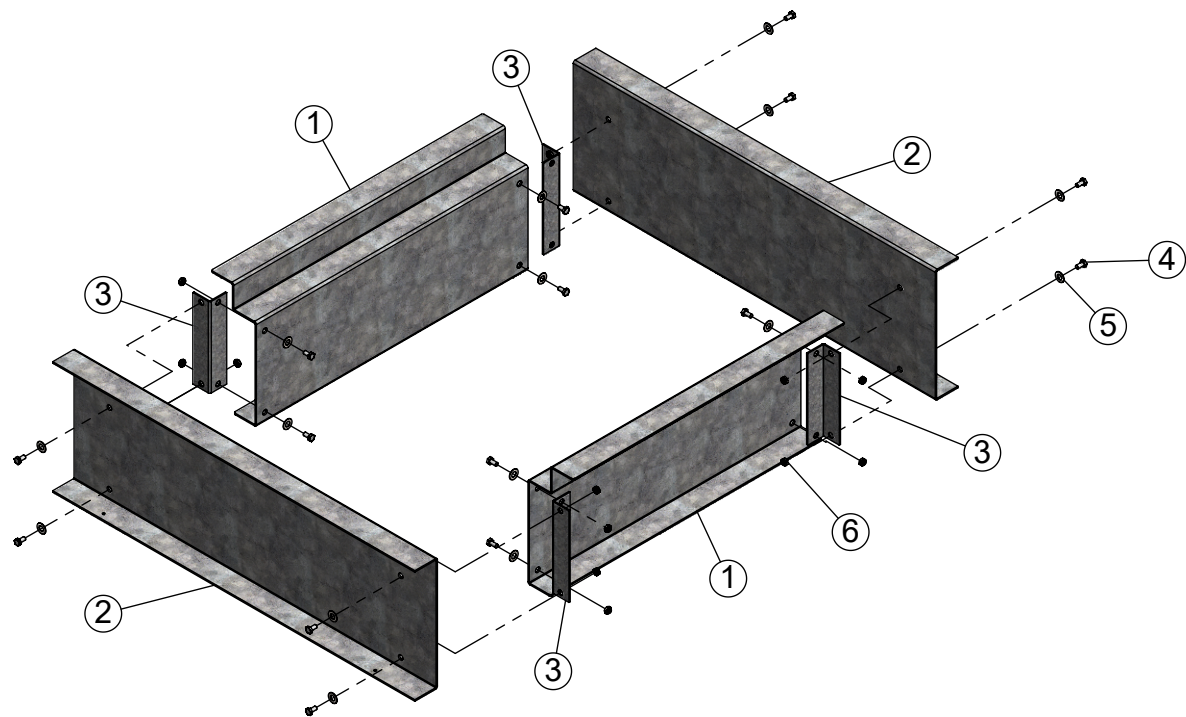


**Note: Model No. 70072
Set of Full Covers
11 Gauge Aluminum for
When Removing Goal
(Sold Separately)**

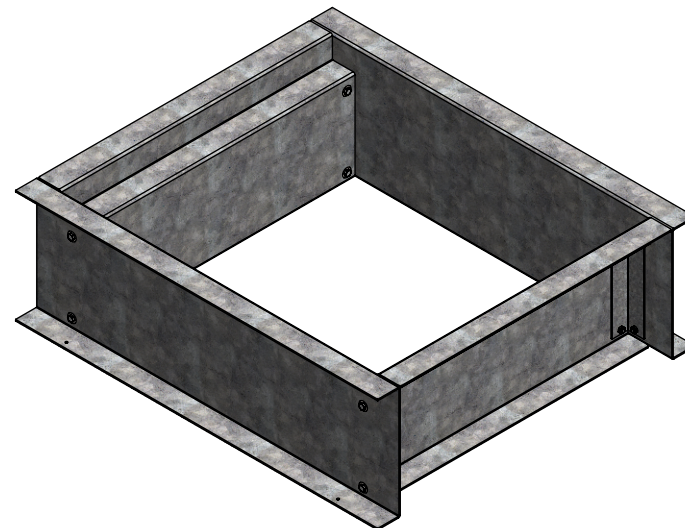
AAE
Aluminum Athletic Equipment
1000 Enterprise Drive, Royersford, PA 19468
Toll Free: (800) 523-5471 Fax: (610) 825-2378
www.AAEsports.com

DESCRIPTION: FBC-GA/ASG - Foundation Box & Cover - Specifications		
NOTE: Galvanealed & Aluminum Foundation Box Components		
MODEL: FBC-GA/ASG	CATEGORY: CUSTOMER	DATE: 07/21/11
DWN. BY: TAD	CAD FILE: FBC-GA/ASG - Specifications	DWG. NO. FBC-GA/ASG-C-001

FBC-GA - Foundation Box Assembly




Unassembled Box (Callout)



Assembled Box

ITEM NO.	PART NUMBER	DESCRIPTION	QTY./Box	QTY./Set
1	65400(ASG)/65403(HSG)	FBC-GA Side "A" with Ledge	2	4
2	65401(ASG)/65404(HSG)	FBC-GA Side "B"	2	4
3	65402 (ASG & HSG)	FBC-GA Corner Brackets "C"	4	8
4	35122	3/8-18 x 1" Bolt, 18-8 Stainless Steel	16	32
5	35226	3/8 Flat Washer, 18-8 Stainless Steel	16	32
6	35254	3/8-18 Lock Nut, 18-8 Stainless Steel	16	32
7		Anti-seize Packet	1	2



Aluminum Athletic Equipment
 1000 Enterprise Drive, Royersford, PA 19468
 Toll Free: (800) 523-5471 Fax: (610) 825-2378
www.myAAEworld.com

DESCRIPTION: **FBC-GA - Foundation Box - Assembly**

NOTE: Callout Sheet for ASG & HSG Model Boxes

MODEL: FBC-GA	CATEGORY: CUSTOMER	DATE: 12/10/13
DWN. BY: TAD	CAD FILE: FBC-GA - Assembly	DWG. NO. FBC-GA-C-003