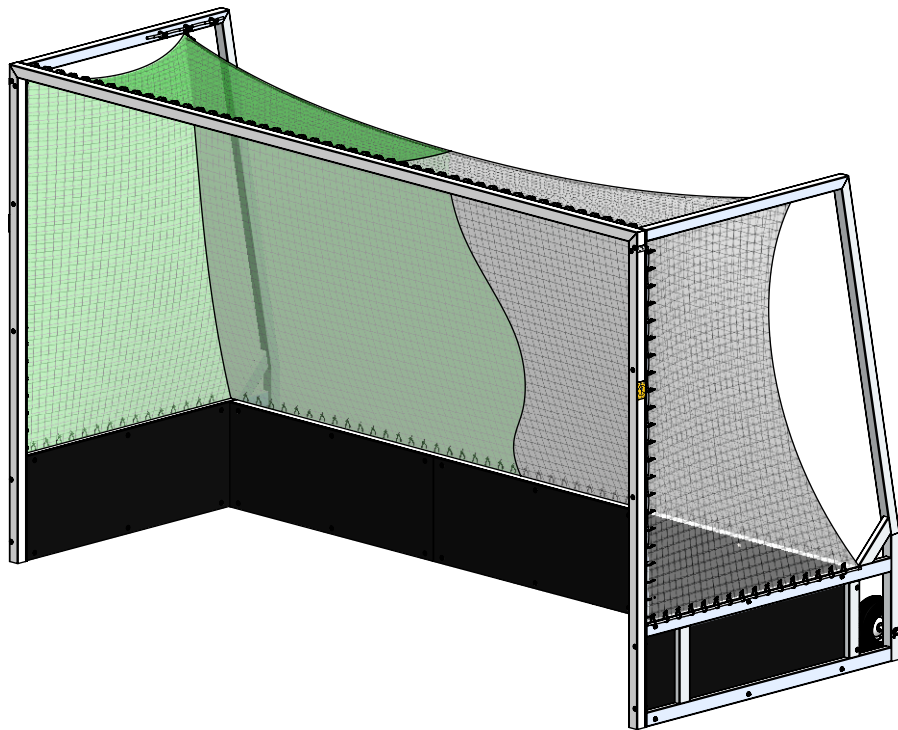


AAE Model No. FHG-FIH International Field Hockey Goal



Aluminum Athletic Equipment
1000 Enterprise Drive, Royersford, PA 19468
Toll Free: (800) 523-5471 Phone: (610) 825-6565
www.aesports.com

FHG-FIH

International Field Hockey Goal

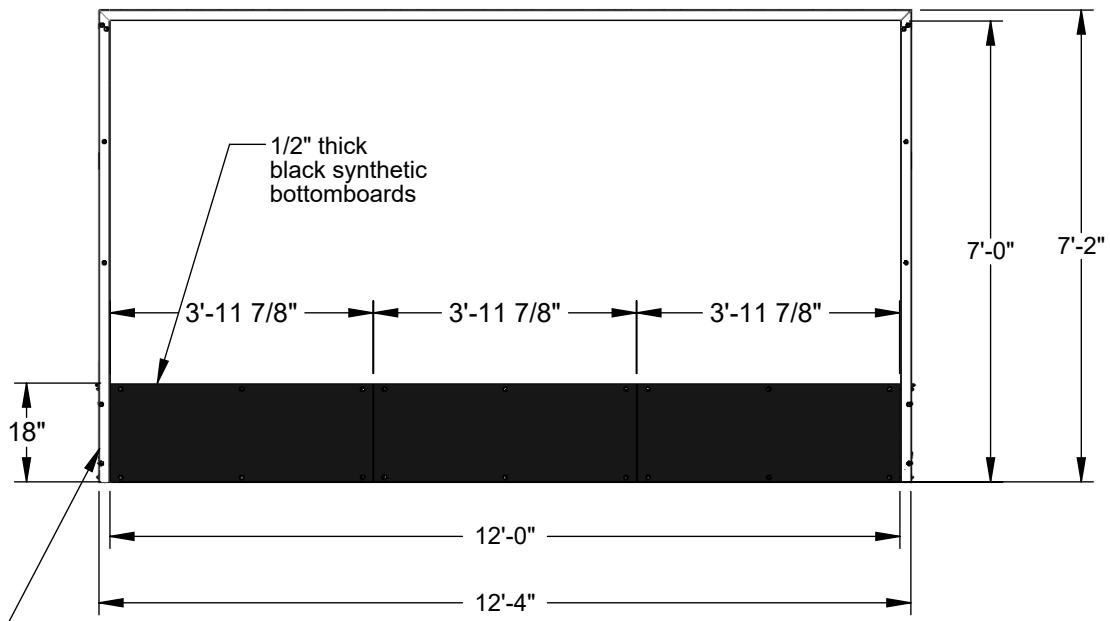
Specifications

D

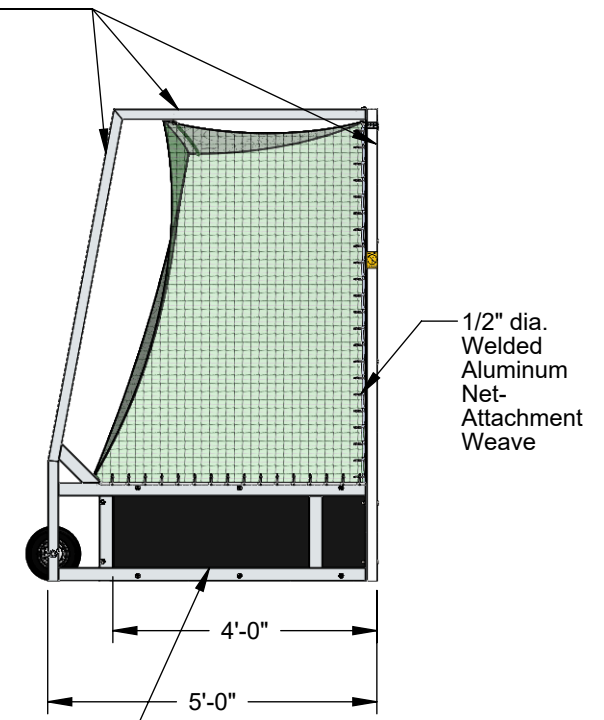
C

B

A

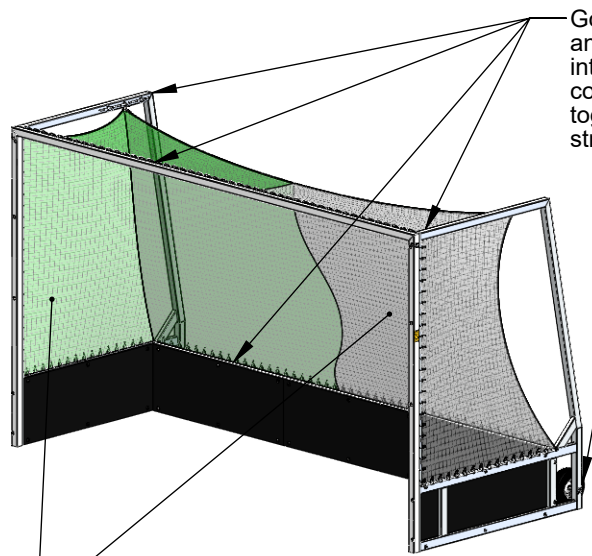


2" square aluminum extrusion



Goal mouth features a white powder-coat finish

Goal mouth, side frames and rear frame are welded into a one piece construction and bolted together for maximum strength and stability



Model No. FHN-FIH/G (Green)
2.5 mm poly, 1-1/2" square, twisted and woven net (Included)
or
Model No. FHN-FIH/B (Black)
2.5 mm poly, 1-1/2" square, twisted and woven net (purchased separately)

Model No. RW-FHG
12" diameter semi-pneumatic wheels with 3/4" diameter stainless steel axle and cotter pin, 4 per set (Included)



Aluminum Athletic Equipment
1000 Enterprise Drive, Royersford, PA 19468
Toll Free: (800) 523-5471 Fax: (610) 825-2378
www.aaesports.com

DESCRIPTION:		
FHG-FIH - International Field Hockey Goal		
NOTE: Specifications		
MODEL:	CATEGORY:	DATE:
FHG-FIH	CUSTOMER	1/9/2024
DWN. BY:	CAD FILE:	DWG. NO.:
NR	FHG-FIH Packet	FHG-FIH-C-001

6

5

4

3

2

1

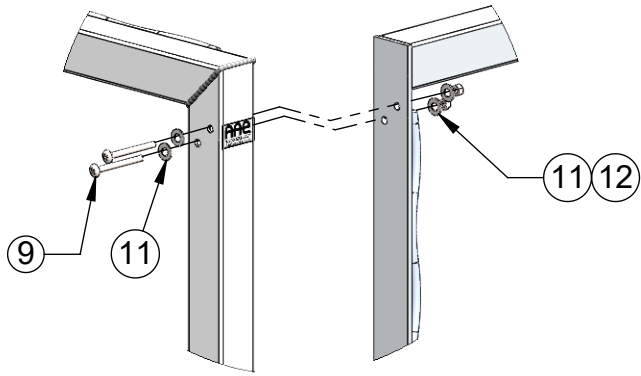
D

C

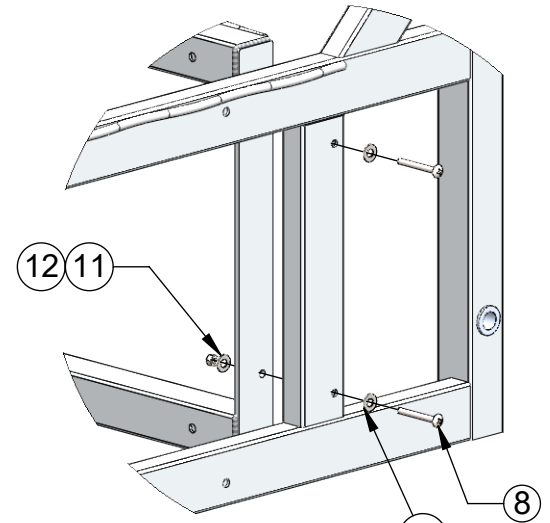
B

A

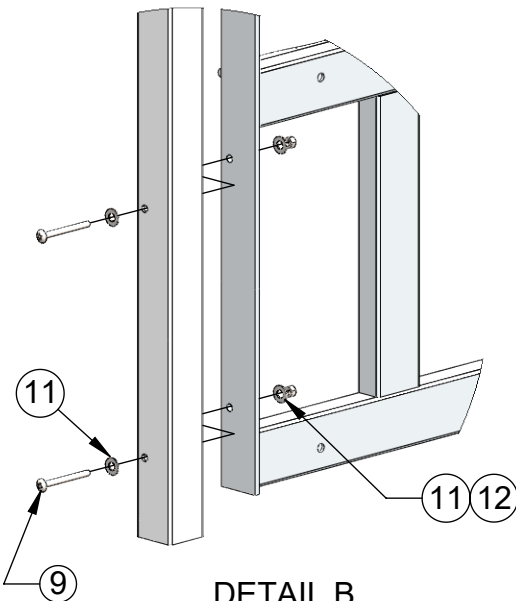
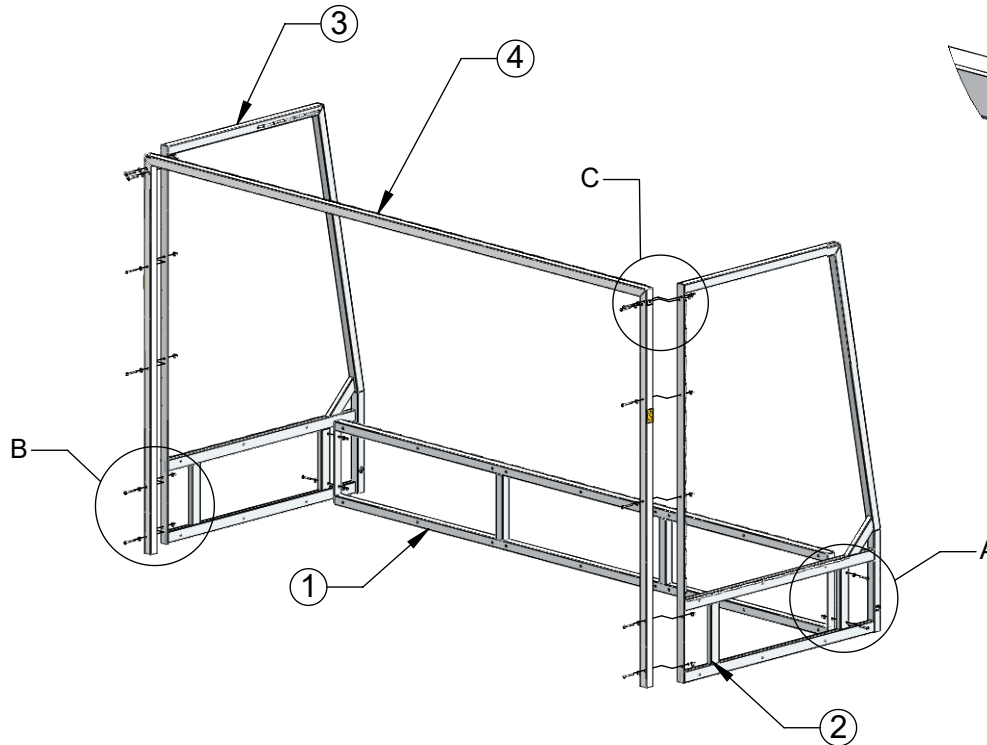
FHG-FIH International Field Hockey Goal Goal Assembly



DETAIL C
SCALE 1 : 8



DETAIL A
SCALE 1 : 8



DETAIL B
SCALE 1 : 8

Components in this Step

- 1) Back Panel
- 2) Right Panel
- 3) Left Panel
- 4) Front Panel

Hardware Used in this Step

- 8) 1/4"-20 x 2-1/4" Slot Truss Hd. M.S. = 4 Total
- 9) 1/4"-20 x 2-3/4" Slot Truss Hd. M.S. = 12 Total
- 11) 5/16" S.S. Flat Washer = 32 Total
- 12) 1/4"-20 S.S., Nylon Lock Nut = 16 Total



Aluminum Athletic Equipment
1000 Enterprise Drive, Royersford, PA 19468
Toll Free: (800) 523-5471 Fax: (610) 825-2378
www.aaesports.com

DESCRIPTION:		
FHG-FIH - Goal Assembly		
NOTE: International Field Hockey Goal		
MODEL: FHG-FIH	CATEGORY: CUSTOMER	DATE: 1/9/2024
DWN. BY: NR	CAD FILE: FHG-FIH Packet	DWG. NO. FHG-FIH-C-002

FHG-FIH

International Field Hockey Goal

Bottom Board Assembly

Components in this Step:

- 6) Back Bottom Boards
- 7) Side Bottom Boards

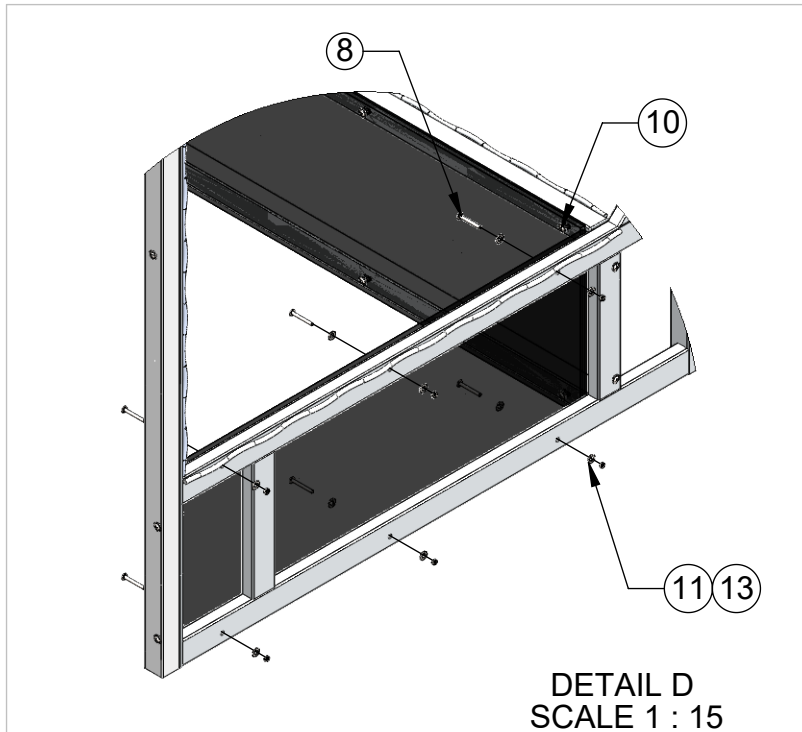
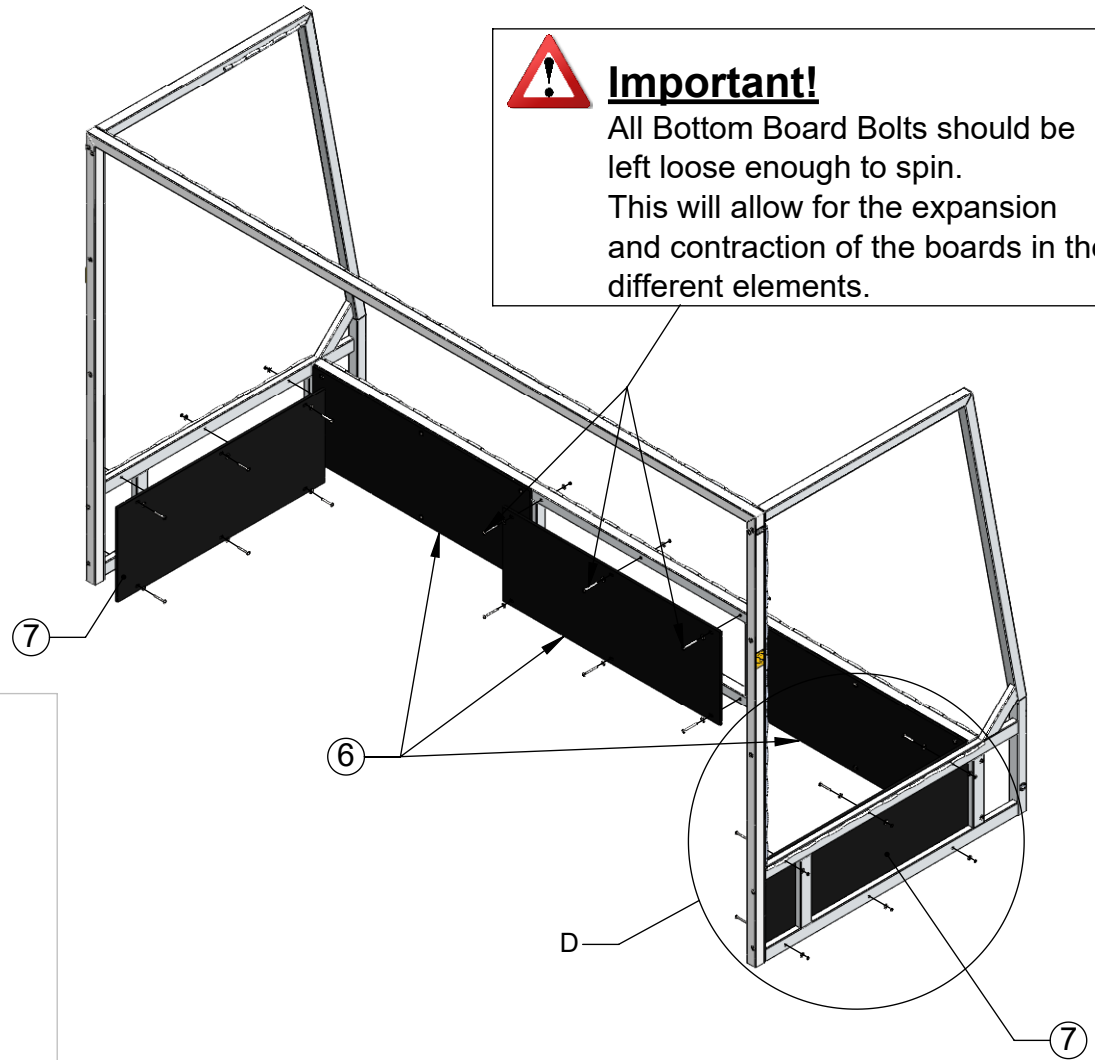
Hardware Used in this Step:

- 8) 1/4"-20 x 2-1/4" Slot Truss Hd. M.S. = 12 Total
(use on Side Bottom Boards)
- 10) 1/4"-20 x 3" Slot Truss Hd. M.S. = 18 Total
(use on Back Bottom Boards)
- 11) 5/16" S.S. Flat Washer = 60 Total
- 13) 1/4"-20 S.S., Thin Nylon Lock Nut = 30 Total



Important!

All Bottom Board Bolts should be left loose enough to spin. This will allow for the expansion and contraction of the boards in the different elements.



DETAIL D
SCALE 1 : 15



Aluminum Athletic Equipment
1000 Enterprise Drive, Royersford, PA 19468
Toll Free: (800) 523-5471 Fax: (610) 825-2378
www.aaesports.com

DESCRIPTION:		
FHG-FIH - Bottom Board Assembly		
NOTE: International Field Hockey Goal		
MODEL:	CATEGORY:	DATE:
FHG-FIH	CUSTOMER	1/9/2024
DWN. BY:	CAD FILE:	DWG. NO.:
NR	FHG-FIH Packet	FHG-FIH-C-003

FHG-FIH International Field Hockey Goal Net & Wheel Assembly

Components in this Step:

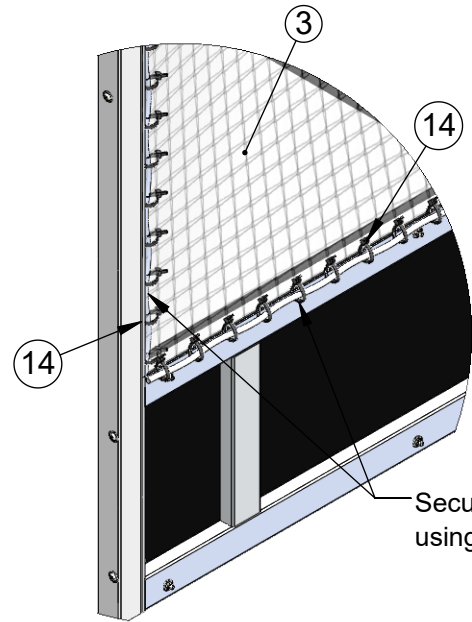
- 5) Model No. FHN-FIH Net (3mm Green Standard)
(available in other colors & thickness with additional cost)
- 15) 10" Pneumatic Wheel Assembly
- 16) Net Rope Assembly (Includes Rope & 2 Pear Clips)

Hardware Used in this Step:

- 14) 15" Cable Tie, 120lb., Black = 178 Total (approx)
(use to attach net to net weave)

Net Weave: Attach Net this location using 3 Cable ties each side. (6" spacing)

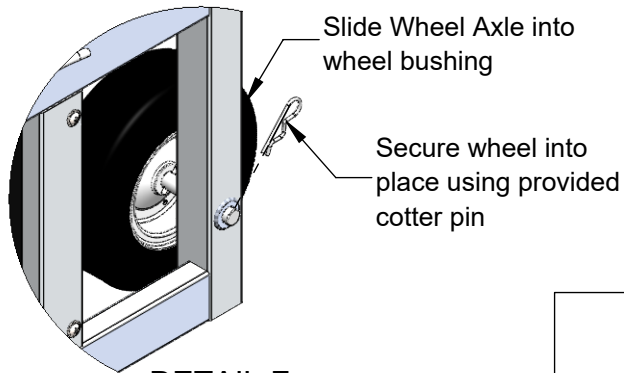
Net Rope: Used to reduce sag in back of net. Pear clip one end to the weave as shown and weave rope through netting to opposite end pear clip, pull through clip and tension to desired tautness before tying off.



DETAIL E

Net Weave: Attach Net this location using Approx 22 Cable ties each side. (3" spacing)


Net Weave: Attach Net this location using Approx 48 Cable ties each side. (3" spacing)



DETAIL F

FHG-FIH Netting Color Chart

3mm Standard							
5mm							



Aluminum Athletic Equipment
1000 Enterprise Drive, Royersford, PA 19468
Toll Free: (800) 523-5471 Fax: (610) 825-2378
www.aaesports.com

DESCRIPTION:			
FHG-FIH - Bottom Board Assembly			
NOTE: International Field Hockey Goal			
MODEL:	FHG-FIH	CATEGORY:	CUSTOMER
		DATE:	1/9/2024
DWN. BY:	NR	CAD FILE:	FHG-FIH Packet
DWG. NO.:			FHG-FIH-C-003