

# FHG Field Hockey Goal



**Aluminum Athletic Equipment**  
1000 Enterprise Drive, Royersford, PA 19468  
Toll Free: (800) 523-5471 Fax: (610) 825-2378  
[www.aesports.com](http://www.aesports.com)

# Field Hockey Goal Standard Features

D

C

B

A

Goal mouth is faced with Duponts' white "Tedlar" for maintenance free finish.

2" x 2" x .125" custom aluminum extrusion with integral net slot.

Goal mouth and rear frame are heli-arc welded into one piece construction

2.5 mm poly, 1-1/2" square, twisted and woven net

18" high synthetic black bottomboards offer high impact resistance - won't crack or splinter

4'-0"

4'-0"

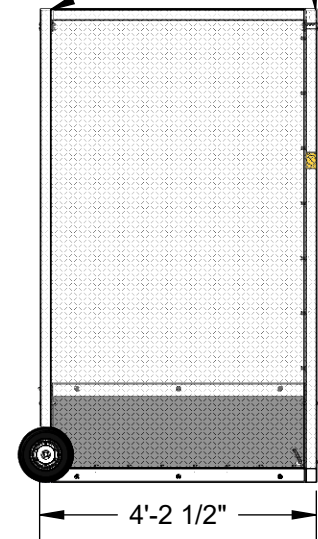
4'-0"

7'-0"

7'-2"

12'-0"

12'-4"



D

C

B

A

\* 10" pneumatic tires for easy maneuverability  
\* Stainless Steel axles for lifetime service

Clevis Pin

10" Semi-Pneumatic Tires



"One-piece" welded lower frames maximize rigidity

AAE Model No. MNC Heavy-Duty Molded Net Clips Included for quick and easy net attachment.

2" x 2" x 1/8" structural aluminum Rounded corners for safety.



**Aluminum Athletic Equipment**  
1000 Enterprise Drive, Royersford, PA 19468  
Toll Free: (800) 523-5471 Fax: (610) 825-2378  
www.aesports.com

DESCRIPTION			
<b>FHG - Standard Features</b>			
NOTE: Field Hockey Goal			
MODEL:	FGH	CATEGORY:	CUSTOMER
		DATE:	10/3/2023
DRAWN BY:	CAD FILE:	DWG. NO.	
NR	FGH - Packet	FHG-C-002	

6

5

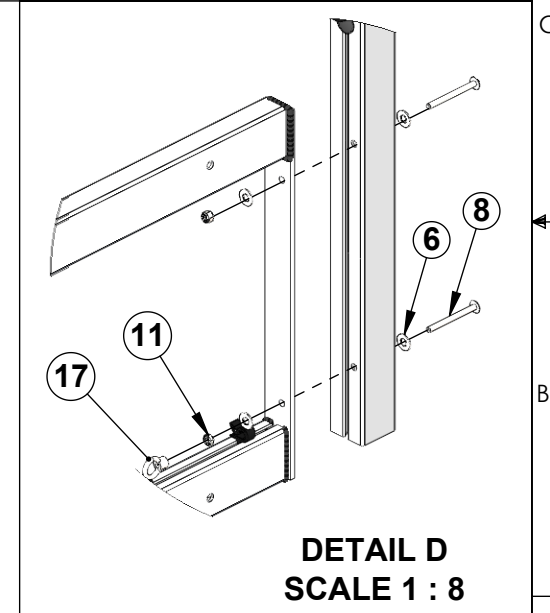
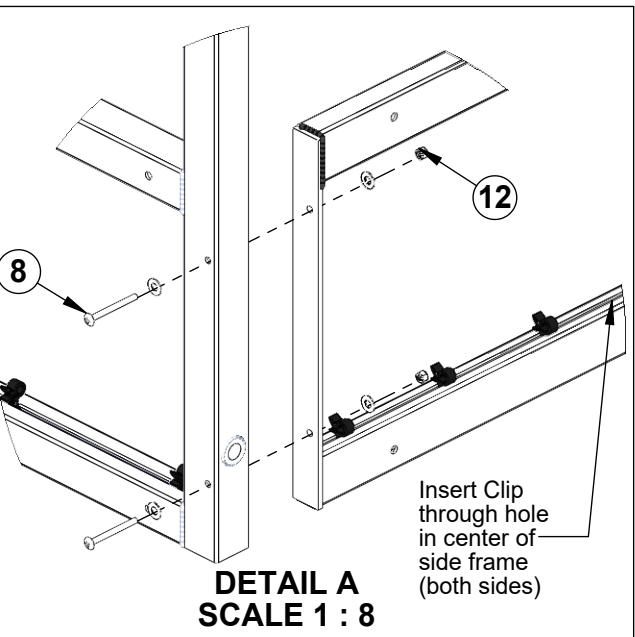
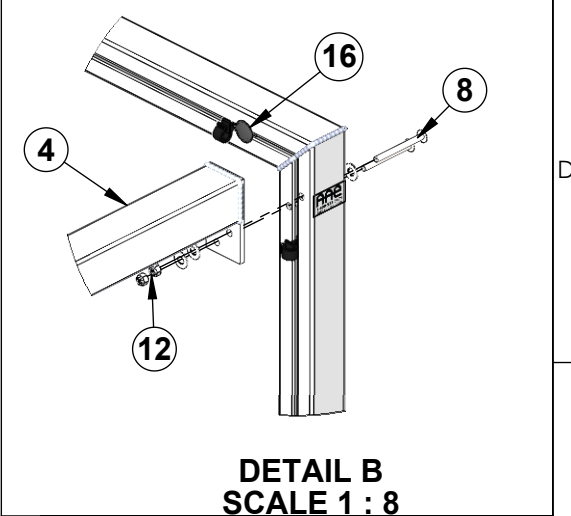
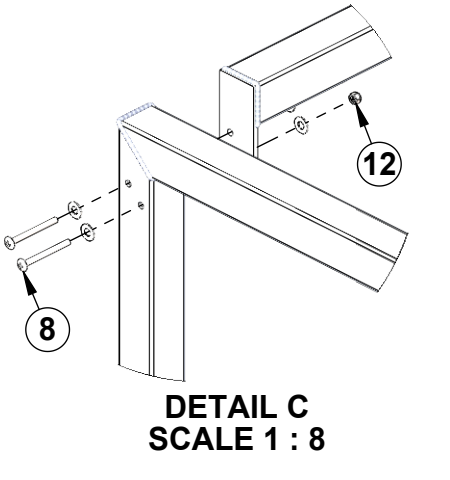
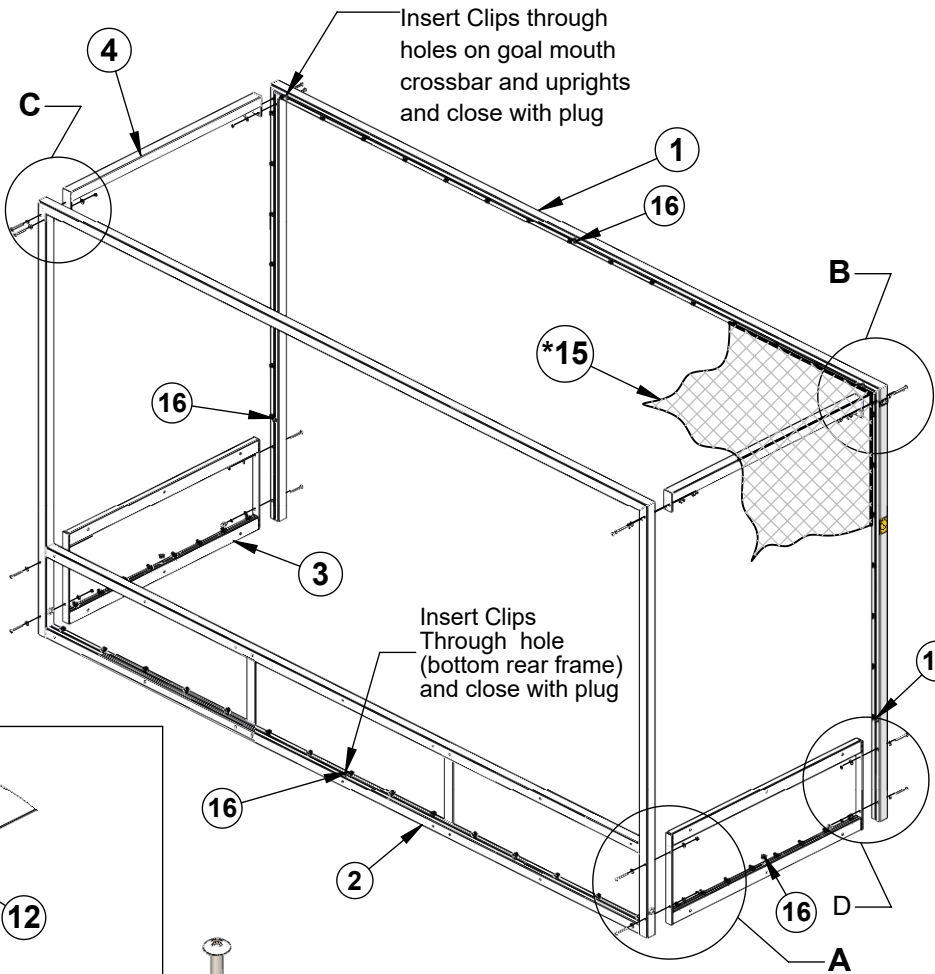
4

3






2

1

# Field Hockey Goal Cage Assembly



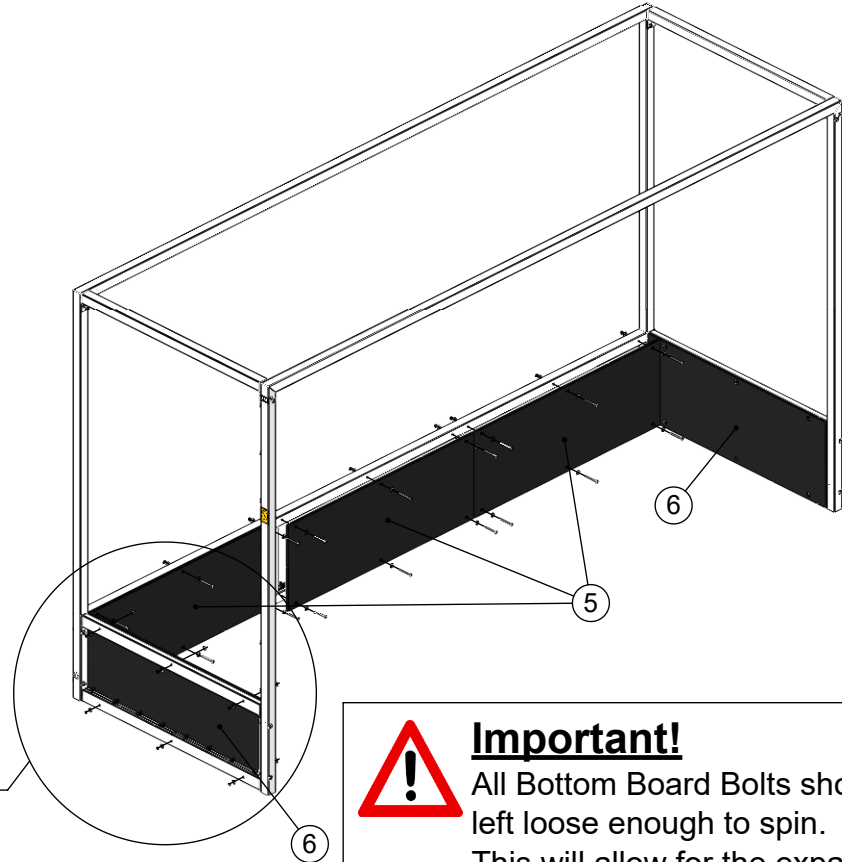
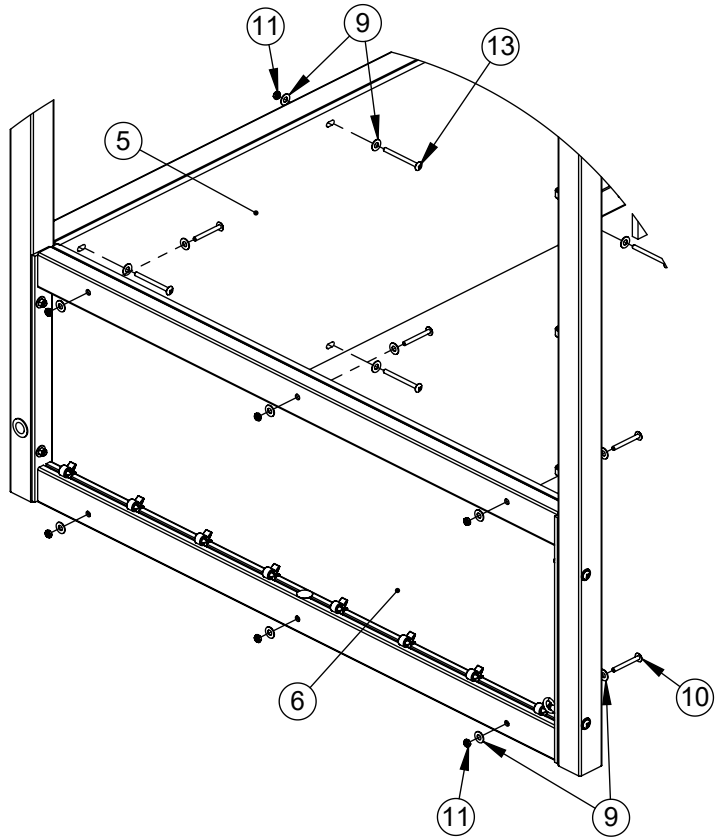
### Hardware Used in this Step:

-  (8) 1/4"-20 x 2-3/4", Truss Head Phillips M.S. = 16 Total
  -  (9) 5/16", Flat Washer = 32 Total
  -  (11) Nylon-Insert (Thin) Locknut, 1/4"-20 Thread = 2 Total
  -  (12) Nylon-Insert Locknut, 1/4"-20 Thread = 14 Total
  -  (17) Eye-Nut, 1/4"-20 Thread Stainless Steel = 2 Total
- (Note: Hardware count listed above is per goal)*

**AAE**  
Aluminum Athletic Equipment  
1000 Enterprise Drive, Royersford, PA 19468  
Toll Free: (800) 523-5471 Fax: (610) 825-2378  
www.aaesports.com

DESCRIPTION			<b>FHG - Cage Assembly</b>		
NOTE:			Field Hockey Goal		
MODEL:	FHG	CATEGORY:	CUSTOMER	DATE:	10/3/2023
DRAWN BY:	NR	CAD FILE:	FHG - Cage Assembly	DWG. NO.:	FHG-C-003

# Field Hockey Goal Bottom Board Assembly



See  
Detail

### Hardware Used in this Step:



(10) 1/4"-20 x 2-1/4", Truss Head Phillips M.S. = 12 Total

(13) 1/4"-20 x 3", Truss Head Phillips M.S. = 18 Total

(9) 5/16", Flat Washer = 60 Total

(11) Nylon-Insert (Thin ) Locknut, 1/4"-20 Thread = 30 Total

*(Note: Hardware count listed above is per goal)*



### Important!

All Bottom Board Bolts should be left loose enough to spin. This will allow for the expansion and contraction of the boards in the different elements.

## AAE

**Aluminum Athletic Equipment**  
1000 Enterprise Drive, Royersford, PA 19468  
Toll Free: (800) 523-5471 Fax: (610) 825-2378  
[www.aaesports.com](http://www.aaesports.com)

DESCRIPTION

**FHG - Bottom Board Assembly**

NOTE:

Field Hockey Goal

MODEL:

FHG

CATEGORY:

**CUSTOMER**

DATE:

10/3/2023

DRAWN BY:

NR

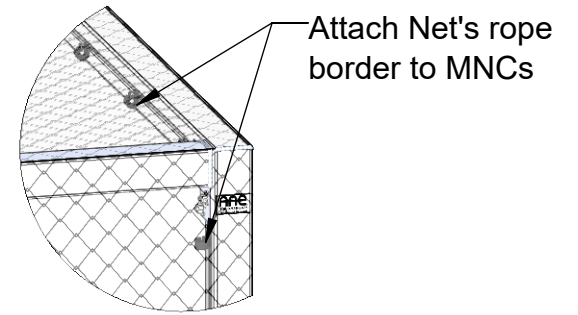
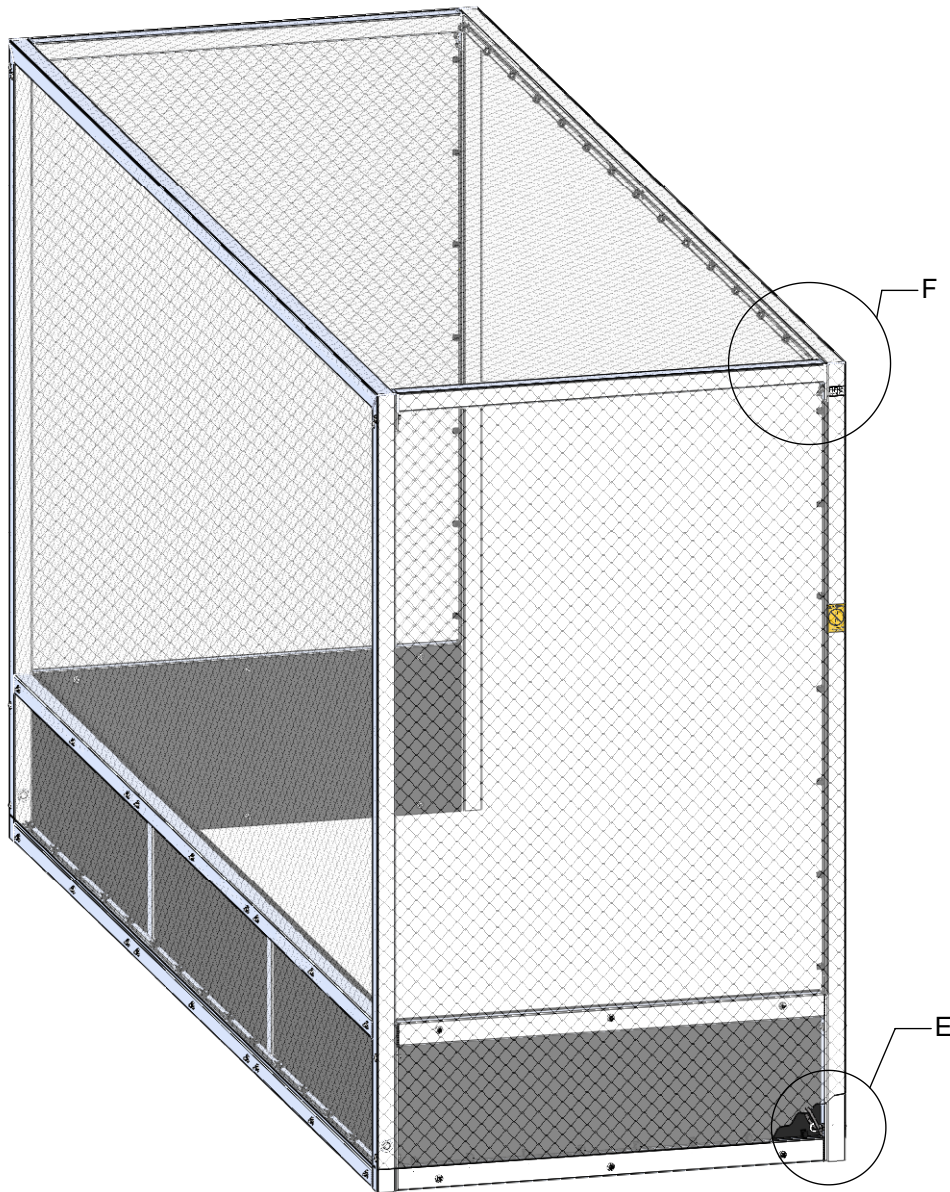
CAD FILE:

FHG - Bottom Board Assembly

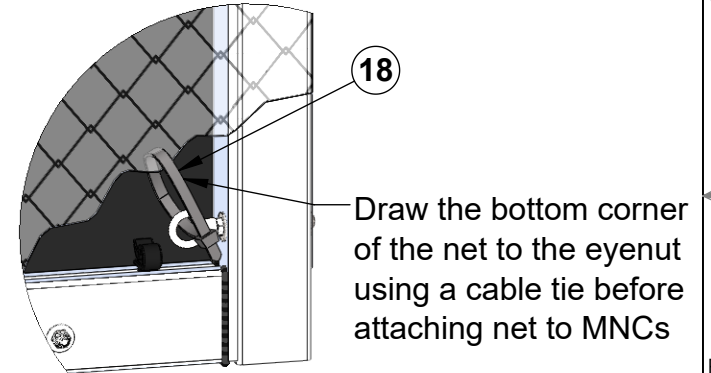
DWG. NO.

FHG-C-004

# Field Hockey Goal Net Attachment



**DETAIL F**  
**SCALE 1 : 10**



**DETAIL E**  
**SCALE 1 : 5**



**Aluminum Athletic Equipment**  
1000 Enterprise Drive, Royersford, PA 19468  
Toll Free: (800) 523-5471 Fax: (610) 825-2378  
www.aaesports.com

DESCRIPTION:			<b>FHG - Net Attachment</b>		
NOTE:			Field Hockey Goal		
MODEL:	FHG	CATEGORY:	<b>CUSTOMER</b>	DATE:	10/20/2022
DWN. BY:	CED	CAD FILE:	FHG Specification Packet	DWG. NO.:	FHG-C-005

## FHG-Field Hockey Goal Parts List

ITEM NO.	ITEM	DESCRIPTION	QTY.*
1	Goal Face	2" x 2" x 1/8" welded "U" frame, 7'-2" x 12'-4"	1
2	Rear Frame	2" x 2" x 1/8" welded frame box frame, 7'2" x 12'-4"	1
3	Lower Brace	1-1/4" x 2" x 1/8" welded aluminum frame, 18" x 46-7/16"	2
4	Upper Brace	2" x 2" x 1/8" x 45-15/16" aluminum tube w/ offset flanges on each end	2
5	Back Bottom Board	1/2" Synthetic Board (Black), 18" x 48"	3
6	Side Bottom Board	1/2" Synthetic Board (Black), 18" x 46"	2
7	MNC	Molded Net Clip	
8	Bolt (2-3/4"L)	1/4"-20 x 2-3/4", Truss Head Phillips M.S.	16
9	Washer	5/16", Flat Washer, .343" I.D. x 3/4" O.D.	92
10	Bolt (2-1/4"L)	1/4"-20 x 2-1/4", Truss Head Phillips M.S.	12
11	Lock Nut (Thin)	Thin Nylon-Insert Locknut, 1/4"-20 Thread Size, 18-8 SS	32
12	Lock Nut	Nylon-Insert Locknut, 1/4"-20 Thread Size, 18-8 SS	14
13	Bolt (3"L)	1/4"-20 x 3", Truss Head Phillips M.S.	18
14	Wheel	10" Semi-Pneumatic Wheel Assembly	2
15	Net	7' x 12' Black Nylon Net	1
16	Plug	1" Round Plug, 14-20 GA, Tube, Black	8
17	Eye-Nut	1/4"-20 Eye-Nut, Stainless Steel	2
18	Cable Tie	Cable Tie, 7"L, Black	2

**\* Quantities indicated are per Goal.**

FOR TECHNICAL ASSISTANCE, CALL 1-800-523-5471



**Aluminum Athletic Equipment**  
1000 Enterprise Drive, Royersford, PA 19468  
Toll Free: (800) 523-5471 Fax: (610) 825-2378  
www.aaesports.com