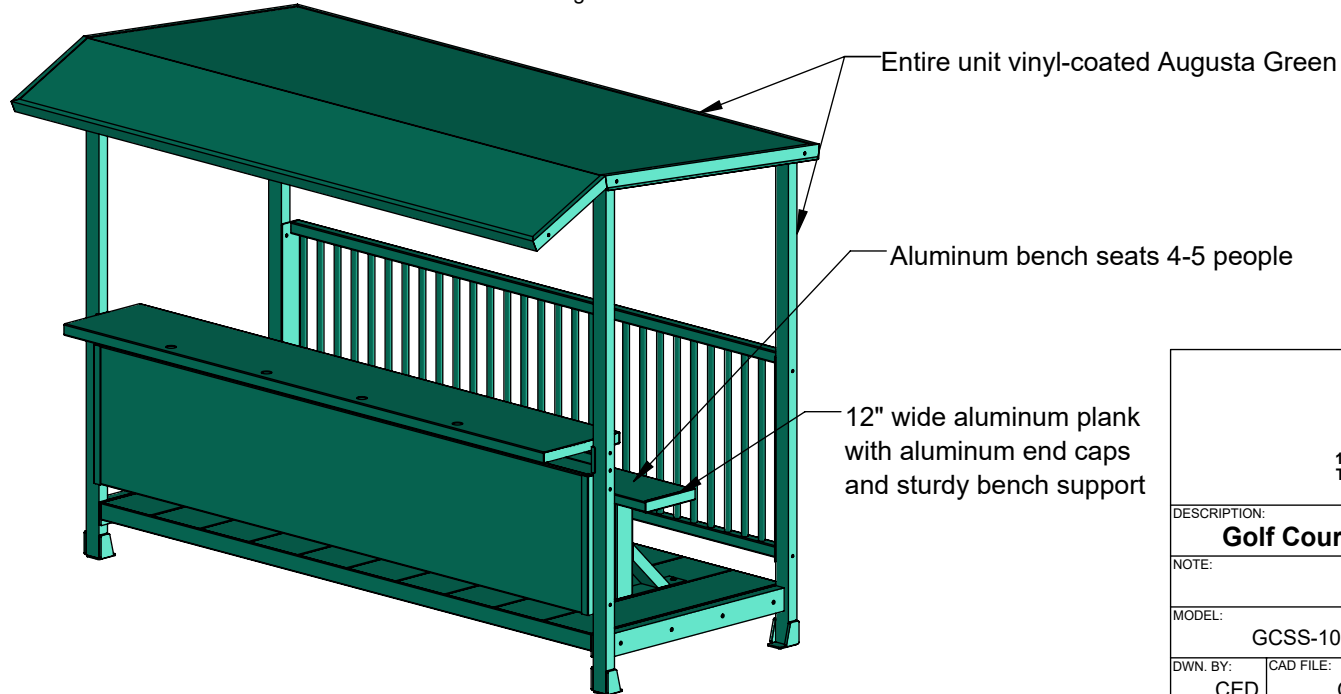
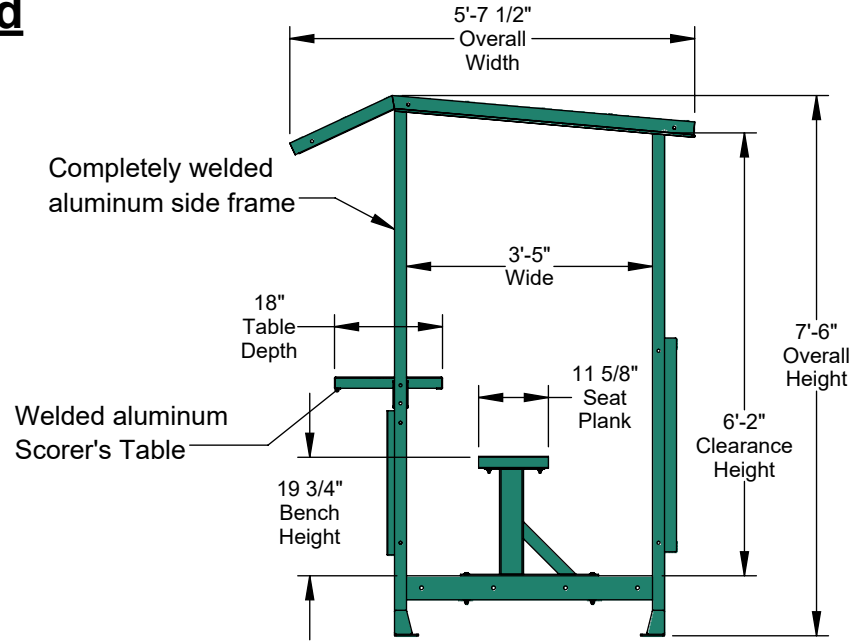
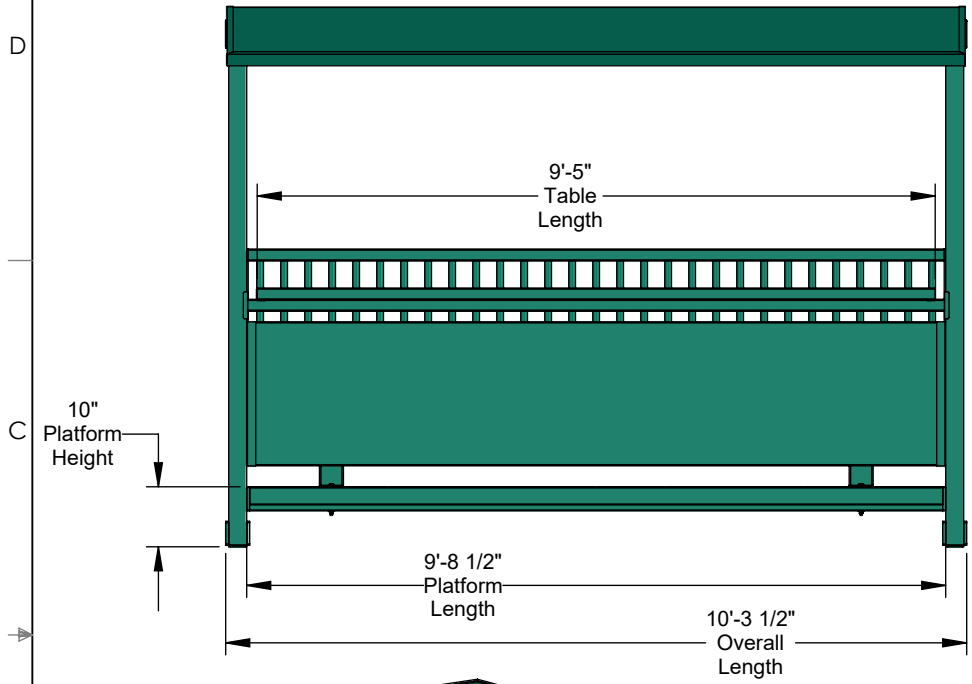


GCSS-10 - 10'-0" Golf Course Starter's Stand

Specifications





Aluminum Athletic Equipment
 1000 Enterprise Drive, Royersford, PA 19468
 Toll Free: (800) 523-5471 Fax: (610) 825-2378
www.AAEsports.com

DESCRIPTION:		
Golf Course Starter's Stand - Specifications		
NOTE: Nominal 10'-0" Length		
MODEL:	CATEGORY:	DATE:
GCSS-10	CUSTOMER	10/21/2021
DWN. BY:	CAD FILE:	DWG. NO.:
CED	GCSS-10 - Specifications	GCSS-10-C-001