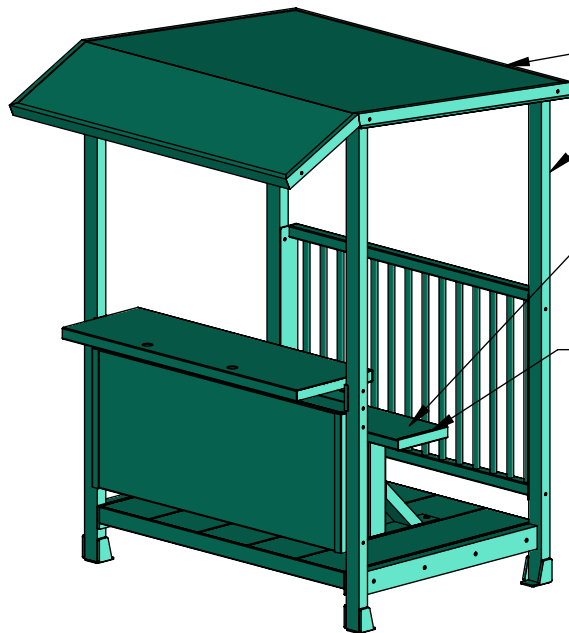
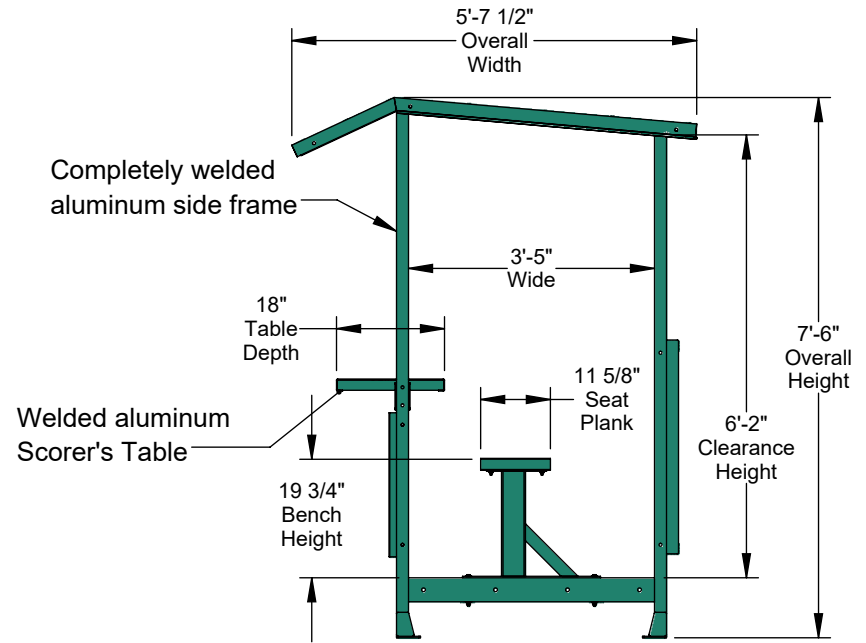
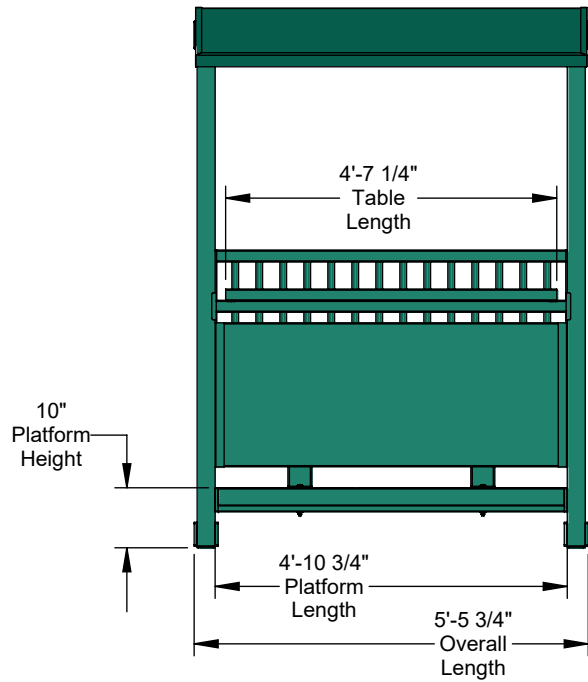


# GCSS-5 - 5'-0" Golf Course Starter's Stand

## Specifications



Entire unit vinyl-coated Augusta Green

Aluminum bench seats 2-3 people

12" wide aluminum plank with aluminum end caps and sturdy bench support



**Aluminum Athletic Equipment**  
 1000 Enterprise Drive, Royersford, PA 19468  
 Toll Free: (800) 523-5471 Fax: (610) 825-2378  
[www.AAEsports.com](http://www.AAEsports.com)

DESCRIPTION:  
**Golf Course Starter's Stand - Specifications**

NOTE:  
 Nominal 5'-0" Length

MODEL: GCSS-5	CATEGORY: <b>CUSTOMER</b>	DATE: 10/21/2021
------------------	------------------------------	---------------------

DWN. BY: CED	CAD FILE: GCSS-5 - Specifications	DWG. NO. GCSS-5-C-001
-----------------	--------------------------------------	--------------------------