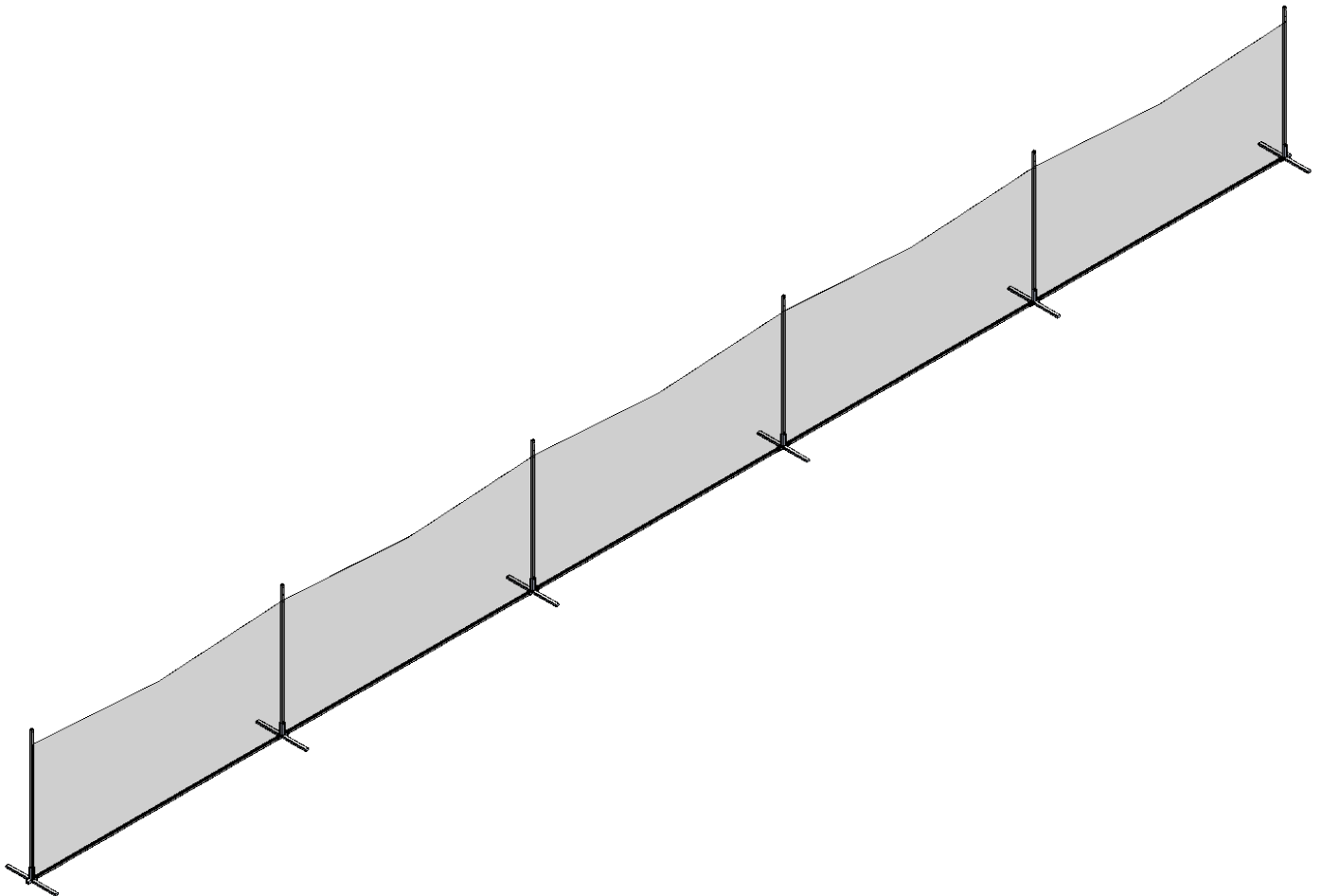
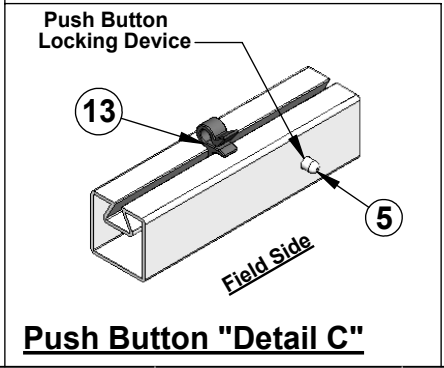
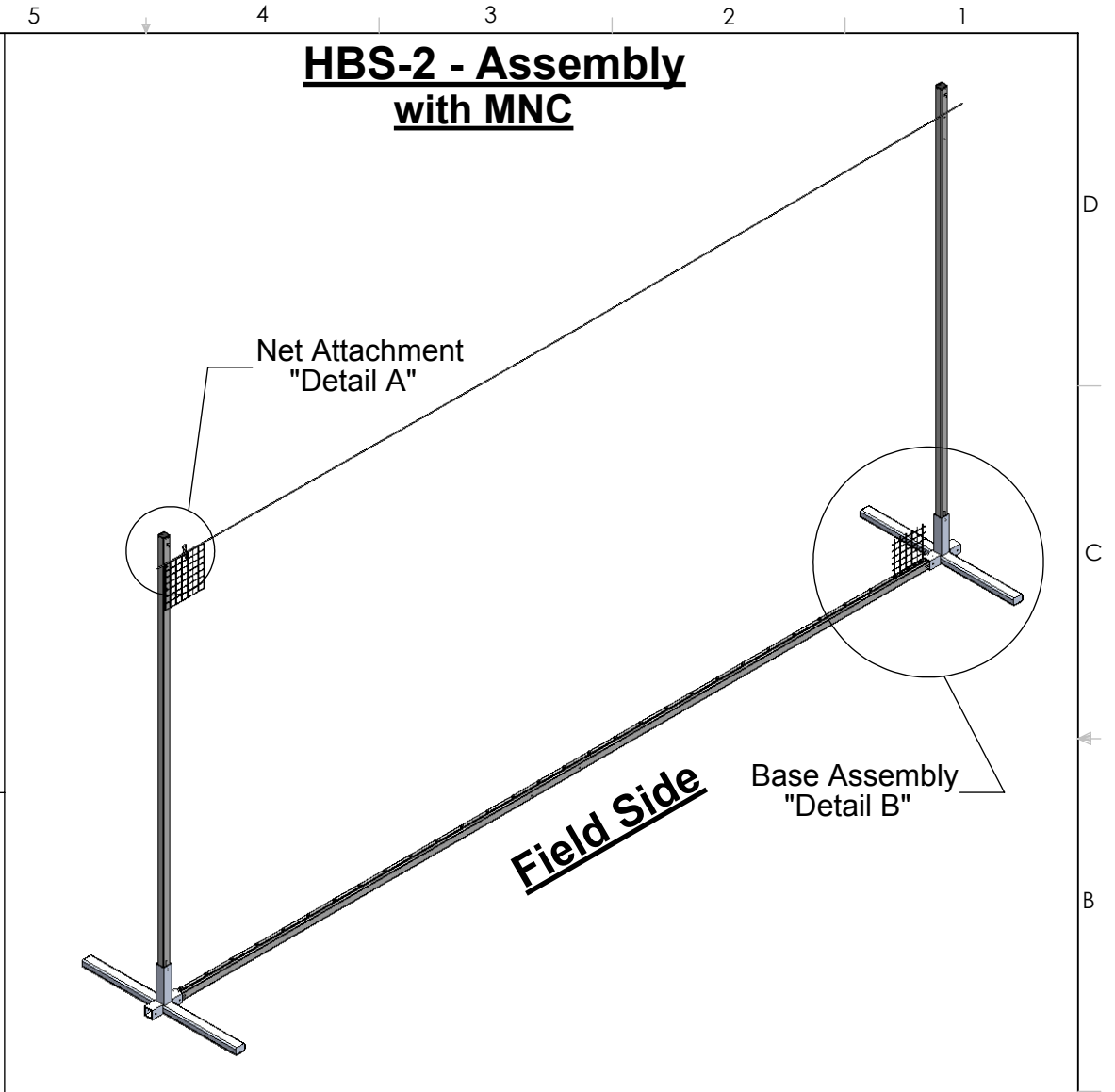
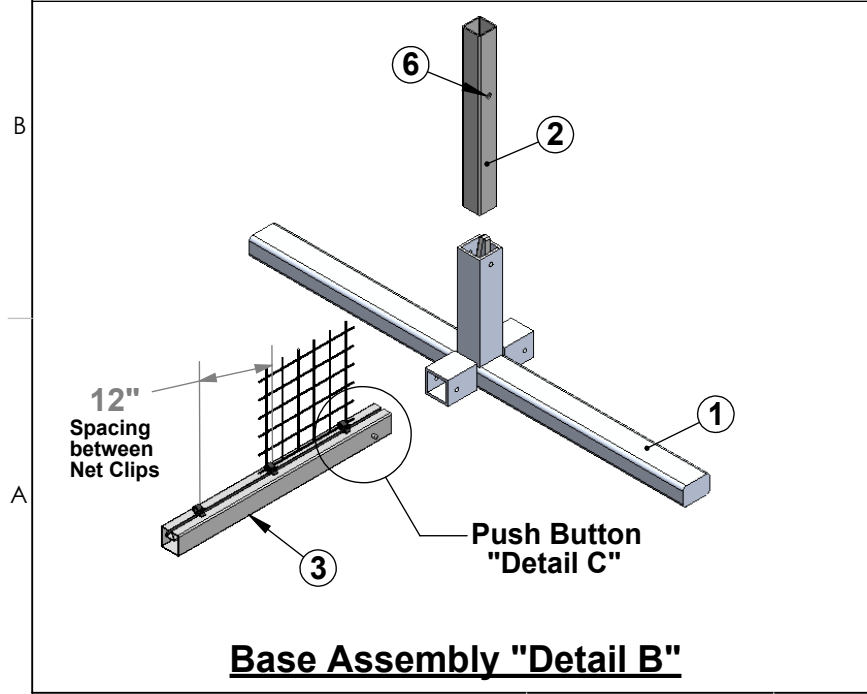
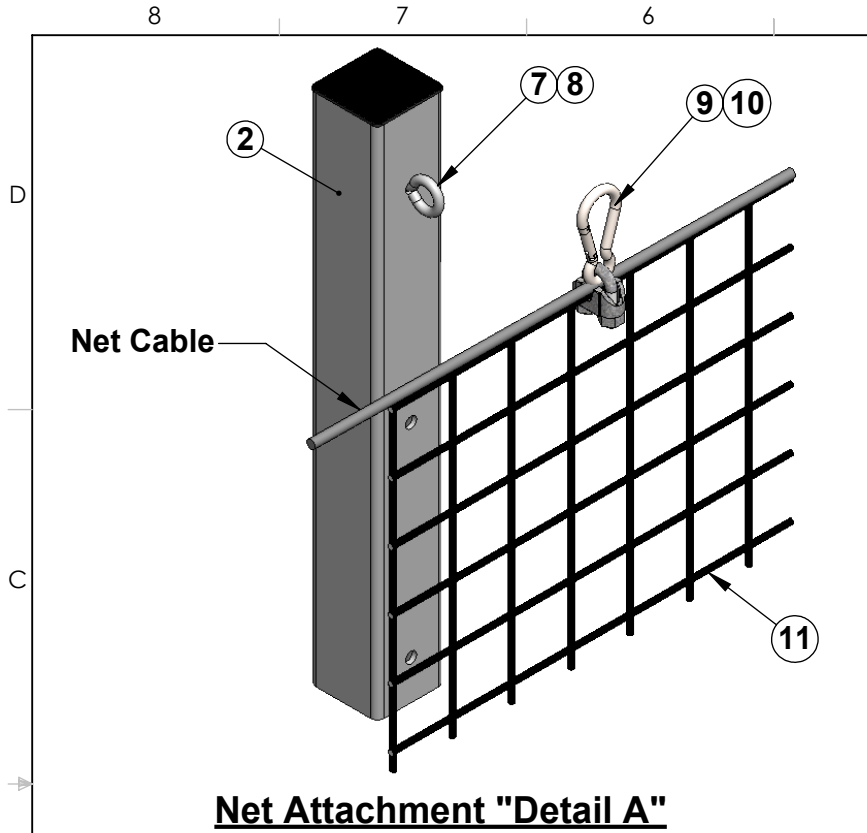



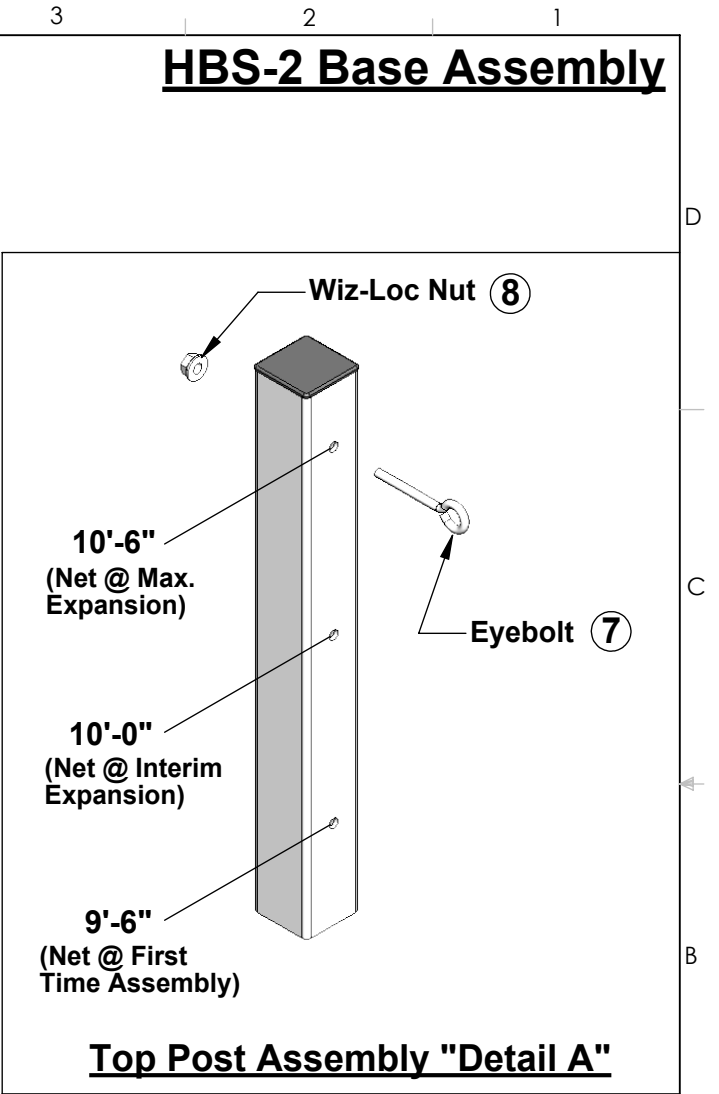
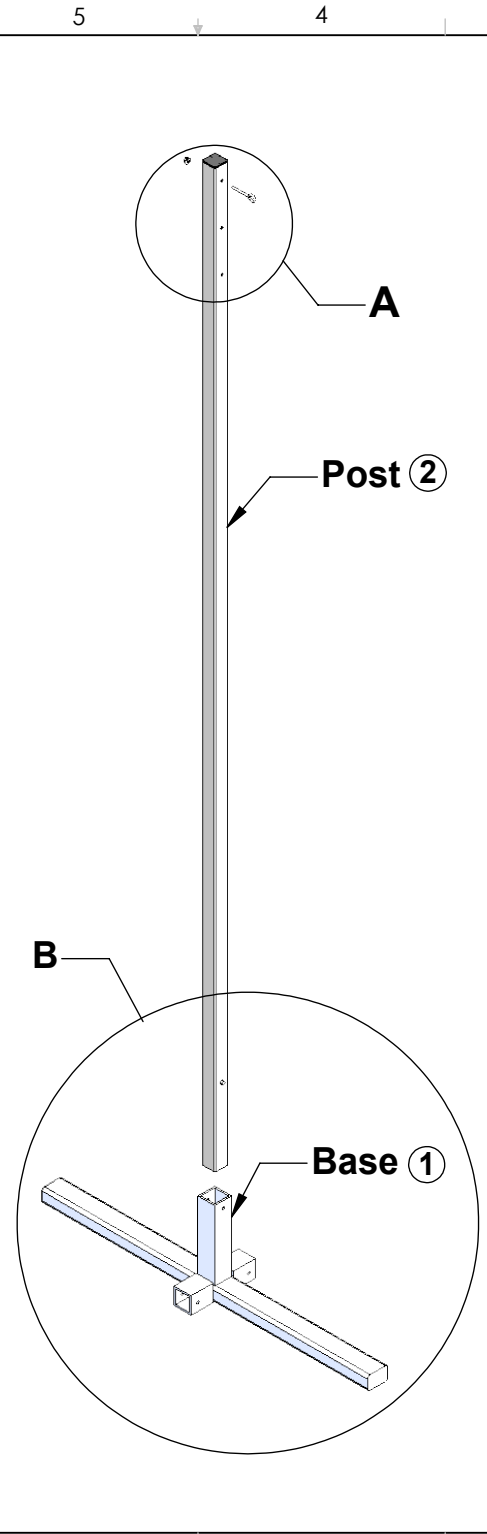
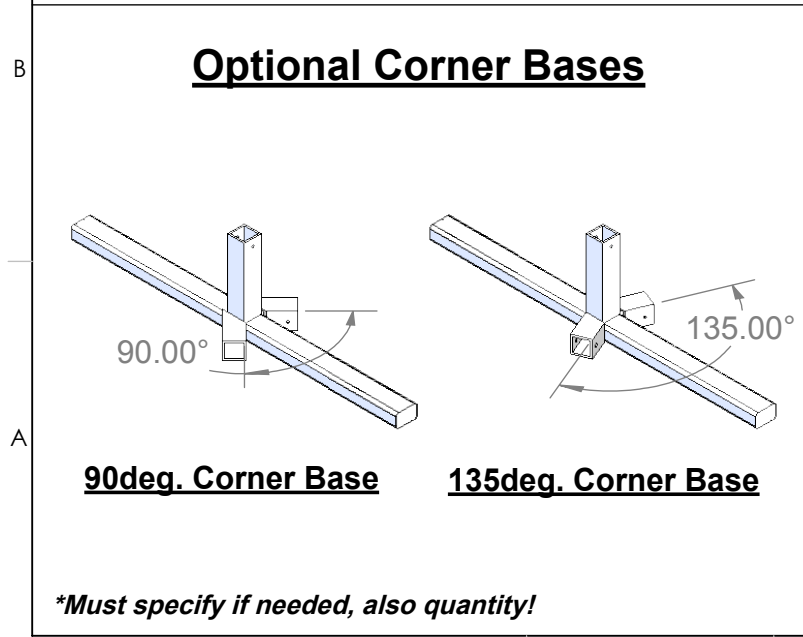
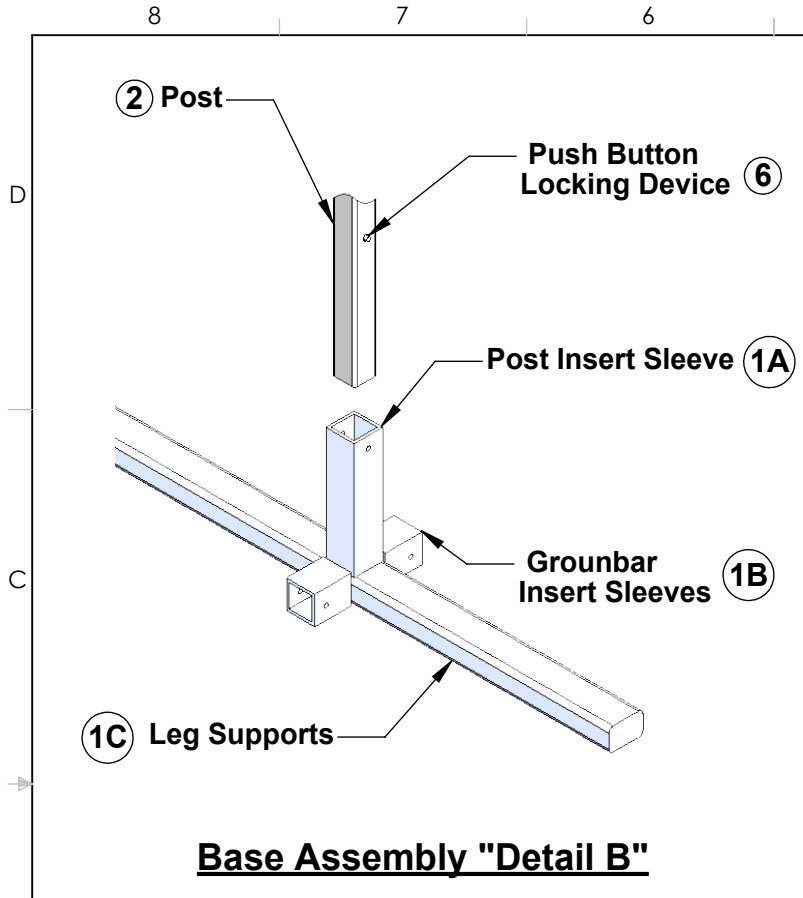
AAE Model No. HBS-2 10' High Self-Standing BallStopper System




Aluminum Athletic Equipment
1000 Enterprise Drive, Royersford, PA 19468
Toll Free: (800) 523-5471 Fax: (610) 825-2378
www.AAEsports.com



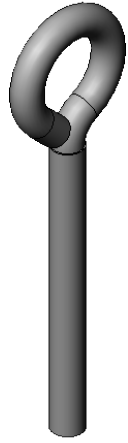
 Aluminum Athletic Equipment 1000 Enterprise Drive, Royersford, PA 19468 Toll Free: (800) 523-5471 Fax: (610) 825-2378 www.AAEsports.com			
DESCRIPTION			
HBS-2 - Assembly (with MNC)			
NOTE: Details "A", "B", & "C"			
MODEL:	HBS-2	CATEGORY:	CUSTOMER
		DATE:	2/15/05
DRAWN BY:	TAD	CAD FILE:	HBS-2 - Assembly
		DWG. NO.	HBS-2-MNC-C-001



 Aluminum Athletic Equipment 1000 Enterprise Drive, Royersford, PA 19468 Toll Free: (800) 523-5471 Fax: (610) 825-2378 www.AAEsports.com			
DESCRIPTION			
HBS-2 - Base Assembly			
NOTE: Detailed Base Specifications. Push Button Locking Device Design			
MODEL:	HBS-2	CATEGORY:	CUSTOMER
		DATE:	6/4/01
DRAWN BY:	TAD	CAD FILE:	HBS-2 - Base Assembly
		DWG. NO.:	HBS-2-C-002

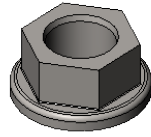
HBS-2 Hardware

Item No. 7



**Eyebolt
5/16" x 2"**

Item No. 8



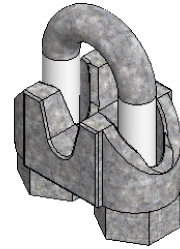
**Wiz-Loc Nut
5/16"-18**

Item No. 13



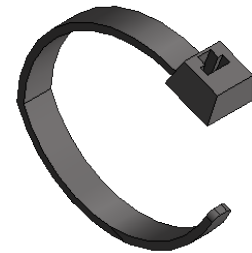
**MNC
(Molded Net Clip)**

Item No.10



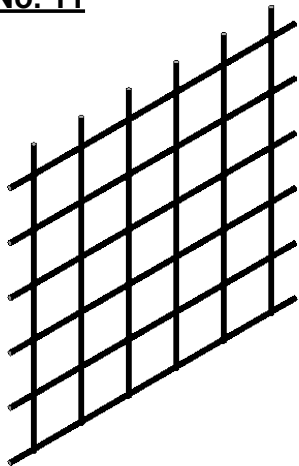
**Cable Clamp
1/4" - 20**

Item No. 12



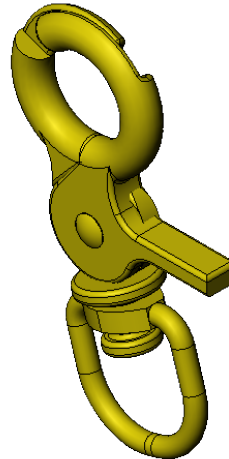
Cable Tie

Item No. 11



**Nylon Netting
(1-3/4" Square)**

Item No. 9



Dog Snap



Aluminum Athletic Equipment
1000 Enterprise Drive, Royersford, PA 19468
Toll Free: (800) 523-5471 Fax: (610) 825-2378
www.AAEsports.com

DESCRIPTION			
HBS-2 - Hardware			
NOTE: Hardware Description for Assembly			
MODEL:	FINISHED ITEM #:	OPERATION ITEM #:	DATE:
HBS-2			2/19/01
DRAWN BY:	CAD FILE:	DWG. NO.	
TAD	HBS-2 Assembly Hardware	HBS-2-C-003	

**HBS-2
10' HIGH SELF-STANDING BALLSTOPPER SYSTEM
PARTS LIST**

Pt.#	Item	Description	Qty.
1	Base	9-1/2" x 12-1/4" x 48" lg. (overall dimension) aluminum base	Ω
1A	Post Insert Sleeve	2-1/2" square x 1/4" wall x 12" lg. aluminum tube	***
1B	Groundbar Insert Sleeve	2-1/2" square x 1/4" wall x 3-1/4" lg. aluminum tube	***
1C	Leg Support	2" x 3" x 1/8" wall x 4'-0" lg. rect. aluminum tube	***
2	Post	2" square x 1/8" wall x 10'-8" aluminum post	Ω
3	Groundbar	2" sq. x 20'-0" lg. 6061T6 aluminum tube	Σ
5	Locking Device	Push button locking device, s.s.	***
6	Locking Device	Push button locking device, s.s.	***
7	Eyebolt	5/16" -18 x 4" eyebolt, s.s.	Ω
8	Nut	5/16" -18 wiz-loc nut, s.s.	Ω
9	Pear Clip	Spring loaded snap, s.s.	Ω
10	Cable Clamp	1/4" cable clamp, galvanized	Ω
11	Net w/ Cable	1-3/4" square knotted nylon net w/ 1/4" rope border, and 3/16" dia. galvanized cable (clear coated) hogringed to net.	Ψ
13	Net Clip	MNC- Molded Net Clip, black, nylon	ϕ

Ω = (# ft. per side / 20 ft.) + 1 Ψ = # ft. per side ϕ = # ft. per side / 40

Σ = (# ft. per side / 20 ft.) *** = included in another item

FOR TECHNICAL ASSISTANCE, CALL 1-800-523-5471

K:\AAE Data\PDF Files\Product Instructions & Parts Lists\BallStopper Systems\HBS-2 Parts List (MNC).doc
Copyright © 2000 Aluminum Athletic Equipment Co.

HBS-2 10' HIGH SELF-STANDING BALLSTOPPER SYSTEM ASSEMBLY INSTRUCTIONS

FRAME ASSEMBLY:

Approximate Assembly Time: 15 minutes per 20' section

Ex: 200 linear feet = 2hrs. 30mins.

1. For first time assembly only, slide MNC Net Clips (Item No. 13) into Groundbars (Item No. 3), before assembling base. Space Net Clips every 12", so there will be approximately 20 Net Clips per Groundbar. Make sure the open end of the clip is facing the field of play. (See drawing no. HBS-2-C-001 Assembly "Detail B & C")
2. Assemble Eyebolts (Item No. 7) into Posts (Item No. 2) securing them with Wiz-Loc Nuts (Item No. 8) into 9'-6" holes on Posts.
(refer to drawing no. HBS-2-C-002 Base Assembly "Detail A")
*** Note: As net expands over time, eyebolts and nuts can be repositioned to pre-drilled locations to increase net coverage.**
3. Assemble Posts (Item No. 2) onto Base's Post Insert (Item No. 1A) using Push Button Locking Device (Item No. 6).
**(shown in drawing HBS-2-C-002 Base Assembly "Detail B")
(Total number of Bases & Posts may vary)**
4. Place first Post & Base assembly at the baseline end of the field in an erected position (as seen on drawing "HBS-2-C-001 Assembly"). Slide Groundbar (Item No. 3), with previously inserted MNC Net Clips (Item No. 13), into Groundbar Insert Sleeves (Item No. 1B).
***Make sure the open end of the MNC Net Clips is facing the field of play, so that when a ball hits the net, the net won't be pushed out of the Net Clip.**
5. Repeat procedures 3 & 4 (above) till the last Groundbar is assembled to the last Base Assembly on the opposite baseline on the field.

****Note: If HBS-2 was purchased for 2 ends of a field, divide number of Bases received (Item No.1) in half. (i.e. If you have received 20 Bases, then use 10 on each side)**

ATTACHING THE NET:

1. Lay Net (Item No. 11) in front of Base & Groundbar Assembly from one end to the other, find the middle of the cable.
2. The distance between posts is 20'-3". Please measure to verify. Pull the cable as taught as possible while using a tape measure to get the correct position for the hardware.
3. Attach Cable Clamps (Item No. 10) with Pear Clips (Item No. 9) around both the **Cable & Net Rope Border**. (refer to drawings HBS-2-C-001 Assembly "Detail A" & HBS-2-C-003 Hardware "Net")

HBS-2 10' HIGH SELF-STANDING BALLSTOPPER SYSTEM ASSEMBLY INSTRUCTIONS

4. When finished attaching Cable Clamps & Pear Clips to cable & net, attach Pear Clips (Item No. 9) to Eyebolts (Item No. 7), pre-attached to Posts. Only do 2 sections at a time and check the sag of the cable.

Remember: The 1st section will always pull the posts in and make the sag look bigger than it will be as you keep assembling to the posts down the line. If 2 people hold the posts perfectly perpendicular you can see what the true sag will be.

5. When top is done being attached to the eyebolts on the posts, attach Net (Item No. 11) every 12", or as needed, to the MNC Net Clips (Item No. 13), which were previously slid into Groundbar (Item No. 3).
6. Use at least four 50 lbs. sandbags to place on the Leg Supports on each end of the HBS-2 Ballstopper System, to help anchor the ends. (or as needed). Use at least two 50 lbs. sandbags on each of the middle post Leg Supports to safely anchor the system along the whole length.

Ask about our Heavy-Duty VSZ -Vinyl Sandbags with Zipper (in Bright Yellow)!

7. You are now finished your "First Time Assembly." Future assemblies of the system will become less tedious.

MAINTENANCE AND CARE:

1. The net should be taken down and stored indoors during the off-season, or if the HBS-2 System will not be used for an extended period of time.
 - 1A. Un-clip all the pear clips at the top, then the net clips at the bottom. If 2 nets have been adjoined in the middle, cut the cable ties to make handling of net easier.
 - 1B. Fold net in half (10' way, making it 5'). Roll the net so to store it in a barrel or simply feed it into the barrel. Leave hardware on for next-time assembly.

Ask about our Heavy-duty 55Gal. BallStopper Net Drums, Polyethyl. (BND-P) with lever-locking device! (Availbale Colors: Black, Blue, and Natural Translucent)
 - 1C. Store Groundbars, Bases, and Uprights in an area where they will not be damaged. Check condition of hardware and get any replacements if needed.
2. As net expands over time, unsnap net from eyebolts and readjust position of eyebolt to predrilled holes. (see drawing HBS-2-C-002 Base Assembly "Detail A")

FOR TECHNICAL ASSISTANCE, CALL 1-800-523-5471

K:\AAE Data\Product Instructions & Parts Lists\BallStopper Systems\HBS-2\HBS-2 Assembly Instructions (MNC).doc
Copyright © 2001 Aluminum Athletic Equipment Co.