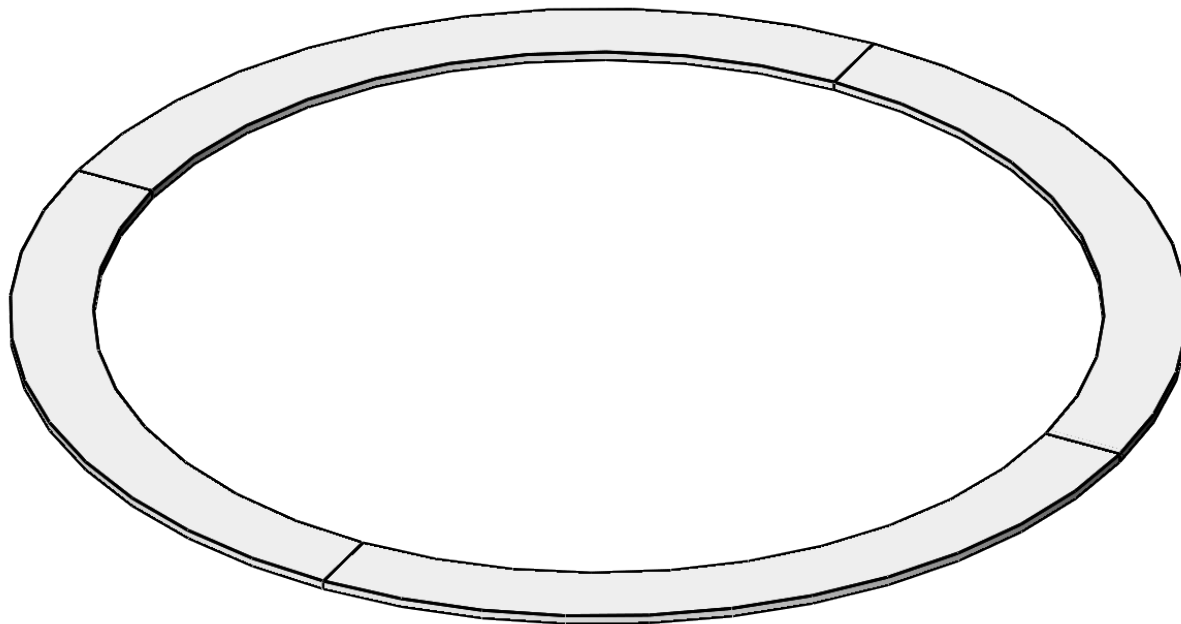


# AAE Model No. HDR-S Synthetic Hammer-Discus Conversion Ring

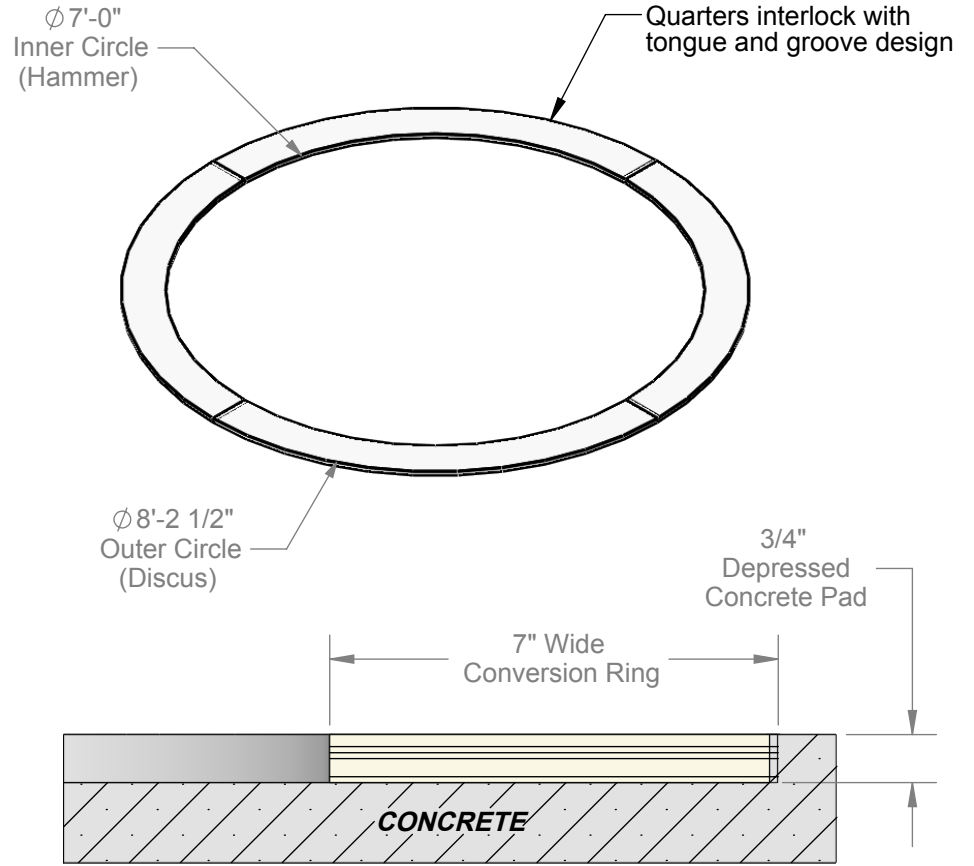
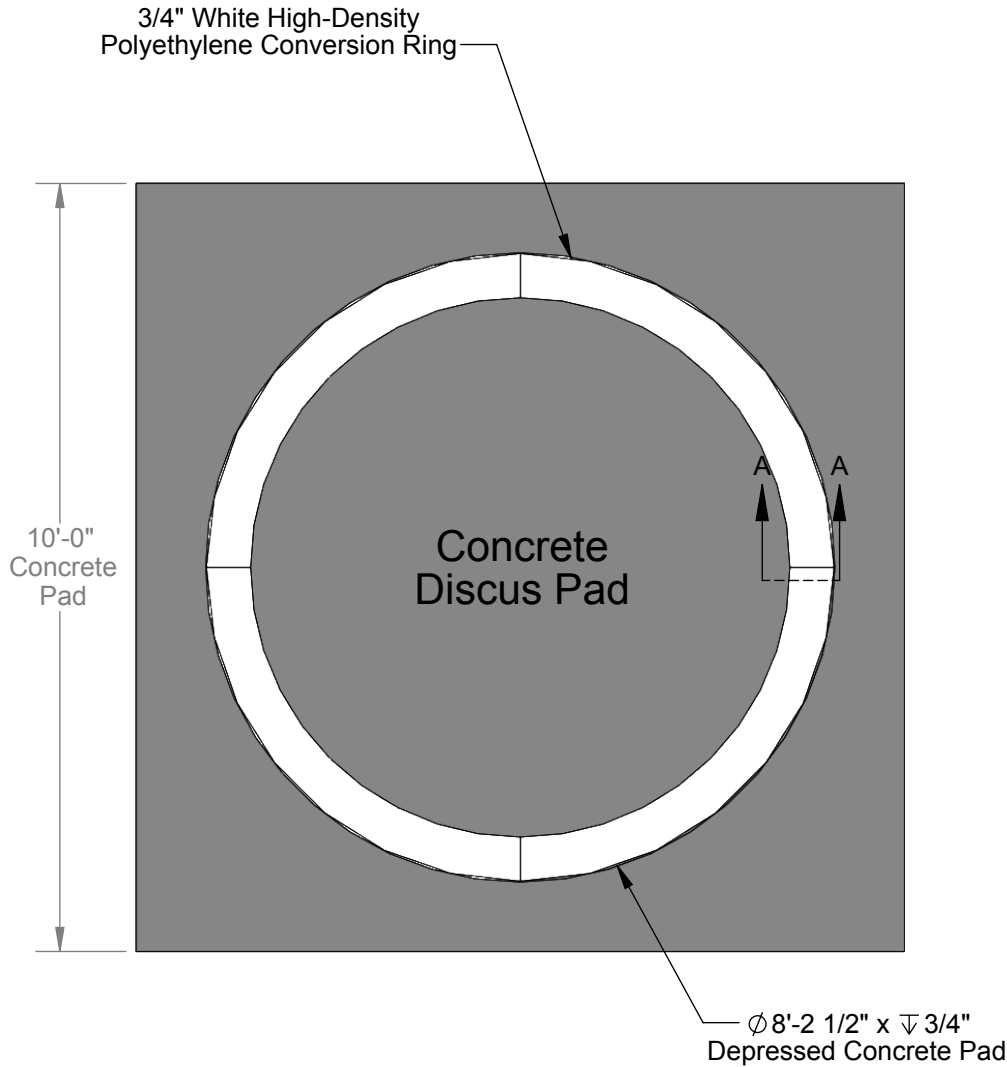


**Aluminum Athletic Equipment**  
1000 Enterprise Drive, Royersford, PA 19468  
Toll Free: (800) 523-5471 Fax: (610) 825-2378  
[www.AAEsports.com](http://www.AAEsports.com)

# HDR-S - Specifications

## Synthetic Hammer-Discus Conversion Ring

D  
C  
B  
A



SECTION A-A  
SCALE 1 : 3



**Aluminum Athletic Equipment**  
 1000 Enterprise Drive, Royersford, PA 19468  
 Toll Free: (800) 523-5471 Fax: (610) 825-2378  
[www.AAEsports.com](http://www.AAEsports.com)

DESCRIPTION		
<b>HDR-S - Specifications</b>		
NOTE: Synthetic Hammer-Discus Conversion Ring - Comes in 4 Pieces		
MODEL: HDR-S	CATEGORY: CUSTOMER	DATE: 07/07/11
DRAWN BY: ARP	CAD FILE: HDR-S - Specifications	DWG. NO. HDR-S-C-001