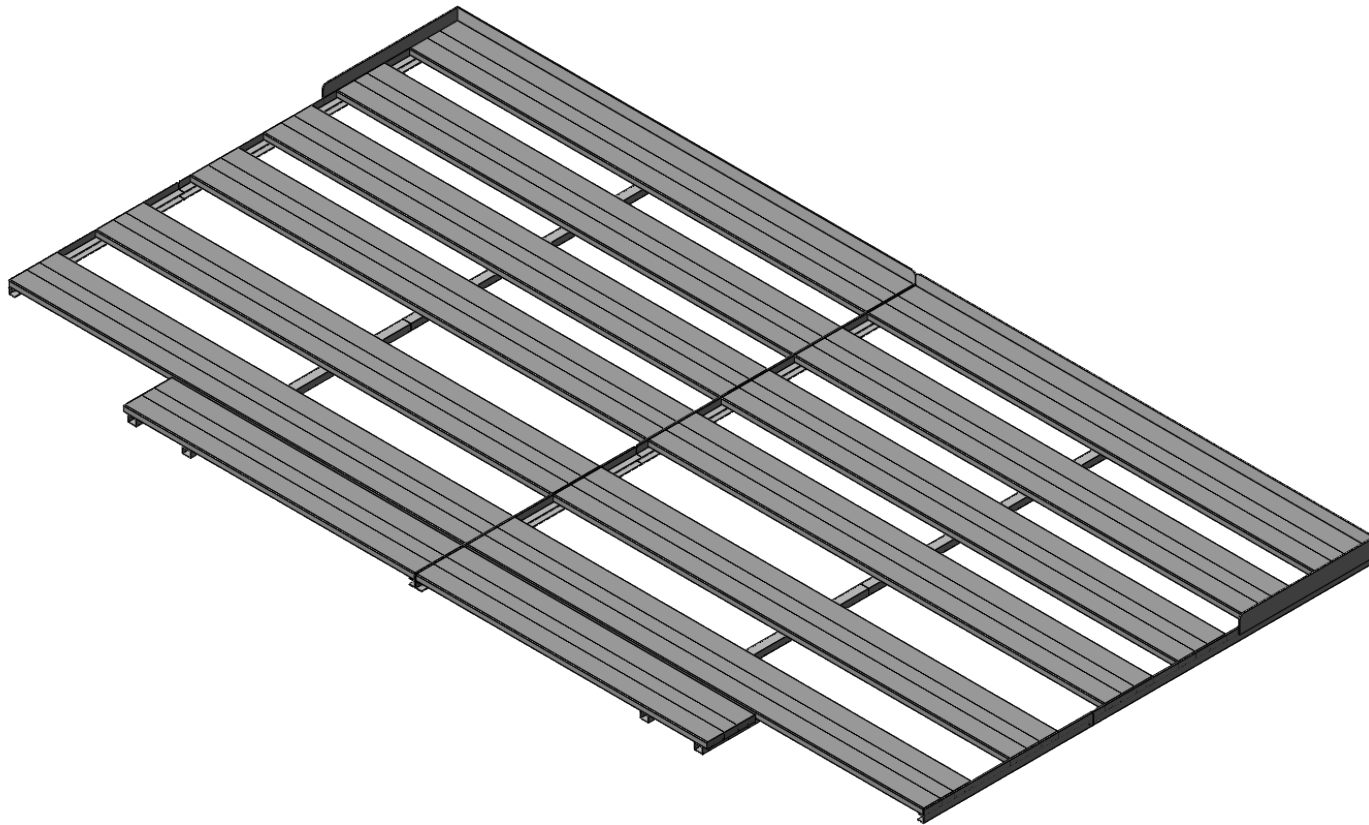
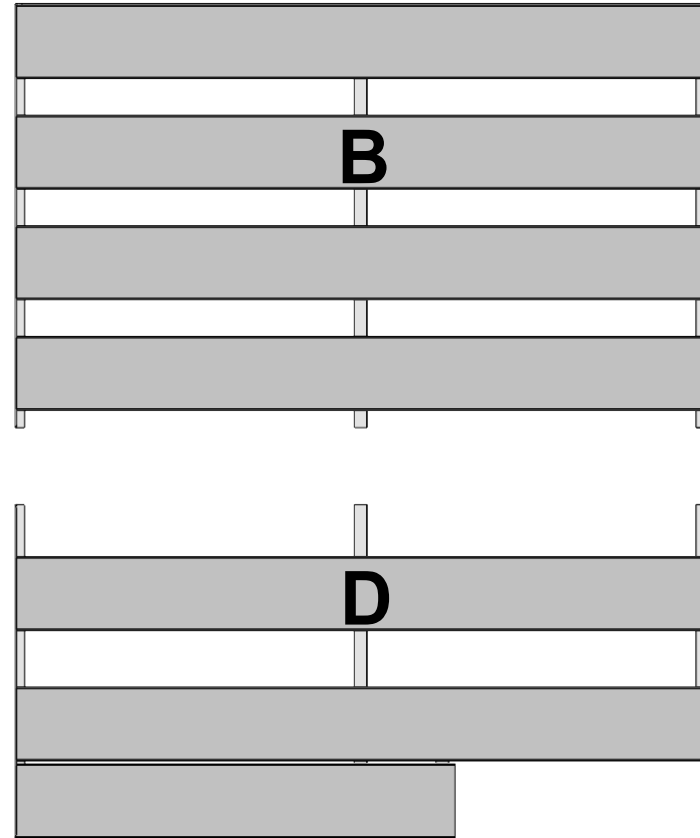
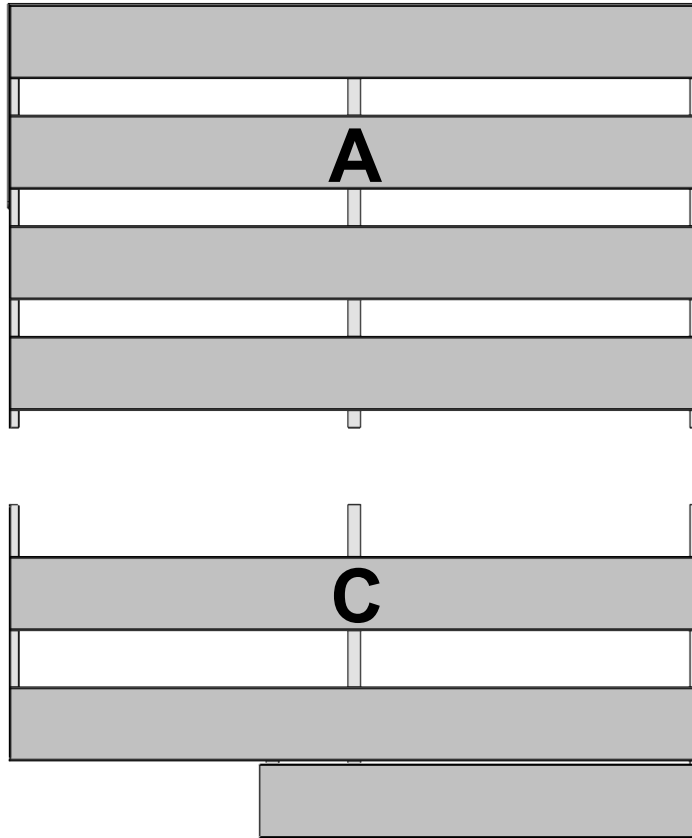


AAE Model No. HJP10-18X High Jump Landing Pad Platform



Aluminum Athletic Equipment
1000 Enterprise Drive, Royersford, PA 19468
Toll Free: (800) 523-5471 Fax: (610) 825-2378
www.AAEsports.com

HJP10-18X
Layout & Weight Sheet



Platform Weight Calculations

A & B = 102 lbs. ea.

C & D = 62 lbs. ea.

Total Platform Weight = 328 lbs.



Aluminum Athletic Equipment
 1000 Enterprise Drive, Royersford, PA 19468
 Toll Free: (800) 523-5471 Fax: (610) 825-2378
www.AAEsports.com

DESCRIPTION			
HJP10-18X Layout & Weight Sheet			
NOTE: 10' Deep - High Jump Platform Assembly			
MODEL: HJP10-18X	CATEGORY: SHOP	OPERATIONS: 3 of 3	DATE: 3/15/02
DRAWN BY: TAD	FILE NAME: HJP10-18X Assembly	DWG. NO. HJP10-18X-S-003	

HJP10-18X

Detailed Assembly

HARDWARE USED:



Quantity= 4
1/4"-20 Stainless Steel
Wiz-Loc Nuts



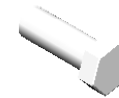
Quantity= 4
1/4"-20 x 1" Stainless Steel
Hex Bolts



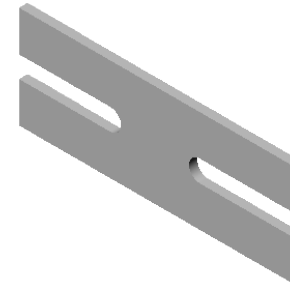
Quantity= 4
3/8"-16 Stainless Steel
Wiz-Loc Nuts



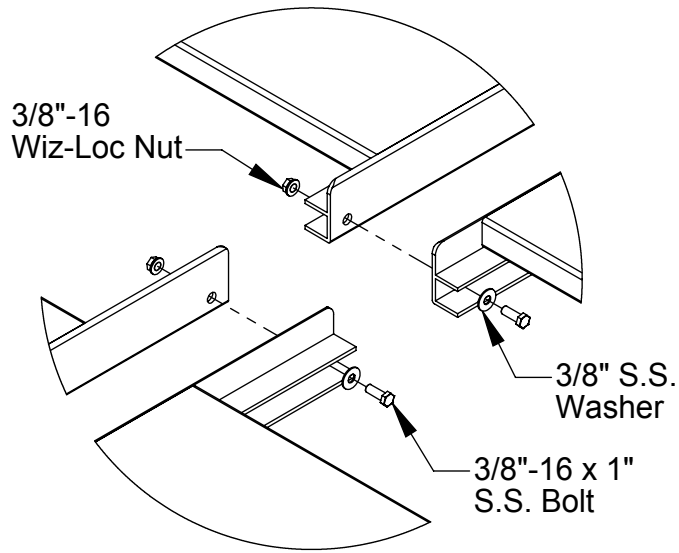
Quantity= 4
3/8 Stainless Steel
Washer



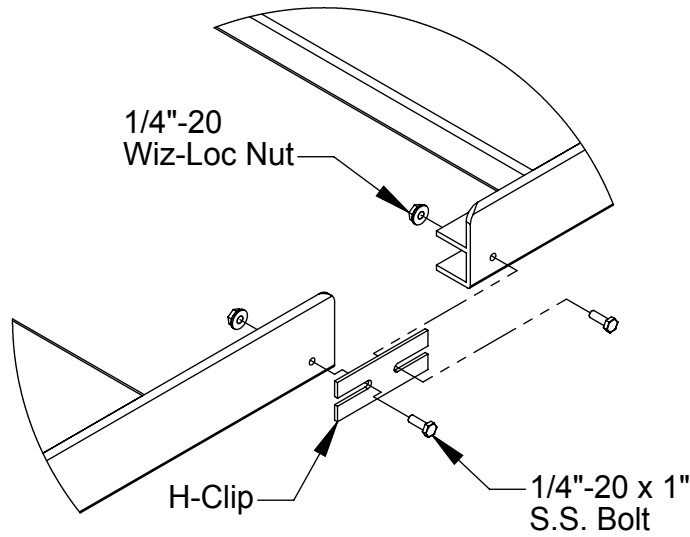
Quantity= 4
3/8"-16 x 1" Stainless Steel
Hex Bolts



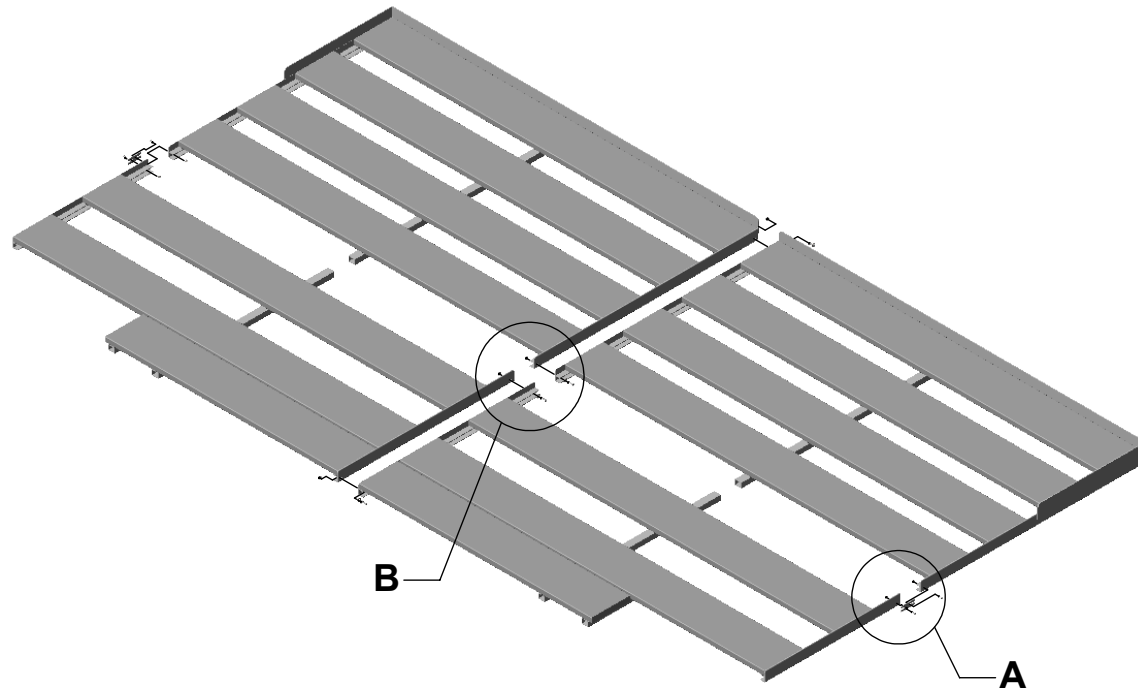
Quantity= 2
1/8" x 1-1/2" x 4"
Aluminum H-Clip




DETAIL B
SCALE 1 : 8



DETAIL A
SCALE 1 : 6



 Aluminum Athletic Equipment 1000 Enterprise Drive, Royersford, PA 19468 Toll Free: (800) 523-5471 Fax: (610) 825-2378 www.AAEsports.com		
DESCRIPTION		
HJP10-18X Detailed Assembly		
NOTE: Shows Hardware Assembly with H-Clips & Bolts		
MODEL:	CATEGORY:	DATE:
HJP10-18X	CUSTOMER	3/18/02
DRAWN BY:	CAD FILE:	DWG. NO.:
TAD	HJP10-18X Detailed Assembly	HJP10-18X-C-002