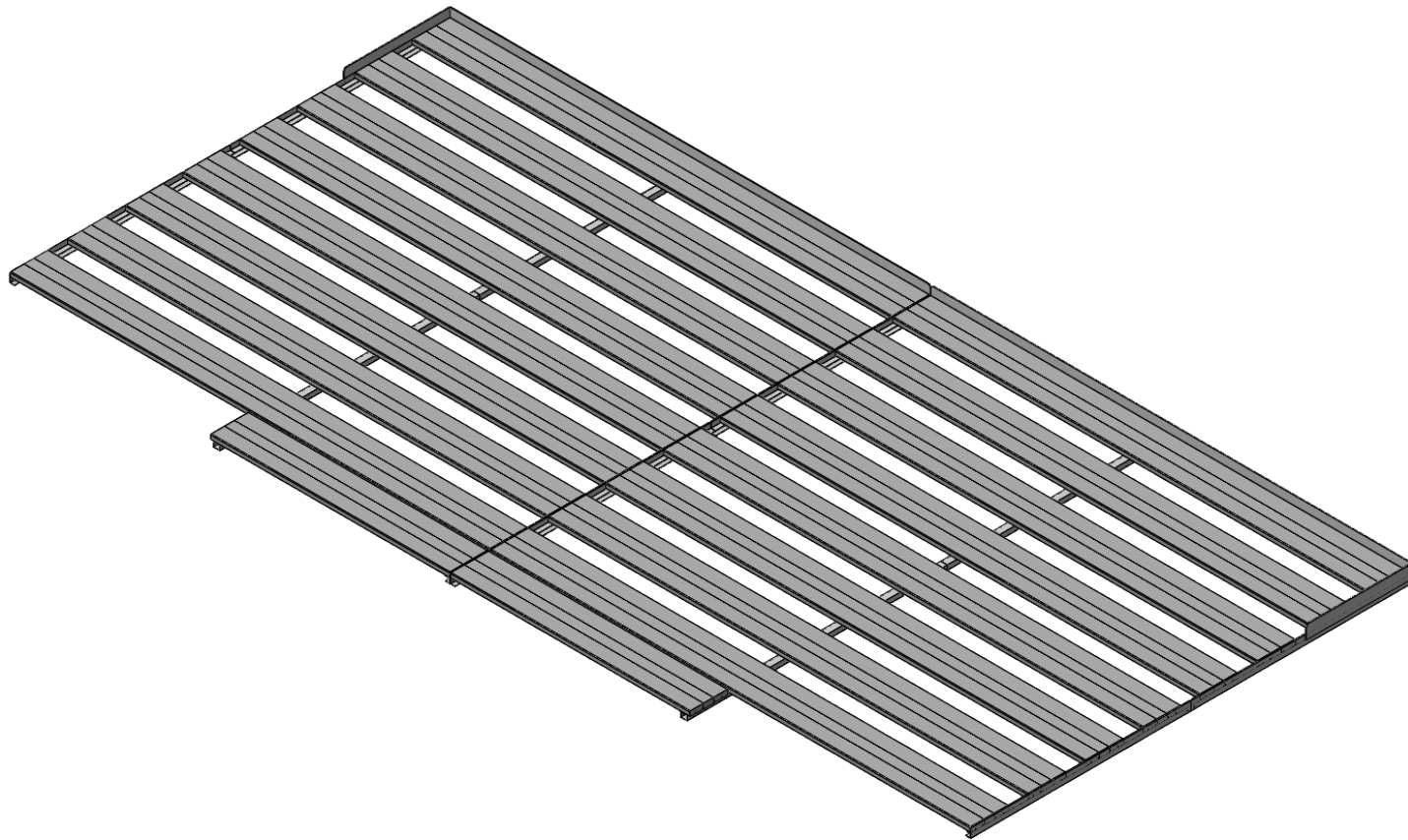


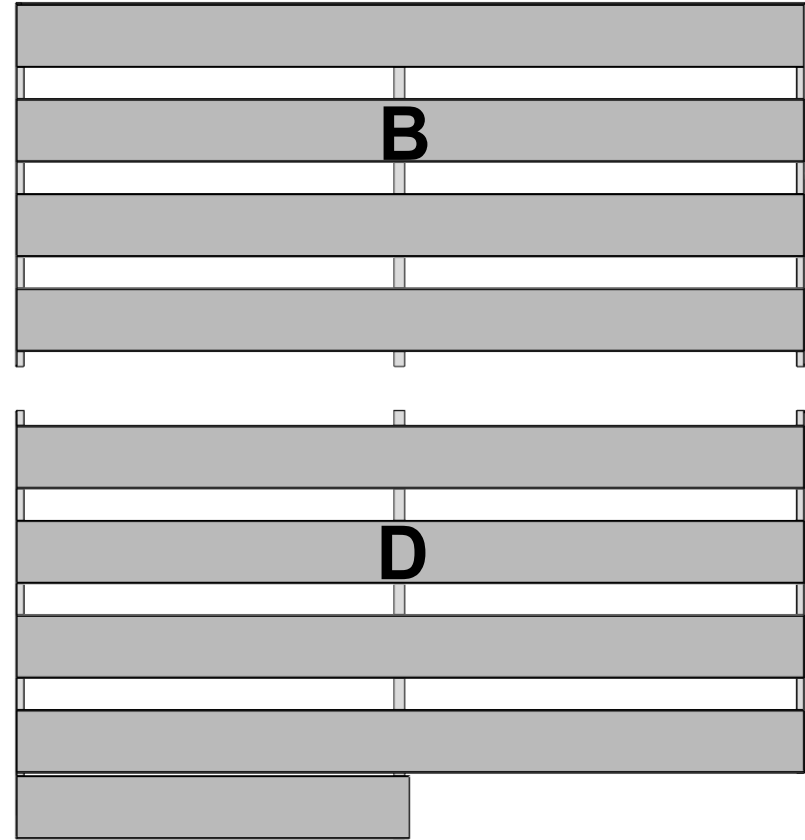
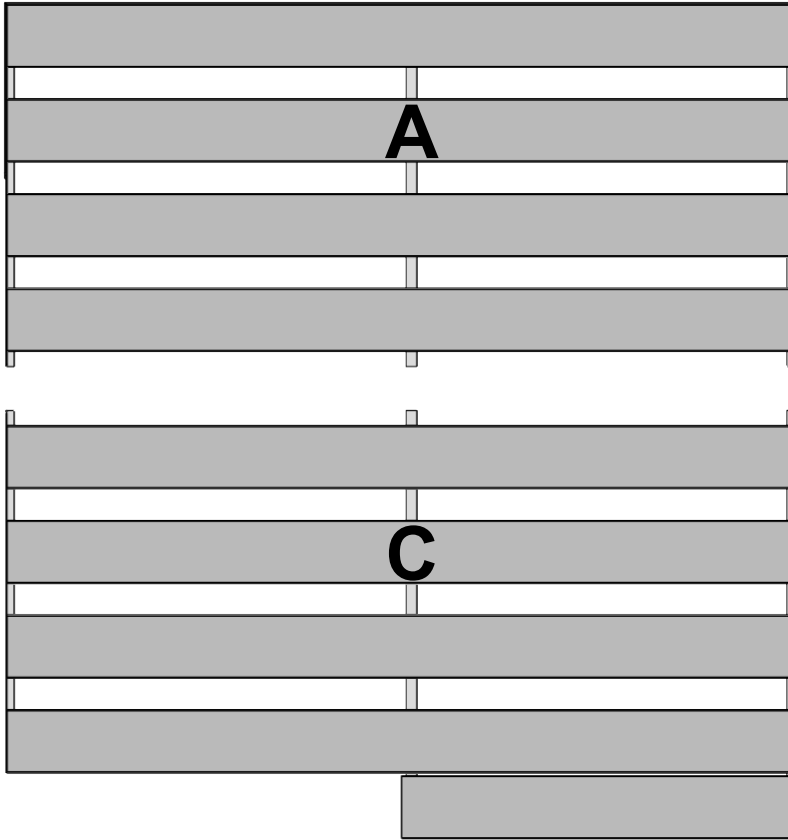
# AAE Model No. HJP12-24X High Jump Landing Pad Platform



**Aluminum Athletic Equipment**  
1000 Enterprise Drive, Royersford, PA 19468  
Toll Free: (800) 523-5471 Fax: (610) 825-2378  
[www.AAEsports.com](http://www.AAEsports.com)

# HJP12-24X

## Layout & Weight Sheet



### Platform Weight Calculations

**A & B = 135 lbs. ea.**

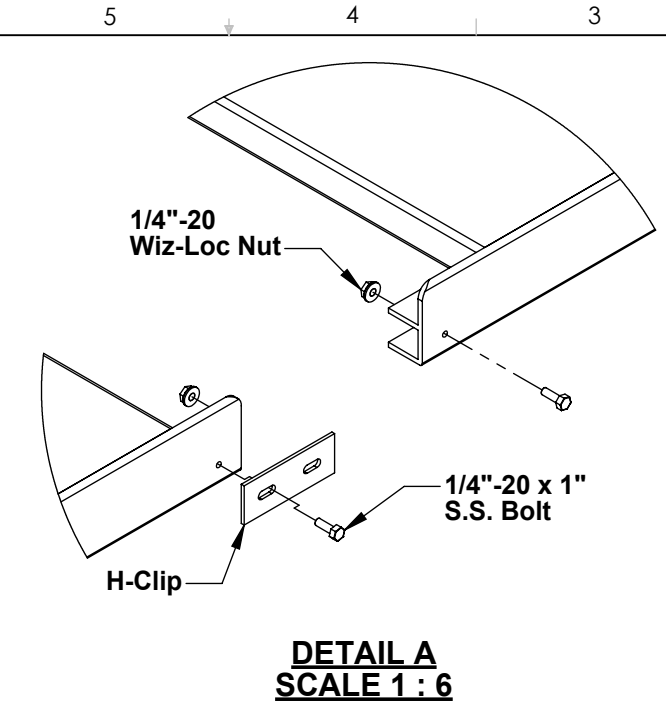
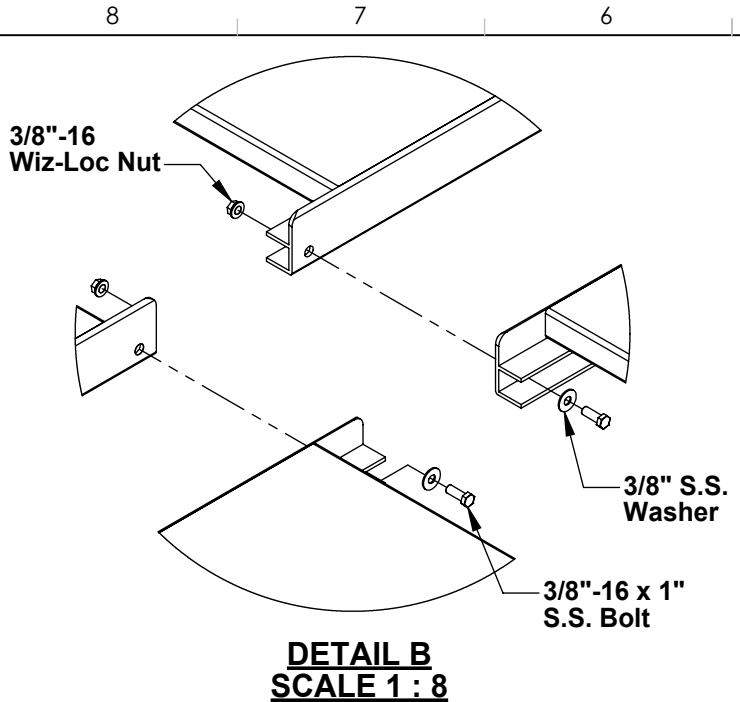
**C & D = 130 lbs. ea.**

**Total Platform Weight = 530 lbs.**



**Aluminum Athletic Equipment**  
1000 Enterprise Drive, Royersford, PA 19468  
Toll Free: (800) 523-5471 Fax: (610) 825-2378  
[www.AAEsports.com](http://www.AAEsports.com)

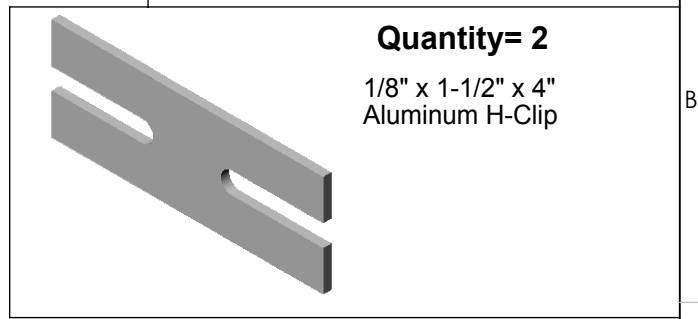
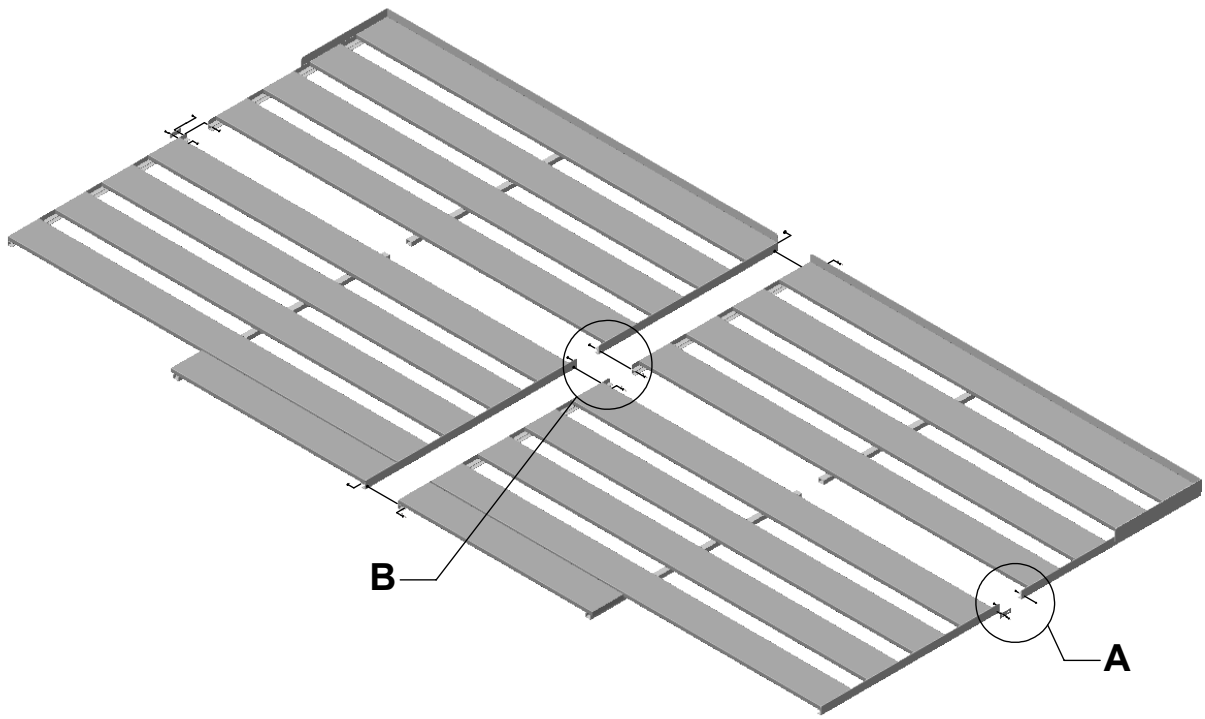
DESCRIPTION		
<b>HJP12-24X Layout &amp; Weight Sheet</b>		
NOTE: 12' Deep - High Jump Platform Assembly		
MODEL: HJP12-24X	CATEGORY: <b>CUSTOMER</b>	DATE: 3/15/02
DRAWN BY: TAD	FILE NAME: HJP12-24X Assembly	DWG. NO. HJP12-24X-C-002




## HJP12-24X Detailed Assembly

**HARDWARE USED:**

	<b>Quantity= 4</b> 1/4"-20 Stainless Steel Wiz-Loc Nuts
	<b>Quantity= 4</b> 1/4"-20 x 1" Stainless Steel Hex Bolts
	<b>Quantity= 4</b> 3/8"-16 Stainless Steel Wiz-Loc Nuts
	<b>Quantity= 4</b> 3/8 Stainless Steel Washer
	<b>Quantity= 4</b> 3/8"-16 x 1" Stainless Steel Hex Bolts



 <b>Aluminum Athletic Equipment</b> 1000 Enterprise Drive, Royersford, PA 19468 Toll Free: (800) 523-5471 Fax: (610) 825-2378 <a href="http://www.AAEsports.com">www.AAEsports.com</a>		
DESCRIPTION		
<b>HJP12-24X Detailed Assembly</b>		
NOTE: Shows Hardware Assembly with H-Clips & Bolts		
MODEL:	CATEGORY:	DATE:
HJP12-24X	<b>CUSTOMER</b>	3/18/02
DRAWN BY:	CAD FILE:	DWG. NO.:
TAD	HJP12-24X Detailed Assembly	HJP12-24X-C-002