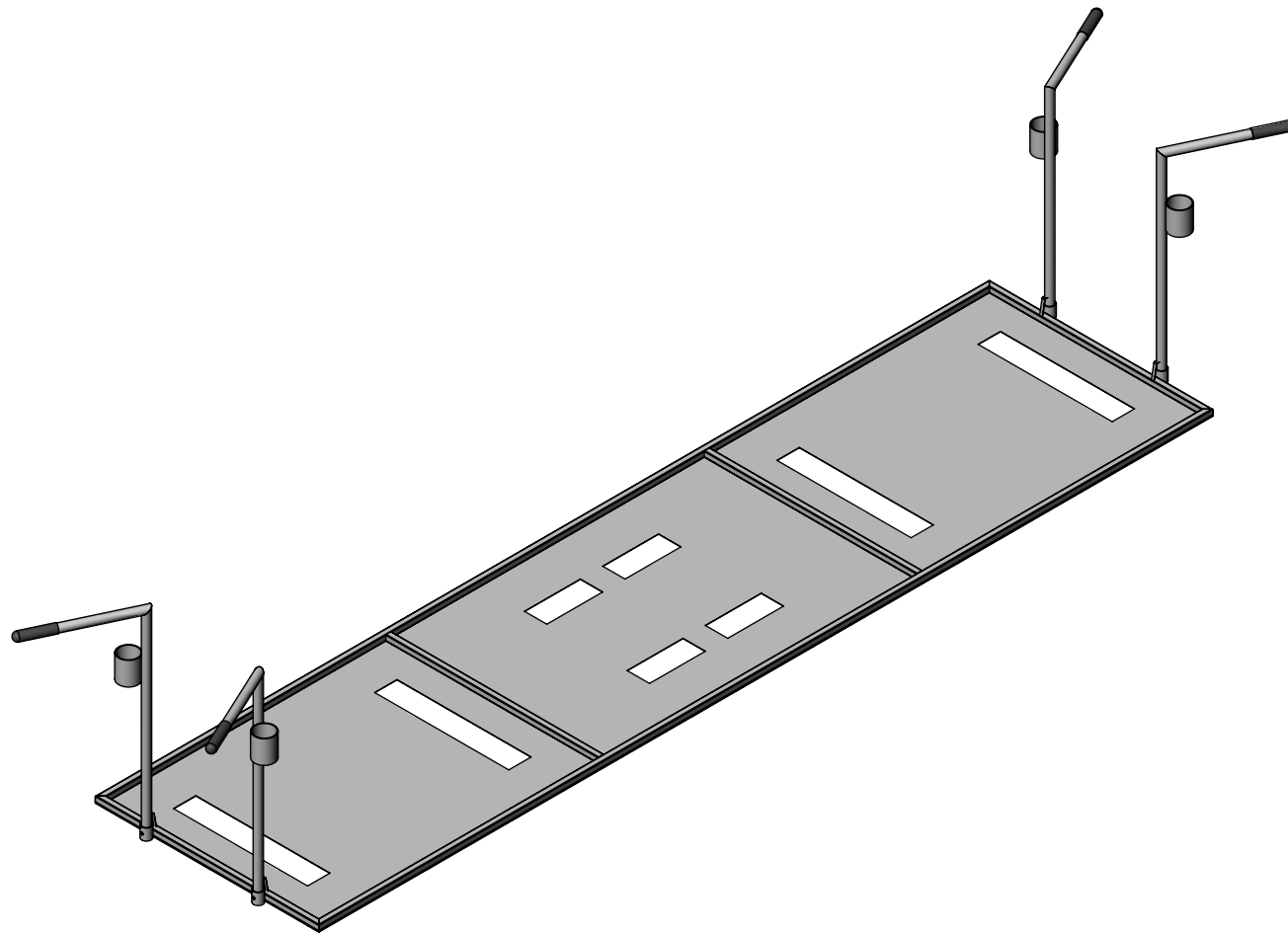


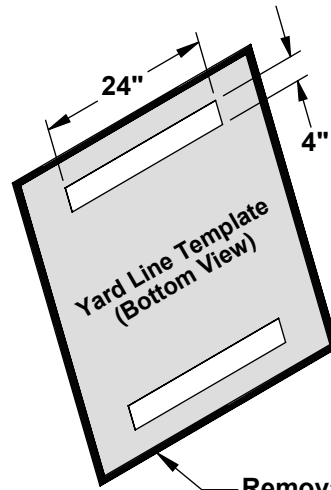
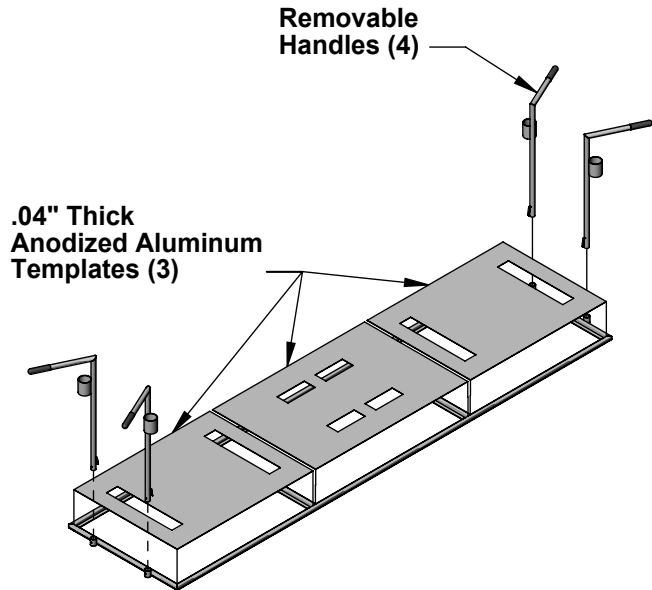
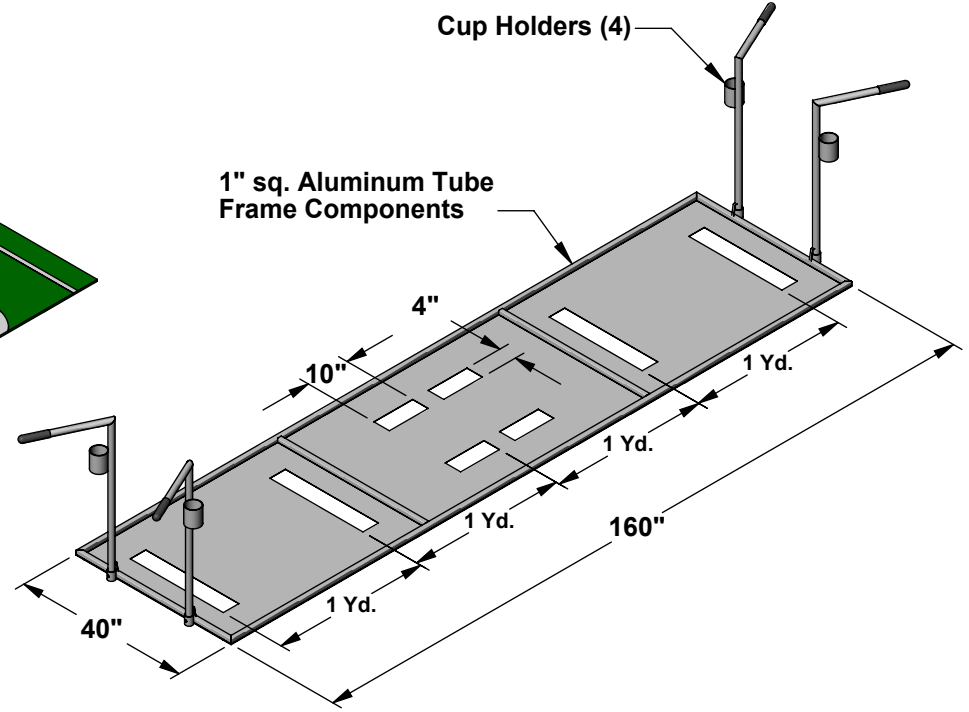
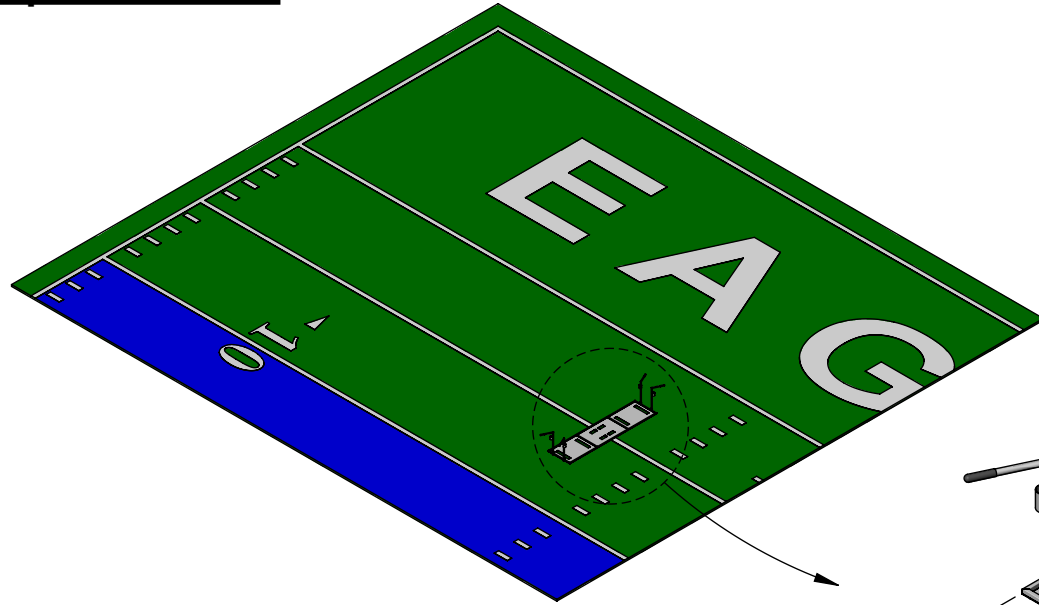
# AAE Model No. HMS Hash Mark Striper



**Aluminum Athletic Equipment**  
1000 Enterprise Drive, Royersford, PA 19468  
Toll Free: (800) 523-5471 Fax: (610) 825-2378  
[www.AAEsports.com](http://www.AAEsports.com)

# HMS - Hash Mark Striper

## Specifications



Removable Templates (easy cleaning)

Overall Weight = 65 lbs.



**Aluminum Athletic Equipment**  
 1000 Enterprise Drive, Royersford, PA 19468  
 Toll Free: (800) 523-5471 Fax: (610) 825-2378  
[www.AAEsports.com](http://www.AAEsports.com)

|  |                           |           |
|--|---------------------------|-----------|
| DESCRIPTION:                                       |                           |           |
| <b>HMS - Hash Mark Striper - Specifications</b>    |                           |           |
| NOTE: Special - Philadelphia Eagles (Tony Leonard) |                           |           |
| MODEL:   | CATEGORY:                 | DATE:     |
| HMS  | CUSTOMER                  | 11/5/04   |
| DWN. BY:   | CAD FILE:                 | DWG. NO.: |
| TAD  | Hash Mark Striper - Specs | HMS-C-001 |