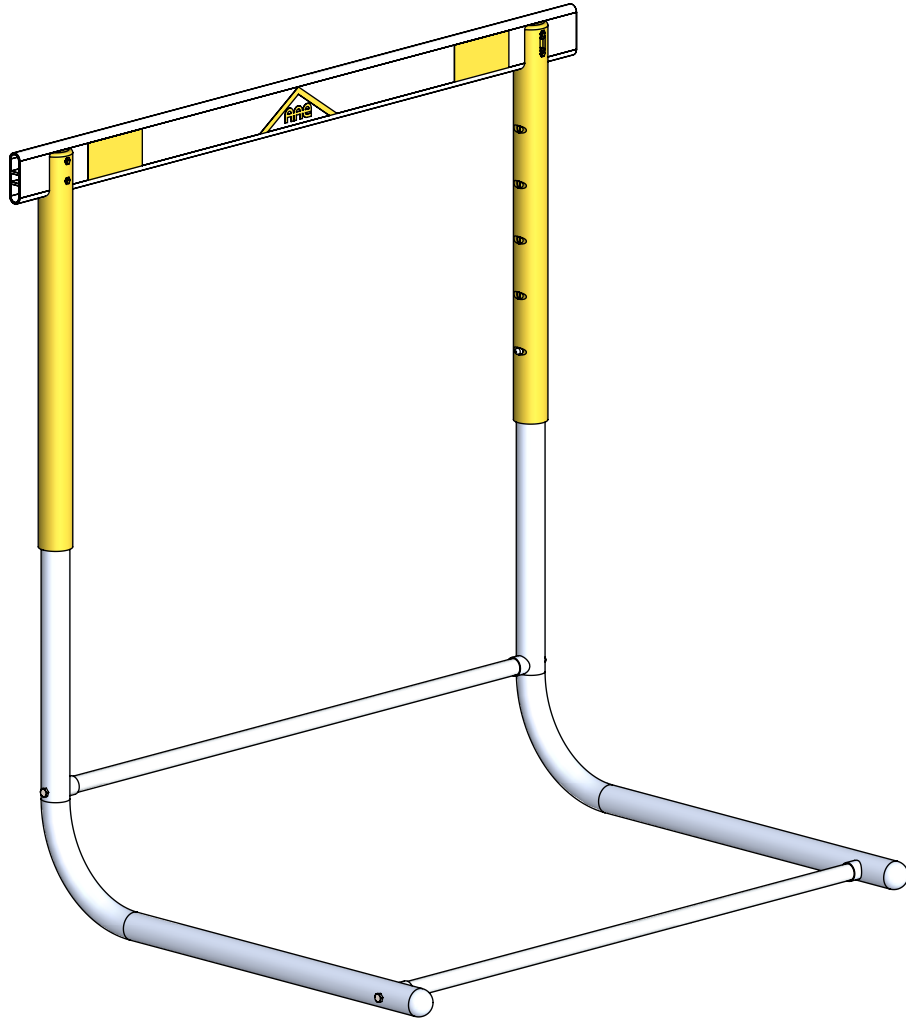
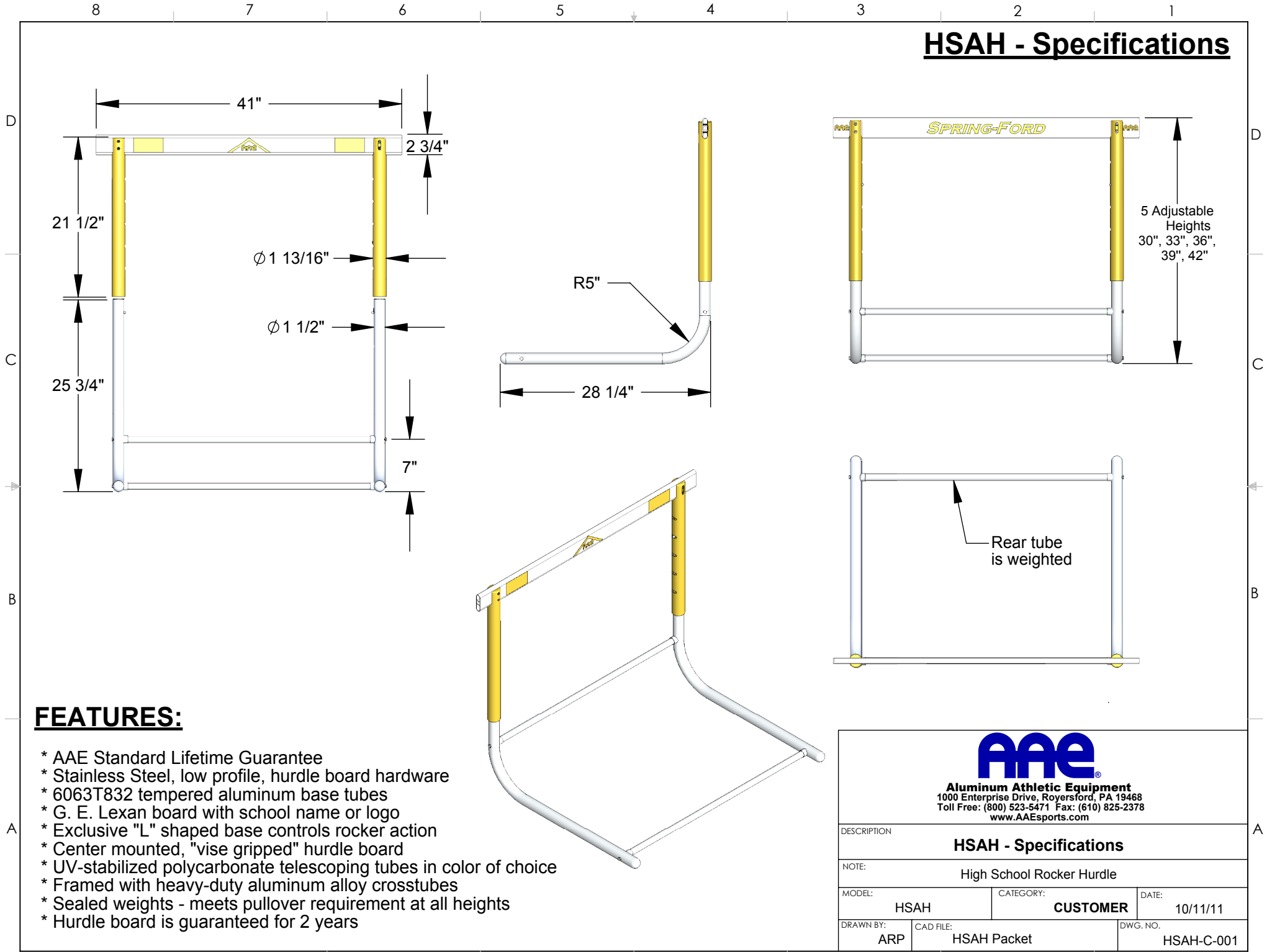


HSAH High School Rocker Hurdle



Aluminum Athletic Equipment
1000 Enterprise Drive, Royersford, PA 19468
Toll Free: (800) 523-5471 Fax: (610) 825-2378
www.AAEsports.com

HSAH - Specifications



5 Adjustable Heights
30", 33", 36", 39", 42"

Rear tube is weighted

FEATURES:

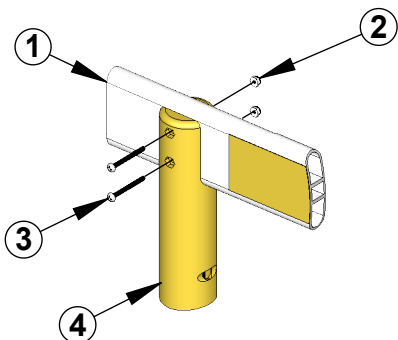
- * AAE Standard Lifetime Guarantee
- * Stainless Steel, low profile, hurdle board hardware
- * 6063T832 tempered aluminum base tubes
- * G. E. Lexan board with school name or logo
- * Exclusive "L" shaped base controls rocker action
- * Center mounted, "vise gripped" hurdle board
- * UV-stabilized polycarbonate telescoping tubes in color of choice
- * Framed with heavy-duty aluminum alloy crosstubes
- * Sealed weights - meets pullover requirement at all heights
- * Hurdle board is guaranteed for 2 years



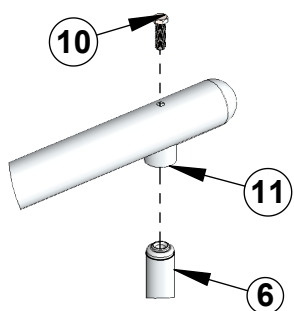
Aluminum Athletic Equipment
1000 Enterprise Drive, Royersford, PA 19468
Toll Free: (800) 523-5471 Fax: (610) 825-2378
www.AAEsports.com

DESCRIPTION			
HSAH - Specifications			
NOTE: High School Rocker Hurdle			
MODEL:	HSAH	CATEGORY:	CUSTOMER
		DATE:	10/11/11
DRAWN BY:	ARP	CAD FILE:	HSAH Packet
		DWG. NO.:	HSAH-C-001

STEP NO. 2

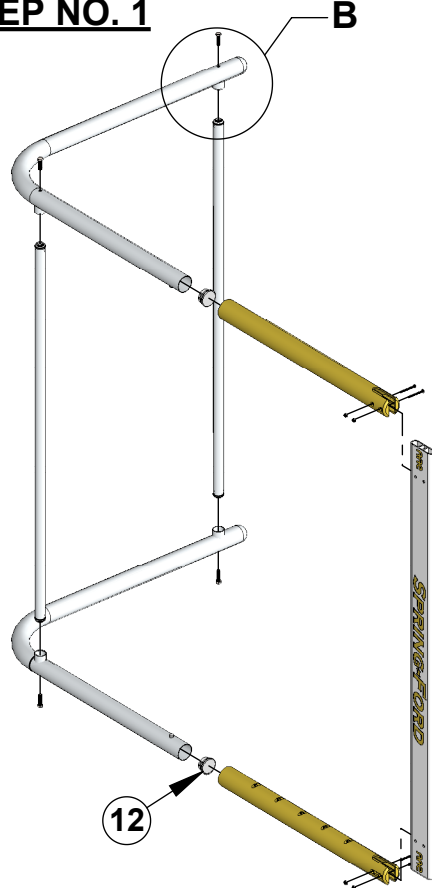


DETAIL A
SCALE 1 : 6



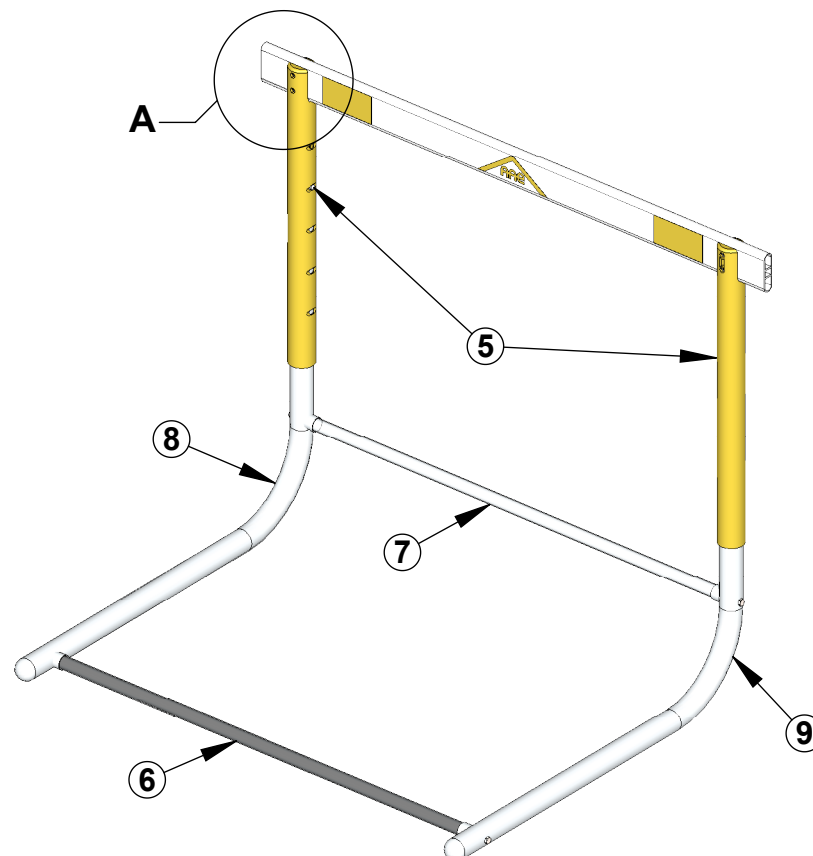
DETAIL B
SCALE 1 : 6

STEP NO. 1



OPERATION

HSAH - Assembly



Tools Required: Screwdriver, 7/16" socket w/ ratchet, & mallet.

STEP NO. 1 - Hurdle Frame Assembly

- A. Place tube #8 on floor as shown.
- B. Insert light crosstube, #7 and weighted crosstube, #6 into bushings, #11 as illustrated.
- C. Position base tube, #9, so that the top ends of the crosstubes fit into bushings.
- D. Fasten crosstubes to base tube with hex bolts, #10, w/ 7/16" ratchet.
- E. Flip over assembly & repeat Step 4.

STEP NO. 2 - Assembling Hurdle Board

- A. Center the holes in the hurdle board, #1, over telescope tubes, #4, and tap into slot.
- B. Align holes and insert aluminum post, #2, and fasten tight with binding screw, #3.

OPERATION - Adjusting Hurdling Heights

- A. Face front side of hurdle and position your left and right foot on base tubes, #8 & #9, respectively.
- B. Depress locking devices, #5, with first joint of thumb (NOT finger tips) and raise or lower hurdle tubes and board.

CAUTION:
NEVER PLACE FEET ON CROSSTUBE #7
WHEN RAISING OR LOWERING HURDLE!!

Maintenance

- A. Store inside during off-season.
- B. Remove hurdle top, clean and lubricate base tube (yearly).
- C. Tighten all hardware regularly.
- D. Replace any broken parts immediately.

Important Note:

The sealed weights in the base tubes should stay to the rear of the base tubes at all times!



Aluminum Athletic Equipment
1000 Enterprise Drive, Royersford, PA 19468
Toll Free: (800) 523-5471 Fax: (610) 825-2378
www.AAEsports.com

DESCRIPTION

HSAH - ASSEMBLY

NOTE:

**** Read all Important Notes & Cautions before operating hurdle.**

MODEL:

HSAH

CATEGORY:

CUSTOMER

DATE:

10/11/11

DRAWN BY:

ARP

CAD FILE:

HSAH Packet

DWG. NO.

HSAH-C-002