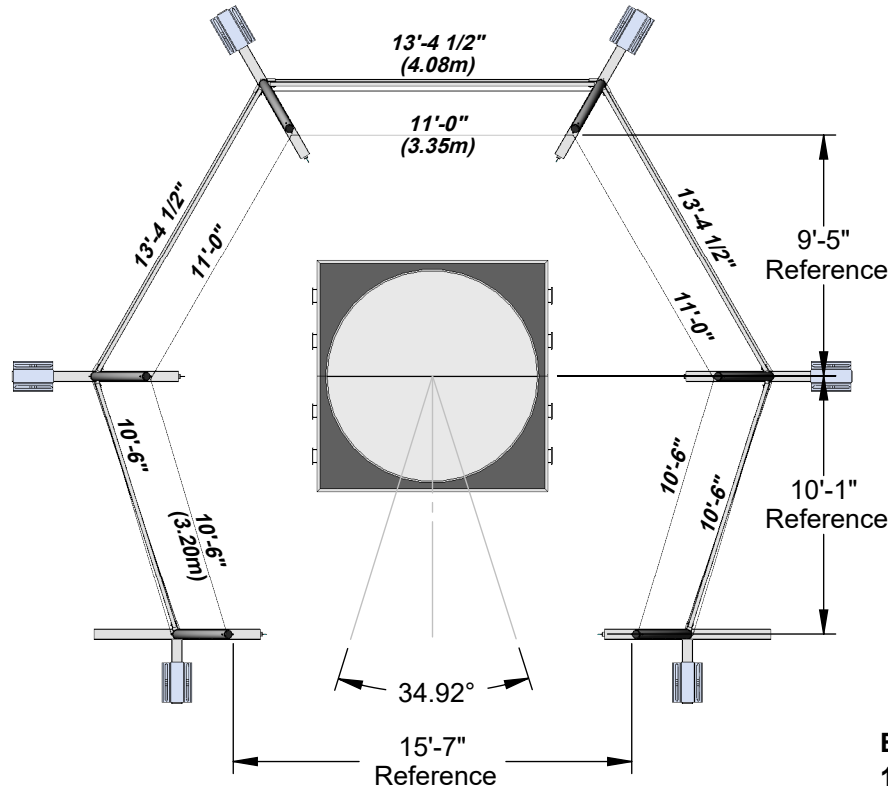


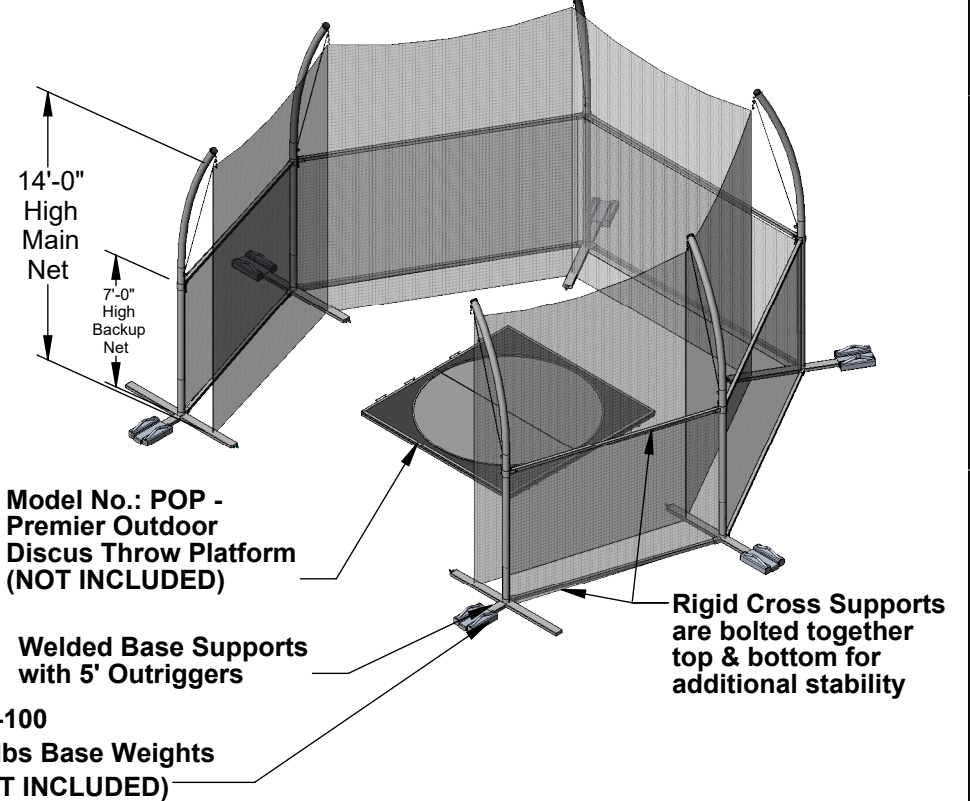
AAE Model: HSDC-P

HSDC-P - Portable High School Discus Cage

Specifications & Standard Features



HSDC-P Uprights (6ea.)
 Ø 4"x.125" wall x 14'-6" high
 with 3' offset; Standard
 HSDC Pulley Assembly for
 raising/lowering net



** Meets & Exceeds All NFHS Rules & Specifications **

Standard Features

- All-Aluminum Construction
- Stainless Steel Hardware
- HSDC-P uni-structure setup configures to 34.92 degree NFHS regulation
- Overall Weight: 525 lbs.
- Includes 14' High Main Net & 7' High Backup Net

Related Products

- POP - Premier Outdoor Platform

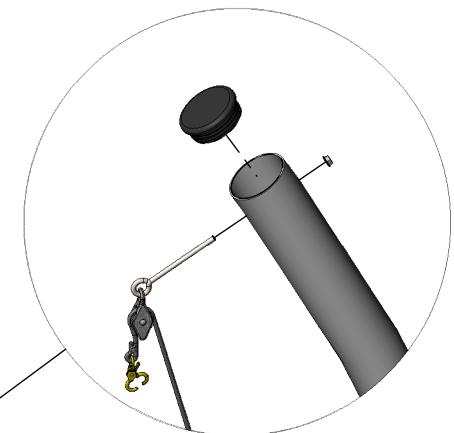
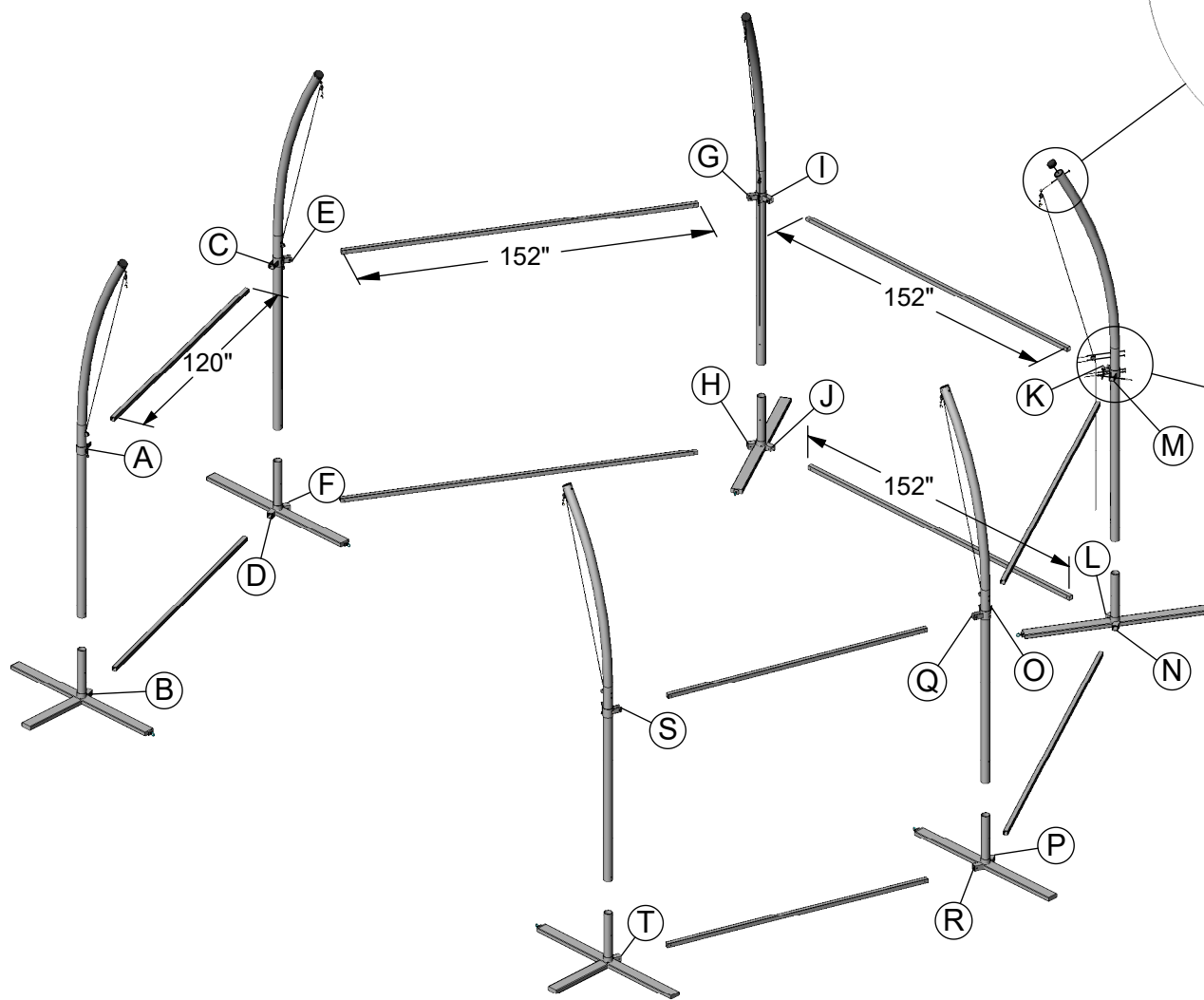


Aluminum Athletic Equipment
 1000 Enterprise Drive, Royersford, PA 19468
 Toll Free: (800) 523-5471 Fax: (610) 825-2378
www.AAEsports.com

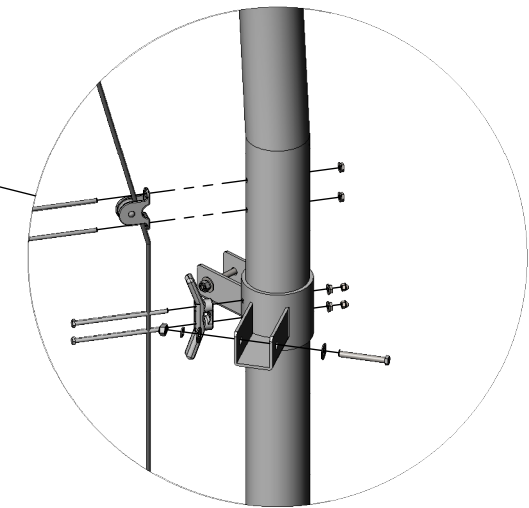
DESCRIPTION: HSDC-P - Portable High School Discus Cage - Specifications		
NOTE: Layout Compliant with 34.92° Sector Rule		
MODEL: HSDC-P	CATEGORY: CUSTOMER	DATE: 07/02/08
DWN. BY: TAD	CAD FILE: HSDC-P - Specifications	DWG. NO. HSDC-P-C-001

HSDC-P - Layout/Assembly

D
C
B
A



DETAIL A
SCALE 1 : 12



DETAIL B
SCALE 1 : 12



Aluminum Athletic Equipment
1000 Enterprise Drive, Royersford, PA 19468
Toll Free: (800) 523-5471 Fax: (610) 825-2378
www.AAEsports.com

DESCRIPTION:		
HSDC-P - Layout/Assembly		
NOTE:		
Portable High School Discus Cage		
MODEL:	CATEGORY:	DATE:
HSDC-P	CUSTOMER	02/17/09
DWN. BY:	CAD FILE:	DWG. NO.:
TAD	HSDC-P - Layout/Assembly	HSDC-P-C-002