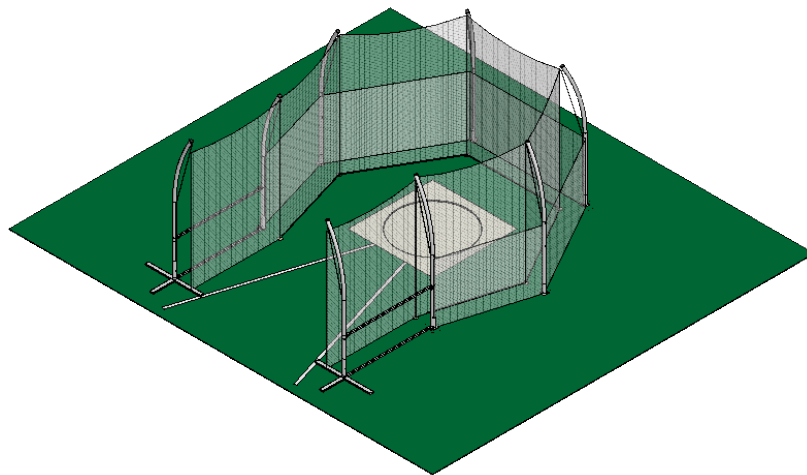


AAE Model No. HSDC-SGE HSDC Swivel Gate Extensions



Aluminum Athletic Equipment
1000 Enterprise Drive, Royersford, PA 19468
Toll Free: (800) 523-5471 Fax: (610) 825-2378
www.AAEsports.com

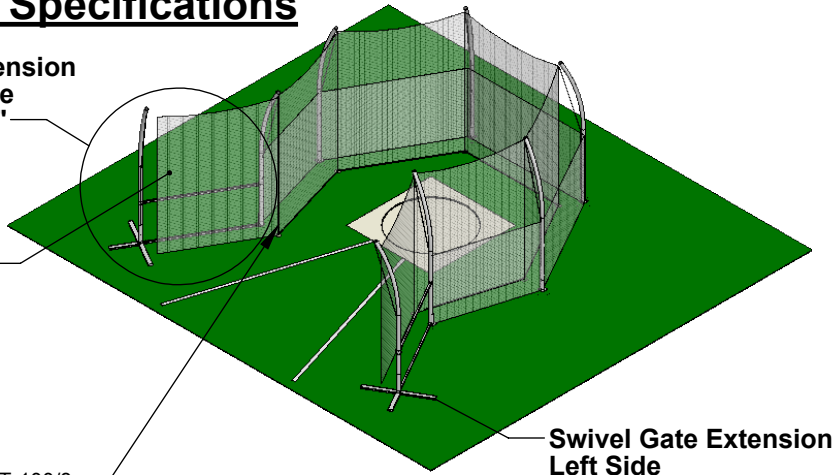
HSDC-SGE Swivel Gate Extensions Layout & Specifications

D

Gate Extension
Right Side
Detail "A"

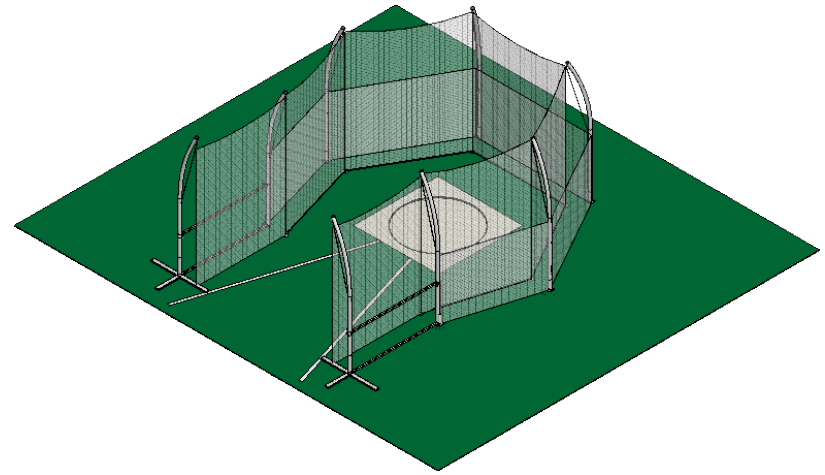
HSDC-SGE Net
#36, 1-3/4"sq.
UV stabilized
knotted nylon
w/ 1/4"DBB MFP
rope border
(Included)

Wire Ties WT-100/8
120# strength uv stabilized, black,
8"lg. used to attach to Main Cage
net border every block, then
trimmed (100 pcs.)
(Included)



**10' Sections
(Open)**

Swivel Gate Extension
Left Side

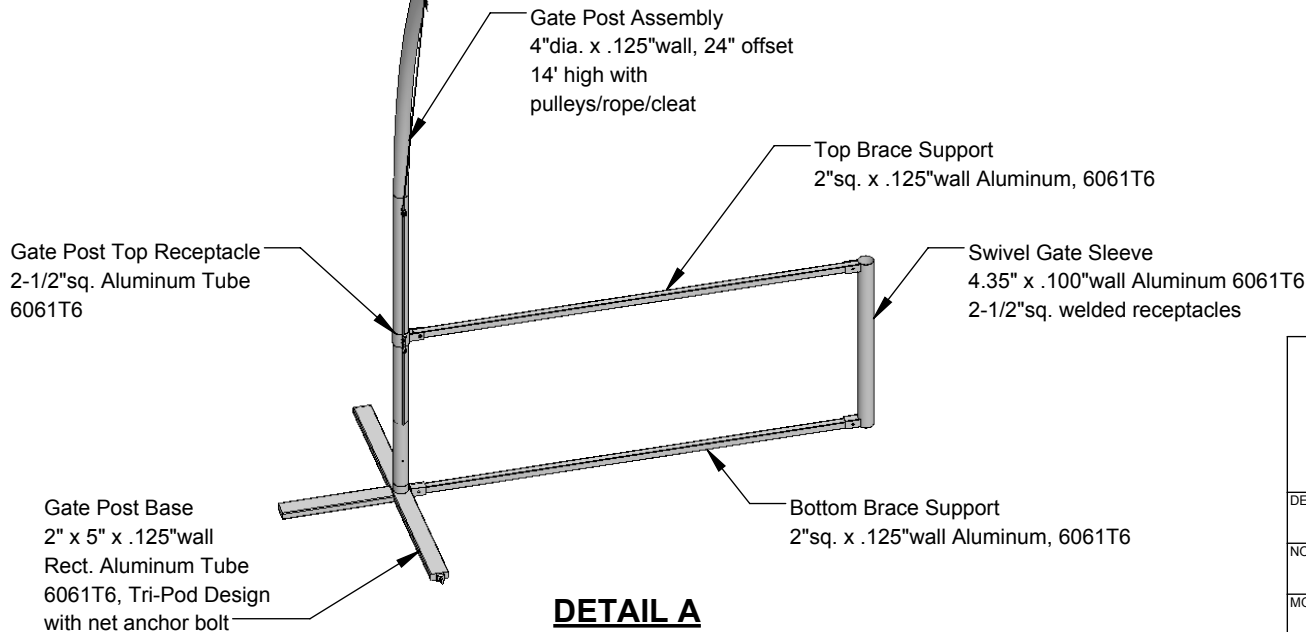


**10' Sections
(Positioned w/ 34.92degree Sector Line)**


C

B

A



**DETAIL A
SCALE 1 : 50**



Aluminum Athletic Equipment
1000 Enterprise Drive, Royersford, PA 19468
Toll Free: (800) 523-5471 Fax: (610) 825-2378
www.AAEsports.com

DESCRIPTION: HSDC-SGE - Swivel Gate Extensions - Layout & Specs		
NOTE: Add Left/Right or Both to any HSDC cage		
MODEL: HSDC-SGE	CATEGORY: CUSTOMER	DATE: 2/18/10
DWN. BY: TAD	CAD FILE: HSDC-SGE Layout & Specs	DWG. NO. HSDC-SGE-C-001

6

5

4

3

2

1